

IPTCITM

BEARINGS

KEEPING YOUR WORLD TURNING

MOUNTED BEARING UNITS
CATALOG: SERIES IX

IPTCI Bearings is a premium product line of Solve Industrial Motion Group – a leading provider of high-quality power transmission components and bearings. Our commitment is to earn your business as the industry’s most trusted supplier.

Superior Product Availability

Solve provides complete coverage of Metric and American Standard sizes, with a comprehensive product catalog of 50,000+ bearings and power transmission components. With the Solve Express™ program, you’ll have the parts you need ASAP, with same-day delivery available on many critical products.

Quality + Performance + Price

Our highly honed supply chain has been forged and tempered with demanding quality assurance programs to ensure that our products perform under the most demanding conditions. Better yet, that performance always comes at a fair price — the Solve Sweet Spot™ provides the perfect blend of performance and value.

The Solve Difference

Expertise You Can Rely On

With Solve, you can count on responsive, knowledgeable technical support and extensive engineering capabilities earned from more than 50 years of experience solving bearing and power transmission challenges. For really tough problems, we can custom engineer and manufacture bearings and components to fit virtually any need.

Attentive Service From People You Trust

The strength of our product catalog is complemented by our unparalleled commitment to customer service. Solve 360 Service™ gives you 24/7 access to our team of highly trained technical support professionals — with an average 20+ years of experience — who will always go the extra mile to get you what you need, when you need it.

Solve 360 Service™

This is our commitment to meet your bearing and power transmission needs with one call. When you need help keeping your operation running smoothly, we have experts standing by.



Round-the-clock call-in support 800-763-4434.



Guidance from professionals who have actively worked in the industry, not an answering service reading from a handbook.



20+ years average industry experience of inside sales staff.



Rapid shipping of replacement parts or other components upon request — including Solve Express™ same-day shipping.

Index

STANDARD PRODUCTS

UCP	Pillow Blocks	6
NAP	Pillow Blocks	7
UCPL	Pillow Blocks	8
NAPL	Pillow Blocks	9
SBP	Pillow Blocks	10
SBPL	Pillow Blocks	10
SAP	Pillow Blocks	11
SAPL	Pillow Blocks	12
UCPX	Pillow Blocks	13
SBLP	Pillow Blocks	14
SALP	Pillow Blocks	14
UCPA	Tapped Base Pillow Blocks	15
NAPA	Tapped Base Pillow Blocks	16
SBPA	Tapped Base Pillow Blocks	17
SAPA	Tapped Base Pillow Blocks	17
UCF	4-Bolt Flanges	18
NANF	4-Bolt Flanges	19
SBF	4-Bolt Flanges	20
SAF	4-Bolt Flanges	21
UCFX	4-Bolt Flanges	22
SBRFB	3-Bolt Flanges	23
SARFB	3-Bolt Flanges	23
UCFL	2-Bolt Flanges	24
NANFL	2-Bolt Flanges	25
SBFL	2-Bolt Flanges	26
SAFL	2-Bolt Flanges	26
UCFLX	2-Bolt Flanges	27
SAMS	2-Bolt Flanges	27
SBLF H4	2-Bolt Flanges	28
SALF H4	2-Bolt Flanges	28
SBLF	2-Bolt Flanges	29
SALF	2-Bolt Flanges	29
UCFB	3-Bolt Flange Brackets	30
UCHA	Hanger Units	31
UCFCS	4-Bolt Piloted Flanges	32
UCFCF	4-Bolt Piloted Flanges	33
UCFCX	4-Bolt Piloted Flanges	34
UCFC	4-Bolt Piloted Flanges	35
UCT	Take Up Units	36
NAT	Take Up Units	37
UCTRS	Take Up Units	38
UCTX	Take Up Units	39
UC	Bearing Inserts	40
UCW	Bearing Inserts	40
NA	Bearing Inserts	41
NAW	Bearing Inserts	41
UCX	Bearing Inserts	42
ER	Bearing Inserts	43
SB	Bearing Inserts	44
CSB	Bearing Inserts	44
SA	Bearing Inserts	45
CSA	Bearing Inserts	45
HUC	High Temp Bearings	46

CORROSION RESISTANT PRODUCTS

Corrosion Resistant Bearing Inserts	47	
Corrosion Resistant Housings	48	
SUCSP	Pillow Blocks	49
SNASP	Pillow Blocks	49
SUCSF	4-Bolt Flanges	50
SNASF	4-Bolt Flanges	50
SUCSFL	2-Bolt Flanges	51
SNASFL	2-Bolt Flanges	51
SSBSLF	2-Bolt Flanges	52
SSBSRFB	3-Bolt Flanges	52
SUCSFCS	Piloted Flanges	53
SUCSFB	3-Bolt Flange Brackets	53
SUCSPA	Tapped Base Pillow Blocks	54
SUCSHA	Hanger Units	54

CORROSION RESISTANT PRODUCTS (continued)

SUCSTRS	Take Up Units-Narrow Slot	55
SUCST	Take Up Units-Wide Slot	55
SUCSOPA	Tapped Base Pillow Blocks	56
SUCSOF	4-Bolt Flange	56
SUCSOFL	2-Bolt Flange	57
SUCSOFB	3-Bolt Flange Bracket	57
SUCSPX	Pillow Block	58
SUCSFX	4-Bolt Flange	58
SUCSFLX	2-Bolt Flange	59
SUCSTX	Take Up Units-Wide Slot	59
SUCSFCSX	4-Bolt Piloted Flange	59
SUCTP	Pillow Blocks	60
CUCTP	Pillow Blocks	60
BUCTP	Pillow Blocks	60
SNATP	Pillow Blocks	61
SUCTF	4-Bolt Flanges	62
CUCTF	4-Bolt Flanges	62
BUCTF	4-Bolt Flanges	62
SNATF	4-Bolt Flanges	63
SUCTFL	2-Bolt Flanges	64
CUCTFL	2-Bolt Flanges	64
BUCTFL	2-Bolt Flanges	64
SNATFL	2-Bolt Flanges	65
SUCTPA	Tapped Base Pillow Blocks	66
CUCTPA	Tapped Base Pillow Blocks	66
BUCTPA	Tapped Base Pillow Blocks	66
SUCTFB	3-Bolt Flanges	67
CUCTFB	3-Bolt Flanges	67
BUCTFB	3-Bolt Flanges	67
SUCNPP	Pillow Blocks	68
CUCNPP	Pillow Blocks	68
BUCNPP	Pillow Blocks	69
SUCNPPA	Tapped Base Pillow Blocks	70
CUCNPPA	Tapped Base Pillow Blocks	70
BUCNPPA	Tapped Base Pillow Blocks	71
SUCNPF	4-Bolt Flanges	72
CUCNPF	4-Bolt Flanges	72
BUCNPF	4-Bolt Flanges	73
SUCNPFL	2-Bolt Flanges	74
CUCNPFL	2-Bolt Flanges	74
BUCNPFL	2-Bolt Flanges	75
SUCNPT	Take Up Units-Wide Slot	76
CUCNPT	Take Up Units-Wide Slot	76
BUCNPT	Take Up Units-Wide Slot	77
SUCNPTRS	Take Up Units-Narrow Slot	78
CUCNPTRS	Take Up Units-Narrow Slot	78
BUCNPTRS	Take Up Units-Narrow Slot	78
SUCNPFB	3-Bolt Flanges	79
CUCNPFB	3-Bolt Flanges	79
BUCNPFB	3-Bolt Flanges	79
SUCNPHA	Hanger Units	80
CUCNPHA	Hanger Units	80
BUCNPHA	Hanger Units	81
SUCNPFC	4-Bolt Piloted Flanges	82
CUCNPFC	4-Bolt Piloted Flanges	82
BUCNPFC	4-Bolt Piloted Flanges	83
SUC	Bearing Inserts	84
SUCX	Bearing Inserts	85
SNA	Bearing Inserts	85
CUC	Bearing Inserts	86
SSER	Bearing Inserts	87
SSB	Bearing Inserts	88
BUC	Bearing Inserts	89

TECHNICAL DATA

Housings	90
General Information	91-94
Interchange	95

IP69K SERIES

New IP69K Series bearings stand up to dust, liquids and harsh cleaning chemicals.

IPTCI[™]

B E A R I N G S

Engineered to stand up to the most rigorous operating conditions — including high-pressure caustic washdowns and other cleaning and sanitizing procedures — the new IPTCI® IP69K Series is a massive leap forward in safety, reliability and sealing effectiveness.

The IP69K Series is ideal for food manufacturers, poultry and meat processors, pharmaceutical manufacturers, bottling companies, canning operations, car washes — any environment where bearings are subject to close-range, high-temperature, high-pressure caustic washdowns and frequent temporary submersions.



The IP69K Standard

IP: Ingress Protection rating.

FIRST DIGIT: Protection against solids. “6” means dust tight; no ingress of dust.

SECOND DIGIT: Protection against liquids. “9K” means protection against close-range, high-pressure, high-temperature washdowns and steam cleaning.

PRODUCT RANGE

SIZES: 201 – 210 (1/2" to 2"; 20mm to 50mm).
Larger sizes available upon request.

CONFIGURATIONS: Available in all major housing configurations (including Stand-Off Series).

NOMENCLATURE: SUC 205 16 IP69K

IP69K SERIES

- Unique triple-lip molded rubber composition provides superior protection against dust and liquid intrusion.
- “Lubed for life” with H-1 food-grade grease to eliminate lube holes, grease zerks, and other potential areas of intrusion.
- High-quality, corrosion-resistant stainless steel construction extends the life of the bearing.
- From an industry leader in mounted bearings and mechanical power-transmission components.
- No external seals or covers required.
- Specify IPTCI’s IP69K Series for your most challenging applications. Dustproof. Waterproof. Hassleproof.

MOUNTED BALL BEARINGS

Solve proudly offers a full line of IPTCI standard and medium-duty housings and ball bearing inserts to meet your application. Keep your operation running with in-stock sizes from 1/2" to 4" bore, in both set screw or locking collar options. Whatever your requirement, Solve has you covered with IPTCI bearings.

Housing Styles



2-Bolt Flange



3-Bolt Flange



3-Bolt Flange Bracket



4-Bolt Flange



Piloted 4-Bolt Flange



Tapped Base



Pillow Block



Hanger Unit



Take-Up Unit

Housing Materials



Standard



Stainless Steel



Nickel Plated



Thermoplastic

Corrosion-Resistant Stand-Off Series Housing Styles

Stand-Off Series mounted bearing units significantly reduce areas for bacterial growth, helping to minimize the potential for product contamination and the needless costs associated with it.



2-Bolt Flange



4-Bolt Flange



3-Bolt Flange Bracket

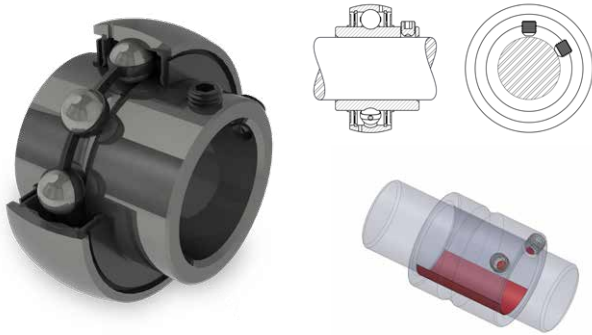


Tapped Base

LOCKING MECHANISMS

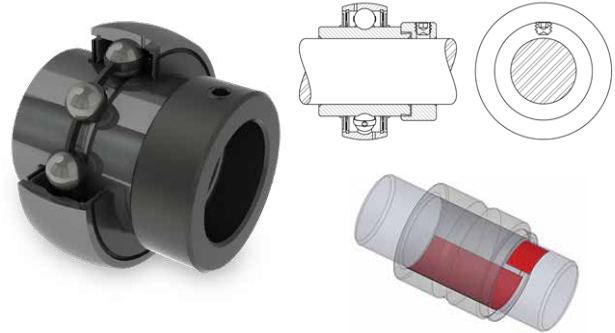
As one of the only bearing manufacturers to offer all four styles of locking mechanisms, Solve can help customers with even the most demanding shaft attachment applications.

Setscrew



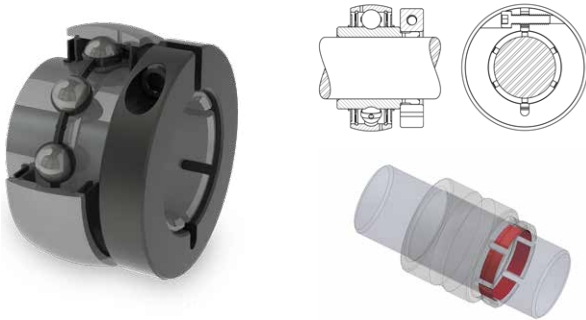
Economical, simple, general purpose.

Eccentric Collar



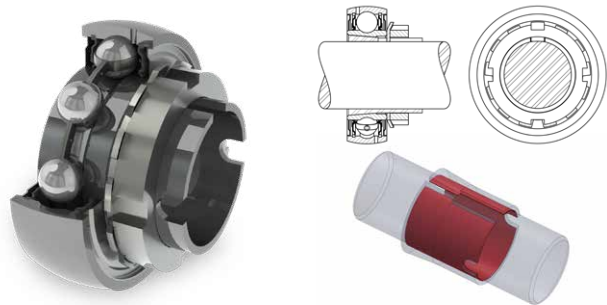
Economical, simple, general purpose; suitable for uni-directional use.

Concentric Collar



Improved balance for higher speeds and increased wear resistance.

Adapter Mount



Offers least amount of vibration and most concentric grip to shaft; best for high speeds.



Custom Solutions

Triple Lip Seal option available for additional protection from contaminants and moisture on select setscrew and eccentric inserts.

High Temperature (HT)/Extra-High Temperature (XHT) Bearing Inserts

High Temperature and Extra-High Temperature Ball Bearings Inserts will operate at higher temperatures than standard bearing units and can be installed in any of our European or American Standard housing types.



Features

- Stainless Steel shields and high-temperature silicon seals provide protection from elevated temperatures and corrosive environments up to 280°C (536°F).
- Steel ball retainers (cages) can handle high temperatures and will not become brittle like polyamide or glass fiber cages.
- High-temp lubricant rated for 260°C (500°F) and Food Grade Duty is our standard. Other lubricants, such as solid lubricants, available upon request.

Corrosion-Resistant Insert Types

All IPTCI corrosion-resistant bearing inserts use high-quality H1 Food Grade grease that is water resistant to reduce washout while also avoiding product contamination for food and beverage applications.



Stainless Steel — Setscrew
(SUC, SSB)



Stainless Steel — Eccentric
Collar (SNA)



Black Oxide
(BUC)



Hard Chrome Coated
(CUC)

End Covers

End Covers provide another layer of protection for the inside of the bearing during wash downs to extend bearing life.

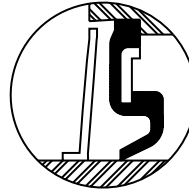


Stainless Steel End Cover

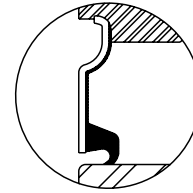


Thermoplastic End Cover

Insert Seal Options



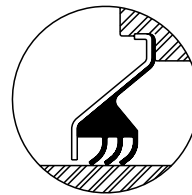
B-type



K-type

Single Lip Seals

Single Lip seals are an economical choice to provide basic protection for a bearing. A nitrile rubber seal and slinger help keep lubricant inside the bearing and contaminants out. Also available with a silicone seal and stainless steel slinger for improved protection.



Triple Lip (L3) Seals

Triple Lip (or L3) sealed bearings provide more protection in harsh environments. They are often an ideal choice for dirty, high-moisture applications such as those found in agriculture, turf, and car washes. From 3/4" to 3" bore, and metric sizes 20mm to 60mm, Solve's L3 inserts are available in a wide range of styles and in setscrew locking or eccentric locking collar.



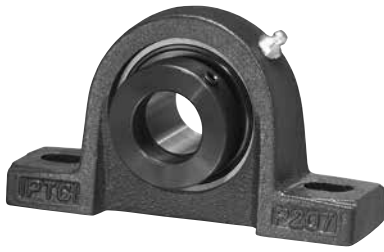
IP69K Seals

IP69K Series bearings are ideal for food manufacturers, poultry and meat processors, pharmaceutical manufacturers, bottling companies, canning operations, and car washes. IP69K Seals provide increased bearing life and reduced downtime in any environment where bearings are subject to close-range, high-temperature, high-pressure caustic washdowns and frequent temporary submersions.

A unique triple-lip molded rubber composition provides superior protection against dust and liquid intrusion without the need for external seals or covers.

IP69K series bearings are "lubed for life" with H1 Food Grade grease to eliminate lube holes, grease zerks, and other potential areas of intrusion.

NAP PILLOW BLOCKS



Seal Options



B-type

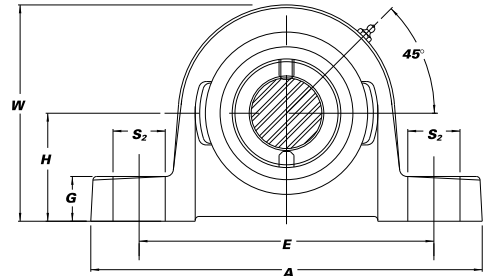
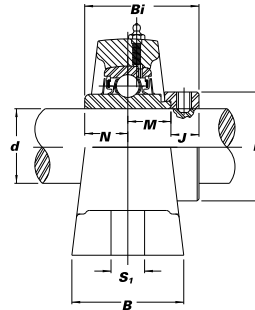


L3-type*

*Call for speed tolerances and available sizes

High shaft height with eccentric locking collar.

- » Cast iron housing
- » Wide inner race bearing



Unit No.	Shaft Dia.		Dimensions (in.) (mm)													Bolt Used (in.)	Bearing No.	Housing No.	Weight (lbs.)	
	d (in.)	d (mm)	H	A	E	B	S ₂	S ₁	G	W	Bi	N	M	J	K					
NAP 201		12																NAW201		
201-8	1/2																	201-8		
202		15	1 3/16	4 7/8	3 5/8	1 7/16	3/4	7/16	1 7/32	2 23/64	1.4685	0.5472	0.5472	0.3740	1.1260	3/8	202	P 203	1.6	
202-10	5/8		30.2	124	92	37	19	11	13	60	37.3	13.9	13.9	9.5	28.6		202-10			
203		17															203			
NAP 204-12	3/4																NA 204-12	P 204	1.7	
204		20	1 5/16	5	3 3/4	1 1/2	1 1/16	7/16	9/16	2 19/32	1.7126	0.6693	0.6693	0.3740	1.3110	3/8	204			
NAP 205-14	7/8																NA 205-14			
205-15	1 5/16																205-15	P 205	2.1	
205		25	1 7/16	5 1/2	4 1/8	1 1/2	1 1/16	1/2	5/8	2 29/32	1.7441	0.6850	0.6850	0.3740	1.5000	3/8	205			
205-16	1		36.5	140	105	38	17	13	16	72	44.3	17.4	17.4	9.5	38.1		205-16			
NAP 206-17	1 1/16																NA 206-17			
206-18	1 1/8																206-18	P 206	3.1	
206		30	1 11/16*	6 5/16	4 3/4	1 3/4	1 3/16	9/16	1 1/16	3 19/64	1.9016	0.7165	0.7165	0.4685	1.7520	1/2	206			
206-19	1 3/16		42.9	160	121	44	21	14	18	84	48.3	18.2	18.2	11.9	44.5		206-19			
206-20	1 1/4 S																206-20			
NAP 207-20	1 1/4																NA 207-20			
207-21	1 5/16																207-21			
207-22	1 3/8																207-22	P 207	4.2	
207		35	1 7/8	6 17/32	5	1 29/32	7/8	9/16	3/4	3 11/16	2.0118	0.7402	0.7402	0.5315	2.1890	1/2	207			
207-23	1 7/16		47.6	166	127	48	22	14	19	94	51.1	18.8	18.8	13.5	55.6		207-23			
NAP 208-24	1 1/2																NA 208-24			
208-25	1 9/16																208-25	P 208	5.3	
208		40	1 15/16**	7 1/8	5 7/16	2	7/8	9/16	1 3/16	4	2.2165	0.8425	0.8425	0.5315	2.3740	1/2	208			
NAP 209-26	1 5/8																NA 209-26			
209-27	1 11/16																209-27	P 209	6.1	
209-28	1 3/4																209-28			
209		45	2 1/8	7 1/2	5 3/4	2 1/8	1 3/16	1 9/32	7/8	4 17/64	2.2165	0.8425	0.8425	0.5315	2.5000	1/2	209			
NAP 210-30	1 7/8																NA 210-30			
210-31	1 5/16																210-31	P 210	7.2	
210		50	2 1/4	8	6 1/4	2 1/4	1 5/16	2 3/32	1 5/16	4 33/64	2.4685	0.9685	0.9685	0.5315	2.7520	5/8	210			
210-32	2 S		57.2	203	159	57	24	18	24	115	62.7	24.6	24.6	13.5	69.9		210-32			
NAP 211-32	2																NA 211-32			
211-34	2 1/8																211-34	P 211	9.4	
211		55	2 1/2	8 5/8	6 7/8	2 3/8	1 5/16	2 3/32	1 1/16	5 1/32	2.8110	1.0905	1.0905	0.6300	3.0000	5/8	211			
211-35	2 3/16		63.5	220	174	60	24	18	27	128	71.4	27.7	27.7	16.0	76.2		211-35			
NAP 212-36	2 1/4																NA 212-36			
212		60	2 3/4	9 17/32	7 11/32	2 1/2	1	2 5/32	1 1/16	5 33/64	3.0630	1.2165	1.2165	0.6300	3.3150	5/8	212	P 212	11.9	
212-38	2 3/8		69.8	242	187	64	25.4	20	27	140	77.8	30.9	30.9	16.0	84.2		212-38			
212-39	2 7/16																212-39			
NAP 213-40	2 1/2																NA 213-40			
213		65	3	10 3/4	8 1/8	2 11/16	1 3/16	1 3/16	1 1/8	6 1/32	3.3740	1.3425	1.3425	0.6890	3.3858	7/8	213	P 213	14.0	
NAP 215-47	2 5/16																NA 215-47			
215		75	3 1/4	10 9/16	8 1/2	2 15/16	1 1/4	1	1 1/8	6 29/64	3.6260	1.4685	1.4685	0.6890	4.0157	7/8	215	P 215	18.3	
215-48	3		82.6	275	217	75	31	25.4	29	166	92.1	37.3	37.3	17.5	102.0		215-48			

Interchange Page 95 *Also available 1 5/8" **Also available 2 1/8"



Seal Options



B-type

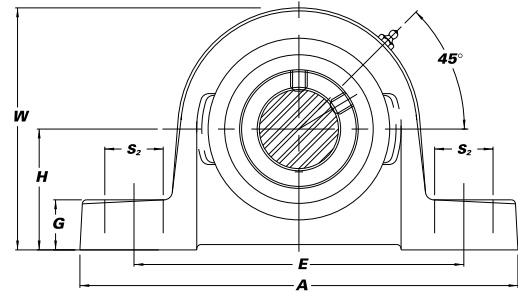
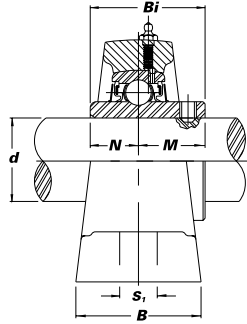


L3-type*

*Call for speed tolerances and available sizes

Low shaft height with set screw lock.

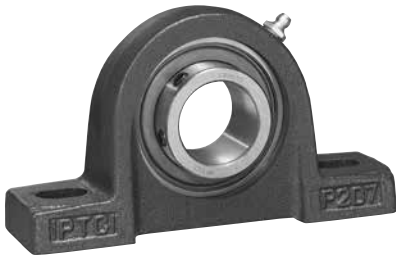
- » Cast iron housing
- » Wide inner race bearing



Unit No.	Shaft Dia.		Dimensions (in. (mm))										Bolt Used (in.)	Bearing No.	Housing No.	Weight (lbs.)			
	d (in.)	d (mm)	H	A	E	B	S ₂	S ₁	G	W	Bi	N					M		
UCPL 201		12															UCW201		
201-8	1/2	15	1 1/16	4 7/8	3 5/8	1 7/16	3/4	7/16	1 7/32	2 15/64	1.0236	0.3937	0.6299	3/8	201-8	PL 203	1.4		
202			27	124	92	37	19	11	13	57	26.0	10.0	16.0		202				
202-10	5/8	17													202-10				
203															203				
UCPL 204-12	3/4	20	1 1/4	5	3 3/4	1 1/2	9/16	7/16	9/16	2 1/2	1.2205	0.5000	0.7205	3/8	UC 204-12	PL 204	1.6		
204			31.8	127	95	38	14	11	14	64	31.0	12.7	18.3		204				
UCPL 205-14	7/8	25	1 5/16	5 1/2	4 1/8	1 1/2	1 1/16	7/16	5/8	2 45/64	1.3386	0.5630	0.7756	3/8	UC 205-14	PL 205	1.9		
205-15	15/16		33.3	140	105	38	18	11	16	69	34.0	14.3	19.7		205				
205															205				
205-16	1														205-16				
UCPL 206-17	1 1/16	30	1 9/16	6 11/32	4 3/4	1 3/4	1 3/16	9/16	1 1/16	3 5/32	1.5000	0.6260	0.8740	1/2	UC 206-17	PL 206	2.9		
206-18	1 1/8		39.7	161	121	45	21	14	18	80	38.1	15.9	22.2		206				
206															206				
206-19	1 3/16														206-19				
206-20	1 1/4 S														206-20				
UCPL 207-20	1 1/4	35	1 13/16	6 19/32	5	1 7/8	7/8	9/16	2 5/32	3 21/32	1.6890	0.6890	1.0000	1/2	UC 207-20	PL 207	3.9		
207-21	1 3/8		46.0	167	127	48	22	14	20	93	42.9	17.5	25.4		207-21				
207-22	1 3/8														207-22				
207															207				
207-23	1 7/16														207-23				
UCPL 208-24	1 1/2	40	1 15/16	7 1/8	5 7/16	2	7/8	9/16	1 3/16	4	1.9370	0.7480	1.1890	1/2	UC 208-24	P 208	5.0		
208-25	1 9/16		49.2	181	137	51	22	14	21	102	49.2	19.0	30.2		208-25				
208															208				
UCPL 209-26	1 5/8	45	2 1/16	7 1/2	5 3/4	2 1/8	1 3/16	9/16	2 9/32	4 7/32	1.9370	0.7480	1.1890	1/2	UC 209-26	PL 209	5.7		
209-27	1 11/16		52.4	191	146	54	20	14	23	107	49.2	19.0	30.2		209-27				
209-28	1 3/4														209-28				
209															209				
UCPL 210-30	1 7/8	50	2 3/16	8 1/32	6 1/4	2 1/4	1 5/16	1 1/16	2 9/32	4 29/64	2.0315	0.7480	1.2835	5/8	UC 210-30	PL 210	6.6		
210-31	1 15/16		55.6	204	159	57	24	18	23	113	51.6	19.0	32.6		210-31				
210															210				
210-32	2 S														210-32				
UCPL 211-32	2	55	2 7/16	8 5/8	7	2 3/8	1 5/16	1 1/16	1	4 81/64	2.1890	0.8740	1.3150	5/8	UC 211-32	PL 211	8.7		
211-34	2 1/8		61.9	219	178	60	24	18	25.4	126	55.6	22.2	33.4		211-34				
211															211				
211-35	2 3/16														211-35				
UCPL 212-36	2 1/4	60	2 11/16	9 7/16	7 3/8	2 1/2	1	1 1/16	1 1/32	5 13/32	2.5630	1.0000	1.5630	5/8	UC 212-36	PL 212	10.9		
212			68.3	240	187	63	25.4	18	26.5	137	65.1	25.4	39.7		212				
212-38	2 3/8														212-38				
212-39	2 1/16														212-39				
UCPL 213-40	2 1/2	65	2 11/16	9 3/4	7 5/8	2 3/4	1 1/8	1 1/16	1 1/8	5 7/16	2.5630	1.0000	1.5630	5/8	UC 213-40	PL 213	13.9		
213			68.3	248	194	70	29	18	29	138	65.1	25.4	39.7		213				
UCPL 215-47	2 15/16	75	3 1/4	10 19/16	8 1/2	2 15/16	1 1/4	1	1 1/8	6 33/64	3.0630	1.3110	1.7520	7/8	UC 215-47	P 215	17.0		
215			82.6	275	217	75	31	25.4	29	166	77.8	33.3	44.5		215				
215-48	3														215-48				

Interchange Page 95

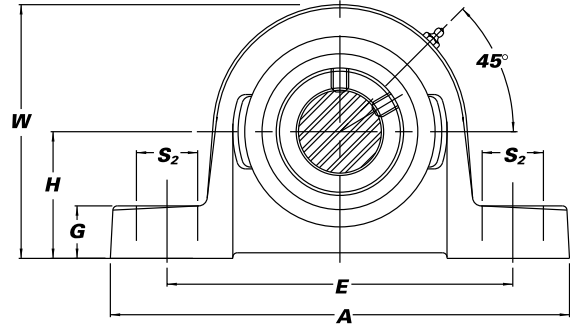
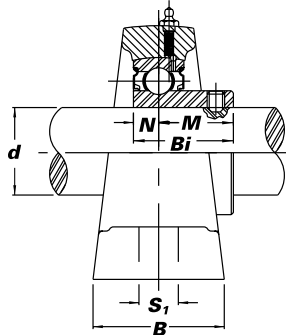
SBP & SBPL PILLOW BLOCKS



Seal Options



- » Cast iron housing
- » Narrow inner race bearing with set screw lock



Unit No.	Shaft Dia.		Dimensions (in.) (mm)											Bolt Used (in.)	Bearing No.	Housing No.	Weight (lbs.)
	d (in.)	d (mm)	H	A	E	B	S ₂	S ₁	G	W	Bi	N	M				

SBP High shaft height

SBP 201		12															SB 201G		
201-8	1/2	15	1 3/16	4 7/8	3 5/8	17/16	3/4	7/16	17/32	2 23/64	0.8661	0.2362	0.6299	3/8			201-8G		
202		15	30.2	124	92	37	19	11	13	60	22.0	6.0	16.0				202G	P 203	1.4
202-10	5/8	17															202-10G		
203		17															203G		
SBP 204-12	3/4	20	1 5/16	5	3 3/4	1 1/2	11/16	7/16	9/16	2 19/32	0.9843	0.2756	0.7087	3/8			SB 204-12G	P 204	1.6
204		20	33.3	127	95	38	17	11	14	66	25.0	7.0	18.0				204G		
SBP 205-14	7/8	25	1 7/16	5 1/2	4 1/8	1 1/2	11/16	1/2	5/8	2 27/32	1.0630	0.2953	0.7677	3/8			SB 205-14G		
205-15	15/16	25	36.5	140	105	38	17	13	16	72	27.0	7.5	19.5				205-15G	P 205	1.9
205		25															205G		
205-16	1	25															205-16G		
SBP 206-17	1 1/16	30	1 11/16*	6 5/16	4 3/4	1 3/4	13/16	9/16	11/16	3 19/64	1.1811	0.3150	0.8661	1/2			SB 206-17G		
206-18	1 1/8	30	42.9	160	121	44	21	14	18	84	30.0	8.0	22.0				206-18G	P 206	2.8
206		30															206G		
206-19	1 3/16	30															206-19G		
206-20	1 1/4S	30															206-20G		
SBP 207-20	1 1/4	35															SB 207-20G		
207-21	1 5/16	35	1 7/8	6 17/32	5	1 29/32	7/8	9/16	3/4	3 11/16	1.2992	0.3740	0.9252	1/2			207-21G	P 207	3.7
207-22	1 3/8	35	47.6	166	127	48	22	14	19	94	33.0	9.5	23.5				207-22G		
207		35															207G		
207-23	1 7/16	35															207-23G		
SBP 208-24	1 1/2	40	1 15/16**	7 1/8	5 7/16	2	7/8	9/16	13/16	4	1.4173	0.4331	0.9843	1/2			SB 208-24G	P 208	4.9
208		40	49.2	181	137	51	22	14	21	102	36.0	11.0	25.0				208G		

SBPL Low shaft height

SBPL 201		12															SB 201G		
201-8	1/2	15	1 1/16	4 7/8	3 5/8	1 7/16	3/4	7/16	17/32	2 15/64	0.8661	0.2362	0.6299	3/8			201-8G		
202		15	27	124	92	37	19	11	13	57	22.0	6.0	16.0				202G	PL 203	1.3
202-10	5/8	17															202-10G		
203		17															203G		
SBPL 204-12	3/4	20	1 1/4	5	3 3/4	1 1/2	9/16	7/16	9/16	2 1/2	0.9843	0.2756	0.7087	3/8			SB 204-12G	PL 204	1.5
204		20	31.8	127	95	38	14	11	14	64	25.0	7.0	18.0				204G		
SBPL 205-14	7/8	25	1 5/16	5 1/2	4 1/8	1 1/2	11/16	7/16	5/8	2 49/64	1.0630	0.2953	0.7677	3/8			SB 205-14G		
205-15	15/16	25	33.3	140	105	38	18	11	16	69	27.0	7.5	19.5				205-15G	PL 205	1.8
205		25															205G		
205-16	1	25															205-16G		
SBPL 206-17	1 1/16	30	1 9/16	6 11/32	4 3/4	1 3/4	13/16	9/16	11/16	3 3/32	1.1811	0.3150	0.8661	1/2			SB 206-17G		
206-18	1 1/8	30	39.7	161	121	45	21	14	18	80	30.0	8.0	22.0				206-18G	PL 206	2.8
206		30															206G		
206-19	1 3/16	30															206-19G		
206-20	1 1/4S	30															206-20G		
SBPL 207-20	1 1/4	35															SB 207-20G		
207-21	1 5/16	35	1 13/16	6 19/32	5	1 7/8	7/8	9/16	25/32	3 21/32	1.2992	0.3740	0.9252	1/2			207-21G	PL 207	3.6
207-22	1 3/8	35	46.0	167	127	48	22	14	20	93	33.0	9.5	23.5				207-22G		
207		35															207G		
207-23	1 7/16	35															207-23G		
SBPL 208-24	1 1/2	40	1 15/16	7 1/8	5 7/16	2	7/8	9/16	13/16	4	1.4173	0.4331	0.9843	1/2			SB 208-24G	P 208	4.9
208		40	49.2	181	137	51	22	14	21	102	36.0	11.0	25.0				208G		

Interchange Page 95 *Also available 1 5/8" **Also available 2 1/8"

SAP PILLOW BLOCKS

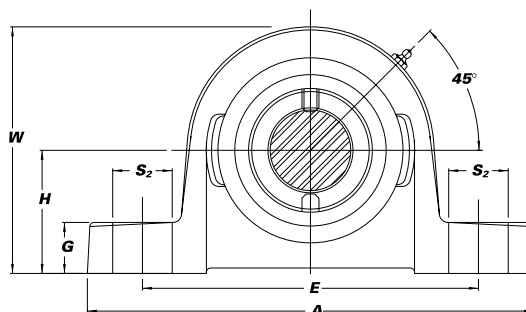
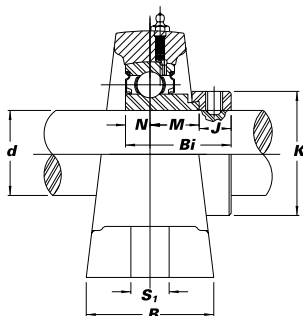


Seal Options



High shaft height with eccentric locking collar.

- » Cast iron housing
- » Narrow inner race bearing



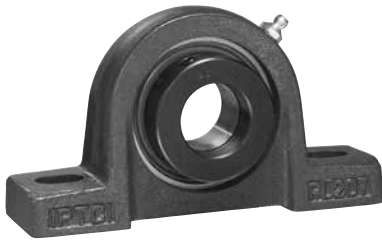
Unit No.	Shaft Dia.		Dimensions (in.) (mm)											Bolt Used (in.)	Bearing No.	Housing No.	Housing Weight (lbs.)			
	d (in.)	d (mm)	H	A	E	B	S ₂	S ₁	G	W	Bi	N	M					J	K	
SAP 201		12																SA 201G		
201-8	1/2	15	13/16	47/8	35/8	17/16	3/4	7/16	17/32	223/64	1.1260	0.2559	0.4960	0.3740	1.1260		3/8	SA 201-8G		
202			30.2	124	92	37	19	11	13	60	28.6	6.5	12.6	9.5	28.6			SA 202G	P 203	1.6
202-10	5/8	17																SA 202-10G		
203																		SA 203G		
SAP 204-12	3/4	20	15/16	5	33/4	11/2	11/16	7/16	9/16	219/32	1.2205	0.2953	0.5512	0.3740	1.3110		3/8	SA 204-12G		
204			33.3	127	95	38	17	11	14	66	31.0	7.5	14.0	9.5	33.3			SA 204G	P 204	1.7
SAP 205-14	7/8	25	17/16	51/2	41/8	11/2	11/16	1/2	5/8	227/32	1.2205	0.2953	0.5513	0.3740	1.5000		3/8	SA 205-14G		
205-15	15/16		36.5	140	105	38	17	13	16	72	31.0	7.5	14.0	9.5	38.1			SA 205-15G		
205																		SA 205G	P 205	2.1
205-16	1																	SA 205-16G		
SAP 206-17	1 1/16	30	1 11/16*	6 5/16	4 3/4	1 3/4	13/16	9/16	11/16	3 19/64	1.4055	0.3543	0.5827	0.4685	1.7520		1/2	SA 206-17G		
206-18	1 1/8		42.9	160	121	44	21	14	18	84	35.7	9.0	14.8	11.9	44.5			SA 206-18G		
206																		SA 206G	P 206	3.0
206-19	1 3/16																	SA 206-19G		
206-20	1 1/4S																	SA 206-20G		
SAP 207-20	1 1/4	35	1 7/8	6 17/32	5	1 29/32	7/8	9/16	3/4	3 11/16	1.5315	0.3740	0.6260	0.5315	2.1890		1/2	SA 207-20G		
207-21	1 5/16		47.6	166	127	48	22	14	19	94	38.9	9.5	15.9	13.5	55.6			SA 207-21G		
207-22	1 3/8																	SA 207-22G		
207																		SA 207G	P 207	4.1
207-23	1 7/16																	SA 207-23G		
SAP 208-24	1 1/2	40	1 15/16**	7 1/8	5 7/16	2	7/8	9/16	13/16	4	1.7205	0.4331	0.7559	0.5315	2.3740		1/2	SA 208-24G		
208-25	1 9/16		49.2	181	137	51	22	14	21	102	43.7	11.0	19.2	13.5	60.3			SA 208-25G		
208																		SA 208G	P 208	5.1
SAP 209-26	1 5/8	45	2 1/8	7 1/2	5 3/4	2 1/8	13/16	19/32	7/8	4 17/64	1.7205	0.4331	0.7559	0.5315	2.5000		1/2	SA 209-26G		
209-27	1 11/16		54.0	190	146	54	21	15	22	109	43.7	11.0	19.2	13.5	63.5			SA 209-27G		
209-28	1 3/4																	SA 209-28G		
209																		SA 209G	P 209	5.9
SAP 210-30	1 7/8	50	2 1/4	8	6 1/4	2 1/4	15/16	23/32	15/16	4 33/64	1.7205	0.4331	0.7559	0.5315	2.7520		5/8	SA 210-30G		
210-31	1 15/16		57.2	203	159	57	24	18	24	115	43.7	11.0	19.2	13.5	69.9			SA 210-31G		
210																		SA 210G	P 210	6.8
210-32	2S																	SA 210-32G		
SAP 211-32	2	55	2 1/2	8 5/8	6 7/8	2 3/8	15/16	23/32	1 1/16	5 1/32	1.9055	1.4724	0.8031	0.6300	3.0000		5/8	SA 211-32G		
211-34	2 1/8		63.5	220	174	60	24	18	27	128	48.4	12.0	20.4	16.0	76.2			SA 211-34G		
211																		SA 211G	P 211	9.0
211-35	2 3/16																	SA 211-35G		

Interchange Page 95

*Also available 1 5/8"

**Also available 2 1/8"

SAPL PILLOW BLOCKS

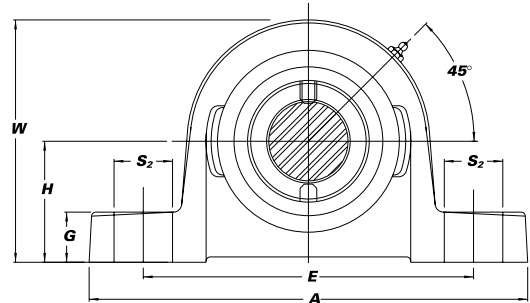
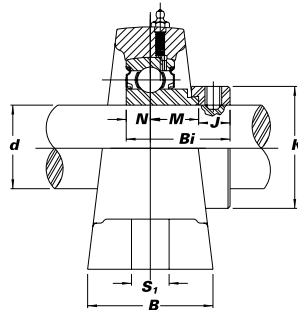


Seal Options



Low shaft height with eccentric locking collar.

- » Cast iron housing
- » Narrow inner race bearing



Unit No.	Shaft Dia.		Dimensions (in.) (mm)													Bolt Used (in.)	Bearing No.	Housing Weight (lbs.)		
	d (in.)	d (mm)	H	A	E	B	S ₂	S ₁	G	W	Bi	N	M	J	K					
SAPL 201		12																SA 201G		
201-8	1/2																	201-8G		
202		15	1 1/16	4 7/8	3 5/8	1 7/16	3/4	7/16	1 7/32	2 15/64	1.1260	0.2559	0.4960	0.3740	1.1260	3/8	202G	PL 203	1.5	
202-10	5/8		27	124	92	37	19	11	13	57	28.6	6.5	12.6	9.5	28.6		202-10G			
203		17															203G			
SAPL 204-12	3/4																SA 204-12G			
204		20	1 1/4	5	3 3/4	1 1/2	9/16	7/16	9/16	2 1/2	1.2205	0.2953	0.5512	0.3740	1.3110	3/8	204G	PL 204	1.7	
SAPL 205-14	7/8																SA 205-14G			
205-15	15/16																205-15G			
205		25	1 5/16	5 1/2	4 1/8	1 1/2	1 1/16	7/16	5/8	2 45/64	1.2205	0.2953	0.5513	0.3740	1.5000	3/8	205G	PL 205	2.0	
205-16	1		33.3	140	105	38	18	11	16	69	31.0	7.5	14.0	9.5	38.1		205-16G			
SAPL 206-17	1 1/16																SA 206-17G			
206-18	1 1/8																206-18G			
206		30	1 9/16	6 11/32	4 3/4	1 3/4	1 3/16	9/16	1 1/16	3 5/32	1.4055	0.3543	0.5827	0.4685	1.7520	1/2	206G	PL 206	3.0	
206-19	1 3/16		39.7	161	121	45	21	14	18	80	35.7	9.0	14.8	11.9	44.5		206-19G			
206-20	1 1/4 S																206-20G			
SAPL 207-20	1 1/4																SA 207-20G			
207-21	1 5/16																207-21G			
207-22	1 3/8																207-22G			
207		35	1 13/16	6 19/32	5	1 7/8	7/8	9/16	2 5/32	3 21/32	1.5315	0.3740	0.6260	0.5315	2.1890	1/2	207G	PL 207	4.0	
207-23	1 7/16		46.0	167	127	48	22	14	20	93	38.9	9.5	15.9	13.5	55.6		207-23G			
SAPL 208-24	1 1/2																SA 208-24G			
208-25	1 9/16																208-25G			
208		40	1 15/16	7 1/8	5 7/16	2	7/8	9/16	1 3/16	4	1.7205	0.4331	0.7559	0.5315	2.3740	1/2	208G	P 208	5.0	
SAPL 209-26	1 5/8																SA 209-26G			
209-27	1 11/16																209-27G			
209-28	1 3/4																209-28G			
209		45	2 1/16	7 1/2	5 3/4	2 1/8	1 3/16	9/16	2 9/32	4 7/32	1.7205	0.4331	0.7559	0.5315	2.5000	1/2	209G	PL 209	6.1	
SAPL 210-30	1 7/8																SA 210-30G			
210-31	1 15/16																210-31G			
210		50	2 3/16	8 1/32	6 1/4	2 1/4	1 5/16	1 1/16	2 9/32	4 29/64	1.7205	0.4331	0.7559	0.5315	2.7520	5/8	210G	PL 210	6.7	
210-32	2 S		55.6	204	159	57	24	18	23	113	43.7	11.0	19.2	13.5	69.9		210-32G			
SAPL 211-32	2																SA 211-32G			
211-34	2 1/8																211-34G			
211		55	2 7/16	8 5/8	7	2 3/8	1 5/16	1 1/16	1	4 61/64	1.9055	0.4724	0.8031	0.6299	3.0000	5/8	211G	PL 211	8.8	
211-35	2 3/16		61.9	219	178	60	24	18	25.4	126	48.4	12.0	20.4	16.0	76.2		211-35G			

Interchange Page 95

UCPX PILLOW BLOCKS

MEDIUM DUTY



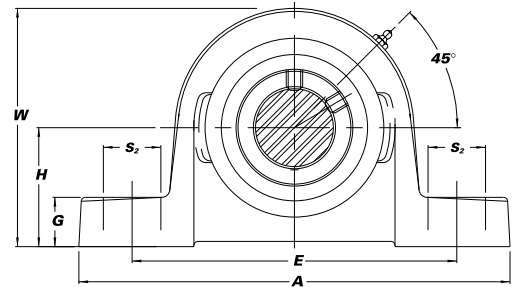
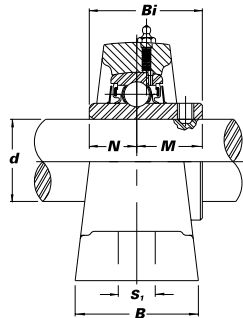
Seal Options



*Call for speed tolerances and available sizes

Set screw lock.

- » Wide inner race bearing with greater load carrying capacity than standard duty
- » Cast iron housing



Unit No.	Shaft Dia.		Dimensions (in.) (mm)										Bolt Used (in.)	Bearing No.	Housing No.	Housing Weight (lbs.)	
	d (in.)	d (mm)	H	A	E	B	S ₂	S ₁	G	W	Bi	N					M
UCP X05-14 X05-15 X05	7/8	25	11 ¹ / ₁₆	6 ⁵ / ₁₆	4 ³ / ₄	1 ³ / ₄	1 ³ / ₁₆	9 ¹ / ₁₆	11 ¹ / ₁₆	3 ¹⁹ / ₆₄	1.5000	0.6260	0.8740	1/2	UC X05-14 X05-15 X05	P X05	3.5
X05-16	1	25	11 ¹ / ₁₆	6 ⁵ / ₁₆	4 ³ / ₄	1 ³ / ₄	1 ³ / ₁₆	9 ¹ / ₁₆	11 ¹ / ₁₆	3 ¹⁹ / ₆₄	1.5000	0.6260	0.8740	1/2	X05-16	P X05	3.5
UCP X06-18 X06	1 ¹ / ₈	30	1 ⁷ / ₈	6 ¹⁷ / ₃₂	5	1 ²⁹ / ₃₂	7 ⁷ / ₈	9 ¹ / ₁₆	3 ³ / ₄	3 ¹¹ / ₁₆	1.6890	0.6890	1.0000	1/2	UC X06-18 X06	P X06	4.6
X06-19 X06-20	1 ³ / ₁₆ 1 ¹ / ₄	30	1 ⁷ / ₈	6 ¹⁷ / ₃₂	5	1 ²⁹ / ₃₂	7 ⁷ / ₈	9 ¹ / ₁₆	3 ³ / ₄	3 ¹¹ / ₁₆	1.6890	0.6890	1.0000	1/2	X06-19 X06-20	P X06	4.6
UCP X07-22 X07	1 ³ / ₈	35	2 ¹ / ₈	7 ¹ / ₄	5 ¹⁷ / ₃₂	1 ¹⁵ / ₁₆	1 ¹⁵ / ₁₆	9 ¹ / ₁₆	1 ¹³ / ₁₆	4 ³ / ₁₆	1.9370	0.7480	1.1890	1/2	UC X07-22 X07	P X07	6.0
X07-23	1 ⁷ / ₁₆	35	2 ¹ / ₈	7 ¹ / ₄	5 ¹⁷ / ₃₂	1 ¹⁵ / ₁₆	1 ¹⁵ / ₁₆	9 ¹ / ₁₆	1 ¹³ / ₁₆	4 ³ / ₁₆	1.9370	0.7480	1.1890	1/2	X07-23	P X07	6.0
UCP X08-24 X08	1 ¹ / ₂	40	2 ¹ / ₈	7 ¹ / ₂	5 ⁹ / ₄	2 ¹ / ₈	1 ¹³ / ₁₆	1 ¹⁹ / ₃₂	7 ⁷ / ₈	4 ¹⁷ / ₆₄	1.9370	0.7480	1.1890	1/2	UC X08-24 X08	P X08	7.7
UCP X09-26 X09-27 X09-28 X09	1 ⁵ / ₈ 1 ¹¹ / ₁₆ 1 ³ / ₄ 45	45	2 ¹ / ₄	8	6 ¹ / ₄	2 ¹ / ₄	1 ¹⁵ / ₁₆	1 ²³ / ₃₂	1 ¹⁵ / ₁₆	4 ³³ / ₆₄	2.0315	0.7480	1.2835	5/8	UC X09-26 X09-27 X09-28 X09	P X09	8.2
UCP X10-30 X10-31 X10	1 ⁷ / ₈ 1 ¹⁵ / ₁₆ 2	50	2 ¹ / ₂	8 ⁵ / ₈	6 ⁷ / ₈	2 ³ / ₈	1 ¹⁵ / ₁₆	1 ²³ / ₃₂	1 ¹ / ₁₆	5 ¹ / ₃₂	2.1890	0.8740	1.3150	5/8	UC X10-30 X10-31 X10	P X10	10.1
X10-32	2	50	2 ¹ / ₂	8 ⁵ / ₈	6 ⁷ / ₈	2 ³ / ₈	1 ¹⁵ / ₁₆	1 ²³ / ₃₂	1 ¹ / ₁₆	5 ¹ / ₃₂	2.1890	0.8740	1.3150	5/8	X10-32	P X10	10.1
UCP X11-34 X11 X11-35 X11-36	2 ¹ / ₈ 2 ³ / ₁₆ 2 ¹ / ₄	55	2 ³ / ₄	9 ¹⁷ / ₃₂	7 ¹¹ / ₃₂	2 ¹ / ₂	1	1 ²⁵ / ₃₂	1 ¹ / ₁₆	5 ³³ / ₆₄	2.5630	1.0000	1.5630	5/8	UC X11-34 X11 X11-35 X11-36	P X11	14.1
UCP X12 X12-38 X12-39	2 ³ / ₈ 2 ⁷ / ₁₆	60	3	10 ³ / ₄	8 ¹ / ₈	2 ¹¹ / ₁₆	1 ¹³ / ₁₆	1 ¹³ / ₁₆	1 ¹ / ₈	5 ⁵³ / ₆₄	2.5630	1.0000	1.5630	5/8	UC X12 X12-38 X12-39	P X12	17.0
UCP X13-40 X13	2 ¹ / ₂	65	3	10 ³ / ₄	8 ¹ / ₈	2 ¹¹ / ₁₆	1 ¹³ / ₁₆	1 ¹³ / ₁₆	1 ¹ / ₈	5 ⁵³ / ₆₄	2.9370	1.1890	1.7480	5/8	UC X13-40 X13	P X13	17.3
UCP X14-43 X14-44 X14	2 ¹¹ / ₁₆ 2 ³ / ₄ 70	70	3 ¹ / ₂	13	9	3 ¹ / ₂	2	1 ¹ / ₁₆	1 ³ / ₈	6 ²⁵ / ₃₂	3.0630	1.3110	1.7520	7/8	UC X14-43 X14-44 X14	P X14	24.5
UCP X15 X15-47 X15-48	2 ¹⁵ / ₁₆ 3	75	3 ¹ / ₂	11 ³ / ₄	9 ¹ / ₈	3	1 ¹⁷ / ₁₆	1	1 ³ / ₈	7 ¹ / ₃₂	3.2520	1.3110	1.9410	7/8	UC X15 X15-47 X15-48	P X15	23.6
UCP X17 X17-55 X17-56	3 ⁷ / ₁₆ 3 ¹ / ₂	85	4	14	11 ¹ / ₁₆	3 ³ / ₈	1 ¹¹ / ₁₆	1	1 ¹ / ₁₆	8	3.7795	1.5630	2.2165	7/8	UC X17 X17-55 X17-56	P X17	35.7
UCP X20 X20-63 X20-64	3 ¹⁵ / ₁₆ 4	100	5	17	13 ¹ / ₄	4	2	1.13	1 ¹³ / ₁₆	9 ²⁷ / ₃₂	4.6260	1.9370	2.6890	1	UC X20 X20-63 X20-64	P X20	66.8

Interchange Page 95

SBLP & SALP PILLOW BLOCKS

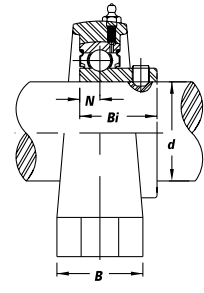
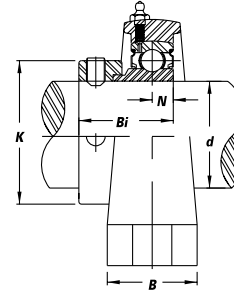
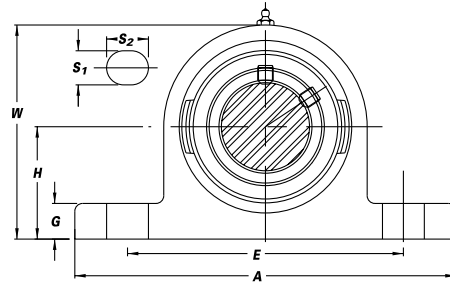
LIGHT DUTY



Seal Options



- » Narrow inner race bearing
- » Relubricatable unless otherwise specified



SALP

SBLP

SBLP Set screw type

Unit No.	Shaft Dia.		Dimensions (in. (mm))										Bolt Used (in.)	Bearing No.	Housing No.	Weight (lbs.)
	d (in.)	d (mm)	H	A	E	B	S ₂	S ₁	G	W	Bi	N				
SBLP 201-8 202 202-10	1/2 5/8	15 30.2	1 3/16 114	4 1/2 87	3 7/16 87	1 25	5/8 16	7/16 11	1 5/32 12	2 1/4 57	0.8661 22.0	0.2362 6.0	3/8	SB 201-8G 202G 202-10G	LP 203	0.8
SBLP 204-12 204	3/4	20 33.3	1 5/16 125	4 29/32 125	3 13/16 97	1 1/16 27	5/8 16	7/16 11	1/2 13	2 9/16 65	0.9843 25.0	0.2756 7.0	3/8	SB 204-12G 204G	LP 204	1.0
SBLP 205-14 205-15 205	7/8 1 5/16	25 36.5	1 7/16 130	5 1/8 130	3 15/16 100	1 5/32 29	5/8 16	7/16 11	1/2 13	2 25/32 71	1.0630 27.0	0.2953 7.5	3/8	SB 205-14G 205-15G 205G 205-16G	LP 205	1.3
SBLP 206-18 206 206-19 206-20	1 1/8 1 3/16 1 1/4S	30 42.9	1 11/16 156	6 5/32 156	4 11/16 119	1 5/16 33	1 3/16 21	9/16 14	9/16 14	3 3/32 83	1.1811 30.0	0.3150 8.0	1/2	SB 206-18G 206G 206-19G 206-20G	LP 206	1.5
SBLP 207-20 207-22 207 207-23	1 1/4 1 3/8 1 7/16	35 47.6	1 7/8 165	6 1/2 127	5 127	1 3/8 35	1 3/16 21	9/16 14	5/8 16	3 23/32 94	1.2992 33.0	0.3740 9.5	1/2	SB 207-20G 207-22G 207G 207-23G	LP 207	2.1

SALP Eccentric locking collar type

Unit No.	Shaft Dia.		Dimensions (in. (mm))										Bolt Used (in.)	Bearing No.	Housing No.	Weight (lbs.)	
	d (in.)	d (mm)	H	A	E	B	S ₂	S ₁	G	W	Bi	N					K
SALP 201-8 202 202-10	1/2 5/8	15 30.2	1 3/16 114	4 1/2 87	3 7/16 87	1 25	5/8 16	7/16 11	1 5/32 12	2 1/4 57	1.1260 28.6	0.2559 6.5	1 1/8 29	3/8	SA 201-8G 202G 202-10G	LP 203	0.9
SALP 204-12 204	3/4	20 33.3	1 5/16 125	4 29/32 125	3 13/16 97	1 1/16 27	5/8 16	7/16 11	1/2 13	2 9/16 65	1.2205 31.0	0.2953 7.5	1 1/4 33	3/8	SA 204-12G 204G	LP 204	1.2
SALP 205-14 205-15 205	7/8 1 5/16	25 36.5	1 7/16 130	5 1/8 130	3 15/16 100	1 5/32 29	5/8 16	7/16 11	1/2 13	2 25/32 71	1.2205 31.0	0.2953 7.5	1 1/2 38	3/8	SA 205-14G 205-15G 205G 205-16G	LP 205	1.4
SALP 206-18 206 206-19 206-20	1 1/8 1 3/16 1 1/4S	30 42.9	1 11/16 156	6 5/32 156	4 11/16 119	1 5/16 33	1 3/16 21	9/16 14	9/16 14	3 3/32 83	1.4055 35.7	0.3543 9.0	1 3/4 45	1/2	SA 206-18G 206-G 206-19G 206-20G	LP 206	1.7
SALP 207-20 207-22 207 207-23	1 1/4 1 3/8 1 7/16	35 47.6	1 7/8 165	6 1/2 127	5 127	1 3/8 35	1 3/16 21	9/16 14	5/8 16	3 23/32 94	1.5315 38.9	0.3740 9.5	2 3/16 56	1/2	SA 207-20G 207-22G 207G 207-23G	LP 207	2.4

Interchange Page 95

UCPA TAPPED BASE PILLOW BLOCKS



Seal Options



B-type

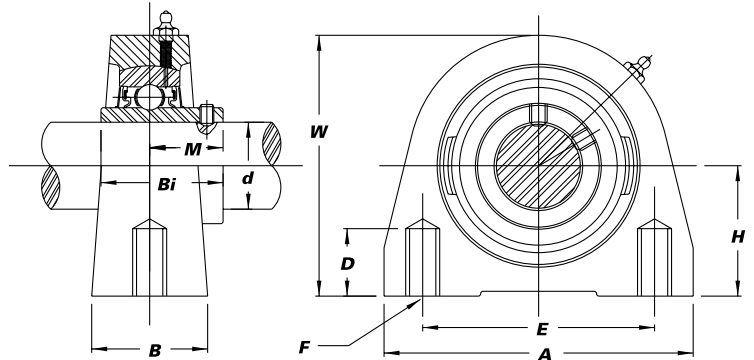


L3-type*

*Call for speed tolerances and available sizes

Set screw lock.

- » Cast iron housing
- » Wide inner race bearing



Unit No.	Shaft Dia.		Dimensions (in.) (mm)										Bearing No.	Housing No.	Weight (lbs.)
	d (in.)	d (mm)	H	A	E	B	W	F-Tapped Holes	D-Min Tap Depth	M	Bi				
UCPA 201-8 202-10 203 204-12 204	1/2 5/8 3/4 20	17	17/16 33.3	27/8 73	2 50.8	1 1/2 38	29/16 65	3/8"-16 UNC	1/2 13	0.7205 18.3	1.2205 31.0	UC 201-8 202-10 203 204-12 204	PA 204	1.4	
UCPA 205-14 205-15 205 205-16	7/8 15/16 1	25	17/16 36.5	3 76	2 50.8	1 1/2 38	2 3/16 71	3/8"-16 UNC	1/2 13	0.7756 19.7	1.3386 34.0	UC 205-14 205-15 205 205-16	PA 205	1.6	
UCPA 206-17 206-18 206 206-19 206-20	1 1/16 1 1/8 1 1/4	30	1 11/16 42.9	4 102	3 76.2	1 1/2 38	3 3/8 86	7/16"-14 UNC	5/8 16	0.8740 22.2	1.5000 38.1	UC 206-17 206-18 206 206-19 206-20	PA 206	2.6	
UCPA 207-20 207-21 207-22 207 207-23	1 1/4 1 5/16 1 3/8 1 7/16	35	17/8 47.6	4 1/4 108	3 1/4 82.6	1 7/8 48	3 3/4 95	1/2"-13 UNC	3/4 19	1.0000 25.4	1.6890 42.9	UC 207-20 207-21 207-22 207 207-23	PA 207	3.6	
UCPA 208-24 208-25 208	1 1/2 1 9/16	40	1 15/16 49.2	4 5/8 117	3 1/2 88.9	1 7/8 48	3 15/16 100	1/2"-13 UNC	3/4 19	1.1890 30.2	1.9370 49.2	UC 208-24 208-25 208	PA 208	4.0	
UCPA 209-26 209-27 209-28 209	1 5/8 1 11/16 1 3/4	45	2 1/8 54.0	5 127	3 3/4 95.3	2 51	4 1/4 108	1/2"-13 UNC	3/4 19	1.1890 30.2	1.9370 49.2	UC 209-26 209-27 209-28 209	PA 209	5.0	
UCPA 210-30 210-31 210 210-32	1 7/8 1 15/16 2S	50	2 1/4 57.2	5 1/2 140	4 101.6	2 51	4 5/8 117	5/8"-11 UNC	7/8 22	1.2835 32.6	2.0315 51.6	UC 210-30 210-31 210 210-32	PA 210	5.9	

Interchange Page 95

NAPA TAPPED BASE PILLOW BLOCKS



Seal Options



B-type

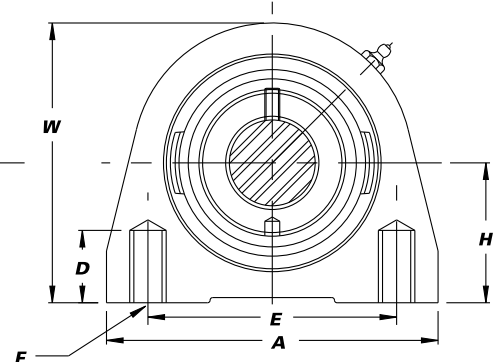
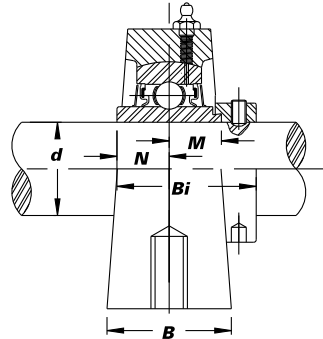


L3-type*

*Call for speed tolerances and available sizes

Eccentric locking collar.

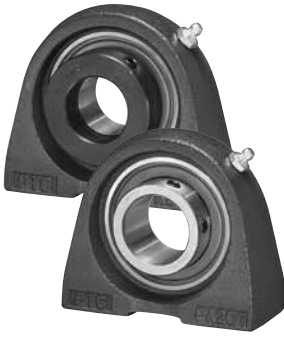
- » Cast iron housing
- » Wide inner race bearing



Unit No.	Shaft Dia.		Dimensions (in.) (mm)									Bearing No.	Housing No.	Weight (lbs.)	
	d (in.)	(mm)	H	A	E	B	W	F-Tapped Holes	D-Min Tap Depth	M	N				Bi
NAPA 201-8	1/2												NA 201-8		
202-10	5/8		1 5/16	2 7/8	2	1 1/2	2 9/16	3/8"-16	1/2	0.6693	0.6693	1.7126	202-10		
204-12	3/4		33.3	73	50.8	38	65	UNC	13	17.0	17.0	43.5	204-12	PA 204	1.6
204		20											204		
NAPA 205-14	7/8												NA 205-14		
205-15	1 1/8		1 7/16	3	2	1 1/2	2 13/16	3/8"-16	1/2	0.6850	0.6850	1.7441	205-15	PA 205	1.7
205	1 1/8	25	36.5	76	50.8	38	71	UNC	13	17.4	17.4	44.3	205		
205-16	1												205-16		
NAPA 206-17	1 1/16												NA 206-17		
206-18	1 1/8		1 11/16	4	3	1 1/2	3 3/8	7/16"-14	5/8	0.7165	0.7165	1.9016	206-18	PA 206	2.8
206		30	42.9	102	76.2	38	86	UNC	16	18.2	18.2	48.3	206		
206-19	1 3/16												206-19		
206-20	1 1/4S												206-20		
NAPA 207-20	1 1/4												NA 207-20		
207-21	1 5/16		1 7/8	4 1/4	3 3/4	1 7/8	3 3/4	1/2"-13	3/4	0.7402	0.7402	2.0118	207-21	PA 207	3.9
207-22	1 3/8		47.6	108	82.6	48	95	UNC	19	18.8	18.8	51.1	207-22		
207		35											207		
207-23	1 7/16												207-23		
NAPA 208-24	1 1/2												NA 208-24		
208-25	1 9/16		1 15/16	4 5/8	3 1/2	1 7/8	3 15/16	1/2"-13	3/4	0.8425	0.8425	2.2165	208-25	PA 208	4.4
208		40	49.2	117	88.9	48	100	UNC	19	21.4	21.4	56.3	208		
NAPA 209-26	1 5/8												NA 209-26		
209-27	1 11/16		2 1/8	5	3 3/4	2	4 1/4	1/2"-13	3/4	0.8425	0.8425	2.2165	209-27	PA 209	5.4
209-28	1 3/4		54.0	127	95.3	51	108	UNC	19	21.4	21.4	56.3	209-28		
209		45											209		
NAPA 210-30	1 7/8												NA 210-30		
210-31	1 5/8		2 1/4	5 1/2	4	2	4 5/8	5/8"-11	7/8	0.9685	0.9685	2.4685	210-31	PA 210	6.3
210		50	57.2	140	101.6	51	117	UNC	22	24.6	24.6	62.7	210		
210-32	2S												210-32		

Interchange Page 95

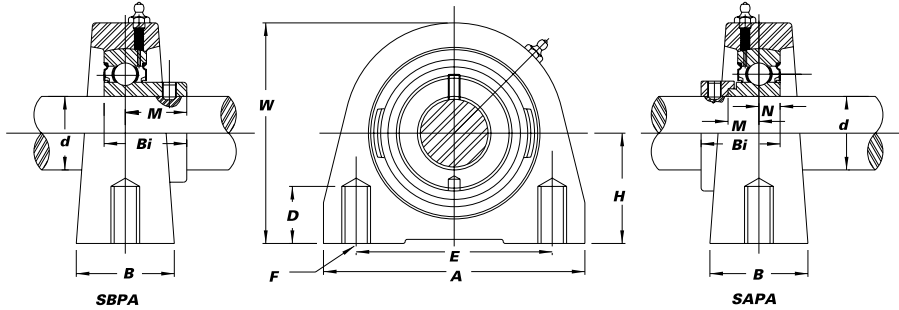
SBPA & SAPA TAPPED BASE PILLOW BLOCKS



Seal Options



- » Cast iron housing
- » Narrow inner race bearing



SBPA Set screw type

Unit No.	Shaft Dia.		Dimensions (in.) (mm)									Bearing No.	Housing No.	Weight (lbs.)
	d (in.)	d (mm)	H	A	E	B	W	F-Tapped Holes	D-Min Tap Depth	M	Bi			
SBPA 204-12 204	3/4	20	1 5/16 33.3	2 7/8 73	2 50.8	1 1/2 38	2 9/16 65	3/8"-16 UNC	1/2 13	0.7087 18.0	0.9843 25.0	SB 204-12G 204G	PA 204	1.3
SBPA 205-14 205-15 205 205-16	7/8 1 5/16 1	25	1 7/16 36.5	3 76	2 50.8	1 1/2 38	2 13/16 71	3/8"-16 UNC	1/2 13	0.7677 19.5	1.0630 27.0	SB 205-14G 205-15G 205G 205-16G	PA 205	1.5
SBPA 206-17 206-18 206 206-19 206-20	1 1/16 1 1/8 1 3/16 1 1/4S	30	1 11/16 42.9	4 102	3 76.2	1 1/2 38	3 3/8 86	7/16"-14 UNC	5/8 16	0.8661 22.0	1.1811 30.0	SB 206-17G 206-18G 206G 206-19G 206-20G	PA 206	2.5
SBPA 207-20 207-21 207-22 207 207-23	1 1/4 1 5/16 1 3/8 1 7/16	35	1 7/8 47.6	4 1/4 108	3 1/4 82.6	1 7/8 48	3 3/4 95	1/2"-13 UNC	3/4 19	0.9252 23.5	1.2992 33.0	SB 207-20G 207-21G 207-22G 207G 207-23G	PA 207	3.4
SBPA 208-24 208	1 1/2	40	1 15/16 49.2	4 5/8 117	3 1/2 88.9	1 7/8 48	3 15/16 100	1/2"-13 UNC	3/4 19	0.9843 25.0	1.4173 36.0	SB 208-24G 208G	PA 208	3.8

SAPA Eccentric locking collar type

Unit No.	Shaft Dia.		Dimensions (in.) (mm)									Bearing No.	Housing No.	Weight (lbs.)	
	d (in.)	d (mm)	H	A	E	B	W	F-Tapped Holes	D-Min Tap Depth	M	N				Bi
SAPA 204-12 204	3/4	20	1 5/16 33.3	2 7/8 73	2 50.8	1 1/2 38	2 9/16 65	3/8"-16 UNC	1/2 13	0.5112 14.0	0.2953 7.5	1.2205 31.0	SA 204-12G 204G	PA 204	1.4
SAPA 205-14 205-15 205 205-16	7/8 1 5/16 1	25	1 7/16 36.5	3 76	2 50.8	1 1/2 38	2 13/16 71	3/8"-16 UNC	1/2 13	0.5513 14.0	0.2953 7.5	1.2205 31.0	SA 205-14G 205-15G 205G 205-16G	PA 205	1.6
SAPA 206-17 206-18 206 206-19 206-20	1 1/16 1 1/8 1 3/16 1 1/4S	30	1 11/16 42.9	4 102	3 76.2	1 1/2 38	3 3/8 86	7/16"-14 UNC	5/8 16	0.5827 14.8	0.3543 9.0	1.4055 35.7	SA 206-17G 206-18G 206G 206-19G 206-20G	PA 206	2.6
SAPA 207-20 207-21 207-22 207 207-23	1 1/4 1 5/16 1 3/8 1 7/16		1 7/8 47.6	4 1/4 108	3 1/4 82.6	1 7/8 48	3 3/4 95	1/2"-13 UNC	3/4 19	0.6260 15.9	0.3740 9.5	1.5315 38.9	SA 207-20G 207-21G 207-22G 207G 207-23G	PA 207	3.7
SAPA 208-24	1 1/2		1 15/16 49.2	4 5/8 117	3 1/2 88.9	1 7/8 48	3 15/16 100	1/2"-13 UNC	3/4 19	0.7559 19.2	0.4331 11.0	1.7205 43.7	SA 208-24G	PA 208	4.2
SAPA 209-27 209-28	1 11/16 1 3/4		2 1/8 54.0	5 127	3 3/4 95.3	2 51	4 1/4 108	1/2"-13 UNC	3/4 19	0.7559 19.2	0.4331 11.0	1.7205 43.7	SA 209-27G 209-28G	PA 209	5.1
SAPA 210-30 210-31 210-32	1 7/8 1 15/16 2S		2 1/4 57.2	5 1/2 140	4 101.6	2 51	4 5/8 117	5/8"-11 UNC	7/8 22	0.7559 19.2	0.4331 11.0	1.7205 43.7	SA 210-30G 210-31G 210-32G	PA 210	5.9

Interchange Page 95

UCF 4-BOLT FLANGE UNITS



Seal Options



B-type

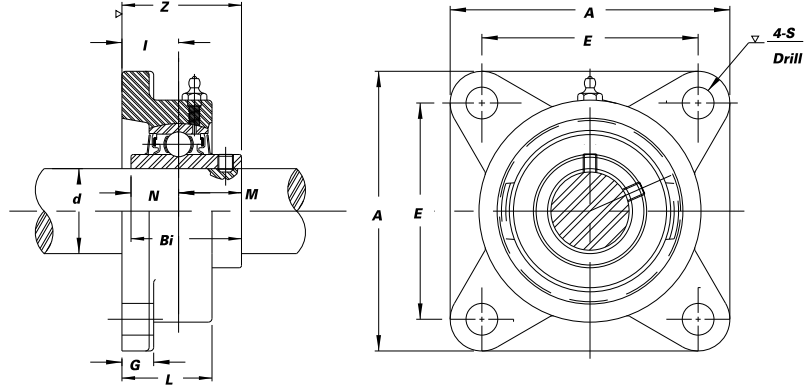


L3-type*

*Call for speed tolerances and available sizes

Set screw lock.

- » Cast iron housing
- » Wide inner race bearing
- » Available with high temp. bearing - See page 46



Unit No.	Shaft Dia.		Dimensions										Bolt Used	Bearing No.	Housing No.	Weight (lbs.)
	d	d	A	E	I	G	L	S	Z	Bi	N	M				
	(in.)	(mm)											(in.)			
UCF 201		12												UCW 201		
201-8	1/2		3	2 1/8	2 1/32	3/8	1 3/32	7/16	1 9/32	1.0236	0.3937	0.6299	3/8	201-8		
202		15	76	54	16.7	10	28	11	32.7	26.0	10.0	16.0	202	F 203	1.2	
202-10	5/8													202-10		
203		17												203		
UCF 204-12	3/4		3 3/8	2 1/2	1 9/32	7/16	1	7/16	1 5/16	1.2205	0.5000	0.7205	3/8	UC 204-12	F 204	1.4
204		20	86	64	15	11	25.4	11	33.3	31.0	12.7	18.3	204			
UCF 205-14	7/8		3 3/4	2 3/4	5/8	1/2	1 1/16	2 9/64	1 13/32	1.3386	0.5630	0.7756	3/8	UC 205-14		
205-15	1 5/16		95	70	16	13	27	11.5	35.7	34.0	14.3	19.7	205	F 205	1.9	
205		25											205-16			
205-16	1												205-16			
UCF 206-17	1 1/16		4 1/4	3 1/4	4 5/64	1/2	1 1/32	3 3/64	1 19/32	1.5000	0.6260	0.8740	7/16	UC 206-17		
206-18	1 1/8		108	83	18	13	31	13	40.2	38.1	15.9	22.2	206	F 206	2.4	
206		30											206-19			
206-19	1 3/16												206-20			
206-20	1 1/4 S												206-20			
UCF 207-20	1 1/4		4 19/32	3 5/8	3/4	1 9/32	1 11/32	3 3/64	1 3/4	1.6890	0.6890	1.0000	7/16	UC 207-20		
207-21	1 5/16		117	92	19	15	34	13	44.4	42.9	17.5	25.4	207	F 207	3.3	
207-22	1 3/8												207-22			
207		35											207			
207-23	1 7/16												207-23			
UCF 208-24	1 1/2		5 1/8	4	5 3/64	1 9/32	1 13/32	3 5/64	2 1/32	1.9370	0.7480	1.1890	1/2	UC 208-24	F 208	4.2
208-25	1 9/16		130	102	21	15	36	14	51.2	49.2	19.0	30.2	208			
208		40											208-25			
UCF 209-26	1 5/8		5 13/32	4 1/8	5 5/64	5/8	1 1/2	5/8	2 1/16	1.9370	0.7480	1.1890	9/16	UC 209-26		
209-27	1 11/16		137	105	22	16	38	16	52.2	49.2	19.0	30.2	209-27	F 209	5.2	
209-28	1 3/4												209-28			
209		45											209			
UCF 210-30	1 7/8		5 5/8	4 3/8	5 5/64	5/8	1 9/16	5/8	2 5/32	2.0315	0.7480	1.2835	9/16	UC 210-30		
210-31	1 15/16		143	111	22	16	40	16	54.6	51.6	19.0	32.6	210	F 210	5.6	
210		50											210-32			
210-32	2 S												210-32			
UCF 211-32	2		6 1/2	5 1/8	6 3/64	2 3/32	1 11/16	4 3/64	2 5/16	2.1890	0.8740	1.3150	5/8	UC 211-32		
211-34	2 1/8		165	130	25	18	43	17	58.4	55.6	22.2	33.4	211	F 211	7.7	
211		55											211-35			
211-35	2 3/16												211-35			
UCF 212-36	2 1/4		6 7/8	5 7/8	1 9/64	2 3/32	1 7/8	4 3/64	2 23/32	2.5630	1.0000	1.5630	5/8	UC 212-36		
212		60	175	143	29	18	48	17	68.7	65.1	25.4	39.7	212	F 212	9.4	
212-38	2 3/8												212-38			
212-39	2 7/16												212-39			
UCF 213-40	2 1/2		7 3/8	5 7/8	1 3/16	7/8	1 31/32	4 3/64	2 3/4	2.5630	1.0000	1.5630	5/8	UC 213-40		
213		65	187	149	30	22	50	17	69.7	65.1	25.4	39.7	213	F 213	12.9	
UCF 214-43	2 11/16		7 19/32	5 63/64	1 7/32	2 9/32	2 1/8	3/4	2 21/32	2.9370	1.1890	1.7480	1 1/16	UC 214-43		
214-44	2 3/4		193	152	31	23	54	19	75.4	74.6	30.2	44.4	214	F 214	13.9	
214		70											214			
UCF 215-47	2 15/16		7 7/8	*6 1/4	1 11/32	7/8	2 7/32	3/4	3 3/32	3.0630	1.3110	1.7520	1 1/16	UC 215-47		
215		75	200	159	34	22	56	19	78.5	77.8	33.3	44.5	215	F 215	17.0	
215-48	3												215-48			

*Also available as 6", where Z = 3 3/8" — specify UCNF. Interchange Page 95

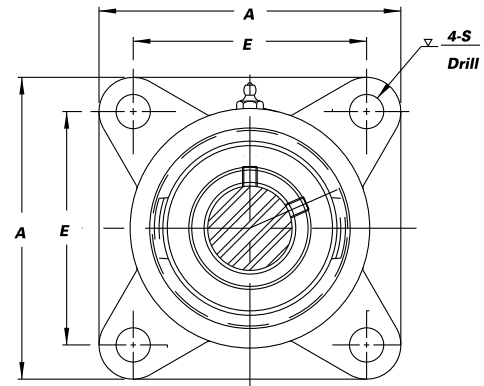
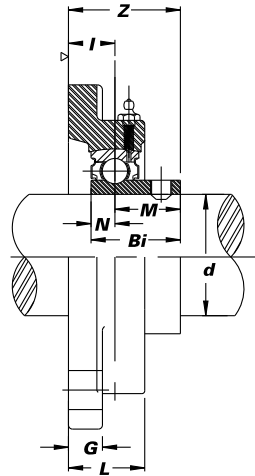
SBF 4-BOLT FLANGE UNITS



Seal Options



- » Cast iron housing
- » Narrow inner race bearing
- » Set screw lock



Unit No.	Shaft Dia.		Dimensions (in.) (mm)										Bolt Used	Bearing No.	Housing No.	Weight (lbs.)			
	d (in.)	d (mm)	A	E	I	G	L	S	Z	Bi	N	M							
SBF 201		12															SB 201G		
201-8	1/2																201-8G		
202		15	3	2 1/8	2 1/32	3/8	1 3/32	7/16	1 9/32	0.8661	0.2362	0.6299	3/8				202G	F 203	1.1
202-10	5/8																202-10G		
203		17															203G		
SBF 204-12	3/4		3 3/8	2 1/2	1 9/32	7/16	1	7/16	1 19/64	0.9843	0.2750	0.7087	3/8				SB 204-12G	F 204	1.4
204		20	86	64	15	11	25.4	11	33	25.0	7.0	18.0				204G			
SBF 205-14	7/8																SB 205-14G		
205-15	1 5/16		3 3/4	2 3/4	5/8	1/2	1 1/16	2 9/64	1 25/64	1.0630	0.2953	0.7677	3/8				205-15G	F 205	1.8
205		25	95	70	16	13	27	11.5	35.3	27.0	7.5	19.5				205G			
205-16	1																205-16G		
SBF 206-17	1 1/16																SB 206-17G		
206-18	1 1/8																206-18G		
206		30	4 1/4	3 1/4	4 5/64	1/2	1 7/32	3 3/64	1 37/64	1.1811	0.3150	0.8661	7/16				206G	F 206	2.2
206-19	1 3/16		108	83	18	13	31	13	40.1	30.0	8.0	22.0				206-19G			
206-20	1 1/4S																206-20G		
SBF 207-20	1 1/4																SB 207-20G		
207-21	1 5/16		4 19/32	3 5/8	3/4	1 9/32	1 11/32	3 3/64	1 49/64	1.2992	0.3740	0.9252	7/16				207-21G	F 207	3.0
207-22	1 3/8		117	92	19	15	34	13	42.5	33.0	9.5	23.5				207-22G			
207		35														207G			
207-23	1 7/16																207-23G		
SBF 208-24	1 1/2		5 1/8	4	5 3/64	1 9/32	1 13/32	3 5/64	1 13/16	1.4173	0.4331	0.9843	1/2				SB 208-24G	F 208	4.1
208-25	1 9/16		130	102	21	15	36	14	46.0	36.0	11.0	25.0				208-25G			
208		40															208G		

Interchange Page 95

UCFX 4-BOLT FLANGE UNITS

MEDIUM DUTY



Seal Options



B-type

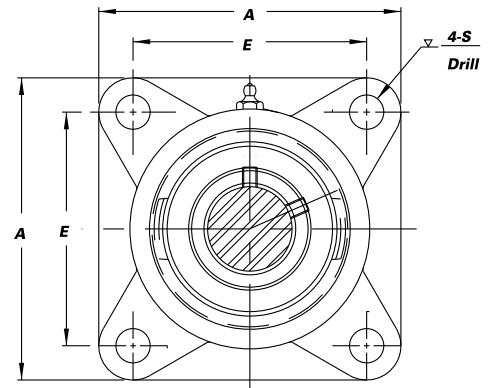
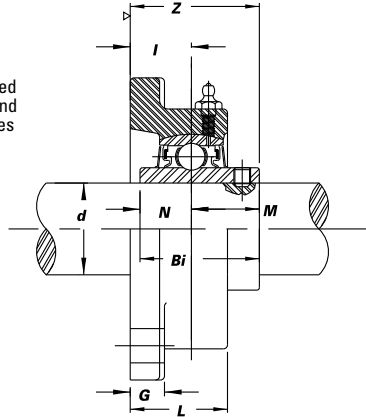


L3-type*

*Call for speed tolerances and available sizes

Set screw lock.

- » Wide inner race bearing with greater load carrying
- » Cast iron housing



Unit No.	Shaft Dia.		Dimensions (in.) (mm)										Bolt Used	Bearing No.	Housing No.	Weight (lbs.)
	d (in.)	d (mm)	A	E	I	G	L	S	Z	Bi	N	M				
UCF X05-14 X05-15 X05 X05-16	7/8 15/16 1	25	4 1/4 108	3 1/4 83	45/64 18	1/2 13	1 1/32 31	33/64 13	1 19/32 40.2	1.5000 38.1	0.6260 15.9	0.8740 22.2	7/16	UC X05-14 X05-15 X05 X05-16	F 206	2.6
UCF X06-18 X06 X06-19 X06-20	1 1/8 1 3/16 1 1/4	30	4 19/32 117	3 5/8 92	3/4 19	1 9/32 15	1 11/32 34	33/64 13	1 3/4 44.4	1.6890 42.9	0.6890 17.5	1.0000 25.4	7/16	UC X06-18 X06 X06-19 207-20	F 207	3.5
UCF X07-22 X07 X07-23	1 3/8 1 7/16	35	5 1/8 130	4 102	53/64 21	1 9/32 15	1 13/32 36	35/64 14	2 1/32 51.2	1.9370 49.2	0.7480 19.0	1.1890 30.2	1/2	UC X07-22 X07 X07-23	F 208	4.4
UCF X08-24 X08	1 1/2	40	5 13/32 137	4 1/8 105	55/64 22	5/8 16	1 1/2 38	5/8 16	2 1/16 52.2	1.9370 49.2	0.7480 19.0	1.1890 30.2	9/16	UC X08-24 X08	F 209	5.3
UCF X09-26 X09-27 X09-28 X09	1 5/8 1 11/16 1 3/4 45	45	5 5/8 143	4 3/8 111	55/64 22	5/8 16	1 9/16 40	5/8 16	2 5/32 54.6	2.0315 51.6	0.7480 19.0	1.2835 32.6	9/16	UC X09-26 X09-27 X09-28 X09	F 210	6.2
UCF X10-30 X10-31 X10 X10-32	1 7/8 1 15/16 2	50	6 1/2 165	5 1/8 130	63/64 25	23/32 18	1 11/16 43	43/64 17	2 5/16 58.4	2.1890 55.6	0.8740 22.2	1.3150 33.4	5/8	UC X10-30 X10-31 X10 211-32	F 211	8.4
UCF X11-34 X11 X11-35 X11-36	2 1/8 2 3/16 2 1/4	55	6 7/8 175	5 5/8 143	1 9/64 29	23/32 18	1 7/8 48	43/64 17	2 23/32 68.7	2.5630 65.1	1.0000 25.4	1.5630 39.7	5/8	UC X11-34 X11 X11-35 212-36	F 212	10.8
UCF X12 X12-38 X12-39	2 3/8 2 7/16	60	7 3/8 187	5 7/8 149	1 3/16 30	7/8 22	1 31/32 50	43/64 17	2 29/32 73.8	2.5630 65.1	1.0000 25.4	1.5630 39.7	5/8	UC X12 X12-38 X12-39	F 213	12.6
UCF X13-40 X13	2 1/2	65	7 3/8 187	5 7/8 149	1 11/32 34	1 9/16 21	2 5/16 59	2 1/32 17	3 3/32 78.5	2.9370 74.6	1.1890 30.2	1.7480 44.4	9/16	UC X13-40 X13	FX13	14.1
UCF X14-43 X14-44 X14	2 11/16 2 3/4 70	70	7 3/4 197	6 152	1 5/8 42	7/8 22	2 27/64 61	2 5/32 20	3 13/32 86.5	3.0630 77.8	1.3110 33.3	1.7520 44.5	1 1/16	UC X14-43 X14-44 X14	NF215	15.6
UCF X15-47 X15 X15-48	2 15/16 3	75	7 3/4 197	6 152	1 37/64 40	1 9/16 24	2 11/16 68	2 5/32 20	3 17/32 89.7	3.2520 82.6	1.3110 33.3	1.9410 49.3	1 1/16	UC X15-47 X15 X15-48	FX15	18.5
UCF X17 X17-55 X17-56	3 7/16 3 1/2	85	8 7/16 214	6 3/4 171	1 37/64 40	1 9/16 24	2 3/4 70	2 5/32 20	3 25/32 96.0	3.7795 96.0	1.5630 39.7	2.2165 56.3	1 1/16	UC X17 X17-55 X17-56	FX17	24.0
UCF X20 X20-63 X20-64	3 15/16 4	100	10 9/16 268	8 5/16 211	2 1/64 59	1 3/32 28	3 13/16 97	1 7/32 31	5 127	4.6260 117.5	1.9370 49.2	2.6890 68.3	1	UC X20 X20-63 X20-64	FX20	42.5

Interchange Page 95

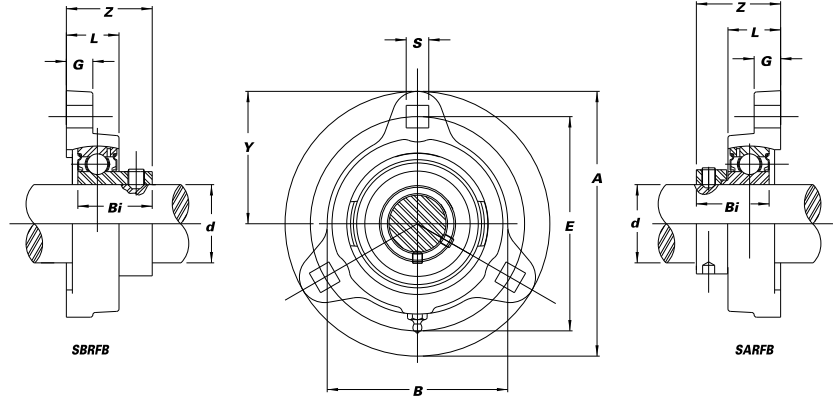
SBRFB & SARFB 3-BOLT FLANGE UNITS



Seal Options



- » Ductile iron housing
- » Narrow inner race bearing



SBRFB Set screw type

Unit No.	Shaft Dia.		Dimensions (in.) (mm)								Bolt Used	Bearing No.	Housing No.	Weight (lbs.)	
	d (in.)	d (mm)	A	E	G	B	L	S	Z	Bi					Y
SBRFB 204-12 204	3/4	20	39/16	213/16	7/16	25/8	25/32	11/32	19/32	0.9843	125/32	5/16	SB 204-12G 204G	RFB 204	.8
SBRFB 205-14 205	7/8	25	33/4	3	7/16	27/8	25/32	11/32	17/32	1.0630	17/8	5/16	SB 205-14G 205G	RFB 205	.9
SBRFB 205-15 205-16	15/16 1		95	76.2	11	73	20	9	31.0	27.0	48		SB 205-15G 205-16G		
SBRFB 206-17 206-18 206	11/16 11/8	30	47/16	39/16	15/32	3	57/64	13/32	19/16	1.1811	27/32	3/8	SB 206-17G 206-18G 206G	RFB 206	1.2
SBRFB 206-19 206-20	13/16 11/4S		113	90.5	12	76	23	10	33.3	30.0	56		SB 206-19G 206-20G		
SBRFB 207-20 207-21 207-22 207	11/4 13/16 13/8	35	413/16	315/16	1/2	31/2	15/16	13/32	17/16	1.2992	213/32	3/8	SB 207-20G 207-21G 207-22G 207G	RFB 207	1.7
SBRFB 207-23	17/16												SB 207-23G		

SARFB Eccentric locking collar type

Unit No.	Shaft Dia.		Dimensions (in.) (mm)								Bolt Used	Bearing No.	Housing No.	Weight (lbs.)	
	d (in.)	d (mm)	A	E	G	B	L	S	Z	Bi					Y
SARFB 204-12 204	3/4	20	39/16	213/16	7/16	25/8	25/32	11/32	19/16	1.2205	125/32	5/16	SA 204-12G 204G	RFB 204	.9
SARFB 205-14 205	7/8	25	33/4	3	7/16	27/8	25/32	11/32	19/8	1.2205	17/8	5/16	SA 205-14G 205G	RFB 205	1.0
SARFB 205-15 205-16	15/16 1		95	76.2	11	73	20	9	34.9	31.0	48		SA 205-15G 205-16G		
SARFB 206-17 206-18 206	11/16 11/8	30	47/16	39/16	15/32	3	57/64	13/32	117/32	1.4055	27/32	3/8	SA 206-17G 206-18G 206G	RFB 206	1.3
SARFB 206-19 206-20	13/16 11/4S		113	90.5	12	76	23	10	38.9	35.7	56		SA 206-19G 206-20G		
SARFB 207-20 207-21 207-22 207	11/4 13/16 13/8	35	413/16	315/16	1/2	31/2	15/16	13/32	121/32	1.5315	213/32	3/8	SA 207-20G 207-21G 207-22G 207G	RFB 207	2.0
SARFB 207-23	17/16												SA 207-23G		

Interchange Page 95

UCFL 2-BOLT FLANGE UNITS



Seal Options



B-type

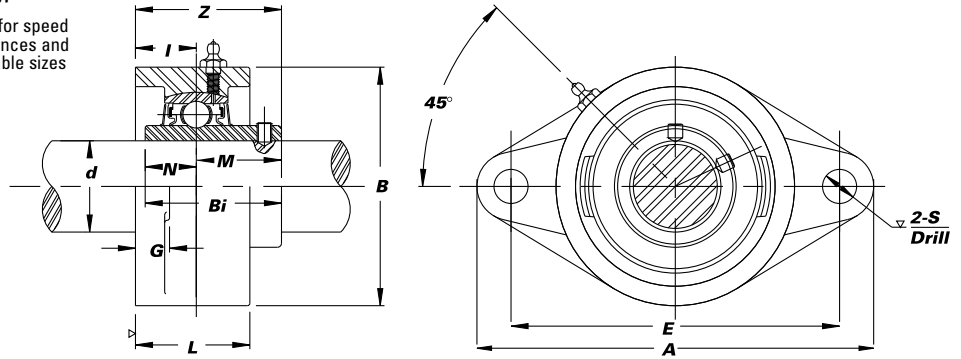


L3-type*

*Call for speed tolerances and available sizes

Set screw lock.

- » Cast iron housing
- » Wide inner race bearing
- » Available with high temp. bearing - See page 46



Unit No.	Shaft Dia.		Dimensions (in.) (mm)										Bolt Used (in.)	Bearing No.	Housing No.	Weight (lbs.)			
	d	d	A	E	I	G	L	S	B	Z	Bi	N					M		
UCFL 201		12															UCW 201		
201-8	1/2																201-8		
202		15	4 ¹³ / ₃₂	3	4 ³ / ₆₄	7 ¹ / ₁₆	3 ¹ / ₃₂	2 ⁵ / ₆₄	2 ³ / ₈	1 ⁵ / ₁₆	1.0236	0.3937	0.6299	5 ¹ / ₁₆			202	FT 203	0.9
202-10	5/8		112	76.2	17	11	25	10	60	33.3	26.0	10.0	16.0				202-10		
203		17															203		
UCFL 204-12	3/4		4 ⁷ / ₁₆	3 ¹⁷ / ₃₂	1 ⁹ / ₃₂	7 ¹ / ₁₆	1	2 ⁵ / ₆₄	2 ³ / ₈	1 ⁵ / ₁₆	1.2205	0.5000	0.7205	5 ¹ / ₁₆			UC 204-12	FL 204	1.0
204		20	113	89.7	15	11	25	10	60	33.3	31.0	12.7	18.3				204		
UCFL 205-14	7/8																UC 205-14		
205-15	1 ⁵ / ₁₆		5 ¹ / ₈	3 ⁵ / ₆₄	5 ¹ / ₈	1 ¹ / ₂	1 ¹ / ₁₆	1 ⁵ / ₃₂	2 ¹ / ₁₆	1 ⁵ / ₃₂	1.3386	0.5630	0.7756	3 ¹ / ₈			205-14		
205		25	130	98.8	16	13	27	11.9	68	37.3	34.0	14.3	19.7				205-15	FL 205	1.5
205-16	1																205-16		
UCFL 206-17	1 ¹ / ₁₆																UC 206-17		
206-18	1 ¹ / ₈		5 ¹³ / ₁₆	4 ¹⁹ / ₃₂	4 ⁵ / ₆₄	1 ¹ / ₂	1 ⁷ / ₃₂	1 ⁵ / ₃₂	3 ⁵ / ₃₂	1 ¹⁹ / ₃₂	1.5000	0.6260	0.8740	3 ¹ / ₈			206-17		
206		30	148	116.7	18	13	31	11.9	80	40.5	38.1	15.9	22.2				206-18	FL 206	2.2
206-19	1 ³ / ₁₆																206-19		
206-20	1 ¹ / ₄ S																206-20		
UCFL 207-20	1 ¹ / ₄																UC 207-20		
207-21	1 ⁵ / ₁₆		6 ¹¹ / ₃₂	5 ¹ / ₈	3 ¹ / ₄	9 ¹ / ₁₆	1 ¹¹ / ₃₂	3 ³ / ₆₄	3 ¹⁷ / ₃₂	1 ³ / ₄	1.6890	0.6890	1.0000	7 ¹ / ₁₆			207-20		
207-22	1 ³ / ₈		161	130.2	19	14	34	13	90	44.5	42.9	17.5	25.4				207-21	FL 207	2.9
207		35															207-22		
207-23	1 ⁷ / ₁₆																207		
UCFL 208-24	1 ¹ / ₂																UC 208-24		
208-25	1 ⁹ / ₁₆		6 ⁷ / ₈	5 ²¹ / ₃₂	5 ³ / ₆₄	9 ¹ / ₁₆	1 ¹³ / ₃₂	3 ³ / ₆₄	3 ¹⁵ / ₁₆	2	1.9370	0.7480	1.1890	7 ¹ / ₁₆			208-24		
208		40	175	143.7	21	14	36	13	100	50.8	49.2	19.0	30.2				208-25	FL 208	3.5
UCFL 209-26	1 ⁵ / ₈																UC 209-26		
209-27	1 ¹¹ / ₁₆		7 ¹³ / ₃₂	5 ²⁷ / ₃₂	5 ⁵ / ₆₄	1 ⁹ / ₃₂	1 ¹ / ₂	1 ⁹ / ₃₂	4 ¹ / ₄	2 ¹ / ₁₆	1.9370	0.7480	1.1890	1 ¹ / ₂			209-26		
209-28	1 ³ / ₄		188	148.4	22	15	38	15	108	52.4	49.2	19.0	30.2				209-27	FL 209	4.4
209		45															209-28		
UCFL 210-30	1 ⁷ / ₈																UC 210-30		
210-31	1 ¹⁵ / ₁₆		7 ³ / ₄	6 ³ / ₁₆	5 ⁵ / ₆₄	1 ⁹ / ₃₂	1 ⁹ / ₁₆	5 ¹ / ₈	4 ¹⁷ / ₃₂	2 ⁵ / ₃₂	2.0315	0.7480	1.2835	1 ¹ / ₂			210-30		
210		50	197	157	22	15	40	16	115	54.8	51.6	19.0	32.6				210-31	FL 210	5.1
210-32	2S																210		
UCFL 211-32	2																UC 211-32		
211-34	2 ¹ / ₈		8 ¹³ / ₁₆	7 ¹ / ₄	6 ³ / ₆₄	2 ³ / ₃₂	1 ¹¹ / ₁₆	4 ¹ / ₆₄	5 ¹ / ₈	2 ⁵ / ₁₆	2.1890	0.8740	1.3150	9 ¹ / ₁₆			211-32		
211		55	224	184	25	18	43	16.3	130	58.7	55.6	22.2	33.4				211-34	FL 211	7.3
211-35	2 ³ / ₁₆																211		
UCFL 212-36	2 ¹ / ₄																UC 212-36		
212		60	9 ²⁷ / ₃₂	7 ¹⁵ / ₁₆	1 ⁹ / ₆₄	2 ³ / ₃₂	1 ⁷ / ₈	4 ¹ / ₆₄	5 ¹ / ₂	2 ²⁹ / ₃₂	2.5630	1.0000	1.5630	9 ¹ / ₁₆			212-36		
212-38	2 ³ / ₈		250	201.6	29	18	48	16.3	140	69.1	65.1	25.4	39.7				212-38	FL 212	9.5
212-39	2 ⁷ / ₁₆																212-39		

Interchange Page 95

NANFL 2-BOLT FLANGE UNITS



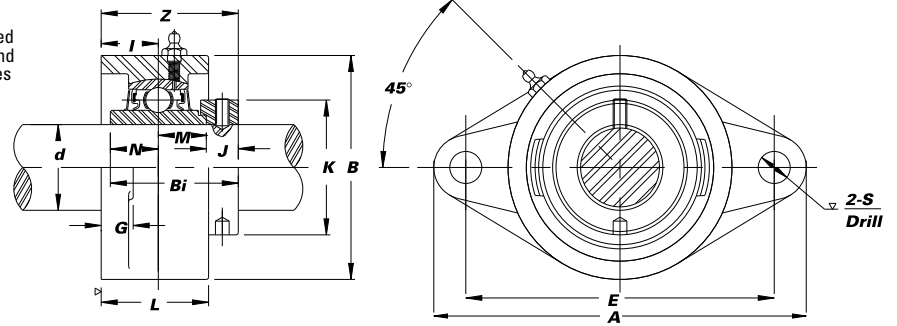
Seal Options



*Call for speed tolerances and available sizes

Eccentric locking lock.

- » Cast iron housing
- » Wide inner race bearing



Unit No.	Shaft Dia.		Dimensions (in.) (mm)											Bolt Used (in.)	Bearing No.	Housing No.	Weight (lbs.)		
	d (in.)	d (mm)	A	E	I	G	L	S	B	Z	Bi	N	M					J	K
NANFL 201		12															NAW201		
201-8	1/2																201-8		
202		15	4 ¹³ / ₃₂	3	4 ³ / ₆₄	7/16	3 ¹ / ₃₂	2 ⁵ / ₆₄	2 ³ / ₈	1 ¹⁹ / ₃₂	1.4685	0.5472	0.5472	0.3740	1.1260	5/16	202	FT 203	1.2
202-10	5/8		112	76.2	17	11	25	10	60	40.5	37.3	13.9	13.9	9.5	28.6		202-10		
203		17															203		
NANFL 204-12	3/4		4 ⁷ / ₁₆	3 ¹⁷ / ₃₂	3/4	7/16	1 ⁵ / ₃₂	2 ⁵ / ₆₄	2 ³ / ₈	1 ²⁹ / ₃₂	1.7126	0.6693	0.6693	0.3740	1.3110	5/16	NA 204-12	NFL 204	1.3
204		20	113	89.7	19	11	29.5	10	60	45.5	43.5	17.0	17.0	9.5	33.3		204		
NANFL 205-14	7/8																NA 205-14		
205-15	15/16																205-15		
205		25	5 ¹ / ₈	3 ⁵⁷ / ₆₄	2 ⁵ / ₃₂	1/2	1 ⁷ / ₃₂	1 ⁵ / ₃₂	2 ¹¹ / ₁₆	1 ²⁷ / ₃₂	1.7441	0.6850	0.6850	0.3740	1.5000	3/8	205	NFL 205	2.0
205-16	1		130	98.8	20	13	31	11.9	68	46.7	44.3	17.4	17.4	9.5	38.1		205-16		
NANFL 206-17	1 ¹ / ₁₆																NA 206-17		
206-18	1 ¹ / ₈																206-18		
206		30	5 ¹³ / ₁₆	4 ¹⁹ / ₃₂	5 ³ / ₆₄	1/2	1 ¹¹ / ₃₂	1 ⁵ / ₃₂	3 ⁵ / ₃₂	2	1.9016	0.7165	0.7165	0.4685	1.7520	3/8	206	NFL 206	2.5
206-19	1 ³ / ₁₆		148	116.7	21	13	34	11.9	80	51.1	48.3	18.2	18.2	11.9	44.5		206-19		
206-20	1 ¹ / ₄ S																206-20		
NANFL 207-20	1 ¹ / ₄																NA 207-20		
207-21	1 ⁵ / ₁₆																207-21		
207-22	1 ³ / ₈																207-22		
207		35	6 ¹¹ / ₃₂	5 ¹ / ₈	2 ⁷ / ₃₂	9/16	1 ⁷ / ₁₆	3 ³ / ₆₄	3 ¹⁷ / ₃₂	2 ¹ / ₈	2.0118	0.7402	0.7402	0.5315	2.1890	7/16	207	NFL 207	3.5
207-23	1 ⁷ / ₁₆		161	130.2	21.5	14	36.5	13	90	53.8	51.1	18.8	18.8	13.5	55.6		207-23		
NANFL 208-24	1 ¹ / ₂																NA 208-24		
208-25	1 ⁹ / ₁₆																208-25		
208		40	6 ⁷ / ₈	5 ²¹ / ₃₂	1 ⁵ / ₁₆	9/16	1 ¹⁷ / ₃₂	3 ³ / ₆₄	3 ¹⁵ / ₁₆	2 ⁵ / ₁₆	2.2165	0.8425	0.8425	0.5315	2.3740	7/16	208	NFL 208	4.5
NANFL 209-26	1 ⁵ / ₈																NA 209-26		
209-27	1 ¹¹ / ₁₆																209-27		
209-28	1 ³ / ₄																209-28		
209		45	7 ¹³ / ₃₂	5 ²⁷ / ₃₂	1 ⁵ / ₁₆	9/16	1 ⁹ / ₁₆	1 ⁹ / ₃₂	4 ¹ / ₄	2 ⁵ / ₁₆	2.2165	0.8425	0.8425	0.5315	2.5000	1/2	209	NFL 209	5.2
NANFL 210-30	1 ⁷ / ₈																NA 210-30		
210-31	1 ¹⁵ / ₁₆																210-31		
210		50	7 ³ / ₄	6 ³ / ₁₆	1 ¹ / ₈	9/16	1 ²⁷ / ₃₂	1 ⁹ / ₃₂	4 ¹⁷ / ₃₂	2 ⁵ / ₈	2.4685	0.9685	0.9685	0.5315	2.7520	1/2	210	NFL 210	6.1
210-32	2S		197	157	28.5	14	46.5	15	115	66.6	62.7	24.6	24.6	13.5	69.9		210-32		
NANFL 211-32	2																NA 211-32		
211-34	2 ¹ / ₈																211-34		
211		55	8 ¹³ / ₁₆	7 ¹ / ₄	1 ¹⁷ / ₆₄	1 ³ / ₁₆	1 ³¹ / ₃₂	4 ¹ / ₆₄	5 ¹ / ₈	2 ³¹ / ₃₂	2.8110	1.0906	1.0906	0.6299	3.0000	9/16	211	NFL 211	9.2
211-35	2 ³ / ₁₆		224	184	32	20	50	16.3	130	75.7	71.4	27.7	27.7	16.0	76.2		211-35		
NANFL 212-36	2 ¹ / ₄																NA 212-36		
212		60	9 ²⁷ / ₃₂	7 ¹⁵ / ₁₆	1 ²⁷ / ₆₄	1 ³ / ₁₆	2 ⁵ / ₃₂	4 ¹ / ₆₄	5 ¹ / ₂	3 ¹ / ₄	3.0630	1.2165	1.2165	0.6299	3.3150	9/16	212	NFL 212	11.1
212-38	2 ⁵ / ₈		250	202	36	20	55	16.3	140	82.9	77.8	30.9	30.9	16.0	84.2		212-38		
212-39	2 ⁷ / ₁₆																212-39		

Interchange Page 95

UCFLX & SAMS 2-BOLT FLANGE UNITS

MEDIUM DUTY



Seal Options



B-type

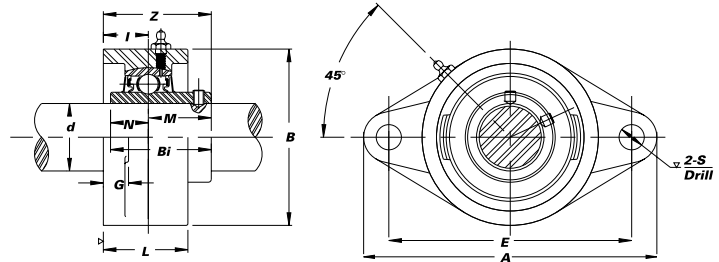


L3-type*

*Call for speed tolerances and available sizes

UCFLX Set screw lock.

- » Wide inner race with greater load carrying capacity than standard duty
- » Cast iron housing



Unit No.	Shaft Dia.		Dimensions (in.) (mm)										Bolt Used (in.)	Bearing No.	Housing No.	Weight (lbs.)	
	d (in.) (mm)	A	E	I	G	L	S	B	Z	Bi	N	M					
UCFL X05-14 X05-15 X05	7/8 15/16	25	5 13/16 148	4 19/32 116.7	45/64 18	1/2 13	1 7/32 31	1 5/32 11.9	3 5/32 80	1 19/32 40.5	1.5000	0.6260 15.9	0.8740 22.2	3/8	UCX05-14 X05-15 X05	FL 206	2.4
UCFL X06-18 X06	1 1/8	30	6 11/32 161	5 1/8 130.2	3/4 19	9/16 14	1 11/32 34	3 3/64 13	3 17/32 90	1 3/4 44.5	1.6890	0.6890 17.5	1.0000 25.4	7/16	UCX06-18 X06	FL 207	3.3
UCFL X06-19 X06-20	1 3/16 1 1/4														X06-19 X06-20		
UCFL X07-22 X07	1 3/8	35	6 7/8 175	5 21/32 143.7	53/64 21	9/16 14	1 13/32 36	3 3/64 13	3 15/16 100	2 50.8	1.9370	0.7480 19.0	1.1890 30.2	7/16	UCX07-22 X07	FL 208	4.2
UCFL X07-23	1 7/16														X07-23		
UCFL X08-24 X08	1 1/2	40	7 13/32 188	5 27/32 148.4	55/64 22	1 9/32 15	1 1/2 38	1 9/32 15	4 1/4 108	2 1/16 52.4	1.9370	0.7480 19.0	1.1890 30.2	1/2	UCX08-24 X08	FL 209	4.6
UCFL X09-27 X09-28 X09	1 11/16 1 3/4	45	7 3/4 197	6 3/16 157	55/64 22	1 9/32 15	1 9/16 40	5/8 16	4 17/32 115	2 5/32 54.8	2.0315	0.7480 19.0	1.2835 32.6	1/2	UCX09-27 X09-28 X09	FL 210	5.3
UCFL X10-30 X10-31 X10	1 7/8 1 15/16	50	8 13/16 224	7 1/4 184	63/64 25	23/32 18	1 11/16 43	4 1/64 16.3	5 1/8 130	2 5/16 58.7	2.1890	0.8740 22.2	1.3150 33.4	9/16	UCX10-30 X10-31 X10	FL 211	8.4
UCFL X10-32	2														X10-32		
UCFL X11 X11-35 X11-36	2 9/16 2 1/4	55	9 27/32 250	7 15/16 201.6	1 9/64 29	23/32 18	1 7/8 48	4 1/64 16.3	5 1/2 140	2 23/32 69.1	2.5630	1.0000 25.4	1.5630 39.7	9/16	UCX11 X11-35 X11-36	FL 212	9.9



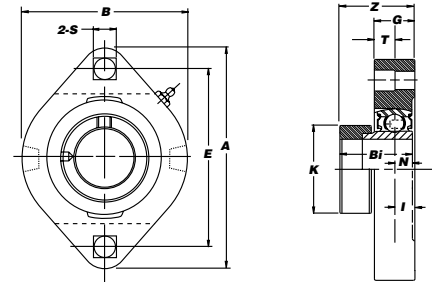
Seal Options



K-type

SAMS

- » Cast iron housing
- » Narrow inner race bearing
- » Metric sizes available



Unit No.	Shaft Dia.		Dimensions (in.) (mm)										Bolt Used (in.)	Bearing No.	Housing No.	Weight (lbs.)
	d (in.) (mm)	A	E	I	G	T	S	B	Z	Bi	N	K				
SAMS 201-8G 202-10G	1/2 5/8	81	3 3/16 63.5	2 1/2 7.4	1 9/64 14.7	3 7/64 7.1	9/32 7.1	2 5/16 58.7	1 3/16 30.0	1.1260	0.2362 6.0	1 1/8 29	1/4	SA 201-8G 202-10G	MS 203G	0.7
SAMS 204-12G	3/4	90.5	2 13/16 71.5	1 1/2 8.6	43/64 17.1	1 1/2 8.7	1 1/2 8.7	2 5/8 66.7	1 17/64 32.1	1.2205	0.2953 7.5	1 1/16 33	5/16	SA 204-12G	MS 204G	0.9
SAMS 205-14G 205-16G	7/8 1	95	3 76.2	3/8 9.5	1 1/16 17.5	1 1/2 8.7	1 1/2 8.7	2 5/64 71	1 19/64 33.0	1.2205	0.2953 7.5	1 1/2 38	5/16	SA 205-14G 205-16G	MS 205G	1.1
SAMS 206-18G 206-19G 206-20G	1 1/8 1 3/16 1 1/4 S	113	4 7/16 90.5	3 9/16 10.3	1 13/32 20.6	1 13/32 10.3	1 13/32 10.3	3 5/16 84.1	1 29/64 37.0	1.4055	0.3543 9.0	1 3/4 45	3/8	SA 206-18G 206-19G 206-20G	MS 206G	1.8
SAMS 207-20G 207-22G 207-23G	1 1/4 1 3/8 1 7/16	125.4	4 15/16 100.0	3 15/16 11.1	7/16 22.2	7/16 11.1	1 9/32 10.3	3 11/16 93.7	1 19/32 40.5	1.5315	0.3740 9.5	2 9/16 60	3/8	SA 207-20G 207-22G 207-23G	MS 207G	2.3

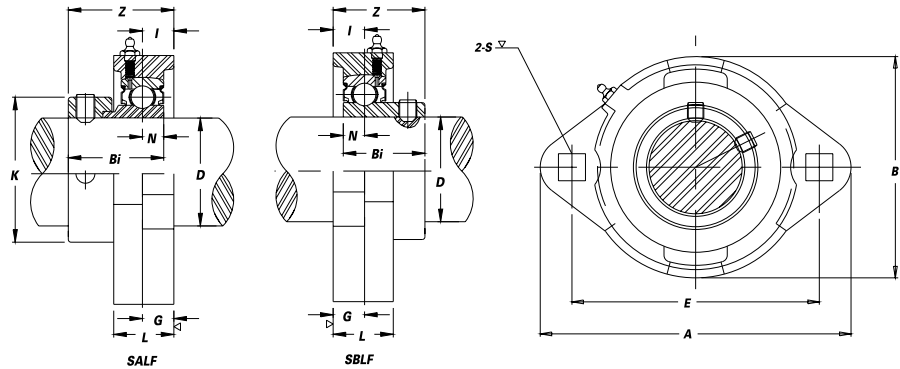
SBLF H4 & SALF H4 FLANGE UNITS



Seal Options



- » Ductile iron housing
- » Square bolt holes
- » Narrow inner race bearing
- » Also available non-relubricatable — please specify



SBLF H4 Set screw type

Unit No.	Shaft Dia.		Dimensions (in.) (mm)										Bolt Used (in.)	Bearing No.	Housing No.	Weight (lbs.)
	d (in.)	d (mm)	A	E	I	G	L	S	B	Z	Bi	N				
SBLF 201-8GH4 202GH4 202-10GH4 203GH4	1/2 5/8	15 17	3 ³ / ₁₆ 81	2 ¹ / ₂ 63.5	3 ³ / ₈ 10	3 ³ / ₈ 10	2 ³ / ₃₂ 18	5 ⁵ / ₁₆ 8	2 ⁷ / ₃₂ 56	1 25.4	0.8661 22.0	0.2362 6.0	1/4	SB 201-8G 202G 202-10G 203G	LF 203 H4	0.6
SBLF 204-12GH4 204GH4	3/4	20	3 ¹⁷ / ₃₂ 90	2 ¹³ / ₁₆ 71.5	7 ⁷ / ₁₆ 11	7 ⁷ / ₁₆ 11	2 ⁵ / ₃₂ 20	2 ⁵ / ₆₄ 10	2 ¹³ / ₃₂ 61	1 ⁵ / ₃₂ 29.0	0.9843 25.0	0.2756 7.0	5/16	SB 204-12G 204G	LF 204 H4	0.7
SBLF 205-14GH4 205GH4 205-15GH4 205-16GH4	7/8 1 ⁵ / ₁₆ 1	25	3 ³ / ₄ 95	2 ⁶³ / ₆₄ 76.0	7 ⁷ / ₁₆ 11	7 ⁷ / ₁₆ 11	2 ⁵ / ₃₂ 20	2 ⁵ / ₆₄ 10	2 ¹⁷ / ₃₂ 64	1 ³ / ₁₆ 30.5	1.0630 27.0	0.2953 7.5	5/16	SB 205-14G 205G 205-15G 205-16G	LF 205 H4	0.9
SBLF 206-17GH4 206-18GH4 206GH4 206-19GH4 206-20GH4	1 ¹ / ₁₆ 1 ¹ / ₈ 1 ³ / ₁₆ 1 ¹ / ₄ S	30	4 ⁷ / ₁₆ 113	3 ⁹ / ₁₆ 90.5	1 ⁵ / ₃₂ 12	1 ⁵ / ₃₂ 12	7 ⁷ / ₈ 23	1 ⁵ / ₃₂ 12	3 76	1 ¹¹ / ₃₂ 34.0	1.1811 30.0	0.3150 8.0	3/8	SB 206-17G 206-18G 206G 206-19G 206-20G	LF 206 H4	1.2
SBLF 207-20GH4 207-21GH4 207-22GH4 207GH4 207-23GH4	1 ¹ / ₄ 1 ⁵ / ₁₆ 1 ³ / ₈ 1 ⁷ / ₁₆	35	4 ¹³ / ₁₆ 122	3 ¹⁵ / ₁₆ 100.0	3 ³ / ₆₄ 13	3 ³ / ₆₄ 13	1 ⁵ / ₁₆ 24	1 ⁵ / ₃₂ 12	3 ¹ / ₂ 89	1 ⁷ / ₁₆ 36.5	1.2992 33.0	0.3740 9.5	3/8	SB 207-20G 207-21G 207-22G 207G 207-23G	LF 207 H4	1.7

SALF H4 Eccentric locking collar type

Unit No.	Shaft Dia.		Dimensions (in.) (mm)										Bolt Used (in.)	Bearing No.	Housing No.	Weight (lbs.)	
	d (in.)	d (mm)	A	E	I	G	L	S	B	Z	Bi	N					K
SALF 201-8GH4 202GH4 202-10GH4 203GH4	1/2 5/8	15 17	3 ³ / ₁₆ 81	2 ¹ / ₂ 63.5	3 ³ / ₈ 10	3 ³ / ₈ 10	2 ³ / ₃₂ 18	5 ⁵ / ₁₆ 8	2 ⁷ / ₃₂ 56	1 ¹ / ₄ 31.8	1.1260 28.6	0.2362 6.0	1 ¹ / ₈ 29	1/4	SA 201-8G 202G 202-10G 203G	LF 203 H4	0.7
SALF 204-12GH4 204GH4	3/4	20	3 ¹⁷ / ₃₂ 90	2 ¹³ / ₁₆ 71.5	7 ⁷ / ₁₆ 11	7 ⁷ / ₁₆ 11	2 ⁵ / ₃₂ 20	2 ⁵ / ₆₄ 10	2 ¹³ / ₃₂ 61	1 ²⁹ / ₆₄ 34.4	1.2205 31.0	0.2953 7.5	1 ⁵ / ₁₆ 33	5/16	SA 204-12G 204G	LF 204 H4	0.8
SALF 205-14GH4 205GH4 205-15GH4 205-16GH4	7/8 1 ⁵ / ₁₆ 1	25	3 ³ / ₄ 95	2 ⁶³ / ₆₄ 76.0	7 ⁷ / ₁₆ 11	7 ⁷ / ₁₆ 11	2 ⁵ / ₃₂ 20	2 ⁵ / ₆₄ 10	2 ¹⁷ / ₃₂ 64	1 ²⁹ / ₆₄ 34.4	1.2205 31.0	0.2953 7.5	1 ¹ / ₂ 38	5/16	SA 205-14G 205G 205-15G 205-16G	LF 205 H4	1.0
SALF 206-17GH4 206-18GH4 206GH4 206-19GH4 206-20GH4	1 ¹ / ₁₆ 1 ¹ / ₈ 1 ³ / ₁₆ 1 ¹ / ₄ S	30	4 ⁷ / ₁₆ 113	3 ⁹ / ₁₆ 90.5	1 ⁵ / ₃₂ 12	1 ⁵ / ₃₂ 12	7 ⁷ / ₈ 23	1 ⁵ / ₃₂ 12	3 76	1 ¹⁷ / ₃₂ 38.9	1.4055 35.7	0.3543 9.0	1 ³ / ₄ 45	3/8	SA 206-17G 206-18G 206G 206-19G 206-20G	LF 206 H4	1.4
SALF 207-20GH4 207-21GH4 207-22GH4 207GH4 207-23GH4	1 ¹ / ₄ 1 ⁵ / ₁₆ 1 ³ / ₈ 1 ⁷ / ₁₆	35	4 ¹³ / ₁₆ 122	3 ¹⁵ / ₁₆ 100.0	3 ³ / ₆₄ 13	3 ³ / ₆₄ 13	1 ⁵ / ₁₆ 24	1 ⁵ / ₃₂ 12	3 ¹ / ₂ 89	1 ¹¹ / ₁₆ 42.7	1.5315 38.9	0.3740 9.5	2 ⁹ / ₁₆ 60	3/8	SA 207-20G 207-21G 207-22G 207G 207-23G	LF 207 H4	2.0

G=Relubricatable Specify "N" for non-relubricatable units Interchange Page 95

SBLF & SALF 2-BOLT FLANGE UNITS

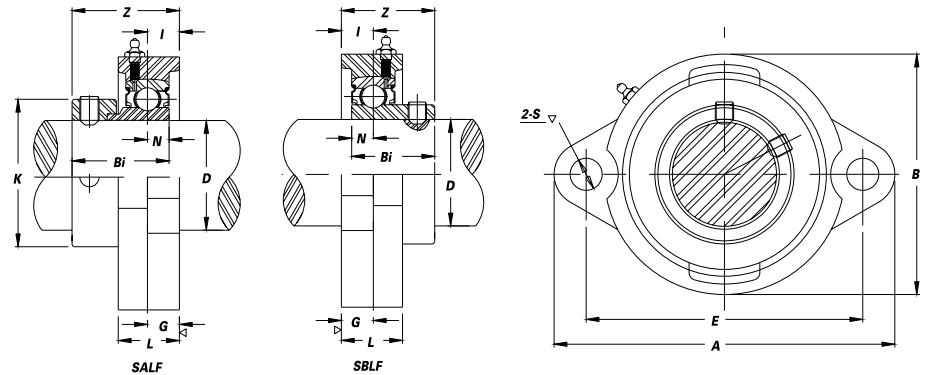


Seal Options



K-type

- » Cast iron housing
- » Round bolt holes
- » Narrow inner race bearing
- » Also available non-relubricatable — please specify



SBLF Set screw type

Unit No.	Shaft Dia. d		Dimensions (in./mm)										Bolt Used (in.)	Bearing No.	Housing No.	Weight (lbs.)
	(in.)	(mm)	A	E	I	G	L	S	B	Z	Bi	N				
SBLF 201-8G 202G	1/2	15	3 ³ / ₁₆	2 1/2	3/8	3/8	2 ³ / ₃₂	5/16	27/32	1	0.8661	0.2362	1/4	SB 201-8G 202G	LF 203G	0.6
202-10G 203G	5/8	17	81	63.5	10	10	18	8	56	25.4	22.0	6.0		202-10G 203G		
SBLF 204-12G 204G	3/4	20	3 ¹⁷ / ₃₂	2 ¹³ / ₁₆	7/16	7/16	2 ⁵ / ₃₂	2 ⁵ / ₆₄	2 ¹³ / ₃₂	1 ⁵ / ₃₂	0.9843	0.2756		5/16		
SBLF 205-14G 205G	7/8	25	3 ³ / ₄	2 ⁶³ / ₆₄	7/16	7/16	2 ⁵ / ₃₂	2 ⁵ / ₆₄	2 ¹⁷ / ₃₂	1 ³ / ₁₆	1.0630	0.2953	5/16	SB 205-14G 205G	LF 205G	0.9
205-15G 205-16G	1 ⁵ / ₁₆	95	95	76.0	11	11	20	10	64	30.5	27.0	7.5		205-15G 205-16G		
SBLF 206-17G 206-18G 206G	1 ¹ / ₁₆	30	4 ⁷ / ₁₆	3 ⁹ / ₁₆	1 ⁵ / ₃₂	1 ⁵ / ₃₂	7/8	1 ⁵ / ₃₂	3	1 ¹¹ / ₃₂	1.1811	0.3150		3/8		
206-19G 206-20G	1 ³ / ₁₆		113	90.5	12	12	23	12	76	34.0	30.0	8.0	206-19G 206-20G			
SBLF 207-20G 207-21G 207-22G 207G	1 ¹ / ₄		35	4 ¹³ / ₁₆	3 ¹⁵ / ₁₆	3 ³ / ₆₄	3 ³ / ₆₄	1 ⁵ / ₁₆	1 ⁵ / ₃₂	3 1/2	1 ⁷ / ₁₆	1.2992	0.3740		3/8	SB 207-20G 207-21G 207-22G 207G
207-23G	1 ⁷ / ₁₆	122		100.0	13	13	24	12	89	36.5	33.0	9.5	207-23G			

SALF Eccentric locking collar type

Unit No.	Shaft Dia. d		Dimensions (in./mm)										Bolt Used (in.)	Bearing No.	Housing No.	Weight (lbs.)	
	(in.)	(mm)	A	E	I	G	L	S	B	Z	Bi	N					K
SALF 201-8G 202G	1/2	15	3 ³ / ₁₆	2 1/2	3/8	3/8	2 ³ / ₃₂	5/16	27/32	1 1/4	1.1260	0.2362	1 1/8	1/4	SA 201-8G 202G	LF 203G	0.7
202-10G 203G	5/8	17	81	63.5	10	10	18	8	56	31.8	28.6	6.0	29		202-10G 203G		
SALF 204-12G 204G	3/4	20	3 ¹⁷ / ₃₂	2 ¹³ / ₁₆	7/16	7/16	2 ⁵ / ₃₂	2 ⁵ / ₆₄	2 ¹³ / ₃₂	1 ²³ / ₆₄	1.2205	0.2953	1 ⁵ / ₁₆		5/16		
SALF 205-14G 205G	7/8	25	3 ³ / ₄	2 ⁶³ / ₆₄	7/16	7/16	2 ⁵ / ₃₂	2 ⁵ / ₆₄	2 ¹⁷ / ₃₂	1 ²³ / ₆₄	1.2205	0.2953	1 1/2	5/16	SA 205-14G 205G	LF 205G	1.0
205-15G 205-16G	1 ⁵ / ₁₆	95	95	76.0	11	11	20	10	64	34.4	31.0	7.5	38		205-15G 205-16G		
SALF 206-17G 206-18G 206G	1 ¹ / ₁₆	30	4 ⁷ / ₁₆	3 ⁹ / ₁₆	1 ⁵ / ₃₂	1 ⁵ / ₃₂	7/8	1 ⁵ / ₃₂	3	1 ¹⁷ / ₃₂	1.4055	0.3543	1 ³ / ₄		3/8		
206-19G 206-20G	1 ³ / ₁₆		113	90.5	12	12	23	12	76	38.9	35.7	9.0	45	206-19G 206-20G			
SALF 207-20G 207-21G 207-22G 207G	1 ¹ / ₄		35	4 ¹³ / ₁₆	3 ¹⁵ / ₁₆	3 ³ / ₆₄	3 ³ / ₆₄	1 ⁵ / ₁₆	1 ⁵ / ₃₂	3 1/2	1 ¹¹ / ₁₆	1.5315	0.3740	2 ³ / ₁₆		3/8	SA 207-20G 207-21G 207-22G 207G
207-23G	1 ⁷ / ₁₆	122		100.0	13	13	24	12	89	42.7	38.9	9.5	60	207-23G			

G=Relubricatable Specify "N" for non-relubricatable units

UCFB 3-BOLT FLANGE BRACKET UNITS



Seal Options



B-type

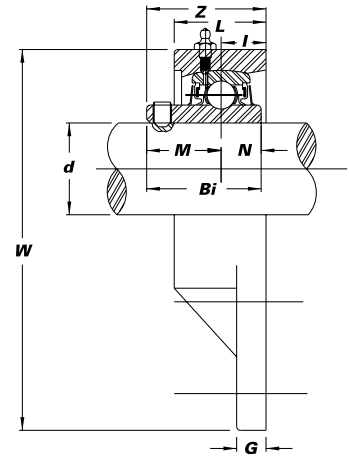
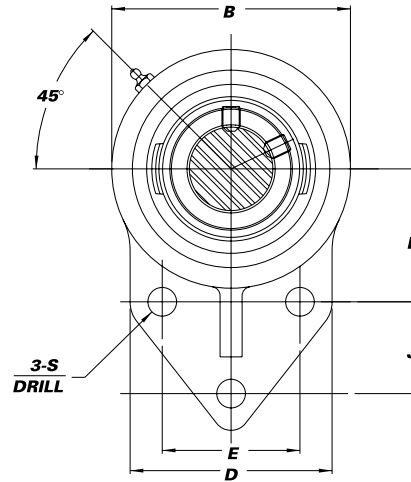


L3-type*

*Call for speed tolerances and available sizes

Set screw lock.

- » Cast iron housing
- » Wide inner race bearing



Unit No.	Shaft Dia.		Dimensions (in.) (mm)													Bolt Used (in.)	Bearing No.	Housing No.	Weight (lbs.)			
	d (in.)	d (mm)	W	B	D	L	S	G	H	J	E	I	Z	Bi	N					M		
UCFB 201		12																	UC 201			
201-8	1/2	15																	201-8			
202																			202			
202-10	5/8	17	4 1/4	2 1/2	2 3/8	1	25/64	5/16	1 11/16	7/8	1 1/2	5/8	1 5/16	1.2205	0.5000	0.7205	5/16	202-10	FB 204	1.5		
203			108	64	60	25	9.9	8	43.3	22.2	38.1	16	33.3	31.0	12.7	18.3		203				
204-12	3/4	20																204-12				
204																		204				
UCFB 205-14	7/8																		UC 205-14			
205-15	15/16	25	4 3/4	2 3/4	2 1/2	1 1/8	25/64	3/8	1 13/16	1 1/8	1 5/8	43/64	1 13/32	1.3386	0.5630	0.7756	5/16	205-15	FB 205	1.5		
205			121	70	64	29	9.9	9.5	46.0	28.6	41.3	17	35.7	34.0	14.3	19.7		205				
205-16	1																	205-16				
UCFB 206-17	1 1/16																		UC 206-17			
206-18	1 1/8	30	5 3/8	3 1/4	2 3/4	1 1/4	25/64	3/8	2 1/16	1 1/4	1 7/8	3/4	1 37/64	1.5000	0.6260	0.8740	5/16	206-18	FB 206	2.0		
206			137	83	70	32	9.9	9.5	52.4	31.8	47.6	19	40.2	38.1	15.9	22.2		206				
206-19	1 3/16																	206-19				
206-20	1 1/4 S																	206-20				
UCFB 207-20	1 1/4																		UC 207-20			
207-21	1 5/16	35	6 1/8	3 3/4	3 1/4	1 7/16	33/64	1/2	2 3/8	1 1/4	2	53/64	1 3/4	1.6890	0.6890	1.0000	7/16	207-21	FB 207	2.9		
207-22	1 3/8		156	95	83	37	13.1	13	60.3	31.8	50.8	21	44.4	42.9	17.5	25.4		207-22				
207																		207				
207-23	1 7/16																	207-23				
UCFB 208-24	1 1/2																		UC 208-24			
208-25	1 9/16	40	6 15/32	3 15/16	3 1/16	1 11/32	7/16	5/8	2 23/64	1 39/64	1 31/32	53/64	2 1/64	1.9370	0.7480	1.1890	3/8	208-25	FB 208	4.0		
208			164	100	78	34	11.1	16	60	41	50.0	21	51.2	49.2	19.0	30.2		208				
UCFB 209-26	1 5/8																		UC 209-26			
209-27	1 11/16	45	6 27/32	4 3/16	3 5/32	1 11/32	15/32	23/32	2 9/16	1 11/16	2 1/8	53/64	2 1/16	1.9370	0.7480	1.1890	3/8	209-27	FB 209	4.4		
209-28	1 3/4		174	106	80	34	11.9	18	65	42.9	54.0	21	52.2	49.2	19.0	30.2		209-28				
209																		209				
UCFB 210-30	1 7/8																		UC 210-30			
210-31	1 15/16	50	7 1/2	4 5/8	4	1 1/2	33/64	1/2	2 15/16	1 5/8	2 3/4	53/64	2 5/32	2.0315	0.7480	1.2835	7/16	210-31	FB 210	5.1		
210			191	118	102	38	13.1	13	74.6	41.3	69.9	21	54.6	51.6	19.0	32.6		210				
210-32	2 S																	210-32				

Interchange Page 95

UCHA HANGER UNITS



Seal Options



B-type

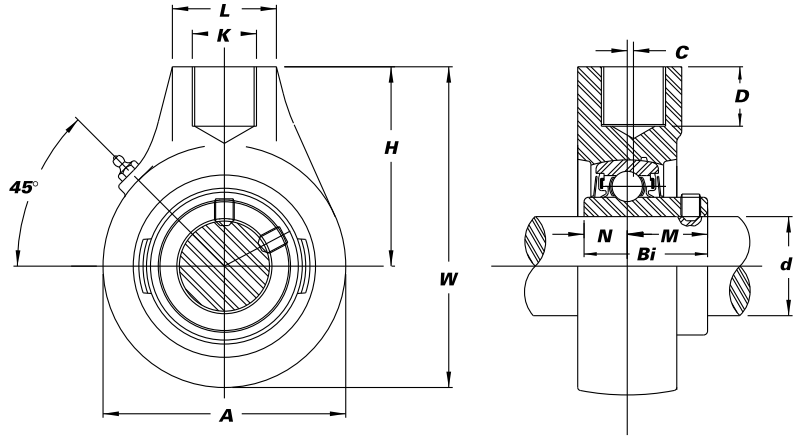


L3-type*

*Call for speed tolerances and available sizes

Set screw lock.

- » Cast iron housing
- » Wide inner race bearing
- » Available with eccentric locking collar bearing



Unit No.	Shaft Dia.		Dimensions (in.) (mm)										Bearing No.	Housing No.	Weight (lbs.)				
	d (in.)	d (mm)	A	W	C	H	L	D	K	Bi	N	M							
UCHA 201		12															UC 201		
201-8	1/2																201-8		
202		15	2 ³³ / ₆₄	3 ²⁵ / ₃₂	0	2 ³³ / ₆₄	1 ⁹ / ₁₆	3/4	PF 3/4	1.2205	0.5000	0.7205					202	HA 204	1.7
202-10	5/8		64	96		64	40	19.1	-14	31.0	12.7	18.3					202-10		
203		17															203		
204-12	3/4																204-12		
204		20															204		
UCHA 205-14	7/8																UC 205-14		
205-15	15/16																205-15		
205		25	3 ¹ / ₁₆	4 ¹ / ₁₆	0	2 ³³ / ₆₄	1 ⁹ / ₁₆	3/4	PF 3/4	1.3386	0.5630	0.7756					205	HA 205	1.9
205-16	1		78	103		64	40	19.1	-14	34.0	14.3	19.7					205-16		
UCHA 206-17	1 ¹ / ₁₆																UC 206-17		
206-18	1 ¹ / ₈																206-18		
206		30	3 ⁵ / ₃₂	4 ³ / ₃₂	0	2 ³³ / ₆₄	1 ⁹ / ₁₆	3/4	PF 3/4	1.5000	0.6260	0.8740					206	HA 206	1.9
206-19	1 ³ / ₁₆		80	104		64	40	19.1	-14	38.1	15.9	22.2					206-19		
206-20	1 ¹ / ₄ S																206-20		
UCHA 207-20	1 ¹ / ₄																UC 207-20		
207-21	1 ⁵ / ₁₆																207-21		
207-22	1 ³ / ₈		3 ⁵ / ₈	4 ⁹ / ₁₆	0	2 ³ / ₄	1 ⁹ / ₁₆	3/4	PF 3/4	1.6890	0.6890	1.0000					207-22	HA 207	2.6
207		35	92	116		70	40	19.1	-14	42.9	17.5	25.4					207		
207-23	1 ¹ / ₁₆																207-23		
UCHA 208-24	1 ¹ / ₂																UC 208-24		
208-25	1 ⁹ / ₁₆																208-25		
208		40	3 ¹⁵ / ₁₆	4 ²⁷ / ₃₂	5/64	2 ⁷ / ₈	1 ⁹ / ₁₆	3/4	PF 3/4	1.9370	0.7480	1.1890					208	HA 208	3.4
UCHA 209-26	1 ⁵ / ₈																UC 209-26		
209-27	1 ¹¹ / ₁₆																209-27		
209-28	1 ³ / ₄		4 ¹ / ₄	5 ¹¹ / ₃₂	1 ³ / ₆₄	3 ¹⁵ / ₆₄	1 ⁷ / ₈	1 ³ / ₁₆	PF 1	1.9370	0.7480	1.1890					209-28	HA 209	3.9
209		45	108	136	5	82	48	21	-11 ¹ / ₂	49.2	19.0	30.2					209		
UCHA 210-30	1 ⁷ / ₈																UC 210-30		
210-31	1 ¹⁵ / ₁₆																210-31		
210		50	4 ²¹ / ₃₂	5 ¹⁹ / ₃₂	1 ³ / ₆₄	3 ¹⁷ / ₆₄	1 ⁷ / ₈	1 ³ / ₁₆	PF 1	2.0315	0.7480	1.2835					210	HA 210	4.6
210-32	2S		118	142	5	83	48	21	-11 ¹ / ₂	51.6	19.0	32.6					210-32		
UCHA 211-34	2 ¹ / ₈																UC X11-34		
211		55	5 ¹⁹ / ₃₂	6 ¹³ / ₁₆	2 ³ / ₆₄	4 ¹ / ₆₄	2 ⁵ / ₈	1 ³ / ₃₂	PF 1 ¹ / ₄	2.5630	1.0000	1.5630					X11	HA 212	8.5
211-35	2 ³ / ₁₆		142	173	9	102	60	28	-11 ¹ / ₂	65.1	25.4	39.7					X11-35		
UCHA 212-36	2 ¹ / ₄																UC 212-36		
212		60	5 ¹⁹ / ₃₂	6 ¹³ / ₁₆	2 ³ / ₆₄	4 ¹ / ₆₄	2 ⁵ / ₈	1 ³ / ₃₂	PF 1 ¹ / ₄	2.5630	1.0000	1.5630					212	HA 212	8.2
212-38	2 ³ / ₈		142	173	9	102	60	28	-11 ¹ / ₂	65.1	25.4	39.7					212-38		
212-39	2 ¹ / ₁₆																212-39		
UCHA 214-43	2 ¹¹ / ₁₆																UC X14-43		
214		70	6 ¹⁷ / ₃₂	7 ⁷ / ₈	3/8	4 ³⁹ / ₆₄	2 ⁵ / ₄	1 ¹ / ₄	PF 1 ¹ / ₂	3.0630	1.3110	1.7520					X14	HA 215	13.2
UCHA 215-47	2 ¹⁵ / ₁₆																UC 215-47		
215		75	6 ¹⁷ / ₃₂	7 ⁷ / ₈	3/8	4 ³⁹ / ₆₄	2 ⁵ / ₄	1 ¹ / ₄	PF 1 ¹ / ₂	3.0630	1.3110	1.7520					215	HA 215	12.2
215-48	3		166	200	9.5	117	70	32	-11 ¹ / ₂	77.8	33.3	44.5					215-48		

Interchange Page 95

UCFCF 4-BOLT PILOTED FLANGE UNITS



Seal Options



B-type

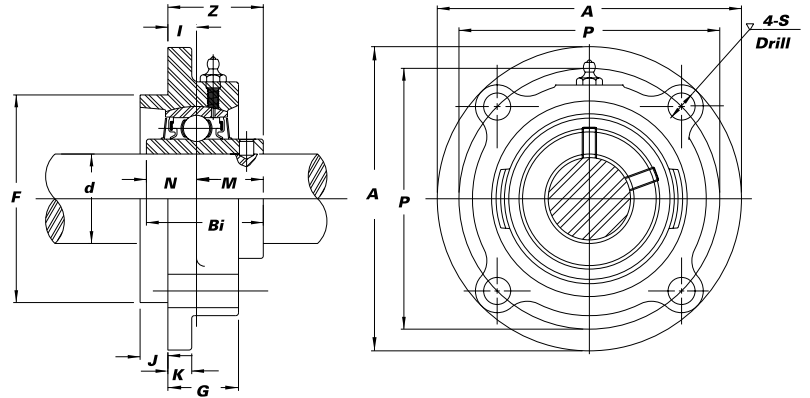


L3-type*

*Call for speed tolerances and available sizes

Set screw lock.

- » Cast iron housing
- » Wide inner race bearing
- » Available with eccentric locking collar bearing



Unit No.	Shaft Dia.		Dimensions (in.) (mm)											Bolt Used (in.)	Bearing No.	Housing No.	Weight (lbs.)	
	d (in.)	d (mm)	A	P	S	J	K	G	F	I	Z	Bi	N					M
UCFCF 205-14 205-15 205 205-16	7/8 15/16 1	25	4 3/8 111	3 3/8 92.1	1 3/32 10.3	1/4 6	3/8 10	55/64 22	3.000 76.2	7/16 11	1 1/32 31.0	1.3386 34.0	0.5630 14.3	0.7756 19.7	5/16	UC 205-14 205-15 205 205-16	FCF 205	2.6
UCFCF 206-17 206-18 206 206-19 206-20	1 1/16 1 1/8 1 3/16 1 1/4 S	30	5 127	4 1/8 104.8	15/32 11.9	27/64 11	3/8 10	25/32 20	3.375 85.7	19/64 7.5	1 11/64 29.8	1.5000 38.1	0.6260 15.9	0.8740 22.2	3/8	UC 206-17 206-18 206 206-19 206-20	FCF 206	3.9
UCFCF 207-20 207-21 207-22 207 207-23	1 1/4 1 5/16 1 3/8 1 7/16	35	5 1/4 133	4 3/8 111.1	15/32 11.9	15/32 12	1/2 12	7/8 22	3.625 92.1	9/32 7	1 9/32 32.5	1.6890 49.9	0.6890 17.5	1.0000 25.4	3/8	UC 207-20 207-21 207-22 207 207-23	FCF 207	4.2
UCFCF 208-24 208-25 208	1 1/2 1 9/16	40	5 1/4 133	4 3/8 111.1	15/32 11.9	15/32 12	1 1/32 26	3.625 92.1	3/8 9.5	1 9/16 39.7	1.9370 49.2	0.7480 19.0	1.1890 30.2	3/8	UC 208-24 208-25 208	FCF 208	4.6	
UCFCF 209-26 209-27 209-28 209	1 5/8 1 11/16 1 3/4 1 7/8	45	6 1/8 156	5 1/8 130.2	17/32 13.5	15/32 12	29/64 12	7/8 22	4.250 108.0	7/32 5.5	1 13/32 35.7	1.9370 49.2	0.7480 19.0	1.1890 30.2	7/16	UC 209-26 209-27 209-28 209	FCF 209	6.2
UCFCF 210-30 210-31 210 210-32	1 7/8 1 15/16 2 2 S	50	6 3/8 162	5 3/8 136.5	17/32 13.5	5/8 16	1 1/2 12	1 1/16 27	4.500 114.3	1 1/32 9	1 5/8 41.3	2.0315 51.6	0.7480 19.0	1.2835 32.6	7/16	UC 210-30 210-31 210 210-32	FCF 210	7.0
UCFCF 211-32 211-34 211 211-35	2 2 1/8 2 1/4 2 3/16	55	7 1/8 181	6 152.4	19/32 15.1	7/8 22	1 1/2 12	7/8 22	5.000 127.0	7/32 5.5	1 17/32 38.9	2.1890 55.6	0.8740 22.2	1.3150 33.4	1/2	UC 211-32 211-34 211 211-35	FCF 211	9.1

Interchange Page 95

UCFC 4-BOLT PILOTED FLANGE UNITS



Seal Options



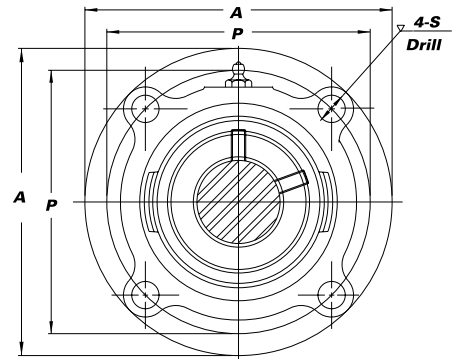
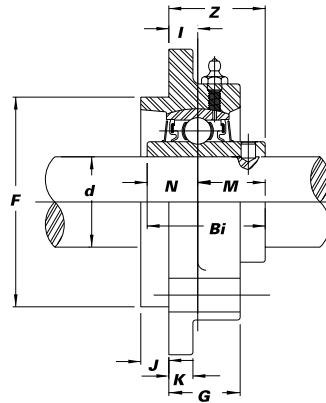
B-type



L3-type*

*Call for speed tolerances and available sizes

Set screw lock.



Unit No.	Shaft Dia.		Dimensions (in.) (mm)										Bolt Used (in) (mm)	Bearing No.	Housing No.	Housing Weight (lbs.)			
	d (in.)	d (mm)	A	P	S	J	K	G	F	I	Z	Bi					N	M	
UCFC 201		12															UC 201		
201-8	1/2																201-8		
202		15															202		
202-10	5/8		3 ¹⁵ / ₁₆	3 ⁵ / ₆₄	1 ⁵ / ₃₂	3/16	9/32	1 ³ / ₁₆	2.4409	2 ⁵ / ₆₄	1 ¹ / ₆₄	1.2205	0.5000	0.7205	-	M10	202-10	FC 204	2.0
203		17	100	78	12	5	7	20.5	62.0	10	28.3	31.0	12.7	18.3			203		
204-12	3/4																204-12		
204		20															204		
UCFC 205-14	7/8																UC 205-14		
205-15	1 ⁵ / ₁₆		4 ¹ / ₂	3 ³⁵ / ₆₄	1 ⁵ / ₃₂	1 ⁵ / ₆₄	9/32	1 ³ / ₁₆	2.7559	2 ⁵ / ₆₄	1 ¹¹ / ₆₄	1.3386	0.5630	0.7756	-	M10	205-15	FC 205	2.4
205		25	115	90	12	6	7	21	70.0	10	29.7	34.0	14.3	19.7			205		
205-16	1																205-16		
UCFC 206-17	1 ¹ / ₁₆																UC 206-17		
206-18	1 ¹ / ₈																206-18		
206		30	4 ¹⁵ / ₁₆	3 ¹⁵ / ₁₆	1 ⁵ / ₃₂	5/16	5/16	2 ⁹ / ₃₂	3.1496	2 ⁵ / ₆₄	1 ¹⁷ / ₆₄	1.5000	0.6260	0.8740	-	M10	206	FC 206	3.3
206-19	1 ³ / ₁₆		125	100	12	8	8	23	80.0	10	32.2	38.1	15.9	22.2			206-19		
206-20	1 ¹ / ₄ S																206-20		
UCFC 207-20	1 ¹ / ₄																UC 207-20		
207-21	1 ⁵ / ₁₆																207-21		
207-22	1 ³ / ₈		5 ⁵ / ₁₆	4 ²¹ / ₆₄	3 ⁵ / ₆₄	5/16	1 ¹ / ₃₂	1 ¹ / ₃₂	3.5433	7/16	1 ¹ / ₁₆	1.6890	0.6890	1.0000	1/2	M12	207-22	FC 207	3.7
207		35	135	110	14	8	9	26	90.0	11	36.4	42.9	17.5	25.4			207		
207-23	1 ⁷ / ₁₆																207-23		
UCFC 208-24	1 ¹ / ₂																UC 208-24		
208-25	1 ⁹ / ₁₆		5 ¹¹ / ₁₆	4 ²³ / ₃₂	3 ⁵ / ₆₄	1 ³ / ₃₂	1 ¹ / ₃₂	1 ¹ / ₃₂	3.9370	7/16	1 ⁵ / ₈	1.9370	0.7480	1.1890	1/2	M12	208-25	FC 208	4.6
208		40	145	120	14	10	9	26	100.0	11	41.2	49.2	19.0	30.2			208		
UCFC 209-26	1 ⁵ / ₈																UC 209-26		
209-27	1 ¹¹ / ₁₆		6 ⁵ / ₁₆	5 ³ / ₆₄	5/8	1 ⁵ / ₃₂	3 ⁵ / ₆₄	1 ¹ / ₃₂	4.1339	2 ⁵ / ₆₄	1 ³⁷ / ₆₄	1.9370	0.7480	1.1890	9/16	M14	209-27	FC 209	6.6
209-28	1 ³ / ₄		160	132	16	12	14	26	105.0	10	40.2	49.2	19.0	30.2			209-28		
209		45															209		
UCFC 210-30	1 ⁷ / ₈																UC 210-30		
210-31	1 ¹⁵ / ₁₆		6 ¹ / ₂	5 ⁷ / ₁₆	5/8	1 ⁵ / ₃₂	3 ⁵ / ₆₄	1 ³ / ₃₂	4.3307	2 ⁵ / ₆₄	1 ⁴³ / ₆₄	2.0315	0.7480	1.2835	9/16	M14	210-31	FC 210	6.8
210		50	165	138	16	12	14	28	110.0	10	42.6	51.6	19.0	32.6			210		
210-32	2S																210-32		
UCFC 211-32	2																UC 211-32		
211-34	2 ¹ / ₈		7 ⁵ / ₁₆	5 ²⁹ / ₃₂	3/4	1 ⁵ / ₃₂	1 ⁹ / ₃₂	1 ⁷ / ₃₂	4.9213	1/2	1 ⁵³ / ₆₄	2.1890	0.8740	1.3150	1 ¹ / ₁₆	M16	211-34	FC 211	8.6
211		55	185	150	19	12	15	31	125.0	13	46.4	55.6	22.2	33.4			211		
211-35	2 ³ / ₁₆																211-35		
UCFC 212-36	2 ¹ / ₄																UC 212-36		
212		60	7 ¹¹ / ₁₆	6 ¹⁹ / ₆₄	3/4	1 ⁵ / ₃₂	1 ⁹ / ₃₂	1 ²⁷ / ₆₄	5.3150	4 ³ / ₆₄	2 ¹⁵ / ₆₄	2.5630	1.0000	1.5630	1 ¹ / ₁₆	M16	212	FC 212	9.7
212-38	2 ³ / ₈		195	160	19	12	15	36	135.0	17	56.7	65.1	25.4	39.7			212-38		
212-39	2 ⁷ / ₁₆																212-39		
UCFC 213-40	2 ¹ / ₂		8 ¹ / ₁₆	6 ¹¹ / ₁₆	3/4	3 ⁵ / ₆₄	1 ⁹ / ₃₂	1 ²⁷ / ₆₄	5.7087	5/8	2 ³ / ₁₆	2.5630	1.0000	1.5630	1 ¹ / ₁₆	M16	UC 213-40	FC 213	11.7
213		65	205	170	19	14	15	36	145.0	16	55.7	65.1	25.4	39.7			213		
UCFC 214-43	2 ¹¹ / ₁₆		8 ¹⁵ / ₃₂	6 ³¹ / ₃₂	3/4	3 ⁵ / ₆₄	2 ³ / ₃₂	1 ³⁷ / ₆₄	5.9055	4 ³ / ₆₄	2 ²⁷ / ₆₄	2.9370	1.1890	1.7480	1 ¹ / ₁₆	M16	UC 214-43	FC 214	15.0
214-44	2 ³ / ₄		215	177	19	14	18	40	150.0	17	61.4	74.6	30.2	44.4			214-44		
214		70															214		
UCFC 215-47	2 ¹⁵ / ₁₆																UC 215-47		
215		75	8 ²¹ / ₃₂	7 ¹ / ₄	3/4	5/8	2 ³ / ₃₂	1 ³⁷ / ₆₄	6.2992	4 ⁵ / ₆₄	2 ¹⁵ / ₃₂	3.0630	1.3110	1.7520	1 ¹ / ₁₆	M16	215	FC 215	16.3
215-48	3		220	184	19	16	18	40	160.0	18	62.5	77.8	33.3	44.5			215-48		

Interchange Page 95



Seal Options



B-type

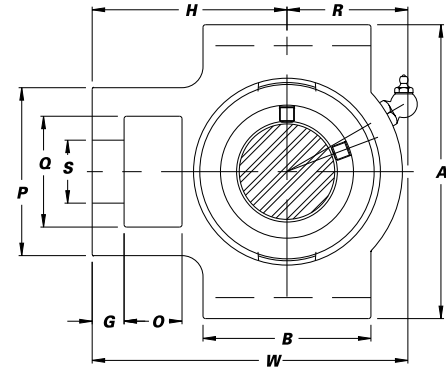
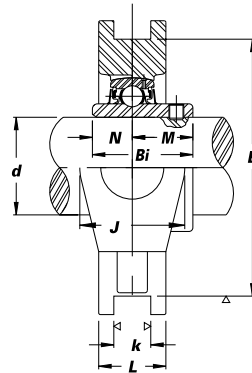


L3-type*

*Call for speed tolerances and available sizes

Wide slot, set screw lock.

- » Cast iron housing
- » Wide inner race bearing
- » Available with high temp. bearing - See page 46



Unit No.	Shaft Dia.		Dimensions (in.) (mm)															Bearing No.	Housing No.	Weight (lbs.)			
	d (in.)	d (mm)	O	G	P	Q	S	B	k	E	A	W	J	L	R	H	Bi				N	M	
UCT 201		12																			UC 201		
201-8	1/2																				201-8		
202		15																			202		
202-10	5/8		5/8	13/32	2	1 1/4	3/4	2	17/32	3	3 1/2	3 11/16	1 1/4	13/16	1 5/16	2 13/32	1.2205	0.5000	0.7205	202-10	T 204	1.7	
203		17	16	10	51	32	19	51	13.5	76.2	89	94	32	21	33	61	31.0	12.7	18.3	203			
204-12	3/4																				204-12		
204		20																			204		
UCT 205-14	7/8																				UC 205-14		
205-15	15/16		5/8	13/32	2	1 1/4	3/4	2	17/32	3	3 1/2	3 13/16	1 1/4	1 5/16	1 3/8	2 1/16	1.3386	0.5630	0.7756	205-15	T 205	1.9	
205		25	16	10	51	32	19	51	13.5	76.2	89	97	32	24	35	62	34.0	14.3	19.7	205			
205-16	1																				205-16		
UCT 206-17	1 1/16																				UC 206-17		
206-18	1 1/8		5/8	13/32	2 1/32	1 15/32	55/64	2 1/4	17/32	3 1/2	4 1/32	4 7/16	1 15/32	1 3/32	1 11/16	2 3/4	1.5000	0.6260	0.8740	206-18	T 206	2.9	
206		30	16	10	56	37	22	57	13.5	88.9	102	113	37	28	43	70	38.1	15.9	22.2	206			
206-19	1 3/16																				206-19		
206-20	1 1/4 S																				206-20		
UCT 207-20	1 1/4																				UC 207-20		
207-21	1 5/16		5/8	1/2	2 17/32	1 15/32	55/64	2 17/32	17/32	3 1/2	4 1/32	5 3/32	1 15/32	1 3/16	2	3 1/16	1.6890	0.6890	1.0000	207-21	T 207	3.5	
207-22	1 3/8		16	13	64	37	22	64	13.5	88.9	102	129	37	30	51	78	42.9	17.5	25.4	207-22			
207		35																			207		
207-23	1 7/16																				207-23		
UCT 208-24	1 1/2		3/4	5/8	3 3/32	1 15/16	1 9/64	3 3/32	1 1/16	4	4 1/2	5 21/32	1 15/16	1 5/16	2 1/32	3 15/32	1.9370	0.7480	1.1890	UC 208-24	T 208	5.5	
208-25	1 9/16		19	16	83	49	29	83	17.5	101.6	114	144	49	33	56	88	49.2	19.0	30.2	208-25			
208		40																			208		
UCT 209-26	1 5/8																				UC 209-26		
209-27	1 11/16		3/4	5/8	3 3/32	1 15/16	1 9/64	3 3/32	1 1/16	4	4 19/32	5 21/32	1 15/16	1 3/8	2 1/4	3 1/16	1.9370	0.7480	1.1890	209-27	T 209	5.5	
209-28	1 3/4		19	16	83	49	29	83	17.5	101.6	117	144	49	35	57	87	49.2	19.0	30.2	209-28			
209		45																			209		
UCT 210-30	1 7/8																				UC 210-30		
210-31	1 15/16		3/4	5/8	3 3/32	1 15/16	1 9/64	3 3/8	1 1/16	4	4 19/32	5 7/8	1 15/16	1 15/32	2 5/16	3 17/32	2.0315	0.7480	1.2835	210-31	T 210	5.7	
210		50	19	16	83	49	29	86	17.5	101.6	117	149	49	37	59	90	51.6	19.0	32.6	210			
210-32	2 S																				210-32		
UCT 211-32	2																				UC 211-32		
211-34	2 1/8		1	3/4	4 1/32	2 17/32	1 3/8	3 3/4	1 1/16	5 1/8	5 3/4	6 23/32	2 17/32	1 1/2	2 9/16	4 3/16	2.1890	0.8740	1.3150	211-34	T 211	8.8	
211		55	25	19	102	64	35	95	27	130.2	146	171	64	38	65	106	55.6	22.2	33.4	211			
211-35	2 3/16																				211-35		
UCT 212-36	2 1/4																				UC 212-36		
212		60	1 1/4	3/4	4 1/32	2 17/32	1 3/8	4 1/32	1 1/16	5 1/8	5 3/4	7 5/8	2 17/32	1 21/32	2 15/16	4 11/16	2.5630	1.0000	1.5630	212	T 212	10.6	
212-38	2 3/8		32	19	102	64	35	102	27	130.2	146	194	64	42	75	119	65.1	25.4	39.7	212-38			
212-39	2 1/16																				212-39		
UCT 213-40	2 1/2		1 1/4	13/16	4 3/8	2 3/4	1 39/64	4 3/4	1 1/16	5 15/16	6 9/16	8 13/16	2 3/4	1 23/32	3 1/16	5 13/32	2.5630	1.0000	1.5630	UC 213-40	T 213	15.2	
213		65	32	21	111	70	41	121	27	150.8	167	224	70	44	87	137	65.1	25.4	39.7	213			
UCT 215-47	2 15/16		1 1/4	13/16	4 3/8	2 3/4	1 39/64	4 3/4	1 1/16	5 15/16	6 9/16	9 1/8	2 3/4	1 17/8	3 3/8	5 1/2	3.0630	1.3110	1.7520	UC 215-47	T 215	15.9	
215		75	32	21	111	70	41	121	27	150.8	167	232	70	48	92	140	77.8	33.3	44.5	215			
215-48	3																				215-48		

Interchange Page 95



Seal Options



B-type

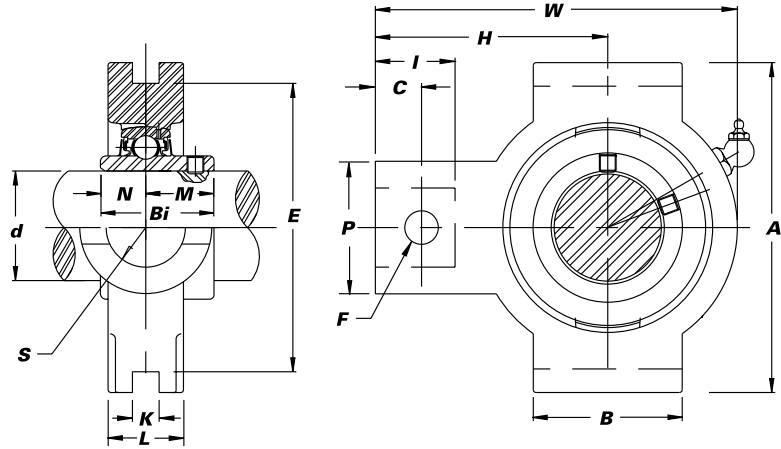


L3-type*

*Call for speed tolerances and available sizes

Narrow slot, set screw lock.

- » Cast iron housing
- » Wide inner race bearing



Unit No.	Shaft Dia.		Dimensions (in.) (mm)															Bearing No.	Housing No.	Weight (lbs.)	
	d	(in.) (mm)	I	C	P	S	B	k	E	A	W	L	F	H	Bi	N	M				
UCTRS 201		12																	UC 201		
201-8	1/2																		201-8		
202		15																	202		
202-10	5/8		7/8	7/16	13/8	3/4	1 1/2	1/4	2 5/8	3 1/8	3 1/2	3/4	5/16	2 3/16	1.2205	0.5000	0.7205	202-10	TRS 204	1.7	
203		17	22	11	35	19.1	38	6.4	66.7	79.4	89	19	8	56	31.0	12.7	18.3	203			
204-12	3/4																	204-12			
204		20																204			
UCTRS 205-14	7/8																		UC 205-14		
205-15	15/16		7/8	7/16	13/8	3/4	1 1/2	1/4	2 5/8	3 1/8	3 9/16	7/8	5/16	2 3/16	1.3386	0.5630	0.7756	205-15	TRS 205	1.9	
205		25	22	11	35	19.1	38	6.4	66.7	79.4	91	22	8	56	34.0	14.3	19.7	205			
205-16	1																	205-16			
UCTRS 206-17	1 1/16																		UC 206-17		
206-18	1 1/8																		206-18		
206		30	15/16	1/2	13/8	7/8	2 1/2	5/16	3 1/2	4 1/8	4 5/16	15/16	5/16	2 11/16	1.5000	0.6260	0.8740	206	TRS 206	2.9	
206-19	1 3/16		24	13	35	22.2	64	7.9	88.9	105	110	24	8	68	38.1	15.9	22.2	206-19			
206-20	1 1/4 S																	206-20			
UCTRS 207-20	1 1/4																		UC 207-20		
207-21	1 5/16																		207-21		
207-22	1 3/8		15/16	1/2	13/8	7/8	2 1/2	5/16	3 1/2	4 1/8	4 1/2	1	5/16	2 11/16	1.6890	0.6890	1.0000	207-22	TRS 207	3.5	
207		35	24	13	35	22.2	64	7.9	88.9	105	114	25	8	68	42.9	17.5	25.4	207			
207-23	1 7/16																	207-23			
UCTRS 208-24	1 1/2																		UC 208-24		
208-25	1 9/16		1 5/32	2 1/32	1 5/8	1 1/8	3	5/16	4	4 3/4	5 3/8	1 3/16	3/8	3 1/4	1.9370	0.7480	1.1890	208-25	TRS 208	5.5	
208		40	29	17	41	28.6	76	7.9	101.6	121	137	30	9.5	83	49.2	19.0	30.2	208			



Seal Options



B-type

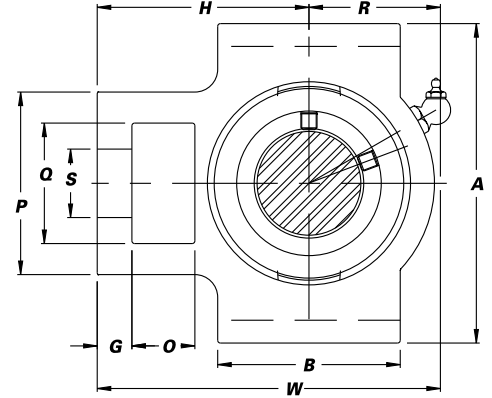
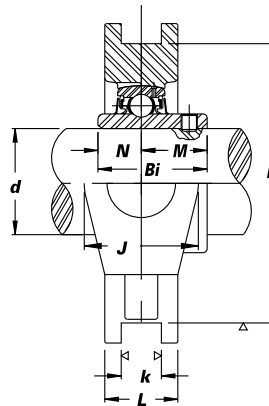


L3-type*

*Call for speed tolerances and available sizes

Wide slot, set screw lock.

- » Wide inner race bearing with greater load carrying capacity than standard duty
- » Cast iron housing



Unit No.	Shaft Dia.		Dimensions (in.) (mm)															Bearing No.	Housing No.	Weight (lbs.)			
	d (in.)	d (mm)	O	G	P	Q	S	B	K	E	A	W	J	L	R	H	Bi				N	M	
UCT X05-14	7/8																				UC X05-14		
X05-15	15/16	25	5/8	13/32	27/32	115/32	55/64	21/4	17/32	31/2	41/32	47/16	115/32	13/32	111/16	23/4	1.5000	0.6260	0.8740	X05-15	T 206	3.1	
X05			16	10	56	37	22	57	13.5	88.9	102	113	37	28	43	70	38.1	15.9	22.2	X05			
X05-16	1																			X05-16			
UCT X06-18	11/8	30	5/8	1/2	27/32	115/32	55/64	27/32	17/32	31/2	41/32	53/32	115/32	13/16	2	31/16	1.6890	0.6890	1.0000	UC X06-18			
X06			16	13	64	37	22	64	13.5	88.9	102	129	37	30	51	78	42.9	17.5	25.4	X06	T 207	3.7	
X06-19	13/16																			X06-19			
X06-20	11/4																			207-20			
UCT X07-22	13/8	35	3/4	5/8	33/32	115/16	19/64	33/32	11/16	4	41/2	521/32	115/16	13/16	27/32	315/32	1.9370	0.7480	1.1890	UC X07-22			
X07			19	16	83	49	29	83	17.5	101.6	114	144	49	33	56	88	49.2	19.0	30.2	X07	T 208	5.9	
X07-23	17/16																			X07-23			
UCT X08-24	11/2	40	3/4	5/8	33/32	115/16	19/64	33/32	11/16	4	419/32	521/32	115/16	13/8	21/4	37/16	1.9370	0.7480	1.1890	UC X08-24			
X08			19	16	83	49	29	83	17.5	101.6	117	144	49	35	57	87	49.2	19.0	30.2	X08	T 209	6.1	
UCT X09-26	15/8	45	3/4	5/8	33/32	115/16	19/64	33/8	11/16	4	419/32	57/8	115/16	115/32	23/16	317/32	2.0315	0.7480	1.2835	UC X09-26			
X09-27	111/16		19	16	83	49	29	86	17.5	101.6	117	149	49	37	59	90	51.6	19.0	32.6	X09-27	T 210	6.4	
X09-28	13/4																			X09-28			
X09																				X09			
UCT X10-30	17/8	50	1	3/4	41/32	277/32	13/8	33/4	11/16	51/8	53/4	623/32	277/32	11/2	23/16	43/16	2.1890	0.8740	1.3150	UC X10-30			
X10-31	115/16		25	19	102	64	35	95	27	130.2	146	171	64	38	65	106	55.6	22.2	33.4	X10-31	T 211	9.7	
X10																				X10			
X10-32	2																			211-32			
UCT X11-34	21/8	55	11/4	3/4	41/32	277/32	13/8	41/32	11/16	51/8	53/4	73/8	277/32	121/32	215/16	411/16	2.5630	1.0000	1.5630	UC X11-34			
X11			32	19	102	64	35	102	27	130.2	146	194	64	42	75	119	65.1	25.4	39.7	X11	T 212	11.7	
X11-35	23/16																			X11-35			
X11-36	21/4																			212-36			
UCT X12	23/8	60	11/4	13/16	43/8	23/4	139/64	43/4	11/16	515/16	69/16	813/16	23/4	123/32	37/16	513/32	2.5630	1.0000	1.5630	UC X12			
X12-38	27/16		32	21	111	70	41	121	27	150.8	167	224	70	44	87	137	65.1	25.4	39.7	X12-38	T 213	16.3	
X12-39																				X12-39			
UCT X13-40	21/2	65	11/4	13/16	43/8	23/4	139/64	43/4	11/16	515/16	69/16	813/16	23/4	113/16	37/16	513/32	2.9370	1.1890	1.7480	UC X13-40			
X13			32	21	111	70	41	121	27	150.8	167	224	70	46	87	137	74.6	30.2	44.4	X13	T 214	16.7	
UCT X14-43	211/16	70	11/4	13/16	43/8	23/4	139/64	43/4	11/16	515/16	69/16	91/8	23/4	17/8	35/8	51/2	3.0630	1.3110	1.7520	UC X14-43			
X14-44	23/4		32	21	111	70	41	121	27	150.8	167	232	70	48	92	140	77.8	33.3	44.5	X14-44	T 215	17.4	
X14																				X14			
UCT X15-47	215/16	75	11/4	13/16	43/8	23/4	139/64	43/4	11/16	61/2	71/4	91/4	23/4	2	33/4	51/2	3.2520	1.3110	1.9410	UC X15-47			
X15			32	21	111	70	41	121	27	165	184	235	70	51	95	140	82.6	33.3	49.3	X15	TX15	19.1	
X15-48	3																			X15-48			
UCT X17	85	85	11/2	13/32	47/8	27/8	157/64	69/16	13/32	613/16	725/32	101/4	27/8	21/8	327/32	69/8	3.7795	1.5630	2.2165	UC X17			
X17-55	37/16		38	28	124	73	48	157	28	173	198	260	73	54	98	162	96.0	39.7	56.3	X17-55	TX17	25.7	
X17-56	31/2																			X17-56			

Interchange Page 95

UC & UCW BEARING INSERTS



Seal Options



B-type

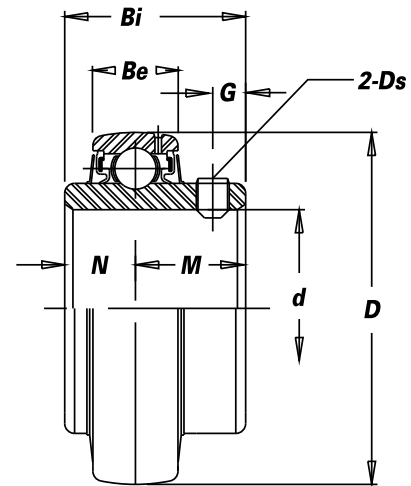


L3-type*

*Call for speed tolerances and available sizes

Set screw lock.

» Wide inner race



Bearing No.	Bore Dia. of Bearing		Dimensions (in. (mm))							Basic Load Rating (lbs.)	Basic Static Load Rating (lbs.)	Weight (lbs.)	
	d (in.)	d (mm)	D	Bi	Be	N	M	G	Ds (in.)				
UCW 201		12										0.26	
201-8	1/2											0.26	
202		15	1.5748	1.0236	0.5906	0.3937	0.6299	0.1575		10-32UNF	2,040	1,020	0.24
202-10	5/8		40.0	26.0	15.0	10.0	16.0	4.0					0.24
203		17											0.22
UC 201		12											0.46
201-8	1/2												0.46
202		15	1.8504	1.2205	0.6299	0.5000	0.7205	0.1969		1/4-28UNF	2,740	1,600	0.42
202-10	5/8		47.0	31.0	16.0	12.7	18.3	5.0					0.42
203		17											0.40
204-12	3/4												0.35
204		20											0.35
UC 205-14	7/8												0.51
205-15	15/16		2.0472	1.3386	0.6693	0.5630	0.7756	0.2165		1/4-28UNF	3,010	1,750	0.46
205		25	52.0	34.0	17.0	14.3	19.7	5.5					0.44
205-16	1												0.44
UC 206-17	1 1/16												0.81
206-18	1 1/8												0.75
206		30	2.4409	1.5000	0.7480	0.6260	0.8740	0.2362		1/4-28UNF	4,200	2,430	0.71
206-19	1 3/16		62.0	38.1	19.0	15.9	22.2	6.0					0.71
206-20	1 1/4S												0.71
UC 207-20	1 1/4												1.19
207-21	1 3/8												1.12
207-22	1 3/8		2.8346	1.6890	0.7874	0.6890	1.0000	0.2559		5/16-24UNF	5,535	3,340	1.06
207		35	72.0	42.9	20.0	17.5	25.4	6.5					1.06
207-23	1 7/16												0.99
UC 208-24	1 1/2												1.50
208-25	1 9/16												1.43
208		40	3.1496	1.9370	0.8268	0.7480	1.1890	0.3150		5/16-24UNF	6,375	3,960	1.41
			80.0	49.2	21.0	19.0	30.2	8.0					1.41
UC 209-26	1 5/8												1.72
209-27	1 11/16												1.63
209-28	1 3/4		3.3465	1.9370	0.8661	0.7480	1.1890	0.3150		5/16-24UNF	7,110	4,460	1.54
209		45	85.0	49.2	22.0	19.0	30.2	8.0					1.50
UC 210-30	1 7/8												1.92
210-31	1 15/16												1.81
210		50	3.5433	2.0315	0.9449	0.7480	1.2835	0.3543		3/8-24UNF	7,400	4,910	1.76
210-32	2S		90.0	51.6	24.0	19.0	32.6	9.0					1.66
UC 211-32	2												2.78
211-34	2 1/8												2.54
211		55	3.9370	2.1890	0.9843	0.8740	1.3150	0.3543		3/8-24UNF	9,490	6,440	2.45
211-35	2 3/16		100.0	55.6	25.0	22.2	33.4	9.0					2.40
UC 212-36	2 1/4												3.68
212		60	4.3307	2.5630	1.0630	1.0000	1.5630	0.4134		3/8-24UNF	11,500	7,940	3.40
212-38	2 3/8		110.0	65.1	27.0	25.4	39.7	10.5					3.34
212-39	2 1/2												3.20
UC 213-40	2 1/2												4.28
213		65	4.7244	2.5630	1.1024	1.0000	1.5630	0.4724		1/2-20UNF	12,400	8,760	4.10
			120.0	65.1	28.0	25.4	39.7	12.0					4.10
UC 214-43	2 11/16												4.60
214-44	2 3/4												4.54
214		70	4.9210	2.9370	1.1811	1.1890	1.7480	0.4724		1/2-20UNF	13,530	9,620	4.52
			125.0	74.6	30.0	30.2	44.4	12.0					4.52
UC 215-47	2 15/16												5.02
215		75	5.1181	3.0630	1.2598	1.3110	1.7520	0.4724		1/2-20UNF	14,620	10,540	4.87
215-48	3		130.0	77.8	32.0	33.3	44.5	12.0					4.67
UC 216		80	5.5118	3.2520	1.2992	1.3110	1.9410	0.5512		1/2-20UNF	16,000	11,700	6.15
			140	82.6	33	33.3	49.3	14					6.15
UC 218-56	3 1/2												9.83
218		90	6.2992	3.7795	1.4961	1.5630	2.2165	0.5906		1/2-20UNF	21,120	15,700	9.59
			160.0	96.0	38.0	39.7	56.3	15.0					9.59

NA & NAW BEARING INSERTS



Seal Options



B-type

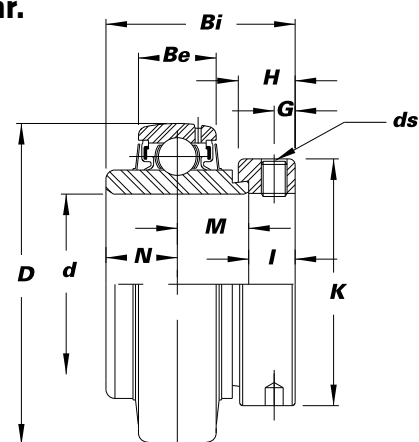


L3-type*

*Call for speed tolerances and available sizes

Eccentric locking collar.

» Wide inner race



Bearing No.	Bore Dia. of Bearing		Dimensions (in.) (mm)										Basic Load Rating (lbs.)	Basic Static Load Rating (lbs.)	Weight (lbs.)	
	d		D	Bi	Be	N	M	I	K	H	G	Ds				
	(in.)	(mm)														
NAW 201		12														0.35
201-8	1/2															0.35
202		15	1.5748	1.4685	0.5906	0.5472	0.5472	0.3740	1.1260	0.5315	0.1890	1/4-28UNF	2,040	1,020	0.31	
202-10	5/8		40.0	37.3	15.0	13.9	13.9	9.5	28.6	13.5	4.8				0.31	
203		17													0.29	
NA 201		12													0.64	
201-8	1/2														0.62	
202		15	1.8504	1.7126	0.6299	0.6693	0.6693	0.3740	1.3110	0.5315	0.1890	1/4-28UNF	2,740	1,600	0.60	
202-10	5/8		47.0	43.5	16.0	17.0	17.0	9.5	33.3	13.5	4.8				0.57	
203		17													0.55	
204-12	3/4														0.51	
204		20													0.49	
NA 205-14	7/8														0.64	
205-15	15/16		2.0472	1.7441	0.6693	0.6850	0.6850	0.3740	1.5000	0.5315	0.1890	1/4-28UNF	3,010	1,750	0.60	
205		25	52.0	44.3	17.0	17.4	17.4	9.5	38.1	13.5	4.8				0.55	
205-16	1														0.55	
NA 206-17	1 1/16														0.99	
206-18	1 1/8		2.4409	1.9016	0.7480	0.7165	0.7165	0.4685	1.7520	0.6260	0.2362	5/16-24UNF	4,200	2,430	0.95	
206		30	62.0	48.3	19.0	18.2	18.2	11.9	44.5	15.9	6.0				0.90	
206-19	1 3/16														0.90	
206-20	1 1/4S														0.84	
NA 207-20	1 1/4														1.50	
207-21	1 3/8		2.8346	2.0118	0.7874	0.7402	0.7402	0.5315	2.1890	0.6890	0.2677	5/16-24UNF	5,535	3,340	1.43	
207-22	1 3/8		72.0	51.1	20.0	18.8	18.8	13.5	55.6	17.5	6.8				1.34	
207		35													1.34	
207-23	1 7/16														1.28	
NA 208-24	1 1/2		3.1496	2.2165	0.8268	0.8425	0.8425	0.5315	2.3740	0.7205	0.2677	5/16-24UNF	6,375	3,960	1.83	
208-25	1 9/16		80.0	56.3	21.0	21.4	21.4	13.5	60.3	18.3	6.8				1.77	
208		40													1.72	
NA 209-26	1 5/8		3.3465	2.2165	0.8661	0.8425	0.8425	0.5315	2.5000	0.7205	0.2677	5/16-24UNF	7,110	4,460	2.22	
209-27	1 11/16		85.0	56.3	22.0	21.4	21.4	13.5	63.5	18.3	6.8				2.01	
209-28	1 3/4														1.92	
209		45													1.87	
NA 210-30	1 7/8		3.5433	2.4685	0.9449	0.9685	0.9685	0.5315	2.7520	0.7205	0.2677	5/16-24UNF	7,400	4,910	2.38	
210-31	1 9/16		90.0	62.7	24.0	24.6	24.6	13.5	69.9	18.3	6.8				2.29	
210		50													2.23	
210-32	2S														2.17	
NA 211-32	2		3.9370	2.8110	0.9843	1.0906	1.0906	0.6299	3.0000	0.8189	0.3150	3/8-24UNF	9,490	6,440	3.48	
211-34	2 1/8		100.0	71.4	25.0	27.7	27.7	16.0	76.2	20.8	8.0				3.30	
211		55													3.06	
211-35	2 3/16														3.00	
NA 212-36	2 1/4		4.3307	3.0630	1.0630	1.2165	1.2165	0.6299	3.3150	0.8740	0.3150	3/8-24UNF	11,500	7,490	4.48	
212		60	110.0	77.8	27.0	30.9	30.9	16.0	84.2	22.2	8.0				4.12	
212-38	2 3/8														4.00	
212-39	2 1/2														3.88	
NA 213-40	2 1/2		4.7244	3.3740	1.1024	1.3425	1.3425	0.6890	3.3858	0.9252	0.3346	3/8-24UNF	12,400	8,760	5.53	
213		65	120.0	85.7	28.0	34.1	34.1	17.5	86.0	23.5	8.5				5.31	
NA 214-44	2 3/4		4.9213	3.3740	1.1811	1.3425	1.3425	0.6890	3.5433	0.9252	0.3346	3/8-24UNF	13,530	9,620	5.80	
214		70	125.0	85.7	30.0	34.1	34.1	17.5	90.0	23.5	8.5				5.67	
NA 215-47	2 5/8		5.1181	3.6260	1.2598	1.4685	1.4685	0.6890	4.0157	0.9252	0.3346	3/8-24UNF	14,620	10,540	6.26	
215		75	130.0	92.1	32.0	37.3	37.3	17.5	102.0	23.5	8.5				6.04	
215-48	3														5.84	

MEDIUM DUTY



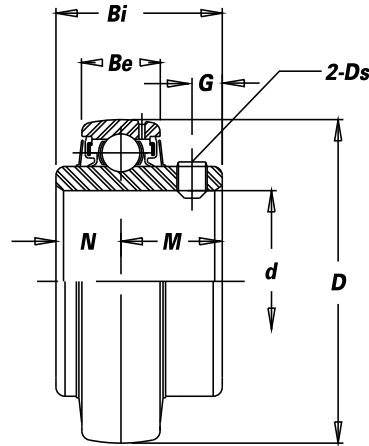
Seal Options



*Call for speed tolerances and available sizes

Set screw lock.

» Wide inner race with greater load carrying capacity than UC insert



Bearing No.	Bore Dia. of Bearing		Dimensions (in. (mm))							Basic Load Rating (lbs.)	Basic Static Load Rating (lbs.)	Weight (lbs.)
	d		D	Bi	Be	N	M	G	Ds			
	(in.)	(mm)										
UC X05-14	7/8											0.93
X05-15	15/16		2.4409	1.5000	0.7480	0.6260	0.8740	0.2362	1/4-28UNF	4,200	2,430	0.89
X05	25	25	62.0	38.1	19.0	15.9	22.2	6.0				0.86
X05-16	1											0.84
UC X06-18	1 1/8											1.35
X06	30	30	2.8346	1.6890	0.7874	0.6890	1.0000	0.2559	5/16-24UNF	5,535	3,340	1.28
X06-19	13/16		72.0	42.9	20.0	17.5	25.4	6.5				1.28
X06-20	1 1/4											1.21
UC X07-22	1 3/8											1.65
X07	35	35	3.1496	1.9370	0.8268	0.7480	1.1890	0.3150	5/16-24UNF	6,375	3,960	1.65
X07-23	17/16		80.0	49.2	21.0	19.0	30.2	8.0				1.59
UC X08-24	1 1/2											1.92
X08	40	40	3.3465	1.9370	0.8661	0.7480	1.1890	0.3150	5/16-24UNF	7,110	4,460	1.83
			85.0	49.2	22.0	19.0	30.2	8.0				1.83
UC X09-26	1 5/8											2.36
X09-27	1 11/16		3.5433	2.0315	0.9449	0.7480	1.2835	0.3543	3/8-24UNF	7,400	4,910	2.23
X09-28	1 3/4		90.0	51.6	24.0	19.0	32.6	9.0				2.14
X09	45	45										2.09
UC X10-30	1 7/8											3.00
X10-31	1 15/16		3.9370	2.1890	0.9843	0.8740	1.3150	0.3543	3/8-24UNF	9,490	6,440	2.91
X10	50	50	100.0	55.6	25.0	22.2	33.4	9.0				2.84
X10-32	2											2.78
UC X11-34	2 1/8											4.12
X11	55	55	4.3307	2.5630	1.0630	1.0000	1.5630	0.4134	3/8-24UNF	11,500	7,940	3.97
X11-35	2 3/16		110.0	65.1	27.0	25.4	39.7	10.5				3.92
X11-36	2 1/4											3.75
UC X12	60	60	4.7244	2.5630	1.1024	1.0000	1.5630	0.4724	1/2-20UNF	12,400	8,760	4.52
X12-38	2 3/8		120.0	65.1	28.0	25.4	39.7	12.0				4.48
X12-39	2 7/16											4.30
UC X13-40	2 1/2											4.75
X13	65	65	4.9213	2.9370	1.1811	1.1890	1.7480	0.4724	1/2-20UNF	13,530	9,620	4.56
			125.0	74.6	30.0	30.2	44.4	12.0				4.56
UC X14-43	2 11/16											6.06
X14	70	70	5.1181	3.0630	1.2598	1.3110	1.7520	0.4724	1/2-20UNF	14,620	10,540	6.04
			130.0	77.8	32.0	33.3	44.5	12.0				6.04
UC X15-47	2 15/16											7.77
X15	75	75	5.5118	3.2520	1.2992	1.3110	1.9410	0.5512	1/2-20UNF	16,000	11,700	7.52
X15-48	3		140.0	82.6	33.0	33.3	49.3	14.0				7.32
UC X17	85	85	6.2992	3.7795	1.4961	1.5630	2.2165	0.5906	1/2-20UNF	21,120	15,800	11.1
X17-55	3 7/16		160.0	96.0	38.0	39.7	56.3	15.0				10.7
X17-56	3 1/2											10.4
UC X20	100	100	7.4803	4.6260	1.6929	1.9370	2.6890	0.7087	5/8-18UNF	29,300	23,100	18.9
X20-63	3 15/16		190.0	117.5	43.0	49.2	68.3	18.0				18.6
X20-64	4											18.4

SB & CSB BEARING INSERTS

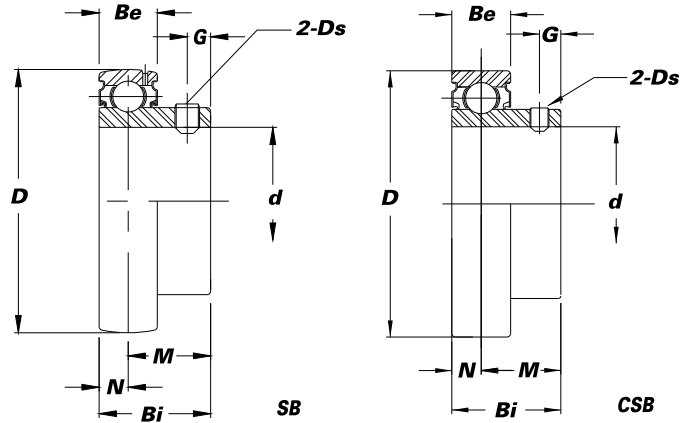


Seal Options



Set screw lock.

- » Available relubricatable or non-relubricatable
- » Narrow inner race
- » Spherical (SB) and cylindrical (CSB)



Bearing No.	Bore Dia. of Bearing		Dimensions (in. (mm))							Basic Load Rating (lbs.)	Basic Static Load Rating (lbs.)	Weight (lbs.)
	<i>d</i>	<i>d</i>	<i>Be</i>	<i>D</i>	<i>Bi</i>	<i>N</i>	<i>M</i>	<i>G</i>	<i>Ds</i>			
SB_G Relubricatable Inserts												
SB 201G		12										
201-8G	1/2											
202G		15	0.4724	1.5748	0.8661	0.2362	0.6299	0.1575	10-32UNF	2,040	1,020	0.22
202-10G	5/8		12.0	40.0	22.0	6.0	16.0	4.0				
203G		17										
SB 204-12G	3/4		0.5512	1.8504	0.9843	0.2756	0.7087	0.1969	1/4-28UNF	2,740	1,600	0.33
204G		20	14.0	47.0	25.0	7.0	18.0	5.0				
SB 205-14G	7/8		0.5906	2.0472	1.0630	0.2953	0.7677	0.2165	1/4-28UNF	3,010	1,750	0.40
205-15G	15/16		15.0	52.0	27.0	7.5	19.5	5.5				
205G		25										
205-16G	1											
SB 206-17G	1 1/16		0.7087	2.4409	1.1811	0.3150	0.8661	0.2362	1/4-28UNF	4,200	2,430	0.68
206-18G	1 1/8		18.0	62.0	30.0	8.0	22.0	6.0				
206G		30										
206-19G	1 3/16											
206-20G	1 1/4 S											
SB 207-20G	1 1/4		0.7480	2.8346	1.2992	0.3740	0.9252	0.2362	5/16-24UNF	5,535	3,340	1.06
207-21G	1 5/16		19.0	72.0	33.0	9.5	23.5	6.0				
207-22G	1 3/8											
207G		35										
207-23G	1 7/16											
SB 208-24G	1 1/2		0.8661	3.1496	1.4173	0.4331	0.9843	0.3150	5/16-24UNF	6,375	3,960	1.51
208-25G	1 9/16		22.0	80.0	36.0	11.0	25.0	8.0				
208G		40										

SB_N and CSB Non-Relubricatable Inserts

SB 201N		12										
201-8N	1/2											
202N		15	0.4724	1.5748	0.8661	0.2362	0.6299	0.1575	10-32UNF	2,040	1,020	0.22
202-10N	5/8		12.0	40.0	22.0	6.0	16.0	4.0				
203N		17										
SB 204-12N	3/4		0.5512	1.8504	0.9843	0.2756	0.7087	0.1969	1/4-28UNF	2,740	1,600	0.33
204N		20	14.0	47.0	25.0	7.0	18.0	5.0				
SB 205-14N	7/8		0.5906	2.0472	1.0630	0.2953	0.7677	0.2165	1/4-28UNF	3,010	1,750	0.40
205-15N	15/16		15.0	52.0	27.0	7.5	19.5	5.5				
205N		25										
205-16N	1											
SB 206-17N	1 1/16		0.6299	2.4409	1.1417	0.3150	0.8267	0.2362	1/4-28UNF	4,200	2,430	0.60
206-18N	1 1/8		16.0	62.0	29.0	8.0	21.0	6.0				
206N		30										
206-19N	1 3/16											
206-20N	1 1/4 S											
SB 207-20N	1 1/4		0.6693	2.8346	1.2598	0.3346	0.9252	0.2362	5/16-24UNF	5,535	3,340	0.93
207-21N	1 5/16		17.0	72.0	32.0	8.5	23.5	6.0				
207-22N	1 3/8											
207N		35										
207-23N	1 7/16											
SB 208-24N	1 1/2		0.7087	3.1496	1.3386	0.3543	0.9843	0.3150	5/16-24UNF	6,375	3,960	1.32
208N		40	18.0	80.0	34.0	9.0	25.0	8.0				

SA & CSA BEARING INSERTS



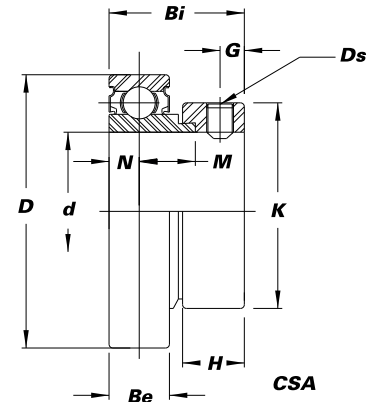
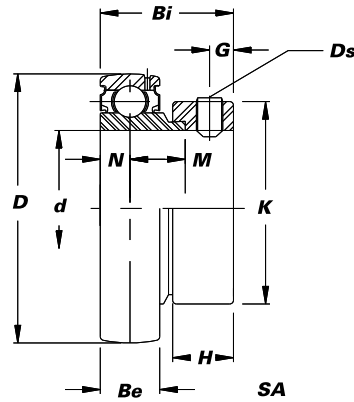
Seal Options



K-type

Eccentric locking collar.

- » Narrow inner race
- » Available relubricatable (G) or non-relubricatable (N)
- » Spherical (SA) and cylindrical (CSA)



Bearing No.	Bore Dia. of Bearing		Dimensions (in.) (mm)									Basic Load Rating (lbs.)	Basic Static Load Rating (lbs.)	Weight (lbs.)	
	<i>d</i>	<i>d</i>	<i>Be</i>	<i>D</i>	<i>Bi</i>	<i>N</i>	<i>M</i>	<i>G</i>	<i>Ds</i>	<i>K</i>	<i>H</i>				
SA201		12													
201-8	1/2	15	0.5118	1.5748	1.1260	0.2559	0.4960	0.1890							
202		15	13.0	40.0	28.6	6.5	12.6	4.8	1/4-28UNF	1.1260	0.5315	2,040	1,020	0.29	
202-10	5/8	17													
203		17													
SA204-12	3/4	20	0.5906	1.8504	1.2205	0.2953	0.5512	0.1890	1/4-28UNF	1.3110	0.5315	2,740	1,600	0.43	
204		20	15.0	47.0	31.0	7.5	14.0	4.8		33.3	13.5				
SA205-14	7/8	25	0.5906	2.0472	1.2205	0.2953	0.5513	0.1890	1/4-28UNF	1.5000	0.5315	3,010	1,750	0.51	
205-15	15/16	25	15.0	52.0	31.0	7.5	14.0	4.8		38.1	13.5				
205		25													
205-16	1	30													
SA206-17	1 1/16	30	0.7087	2.4409	1.4055	0.3543	0.5827	0.2362	5/16-24UNF	1.7520	0.6260	4,200	2,430	0.75	
206-18	1 1/8	30	18.0	62.0	35.7	9.0	14.8	6.0		44.5	15.9				
206		30													
206-19	1 3/16	35													
206-20	1 1/4S	35													
SA207-20	1 1/4	35	0.7480	2.8346	1.5315	0.3740	0.6260	0.2677	5/16-24UNF	2.1890	0.6890	5,535	3,340	1.26	
207-21	1 5/16	35	19.0	72.0	38.9	9.5	15.9	6.8		55.6	17.5				
207-22	1 3/8	35													
207		35													
207-23	1 7/16	40													
SA208-24	1 1/2	40	0.8661	3.1496	1.7205	0.4331	0.7559	0.2677	5/16-24UNF	2.3740	0.7205	6,375	3,960	1.65	
208-25	1 5/8	40	22.0	80.0	43.7	11.0	19.2	6.8		60.3	18.3				
208		40													
SA209-26	1 5/8	45	0.8661	3.3465	1.7205	0.4331	0.7559	0.2677	5/16-24UNF	2.5000	0.7205	7,110	4,460	1.81	
209-27	1 11/16	45	22.0	85.0	43.7	11.0	19.2	6.8		63.5	18.3				
209-28	1 3/4	45													
209		45													
SA210-30	1 7/8	50	0.8661	3.5433	1.7205	0.4331	0.7559	0.2677	5/16-24UNF	2.7520	0.7205	7,400	4,910	1.87	
210-31	1 15/16	50	22.0	90.0	43.7	11.0	19.2	6.8		69.9	18.3				
210		50													
210-32	2S	55													
SA211-32	2	55	0.9449	3.9370	1.9055	0.4724	0.8031	0.3150	3/8-24UNF	3.0000	0.8189	9,490	6,440	2.65	
211-34	2 1/8	55	24.0	100.0	48.4	12.0	20.4	8.0		76.2	20.8				
211		55													
211-35	2 3/16	55													

IPTCI's high temperature bearing inserts are designed for applications up to 400° F (continuous), 450° F (intermittent). These special insert bearings can be used in any of our gray iron, plated, or stainless housings.

IPTCI's HUC inserts consist of the following:

- Specially heat treated rings.
- C4 Internal Clearance – To accommodate thermal expansion. (See pg. 87 clearance data.)
- Silicone Rubber Seals – Offering excellent long term heat resistance.
- B-type seal configuration for wash down protection.
- High temperature, H-1 food grade grease with operating range of -45° F to +450° F.
- Black oxide finish, for additional corrosion resistance.



Note: External dimensions of HUC are the same as UC bearing insert shown on page 44. Please inquire about High Temperature **ER Inserts** (HER).

HUC bearings are available as follows:

Bearing Inserts

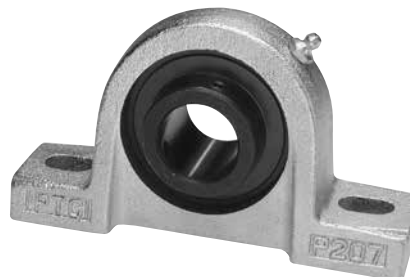
Unit No.	Shaft Dia. (in.)
204	$\frac{3}{4}$
205	$\frac{7}{8}, 1$
206	$1\frac{1}{16}, 1\frac{1}{4}S$
207	$1\frac{1}{4}, 1\frac{3}{8}, 1\frac{1}{16}$
208	$1\frac{1}{2}$
209	$1\frac{11}{16}, 1\frac{3}{4}$
210	$1\frac{9}{16}, 2S$



Mounted Units

Available in Standard and Corrosion Resistant Products

Unit No.	Shaft Dia. (in.)
204	$\frac{3}{4}$
205	$\frac{7}{8}, 1$
206	$1\frac{1}{16}, 1\frac{1}{4}S$
207	$1\frac{1}{4}, 1\frac{3}{8}, 1\frac{1}{16}$
208	$1\frac{1}{2}$
209	$1\frac{11}{16}, 1\frac{3}{4}$
210	$1\frac{9}{16}, 2S$



Bearing Insert Options



SUC, SNA, SSB – Stainless Steel

The most common solution for hostile chemical wash down applications, IPTCI's stainless inserts are composed of the following:

Balls & Rings	440 Stainless Steel
Set Screws	410 Stainless Steel
Slinger & Seal Frame	302 Stainless Steel
Retainer	302 Stainless Steel
Eccentric Collar (SNA only)	304 Stainless Steel
Seal	Silicone Rubber
Lubrication	H-1 Food Grade Grease
Operating Temp. Range	-10° F to 250° F



SSER – Stainless Steel ER Style

With the same component composition of SUC, SSER is designed to keep your cylindrical applications turning in corrosive environments. Also see black oxide ER bearings.



CUC – Hard Chrome Coated

Highly effective for intermediate wash down applications, chrome coated inserts can dramatically extend bearing life beyond that of other plated bearing products. CUC inserts are composed of the following:

Rings	Hard Chrome Coated
Balls	440 Stainless Steel
Set Screws	410 Stainless Steel
Slinger & Seal Frame	302 Stainless Steel
Retainer	302 Stainless Steel*
Eccentric Collar (CNA only)	304 Stainless Steel
Seal	Silicone Rubber
Lubrication	H-1 Food Grade Grease
Operating Temp. Range	-10° F to 250° F

*chrome coated for sizes 213-215



BUC – Black Oxide

A popular choice for mildly corrosive applications. Also see Black Oxide ER and Black Oxide High Temperature HUC bearings.

Housing Options



304 Stainless Steel

Stainless steel housings are generally the most effective solution for highly corrosive applications. They do not experience the same flaking, cracking, deformation or discoloration issues associated with other corrosion resistant housing materials. They are virtually unaffected by scrapes and can easily handle significant radial loads.

To reduce residual contaminants, **IPTCI** stainless housings are made with extremely smooth surfaces and have solid bases and backs. Many styles are also available with end caps.

316 Stainless Steel

A frequently requested choice for certain chemical environments. 316 is available on a made to order basis.



Thermoplastic

Where proven corrosion resistance must be balanced with more favorable economics, IPTCI's thermoplastic housings are an excellent choice, and can be assembled with any insert in our catalog.

IPTCI's thermoplastic housings are off-white in color and made from glass reinforced PBT resin. Along with excellent chemical resistance, this high performance grade plastic offers very favorable mechanical, thermal and electrical properties. Also, compared with other types of plastics, IPTCI thermoplastic is very resistant to moisture absorption. Operating temperature range is -10° F to 210° F.

Like our stainless steel housings, IPTCI thermoplastic housings are made with extremely smooth surfaces and have solid bases and backs. All sleeves, bushings and grease fittings used in our thermoplastic units are made from 300 series stainless steel.



Nickel Plated

Used with stainless, hard chrome coated, or black oxide inserts, IPTCI's copper nickel chrome housings are a common choice when the housing requires mild to intermediate corrosion protection.

End Caps

For additional protection from contamination, or for increased personnel safety, many of IPTCI's stainless and thermoplastic housings are available with plastic end caps.

SUCSP & SNASP PILLOW BLOCKS

ALL STAINLESS STEEL



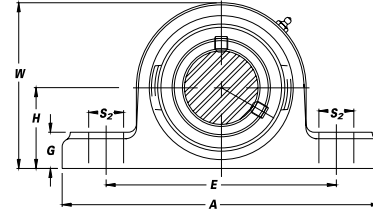
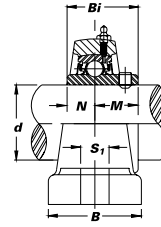
Seal Options



*Call for speed tolerances and available sizes

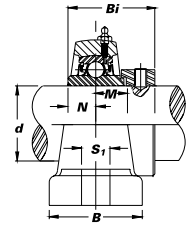
SUCSP

» Set screw locking



SNASP

» Eccentric locking collar



Unit No.	Shaft Dia.		Dimensions (in.) (mm)										Bolt Used	Bearing No.	Housing No.	Weight (lbs.)
	d (in.)	d (mm)	H	A	E	B	S ₂	S ₁	G	W	Bi	N				

SUCSP Set Screw Type

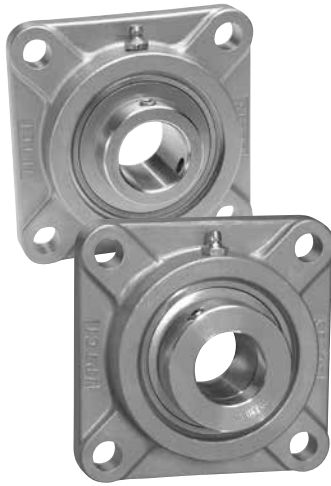
SUCSP 201-8	1/2	12.7	5	33/4	11/2	11/16	7/16	19/32	29/16	1.2205	0.5000	0.7205	3/8	SUC 201-8	SP 204	1.8												
202-10	5/8	33.3	127	95	38	17	11	15	65	31.0	12.7	18.3		SUC 202-10														
SUCSP 204-12	3/4	20	19/16	5	33/4	11/2	11/16	7/16	19/32	29/16	1.2205	0.5000	0.7205	3/8	SUC 204-12	SP 204	1.6											
204			33.3	127	95	38	17	11	15	65	31.0	12.7	18.3		SUC 204													
SUCSP 205-14	7/8	25	17/16	5 ¹⁵ / ₃₂	4 ⁷ / ₈	11/2	11/16	1/2	5/8	23/4	1.3386	0.5630	0.7756	3/8	SUC 205-14	SP 205	2.1											
205			36.5	139	105	38	17	13	16	70	34.0	14.3	19.7		SUC 205													
SUCSP 205-16	1	25	36.5	139	105	38	17	13	16	70	34.0	14.3	19.7	3/8	SUC 205-16	SP 205	2.1											
SUCSP 206-18	11/8	30	11 ¹ / ₁₆	6 ¹³ / ₃₂	4 ³ / ₄	1 ²⁷ / ₃₂	1 ³ / ₁₆	9/16	11/16	3 ¹⁹ / ₆₄	1.5000	0.6260	0.8740	1/2	SUC 206-18	SP 206	3.3											
206			42.9	163	121	47	21	14	18	84	38.1	15.9	22.2		SUC 206													
SUCSP 206-19	1 ³ / ₁₆	30	42.9	163	121	47	21	14	18	84	38.1	15.9	22.2	1/2	SUC 206-19	SP 206	3.3											
SUCSP 206-20	1 ¹ / ₄ S	30	42.9	163	121	47	21	14	18	84	38.1	15.9	22.2	1/2	SUC 206-20	SP 206	3.3											
SUCSP 207-20	11/4	35	47.6	166	5	1 ²⁹ / ₃₂	7/8	9/16	3/4	3 ¹¹ / ₁₆	1.6890	0.6890	1.0000	1/2	SUC 207-20	SP 207	4.2											
207-21	1 ⁵ / ₁₆														6 ¹⁷ / ₃₂			5	1 ²⁹ / ₃₂	7/8	9/16	3/4	3 ¹¹ / ₁₆	1.6890	0.6890	1.0000	SUC 207-21	
207-22	1 ³ / ₈														47.6			166	127	48	22	14	19	94	42.9	17.5	25.4	SUC 207-22
207	17/16														47.6			166	127	48	22	14	19	94	42.9	17.5	25.4	SUC 207
SUCSP 207-23	17/16	35	47.6	166	127	48	22	14	19	94	42.9	17.5	25.4	1/2	SUC 207-23	SP 207	4.2											
SUCSP 208-24	11/2	40	1 ¹⁵ / ₁₆	7 ¹ / ₄	5 ³ / ₈	2	7/8	9/16	2 ⁵ / ₃₂	3 ¹⁵ / ₁₆	1.9370	0.7480	1.1890	1/2	SUC 208-24	SP 208	5.4											
208			49.2	184	136	51	22	14	20	100	49.2	19.0	30.2		SUC 208													
SUCSP 209-27	1 ¹¹ / ₁₆	45	2 ¹ / ₈	7 ¹ / ₂	5 ³ / ₄	2 ¹ / ₁₆	1 ³ / ₁₆	19/32	2 ⁵ / ₃₂	4 ⁷ / ₃₂	1.9370	0.7480	1.1890	1/2	SUC 209-27	SP 209	5.8											
209-28			54.0	190	146	52	21	15	20	107	49.2	19.0	30.2		SUC 209-28													
SUCSP 209	1 ³ / ₄	45	54.0	190	146	52	21	15	20	107	49.2	19.0	30.2	1/2	SUC 209	SP 209	5.8											
SUCSP 210-31	1 ¹⁵ / ₁₆	50	2 ¹ / ₄	8	6 ¹ / ₄	2 ⁵ / ₁₆	1 ⁵ / ₁₆	2 ³ / ₃₂	7/8	4 ¹ / ₂	2.0315	0.7480	1.2835	5/8	SUC 210-31	SP 210	7.0											
210			57.2	203	159	59	24	18	22	114	51.6	19.0	32.6		SUC 210													
SUCSP 210-32	2S	50	57.2	203	159	59	24	18	22	114	51.6	19.0	32.6	5/8	SUC 210-32	SP 210	7.0											
SUCSP 211-32	2	40	2 ¹ / ₂	8 ¹⁷ / ₃₂	6 ⁷ / ₈	2 ³ / ₈	1 ⁵ / ₁₆	2 ³ / ₃₂	7/8	4 ¹⁵ / ₁₆	2.1890	0.8740	1.3150	5/8	SUC 211-32	SP 211	8.8											
211-35	2 ³ / ₁₆		63.5	217	174	60	24	18	22	125	55.6	22.2	33.4		SUC 211-35													
SUCSP 212-36	2 ¹ / ₄	40	2 ³ / ₄	9 ¹⁵ / ₃₂	7 ¹¹ / ₃₂	2 ¹ / ₂	1	2 ⁵ / ₃₂	1	5 ⁵ / ₈	2.5630	1.0000	1.5630	5/8	SUC 212-36	SP 212	11.2											
212-39	2 ⁷ / ₁₆		69.8	240	187	64	25	20	25	137	65.1	25.4	39.7		SUC 212-39													

SNASP Eccentric Locking Collar Type

SNASP 204-12	3/4	20	1 ⁵ / ₁₆	5	3 ³ / ₄	11/2	11/16	7/16	19/32	29/16	1.5433	0.5000	0.6693	3/8	SNA 204-12	SP 204	1.7											
204			33.3	127	95	38	17	11	15	65	39.2	12.7	17.0		SNA 204													
SNASP 205-14	7/8	25	17/16	5 ¹⁵ / ₃₂	4 ⁷ / ₈	11/2	11/16	1/2	5/8	23/4	1.6220	0.5630	0.6850	3/8	SNA 205-14	SP 205	2.2											
205			36.5	139	105	38	17	13	16	70	41.2	14.3	17.4		SNA 205													
SNASP 205-16	1	25	36.5	139	105	38	17	13	16	70	41.2	14.3	17.4	3/8	SNA 205-16	SP 205	2.2											
SNASP 206-18	11/8	30	11 ¹ / ₁₆	6 ¹³ / ₃₂	4 ³ / ₄	1 ²⁷ / ₃₂	1 ³ / ₁₆	9/16	11/16	3 ¹⁹ / ₆₄	1.8110	0.6260	0.7165	1/2	SNA 206-18	SP 206	3.4											
206			42.9	163	121	47	21	14	18	84	46.0	15.9	18.2		SNA 206													
SNASP 206-19	1 ³ / ₁₆	30	42.9	163	121	47	21	14	18	84	46.0	15.9	18.2	1/2	SNA 206-19	SP 206	3.4											
SNASP 206-20	1 ¹ / ₄ S	30	42.9	163	121	47	21	14	18	84	46.0	15.9	18.2	1/2	SNA 206-20	SP 206	3.4											
SNASP 207-20	11/4	35	47.6	166	5	1 ²⁹ / ₃₂	7/8	9/16	3/4	3 ¹¹ / ₁₆	1.9606	0.6890	0.7402	1/2	SNA 207-20	SP 207	4.4											
207-22	1 ³ / ₈														6 ¹⁷ / ₃₂			5	1 ²⁹ / ₃₂	7/8	9/16	3/4	3 ¹¹ / ₁₆	1.9606	0.6890	0.7402	SNA 207-22	
207	17/16														47.6			166	127	48	22	14	19	94	49.8	17.5	18.8	SNA 207
207-23	17/16														47.6			166	127	48	22	14	19	94	49.8	17.5	18.8	SNA 207-23
SNASP 208-24	11/2	40	1 ¹⁵ / ₁₆	7 ¹ / ₄	5 ³ / ₈	2	7/8	9/16	2 ⁵ / ₃₂	3 ¹⁵ / ₁₆	2.1220	0.7480	0.8425	1/2	SNA 208-24	SP 208	5.6											
208			49.2	184	136	51	22	14	20	100	53.9	19.0	21.4		SNA 208													
SNASP 209-28	1 ³ / ₄	40	2 ¹ / ₈	7 ¹ / ₂	5 ³ / ₄	2 ¹ / ₁₆	1 ³ / ₁₆	19/32	2 ⁵ / ₃₂	4 ⁷ / ₃₂	2.1220	0.7480	0.8425	1/2	SNA 209-28	SP 209	6.1											
209	54.0		190	146	52	21	15	20	107	53.9	19.0	21.4	SNA 209															
SNASP 210-31	1 ¹⁵ / ₁₆	50	2 ¹ / ₄	8	6 ¹ / ₄	2 ⁵ / ₁₆	1 ⁵ / ₁₆	2 ³ / ₃₂	7/8	4 ¹ / ₂	2.2480	0.7480	0.9685	5/8	SNA 210-31	SP 210	7.4											
210-32			2S	57.2	203	159	59	24	18	22	114	57.1	19.0		24.6			SNA 210-32										

SUCSF & SNASF 4-BOLT FLANGE UNITS

ALL STAINLESS STEEL



Seal Options



B-type



L3-type*

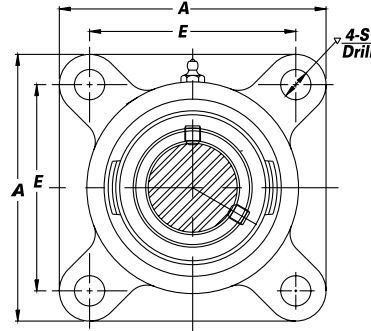
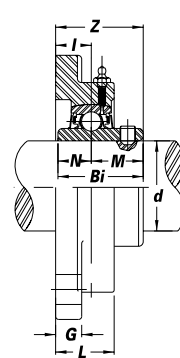


IP69K-type*

*Call for speed tolerances and available sizes

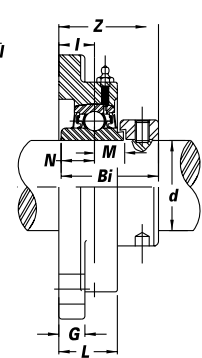
SUCSF

- » Set screw locking
- » Available in Stand-Off Series



SNASF

- » Eccentric locking collar
- » Available in Stand-Off Series



Unit No.	Shaft Dia.		Dimensions (in. (mm))										Bolt Used (in.)	Bearing No.	Housing No.	Weight (lbs.)
	d (in.)	d (mm)	A	E	I	G	L	S	Z	Bi	N	M				
SUCSF 201-8 202-10	1/2 5/8	37.5 86	2 1/2 64	19/32 15	7/16 11	1 25.4	7/16 11	1 5/16 33.3	1.2205 31.0	0.5000 12.7	0.7205 18.3	3/8	SUC 201-8 202-10	SF 204	1.8	
SUCSF 204-12 204	3/4	20 86	2 1/2 64	19/32 15	7/16 11	1 25.4	7/16 11	1 5/16 33.3	1.2205 31.0	0.5000 12.7	0.7205 18.3	3/8	SUC 204-12 204	SF 204	1.6	
SUCSF 205-14 205 205-16	7/8 1	25 95	2 3/4 70	5/8 16	1/2 13	1 1/16 27	29/64 11.5	1 13/32 35.7	1.3386 34.0	0.5630 14.3	0.7756 19.7	3/8	SUC 205-14 205 205-16	SF 205	2.1	
SUCSF 206-18 206 206-19 206-20	1 1/8 1 3/16 1 1/4	30 108	3 1/4 83	45/64 18	1/2 13	1 7/32 31	33/64 13	1 19/32 40.2	1.5000 38.1	0.6260 15.9	0.8740 22.2	7/16	SUC 206-18 206 206-19 206-20	SF 206	2.9	
SUCSF 207-20 207-21 207-22 207 207-23	1 1/4 1 5/16 1 3/8 1 7/16	35 117	3 5/8 92	3/4 19	19/32 15	1 11/32 34	33/64 13	1 3/4 44.4	1.6890 42.9	0.6890 17.5	1.0000 25.4	7/16	SUC 207-20 207-21 207-22 207 207-23	SF 207	3.8	
SUCSF 208-24 208	1 1/2	40 130	4 102	53/64 21	19/32 15	1 13/32 36	35/64 14	2 1/32 51.2	1.9370 49.2	0.7480 19.0	1.1890 30.2	1/2	SUC 208-24 208	SF 208	4.9	
SUCSF 209-27 209-28 209	1 11/16 1 3/4	45 137	4 1/8 105	55/64 22	5/8 16	1 1/2 38	5/8 16	2 1/16 52.2	1.9370 49.2	0.7480 19.0	1.1890 30.2	9/16	SUC 209-27 209-28 209	SF 209	5.4	
SUCSF 210-31 210 210-32	1 15/16 2S	50 143	4 3/8 111	55/64 22	5/8 16	1 9/16 40	5/8 16	2 5/32 54.6	2.0315 51.6	0.7480 19.0	1.2835 32.6	9/16	SUC 210-31 210 210-32	SF 210	5.9	
SUCSF 211-32 211-35	2 2 3/16	162 130	5 1/8 130	63/64 25	23/32 18	1 11/16 43	43/64 17	2 5/16 58.4	2.1890 55.6	0.8740 22.2	1.3150 33.4	5/8	SUC 211-32 211-35	SF 211	8.1	
SUCSF 212-36 212-39	2 1/4 2 1/16	175 143	5 5/8 143	19/64 29	23/32 18	1 7/8 48	43/64 17	2 23/32 68.7	2.5630 65.1	1.0000 25.4	1.5630 39.7	5/8	SUC 212-36 212-39	SF 212	10.0	

SNASF Eccentric Locking Collar Type

SNASF 204-12 204	3/4	20 86	2 1/2 64	19/32 15	7/16 11	1 25.4	7/16 11	1 5/8 41.5	1.5433 39.2	0.5000 12.7	0.6693 17.0	3/8	SNA 204-12 204	SF 204	1.7
SNASF 205-14 205 205-16	7/8 1	25 95	2 3/4 70	5/8 16	1/2 13	1 1/16 27	29/64 11.5	1 11/16 42.9	1.6220 41.2	0.5630 14.3	0.6850 17.4	3/8	SNA 205-14 205 205-16	SF 205	2.2
SNASF 206-18 206 206-19 206-20	1 1/8 1 3/16 1 1/4	30 108	3 1/4 83	45/64 18	1/2 13	1 7/32 31	33/64 13	1 57/64 48.1	1.8110 46.0	0.6260 15.9	0.7165 18.2	7/16	SNA 206-18 206 206-19 206-20	SF 206	3.0
SNASF 207-20 207-22 207 207-23	1 1/4 1 3/8 1 7/16	35 117	3 5/8 92	3/4 19	19/32 15	1 11/32 34	33/64 13	2 1/64 51.3	1.9606 49.8	0.6890 17.5	0.7402 18.8	7/16	SNA 207-20 207-22 207 207-23	SF 207	4.0
SNASF 208-24 208	1 1/2	40 130	4 102	53/64 21	19/32 15	1 13/32 36	35/64 14	2 13/64 55.9	2.1220 53.9	0.7480 19.0	0.8425 21.4	1/2	SNA 208-24 208	SF 208	5.1
SNASF 209-28	1 3/4	45 137	4 1/8 105	55/64 22	5/8 16	1 1/2 38	5/8 16	2 15/64 56.9	2.1220 53.9	0.7480 19.0	0.8425 21.4	9/16	SNA 209-28	SF 209	5.7
SNASF 210-31 210-32	1 15/16 2S	50 143	4 3/8 111	55/64 22	5/8 16	1 9/16 40	5/8 16	2 23/64 60.1	2.2480 57.1	0.7480 19.0	0.9685 24.6	9/16	SNA 210-31 210-32	SF 210	6.3

SUCSFL & SNASFL 2-BOLT FLANGE UNITS

ALL STAINLESS STEEL



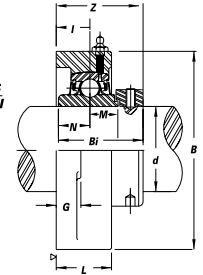
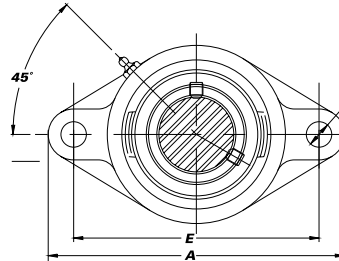
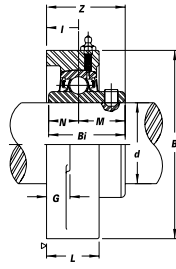
Seal Options



*Call for speed tolerances and available sizes

SUCSFL

- » Set screw locking
- » Available in Stand-Off Series



SNASFL

- » Eccentric locking collar
- » Available in Stand-Off Series

Unit No.	Shaft Dia.		Dimensions (in.)											Bolt Used (in.)	Bearing No.	Housing No.	Weight (lbs.)
	d (in.)	d (mm)	A	E	I	G	L	S	B	Z	Bi	N	M				
SUCSFL 201-8 202-10	1/2 5/8	99	3 3/8 76.2	3	19/32 15	7/16 11	1 1/16 27	25/64 10	23/8 60	1 5/16 33.3	1.2205 31.0	0.5000 12.7	0.7205 18.3	5/16	SUC 201-8 202-10	SFL 203	1.0
SUCSFL 204-8 204-10 204-12 204	1/2 5/8 3/4	20	4 15/32 114	3 17/32 89.7	19/32 15	7/16 11	1 25	25/64 10	23/8 60	1 5/16 33.3	1.2205 31.0	0.5000 12.7	0.7205 18.3	5/16	SUC 201-8 202-10 204-12 204	SFL 204	1.2
SUCSFL 205-14 205 205-16	7/8 1	25	4 7/8 124	3 57/64 98.8	5/8 16	1/2 13	1 1/16 27	15/32 11.9	2 11/16 68	1 19/32 35.7	1.3386 34.0	0.5630 14.3	0.7756 19.7	3/8	SUC 205-14 205 205-16	SFL 205	1.5
SUCSFL 206-18 206 206-19 206-20	1 1/8 1 3/16 1 1/4S	30	5 9/16 141	4 19/32 116.7	45/64 18	1/2 13	1 7/32 31	15/32 11.9	3 5/32 80	1 19/32 40.5	1.5000 38.1	0.6260 15.9	0.8740 22.2	3/8	SUC 206-18 206 206-19 206-20	SFL 206	2.2
SUCSFL 207-20 207-21 207-22 207 207-23	1 1/4 1 5/16 1 3/8 1 7/16	35	6 1/8 155	5 1/8 130.2	3/4 19	9/16 14	1 11/32 34	33/64 13	3 17/32 90	1 3/4 44.5	1.6890 42.9	0.6890 17.5	1.0000 25.4	7/16	SUC 207-20 207-21 207-22 207 207-23	SFL 207	2.9
SUCSFL 208-24 208	1 1/2	40	6 3/4 171	5 21/32 143.7	53/64 21	9/16 14	1 13/32 36	33/64 13	3 15/16 100	2 50.8	1.9370 49.2	0.7480 19.0	1.1890 30.2	7/16	SUC 208-24 208	SFL 208	3.7
SUCSFL 209-27 209-28 209	1 11/16 1 3/4	45	7 1/16 179	5 27/32 148.4	55/64 22	19/32 15	1 1/2 38	19/32 15	4 1/4 108	2 1/16 52.4	1.9370 49.2	0.7480 19.0	1.1890 30.2	1/2	SUC 209-27 209-28 209	SFL 209	4.4
SUCSFL 210-31 210 210-32	1 15/16 2S	50	7 7/16 189	6 9/16 157	55/64 22	19/32 15	1 9/16 40	19/32 15	4 7/32 115	2 5/32 54.8	2.0315 51.6	0.7480 19.0	1.2835 32.6	1/2	SUC 210-31 210 210-32	SFL 210	5.1
SNASFL Eccentric Locking Collar Type																	
SNASFL 204-12 204	3/4	20	4 15/32 114	3 17/32 89.7	19/32 15	7/16 11	1 25	25/64 10	23/8 60	1 5/8 41.5	1.5433 39.2	0.5000 12.7	0.6693 17.0	5/16	SNA 204-12 204	SFL 204	1.3
SNASFL 205-14 205 205-16	7/8 1	25	4 7/8 124	3 57/64 98.8	5/8 16	1/2 13	1 1/16 27	15/32 11.9	2 11/16 68	1 11/16 42.9	1.6220 41.2	0.5630 14.3	0.6850 17.4	3/8	SNA 205-14 205 205-16	SFL 205	1.6
SNASFL 206-18 206 206-19 206-20	1 1/8 1 3/16 1 1/4S	30	5 9/16 141	4 19/32 116.7	45/64 18	1/2 13	1 7/32 31	15/32 11.9	3 5/32 80	1 5/8 48.1	1.8110 46.0	0.6260 15.9	0.7165 18.2	3/8	SNA 206-18 206 206-19 206-20	SFL 206	2.3
SNASFL 207-20 207-22 207 207-23	1 1/4 1 3/8 1 7/16	35	6 1/8 155	5 1/8 130.2	3/4 19	9/16 14	1 11/32 34	33/64 13	3 17/32 90	2 1/8 51.3	1.9606 49.8	0.6890 17.5	0.7402 18.8	7/16	SNA 207-20 207-22 207 207-23	SFL 207	3.1
SNASFL 208-24 208	1 1/2	40	6 3/4 171	5 21/32 143.7	53/64 21	9/16 14	1 13/32 36	33/64 13	3 15/16 100	2 19/64 55.9	2.1220 53.9	0.7480 19.0	0.8425 21.4	7/16	SNA 208-24 208	SFL 208	3.9
SNASFL 209-28	1 3/4	45	7 1/16 179	5 27/32 148.4	55/64 22	19/32 15	1 1/2 38	19/32 15	4 1/4 108	2 15/64 56.9	2.1220 53.9	0.7480 19.0	0.8425 21.4	1/2	SNA 209-28	SFL 209	4.7
SNASFL 210-31 210-32	1 15/16 2S	50	7 7/16 189	6 9/16 157	55/64 22	19/32 15	1 9/16 40	19/32 15	4 7/32 115	2 23/64 60.1	2.2480 57.1	0.7480 19.0	0.9685 24.6	1/2	SNA 210-31 210-32	SFL 210	5.5

SSBSLF & SSBSRFB

ALL STAINLESS STEEL



Seal Options



B-type Seal (front)

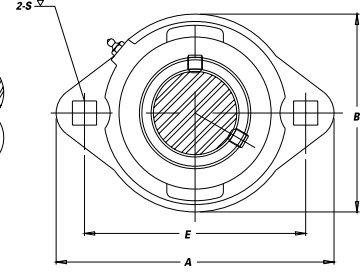
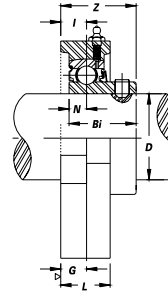


K-type Seal (back)

Call for available sizes for each seal option.

SSBSLF 2-Bolt flange units.

- » Square bolt holes
- » Narrow inner race bearing



Unit No.	Shaft Dia.		Dimensions (in.) (mm)										Bolt Used (in.)	Bearing No.	Housing No.	Weight (lbs.)
	d (in.)	d (mm)	A	E	I	G	L	S	B	Z	Bi	N				
SSBSLF 201-8 202-10	1/2 5/8		3 ⁹ / ₁₆ 81	2 1/2 63.5	3/8 10	3/8 10	2 ³ / ₃₂ 18	5/16 8	2 ⁷ / ₃₂ 56	1 25.4	0.8661 22.0	0.2362 6.0	1/4	SSB 201-8 202-10	SLF 203	0.6
SSBSLF 204-12 204	3/4 20		3 ¹⁷ / ₃₂ 90	2 ¹³ / ₁₆ 71.5	7/16 11	7/16 11	2 ⁵ / ₃₂ 20	2 ⁵ / ₆₄ 10	2 ¹³ / ₃₂ 61	1 ⁵ / ₃₂ 29.0	0.9843 25.0	0.2756 7.0	5/16	SSB 204-12 204	SLF 204	0.7
SSBSLF 205-14 205 205-16	7/8 25 1		3 ³ / ₄ 95	2 ²³ / ₆₄ 76.0	7/16 11	7/16 11	2 ⁵ / ₃₂ 20	2 ⁵ / ₆₄ 10	2 ¹⁷ / ₃₂ 64	1 ³ / ₁₆ 30.5	1.0630 27.0	0.2953 7.5	5/16	SSB 205-14 205 205-16	SLF 205	0.9
SSBSLF 206-18 206 206-19 206-20	1 1/8 30 1 ³ / ₁₆ 1 1/4		4 ⁷ / ₁₆ 113	3 ⁹ / ₁₆ 90.5	1 ⁵ / ₃₂ 12	1 ⁵ / ₃₂ 12	7/8 23	1 ⁵ / ₃₂ 12	3 76	1 ¹⁹ / ₆₄ 33.0	1.1417 29.0	0.3150 8.0	3/8	SSB 206-18 206 206-19 206-20	SLF 206	1.2
SSBSLF 207-20 207-22 207 207-23	1 1/4 1 3/8 35 1 7/16		4 ¹³ / ₁₆ 122	3 ¹⁵ / ₁₆ 100.0	3 ³ / ₆₄ 13	3 ³ / ₆₄ 13	1 ⁵ / ₁₆ 24	1 ⁵ / ₃₂ 12	3 1/2 89	1 ²⁵ / ₆₄ 35.5	1.2598 32.0	0.3346 8.5	3/8	SSB 207-20 207-22 207 207-23	SLF 207	1.7



Seal Options



B-type Seal (front)

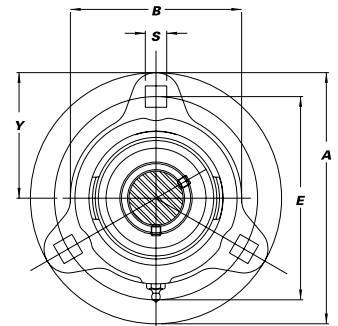
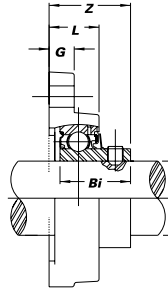


K-type Seal (back)

Call for available sizes for each seal option.

SSBSRFB 3-Bolt flange units.

- » Square bolt holes
- » Narrow inner race bearing



Unit No.	Shaft Dia.		Dimensions (in.) (mm)										Bolt Used (in.)	Bearing No.	Housing No.	Weight (lbs.)
	d (in.)	d (mm)	A	E	G	B	L	S	Z	Bi	Y					
SSBSRFB 204-12 204	3/4 20		3 ⁹ / ₁₆ 90	2 ¹³ / ₁₆ 71.4	7/16 11	2 ⁵ / ₈ 67	2 ⁵ / ₃₂ 20	1 ¹ / ₃₂ 9	1 ⁵ / ₃₂ 29.4	0.9843 25.0	1 ²⁵ / ₃₂ 45	5/16	SSB 204-12 204	SRFB 204	.8	
SSBSRFB 205-14 205 205-16	7/8 25 1		3 ³ / ₄ 95	3 76.2	7/16 11	2 ¹ / ₈ 73	2 ⁵ / ₃₂ 20	1 ¹ / ₃₂ 9	1 ⁷ / ₃₂ 31.0	1.0630 27.0	1 ⁷ / ₈ 48	5/16	SSB 205-14 205 205-16	SRFB 205	.9	
SSBSRFB 206-18 206 206-19 206-20	1 1/8 30 1 ³ / ₁₆ 1 1/4		4 ⁷ / ₁₆ 113	3 ⁹ / ₁₆ 90.5	1 ⁵ / ₃₂ 12	3 76	5 ⁷ / ₆₄ 23	1 ³ / ₃₂ 10	1 ⁹ / ₃₂ 32.3	1.1417 29.0	2 ⁷ / ₃₂ 56	3/8	SSB 206-18 206 206-19 206-20	SRFB 206	1.2	
SSBSRFB 207-20 207-22 207 207-23	1 1/4 1 3/8 35 1 7/16		4 ¹³ / ₁₆ 122	3 ¹⁵ / ₁₆ 100	1/2 13	3 1/2 89	1 ⁵ / ₁₆ 24	1 ³ / ₃₂ 10	1 ²⁵ / ₆₄ 35.5	1.2598 32.0	2 ¹³ / ₃₂ 61	3/8	SSB 207-20 207-22 207 207-23	SRFB 207	1.7	

SUCSFCS & SUCSFB

ALL STAINLESS STEEL



SUCSFCS Piloted flange units.

Seal Options



B-type

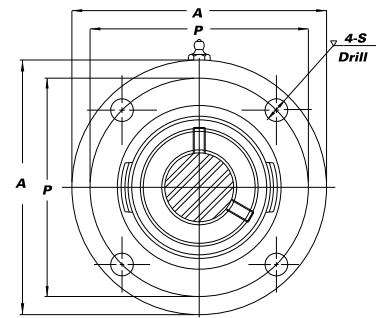
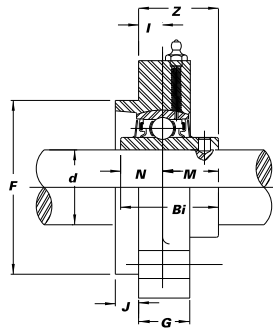


IP69K-type*



L3-type*

*Call for speed tolerances and available sizes



Unit No.	Shaft Dia.		Dimensions (in.) (mm)											Bolt Used (in.)	Bearing No.	Housing No.	Weight (lbs.)	
	d (in.)	d (mm)	A	P	S	J	G	F	I	Z	Bi	N	M					
SUCSFCS 206-18 206	1 1/8	30	4 3/8	3 5/8	3 3/8	15/64	49/64	3.000	25/64	19/32	1.5000	0.6260	0.8740	5/16	SUC 206-18		2.7	
206-19	1 3/16	111	111	92	9.5	6.0	19.5	76.2	10	32.2	38.1	15.9	22.2		SUC 206-19	SFCS 206		
206-20	1 1/4 S														SUC 206-20			
SUCSFCS 207-20 207-21 207-22 207	1 1/4 1 5/16 1 3/8	35	5	4 1/8	15/32	3/8	45/64	3.375	5/16	1 5/16	1.6890	0.6890	1.0000	3/8	SUC 207-20 207-21 207-22 207	SFCS 207	3.5	
207-23	1 7/16														SUC 207-23			
SUCSFCS 208-24 208	1 1/2	40	5 1/4	4 3/8	15/32	7/16	49/64	3.625	23/64	1 17/32	1.9370	0.7480	1.1890	3/8	SUC 208-24 208	SFCS 208		4.4
SUCSFCS 209-27 209-28 209	1 11/16 1 3/4	45	5 1/4	4 3/8	15/32	7/16	25/32	3.625	23/64	1 17/32	1.9370	0.7480	1.1890	3/8	SUC 209-27 209-28 209	SFCS 209		
SUCSFCS 210-31 210 210-32	1 15/16 2S	50	6 3/32	5 1/8	35/64	15/32	25/32	4.250	5/16	1 19/32	2.0315	0.7480	1.2835	7/16	SUC 210-31 210 210-32	SFCS 210	6.0	



SUCSFB 3-Bolt flange bracket units.

» Available in Stand-Off Series

Seal Options



B-type

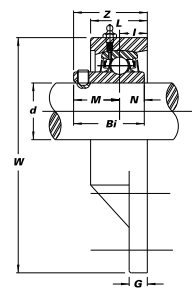
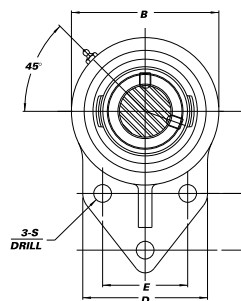


L3-type*



IP69K-type*

*Call for speed tolerances and available sizes



Unit No.	Shaft Dia.		Dimensions (in.) (mm)													Bolt Used (in.)	Bearing No.	Housing No.	Weight (lbs.)	
	d (in.)	d (mm)	W	B	D	L	S	G	H	J	E	I	Z	Bi	N					M
SUCSFB 201-8 202-10	1/2 5/8	108	4 1/4	2 1/2	2 3/8	1	25/64	5/16	1 11/16	7/8	1 1/2	5/8	1 23/64	1.2205	0.5000	0.7205	5/16	SUC 201-8 202-10	SFB 204	1.4
SUCSFB 204-12 204	3/4	20	108	64	60	25	9.9	8	43.3	22.2	38.1	16	34.3	31.0	12.7	18.3		SUC 204-12 204	SFB 204	
SUCSFB 205-14 205 205-16	7/8 1	25	121	70	64	29	9.9	9.5	46.0	28.6	41.3	17	41.0	1.3386	0.5630	0.7756	5/16	SUC 205-14 205 205-16	SFB 205	1.9
SUCSFB 206-18 206 206-19 206-20	1 1/8 1 3/16 1 1/4 S	30	137	83	70	32	9.9	9.5	52.4	31.8	47.6	18	40.2	1.5000	0.6260	0.8740	5/16	SUC 206-18 206 206-19 206-20	SFB 206	
SUCSFB 207-20 207-21 207-22 207 207-23	1 1/4 1 5/16 1 3/8 1 7/16	35	156	95	83	37	13.1	13	60.3	31.8	50.8	21	46.4	1.6890	0.6890	1.0000	7/16	SUC 207-20 207-21 207-22 207 207-23	SFB 207	3.8
SUCSFB 210-31 210 210-32	1 15/16 2S	50	191	118	102	38	13.1	13	74.6	41.3	69.9	21	54.6	2.0315	0.7480	1.2835	7/16	SUC 210-31 210 210-32	SFB 210	

SUCSPA & SUCSHA

ALL STAINLESS STEEL



SUCSPA Tapped base units.

- » Set screw locking, also available with locking collar
- » Available in Stand-Off Series

Seal Options

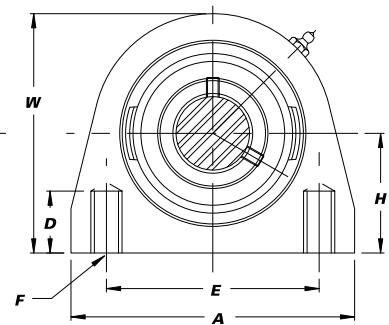
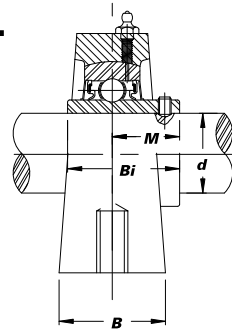


B-type

L3-type*

IP69K-type*

*Call for speed tolerances and available sizes



Unit No.	Shaft Dia.		Dimensions (in.) (mm)									Bearing No.	Housing No.	Weight (lbs.)
	d (in.)	d (mm)	H	A	E	B	W	F-Tapped Holes	D-Min Tap Depth	M	Bi			
SUCSPA 201-8 202-10	1/2 5/8	12.7 15.875	15/16 33.3	27/8 73	2 50.8	1 1/2 38	2 9/16 65	3/8"-16 UNC	1/2 13	0.7205 18.3	1.2205 31.0	SUC 201-8 202-10	SPA 204	1.5
SUCSPA 204-12 204	3/4	19.05	15/16 33.3	27/8 73	2 50.8	1 1/2 38	2 9/16 65	3/8"-16 UNC	1/2 13	0.7205 18.3	1.2205 31.0	SUC 204-12 204	SPA 204	1.4
SUCSPA 205-14 205 205-16	7/8 1	22.225 25.4	17/16 36.5	3 76	2 50.8	1 1/2 38	2 13/16 71	3/8"-16 UNC	1/2 13	0.7756 19.7	1.3386 34.0	SUC 205-14 205 205-16	SPA 205	1.8
SUCSPA 206-18 206 206-19 206-20	1 1/8 1 1/8 1 3/16 1 1/4 S	30.175 30.175 30.175 31.75	1 11/16 42.9	4 102	3 76.2	1 1/2 38	3 3/8 86	7/16"-14 UNC	5/8 16	0.8740 22.2	1.5000 38.1	SUC 206-18 206 206-19 206-20	SPA 206	2.9
SUCSPA 207-20 207-21 207-22 207 207-23	1 1/4 1 5/16 1 3/8 1 3/8 1 7/16	35.425 35.425 35.425 35.425 36.8125	1 7/8 47.6	4 1/4 108	3 1/4 82.6	1 7/8 48	3 3/4 95	1/2"-13 UNC	3/4 19	1.0000 25.4	1.6890 42.9	SUC 207-20 207-21 207-22 207 207-23	SPA 207	3.8
SUCSPA 208-24 208	1 1/2	40.0	1 15/16 49.2	4 5/8 117	3 1/2 88.9	1 7/8 48	3 15/16 100	1/2"-13 UNC	3/4 19	1.1890 30.2	1.9370 49.2	SUC 208-24 208	SPA 208	4.2
SUCSPA 209-27 209-28 209	1 11/16 1 3/4 1 3/4	45.125 45.125 45.125	2 1/8 54.0	5 127	3 3/4 95.3	2 51	4 1/4 108	1/2"-13 UNC	3/4 19	1.1890 30.2	1.9370 49.2	SUC 209-27 209-28 209	SPA 209	5.3
SUCSPA 210-31 210 210-32	1 15/16 2S	50.0 50.0	2 1/4 57.2	5 1/2 140	4 101.6	2 51	4 5/8 117	5/8"-11 UNC	7/8 22	1.2835 32.6	2.0315 51.6	SUC 210-31 210 210-32	SPA 210	6.2

SUCSHA Hanger units.



Seal Options

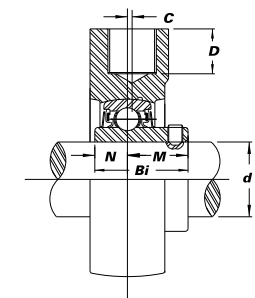
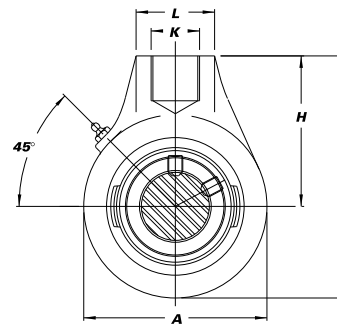


B-type

L3-type*

IP69K-type*

*Call for speed tolerances and available sizes



Unit No.	Shaft Dia.		Dimensions (in.) (mm)										Bearing No.	Housing No.	Weight (lbs.)
	d (in.)	d (mm)	A	W	C	H	L	D	K	Bi	N	M			
SUCSHA 205-14 205 205-16	7/8 1	22.225 25.4	2 3/4 70	3 29/32 99	0 0	2 33/64 64	1 9/16 40	3/4 19.1	PF 3/4 -14	1.3386 34.0	0.5630 14.3	0.7756 19.7	SUC 205-14 205 205-16	SHA 205	1.6
SUCSHA 206-18 206 206-19 206-20	1 1/8 1 1/8 1 3/16 1 1/4 S	30.175 30.175 30.175 31.75	3 5/32 80	4 3/32 104	0 0	2 33/64 64	1 9/16 40	3/4 19.1	PF 3/4 -14	1.5000 38.1	0.6260 15.9	0.8740 22.2	SUC 206-18 206 206-19 206-20	SHA 206	1.9
SUCSHA 207-20 207-21 207-22 207 207-23	1 1/4 1 5/16 1 3/8 1 3/8 1 7/16	35.425 35.425 35.425 35.425 36.8125	3 5/8 92	4 9/16 116	0 0	2 3/4 70	1 9/16 40	3/4 19.1	PF 3/4 -14	1.6890 42.9	0.6890 17.5	1.0000 25.4	SUC 207-20 207-21 207-22 207 207-23	SHA 207	2.6

SUCSTRS & SUCST TAKE UP UNITS

ALL STAINLESS STEEL



SUCSTRS Narrow slot.

Seal Options



B-type

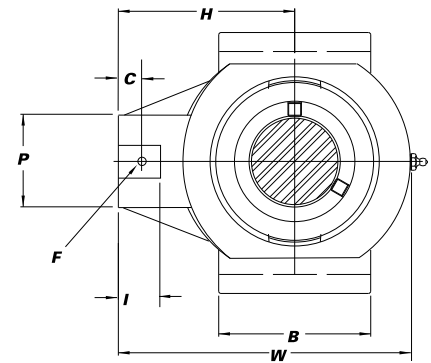
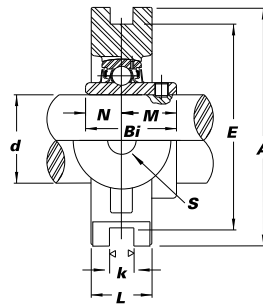


IP69K-type*



L3-type*

*Call for speed tolerances and available sizes



Bearing No.	Shaft Dia.		Dimensions (in. (mm))															Bearing No.	Housing No.	Weight (lbs.)
	d		F	C	P	I	S	B	k	E	A	W	L	H	Bi	N	M			
SUCSTRS 205-14 205 205-16	7/8 1	25	5/16 7.9	7/16 11.1	13/8 35	7/8 22	25/32 20	127/32 47	1/4 6.4	25/8 66.7	3/8 79	329/32 99	13/32 28	217/32 64	1.3386 34.0	0.5630 14.3	0.7756 19.7	SUC 205-14 205 205-16	STRS 205	2.0
SUCSTRS 206-18 206 206-19 206-20	1 1/8 1 3/16 1 1/4 S	30	5/16 7.9	1/2 12.7	19/16 40	1 25	25/32 20	2 1/2 64	1/4 6.4	3 1/2 88.9	4 102	4 15/16 125	1 3/8 35	3 76	1.5000 38.1	0.6260 15.9	0.8740 22.2	SUC 206-18 206 206-19 206-20	STRS 206	3.8
SUCSTRS 207-20 207-21 207-22 207 207-23	1 1/4 1 5/16 1 3/8 1 7/16	35	5/16 7.9	1/2 12.7	19/16 40	1 25	25/32 20	2 1/2 64	1/4 6.4	3 1/2 88.9	4 102	4 15/16 125	1 3/8 35	3 76	1.6890 42.9	0.6890 17.5	1.0000 25.4	SUC 207-20 207-21 207-22 207 207-23	STRS 207	4.0



SUCST Wide slot.

» Set screw locking
Also available with locking collar

Seal Options



B-type

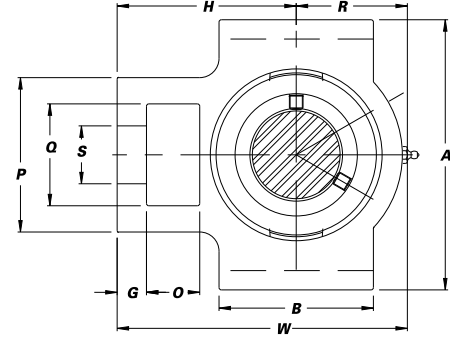
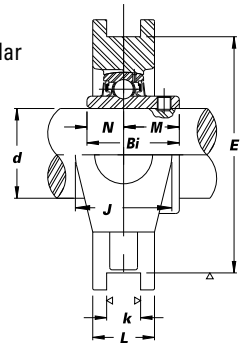


IP69K-type*



L3-type*

*Call for speed tolerances and available sizes



Bearing No.	Shaft Dia.		Dimensions (in. (mm))															Bearing No.	Housing No.	Weight (lbs.)		
	d		O	G	P	Q	S	B	k	E	A	W	J	L	R	H	Bi				N	M
SUCST 205-14 205 205-16	7/8 1	25	5/8 16	13/32 10	2 51	1 1/4 32	3/4 19	2 51	17/32 13.5	3 76.2	3 1/2 89	3 15/16 97	1 1/4 32	15/16 24	1 3/8 35	2 1/16 62	1.3386 34.0	0.5630 14.3	0.7756 19.7	SUC 205-14 205 205-16	ST 205	1.9
SUCST 206-18 206 206-19 206-20	1 1/8 1 3/16 1 1/4 S	30	5/8 16	13/32 10	2 1/32 56	1 15/32 37	55/64 22	2 1/4 57	17/32 13.5	3 1/2 88.9	4 1/32 102	4 7/16 113	1 15/32 37	1 3/32 28	1 11/16 43	2 3/4 70	1.5000 38.1	0.6260 15.9	0.8740 22.2	SUC 206-18 206 206-19 206-20	ST 206	2.9
SUCST 207-20 207-21 207-22 207 207-23	1 1/4 1 5/16 1 3/8 1 7/16	35	5/8 16	1/2 13	2 11/32 64	1 15/32 37	55/64 22	2 1/4 64	17/32 13.5	3 1/2 88.9	4 1/32 102	5 21/32 129	1 15/32 37	1 3/16 30	2 51	3 1/16 78	1.6890 42.9	0.6890 17.5	1.0000 25.4	SUC 207-20 207-21 207-22 207 207-23	ST 207	3.7
SUCST 208-24 208	1 1/2	40	3/4 19	5/8 16	3 3/32 83	1 5/16 49	1 9/64 29	3 3/32 83	1 1/16 17.5	4 101.6	4 1/2 114	5 21/32 144	1 15/16 49	1 5/16 33	2 1/32 56	3 15/32 88	1.9370 49.2	0.7480 19.0	1.1890 30.2	SUC 208-24 208	ST 208	5.5
SUCST 209-27 209-28 209	1 11/16 1 3/4	45	3/4 19	5/8 16	3 3/32 83	1 5/16 49	1 9/64 29	3 3/32 83	1 1/16 17.5	4 101.6	4 1/32 117	5 21/32 144	1 15/16 49	1 3/8 35	2 1/4 57	3 1/16 87	1.9370 49.2	0.7480 19.0	1.1890 30.2	SUC 209-27 209-28 209	ST 209	5.5
SUCST 210-31 210 210-32	1 15/16 2 S	50	3/4 19	5/8 16	3 3/32 83	1 5/16 49	1 9/64 29	3 3/8 86	1 1/16 17.5	4 101.6	4 1/32 117	5 7/8 149	1 15/16 49	1 15/32 37	2 5/16 59	3 17/32 90	2.0315 51.6	0.7480 19.0	1.2835 32.6	SUC 210-31 210 210-32	ST 210	5.7

STAND-OFF SERIES MOUNTED BEARING UNITS

ALL STAINLESS STEEL



SUCSPA Tapped base units.

- » Stand-Off Series
- » Set screw locking, also available with locking collar

Seal Options

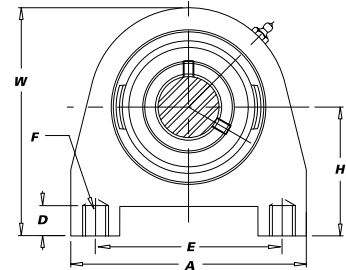
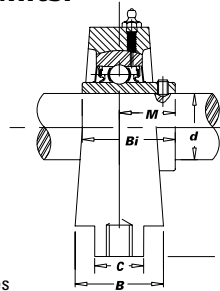


B-type

L3-type*

IP69K-type*

*Call for speed tolerances and available sizes



Unit No.	Shaft Dia.		Dimensions (in.) (mm)										Bearing No.	Housing No.	Weight (lbs.)
	d	(in.) (mm)	H	A	E	B	C	W	F-Tapped Holes	D-Min Tap Depth	M	Bi			
SUCSOPA 201-8	1/2	1 13/16	27/8	2	1 1/2	1	3 1/16	3/8"-16	1/2	0.7205	1.2205	SUC 201-8	SOPA 204	1.8	
202-10	5/8	46.0	73	50.8	38	25	78	UNC	13	18.3	31.0	SUC 202-10	SOPA 204	1.7	
SUCSOPA 204-12	3/4	1 13/16	2 7/8	2	1 1/2	1	3 1/16	3/8"-16	1/2	0.7205	1.2205	SUC 204-12	SOPA 204	1.7	
204	20	46.0	73	50.8	38	25	78	UNC	13	18.3	31.0	SUC 204	SOPA 204	1.7	
SUCSOPA 205-14	7/8	1 19/16	3	2	1 1/2	1	3 5/16	3/8"-16	1/2	0.7756	1.3386	SUC 205-14	SOPA 205	2.0	
205	25	49.2	76	50.8	38	25	84	UNC	13	19.7	34.0	SUC 205	SOPA 205	2.0	
SUCSOPA 205-16	1											SUC 205-16	SOPA 205	2.0	
SUCSOPA 206-18	1 1/8	30	2 3/16	4	3	1 1/2	1	3 7/8	7/16"-14	5/8	0.8740	1.5000	SUC 206-18	SOPA 206	3.0
206		55.6	102	76.2	38	25	98	UNC	16	22.2	38.1	SUC 206	SOPA 206	3.0	
SUCSOPA 206-19	1 3/16											SUC 206-19	SOPA 206	3.0	
206-20	1 1/4											SUC 206-20	SOPA 206	3.0	
SUCSOPA 207-20	1 1/4											SUC 207-20	SOPA 207	4.1	
207-21	1 5/16	2 3/8	4 1/4	3 1/4	1 7/8	1 13/64	4 1/4	1/2"-13	3/4	1.0000	1.6890	SUC 207-21	SOPA 207	4.1	
207-22	1 3/8	60.3	108	82.6	48	31	108	UNC	19	25.4	42.9	SUC 207-22	SOPA 207	4.1	
207	35											SUC 207	SOPA 207	4.1	
SUCSOPA 207-23	1 7/16											SUC 207-23	SOPA 207	4.1	
SUCSOPA 208-24	1 1/2	2 7/16	4 5/8	3 1/2	1 7/8	1 13/64	4 7/16	1/2"-13	3/4	1.1890	1.9370	SUC 208-24	SOPA 208	4.7	
208	40	61.9	117	88.9	48	31	113	UNC	19	30.2	49.2	SUC 208	SOPA 208	4.7	



SUCSOF 4-Bolt flange units.

- » Stand-Off Series
- » Set screw locking, also available with locking collar

Seal Options

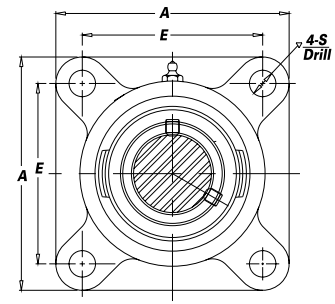
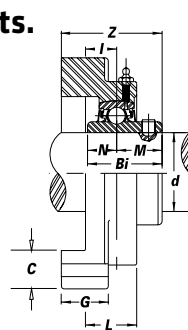


B-type

L3-type*

IP69K-type*

*Call for speed tolerances and available sizes



Unit No.	Shaft Dia.		Dimensions (in.) (mm)										Bolt Used (in.)	Bearing No.	Housing No.	Weight (lbs.)	
	d	(in.) (mm)	A	E	C	I	G	L	S	Z	Bi	N					M
SUCSOF 201-8	1/2	3 3/8	2 1/2	7/8	19/32	15/16	1	7/16	1 13/16	1.2205	0.5000	0.7205	3/8	SUC 201-8	SOF 204	1.9	
202-10	5/8	86	64	22	15	24	25.4	11	46.0	31.0	12.7	18.3	SUC 202-10	SOF 204	1.9		
SUCSOF 204-12	3/4	3 3/8	2 1/2	7/8	19/32	15/16	1	7/16	1 13/16	1.2205	0.5000	0.7205	3/8	SUC 204-12	SOF 204	1.9	
204	20	86	64	22	15	24	25.4	11	46.0	31.0	12.7	18.3	SUC 204	SOF 204	1.9		
SUCSOF 205-14	7/8	3 3/4	2 3/4	63/64	5/8	1	1 1/16	29/64	1 29/32	1.3386	0.5630	0.7756	3/8	SUC 205-14	SOF 205	2.5	
205	25	95	70	24	16	25	27	11.5	48.4	34.0	14.3	19.7	SUC 205	SOF 205	2.5		
SUCSOF 205-16	1												SUC 205-16	SOF 205	2.5		
SUCSOF 206-18	1 1/8	30	4 1/4	3 1/4	1	45/64	1	1 7/32	33/64	2 3/32	1.5000	0.6260	0.8740	7/16	SUC 206-18	SOF 206	3.4
206		108	83	25	18	25	31	13	53.2	38.1	15.9	22.2	SUC 206	SOF 206	3.4		
SUCSOF 206-19	1 3/16												SUC 206-19	SOF 206	3.4		
206-20	1 1/4												SUC 206-20	SOF 206	3.4		
SUCSOF 207-20	1 1/4												7/16	SUC 207-20	SOF 207	4.2	
207-21	1 5/16	4	3 5/8	1	3/4	1 3/32	1 11/32	33/64	2 1/4	1.6890	0.6890	1.0000	SUC 207-21	SOF 207	4.2		
207-22	1 3/8	117	92	25	19	28	34	13	57.2	42.9	17.5	25.4	SUC 207-22	SOF 207	4.2		
207	35												SUC 207	SOF 207	4.2		
SUCSOF 207-23	1 7/16												SUC 207-23	SOF 207	4.2		
SUCSOF 208-24	1 1/2	5 1/8	4	1 7/64	53/64	1 3/32	1 13/32	35/64	2 17/32	1.9370	0.7480	1.1890	1/2	SUC 208-24	SOF 208	5.3	
208	40	130	102	28	21	28	36	14	64.3	49.2	19	30.2	SUC 208	SOF 208	5.3		

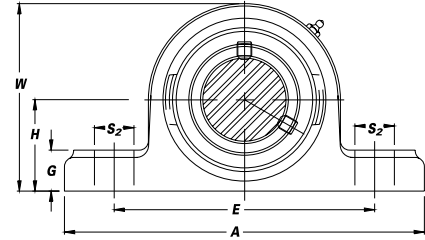
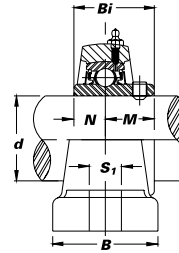
MEDIUM DUTY BEARING UNITS

ALL STAINLESS STEEL

SUCSPX Pillow block units.

» Set screw locking

Seal Options

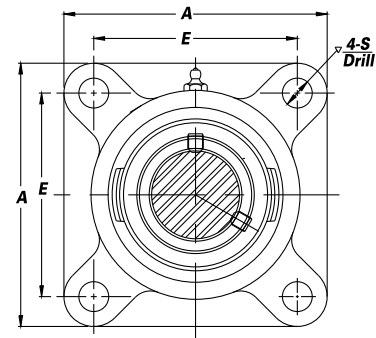
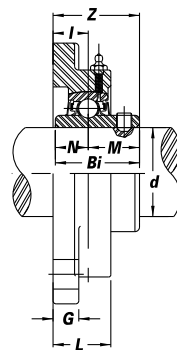


Unit No.	Shaft Dia.		Dimensions (in.) (mm)									Bolt Used (in.)	Weight (lbs.)
	<i>d</i> (in.) (mm)	<i>H</i>	<i>A</i>	<i>E</i>	<i>B</i>	<i>S₂</i>	<i>S₁</i>	<i>G</i>	<i>W</i>	<i>Bi</i>	<i>M</i>		
SUCSPX05-16	1"	1 11/16"	6 13/32"	4 3/4"	1 27/32"	13/16"	9/16"	11/16"	3 19/64"	1.5000	0.8740	1/2"	3.5
SUCSPX06-19	1 3/16"	1 7/8"	6 17/32"	5"	1 29/32"	7/8"	9/16"	3/4"	3 11/16"	1.6890	1.0000	1/2"	4.3
SUCSPX07-23	1 7/16"	2 1/8"	7 1/4"	5 1/2"	1 15/16"	7/8"	9/16"	25/32"	4 3/16"	1.9370	1.1890	1/2"	5.5
SUCSPX08-24	1 1/2"	2 1/8"	7 1/2"	5 3/4"	2 1/16"	13/16"	19/32"	25/32"	4 7/32"	1.9370	1.1890	1/2"	6.1
SUCSPX09-28	1 3/4"	2 1/4"	8"	6 1/4"	2 5/16"	15/16"	23/32"	7/8"	4 1/2"	2.0315	1.2835	5/8"	7.5
SUCSPX10-31	1 15/16"	2 1/2"	8 17/32"	6 7/8"	2 3/8"	15/16"	23/32"	7/8"	4 15/16"	2.1890	1.3150	5/8"	8.8

SUCSFX 4-Bolt flange units.

» Set screw locking

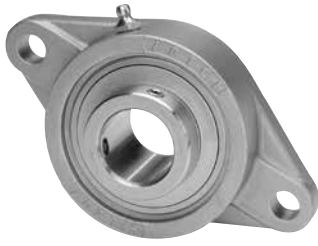
Seal Options



Unit No.	Shaft Dia.		Dimensions (in.) (mm)									Bolt Used (in.)	Weight (lbs.)
	<i>d</i> (in.) (mm)	<i>A</i>	<i>E</i>	<i>I</i>	<i>G</i>	<i>L</i>	<i>S</i>	<i>Z</i>	<i>Bi</i>	<i>M</i>			
SUCSFX05-16	1"	4 1/4"	3 1/4"	45/64"	1/2"	1 7/32"	33/64"	1 19/32"	1.5000	0.8740	7/16"	3.0	
SUCSFX06-19	1 3/16"	4 19/32"	3 5/8"	3/4"	19/32"	1 11/32"	33/64"	1 3/4"	1.6890	1.0000	7/16"	4.0	
SUCSFX07-23	1 7/16"	5 1/8"	4"	53/64"	19/32"	1 13/32"	35/64"	2 1/32"	1.9370	1.1890	1/2"	5.0	
SUCSFX08-24	1 1/2"	5 13/32"	4 1/8"	55/64"	5/8"	1 1/2"	5/8"	2 1/16"	1.9370	1.1890	9/16"	5.7	
SUCSFX09-28	1 3/4"	5 5/8"	4 3/8"	55/64"	5/8"	1 9/16"	5/8"	2 5/32"	2.0315	1.2835	9/16"	6.3	
SUCSFX10-31	1 15/16"	6 3/8"	5 1/8"	63/64"	23/32"	1 11/16"	43/64"	2 5/16"	2.1890	1.3150	5/8"	9.3	

MEDIUM DUTY BEARING UNITS

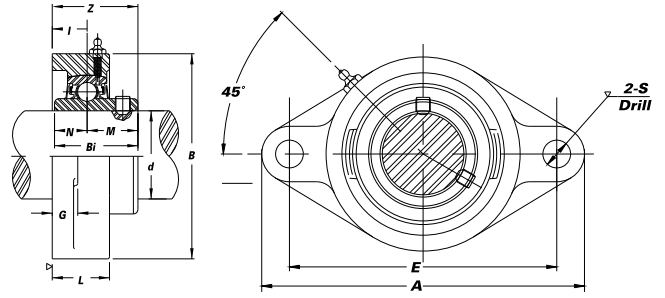
ALL STAINLESS STEEL



SUCSFLX 2-Bolt flange units.

» Set screw locking

Seal Options



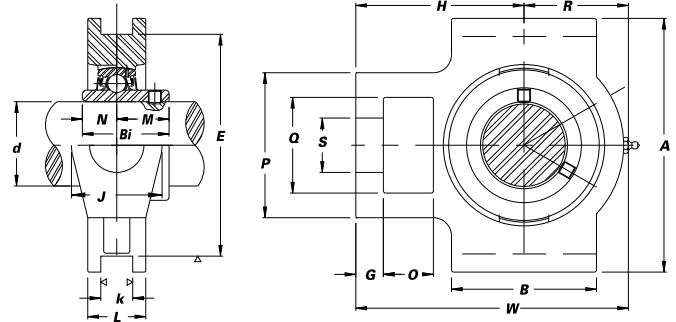
Unit No.	Shaft Dia.		Dimensions (in.) (mm)										Bolt Used (in.)	Weight (lbs.)
	d (in.) (mm)		A	E	I	G	L	S	B	Z	Bi	M		
SUCSFLX05-16	1"		5 9/16"	4 19/32"	45/64"	1/2"	1 7/32"	15/32"	3 5/32"	1 19/32"	1.5000	0.8740	3/8"	2.2
SUCSFLX06-19	1 3/16"		6 1/8"	5 1/8"	3/4"	9/16"	1 11/32"	33/64"	3 17/32"	1 3/4"	1.6890	1.0000	7/16"	3.0
SUCSFLX07-23	1 7/16"		6 3/4"	5 21/32"	53/64"	9/16"	1 13/32"	33/64"	3 15/16"	2"	1.9370	1.1890	7/16"	3.8
SUCSFLX08-24	1 1/2"		7 1/16"	5 27/32"	55/64"	19/32"	1 1/2"	19/32"	4 1/4"	2 1/16"	1.9370	1.1890	1/2"	4.6
SUCSFLX09-28	1 3/4"		7 7/16"	6 3/16"	55/64"	19/32"	1 9/16"	19/32"	4 17/32"	2 5/32"	2.0315	1.2835	1/2"	5.4



SUCSTX Take Up wide slot units.

» Set screw locking

Seal Options



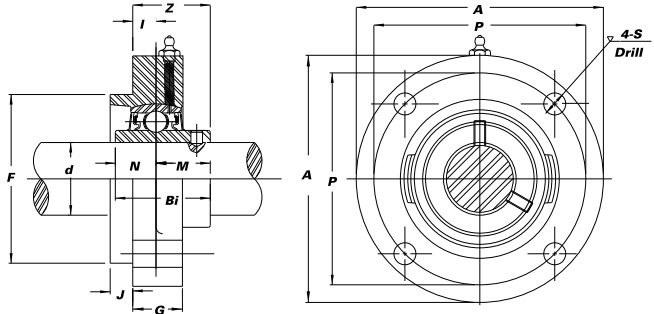
Bearing No.	Shaft Dia.		Dimensions (in.) (mm)													Weight (lbs.)		
	d (in.) (mm)		O	G	P	Q	S	B	k	E	A	W	J	L	H		Bi	M
SUCSTX05-16	1"		5/8"	13/32"	2 7/32"	1 15/32"	55/64"	2 1/4"	17/32"	3 1/2"	4 1/32"	4 7/16"	1 15/32"	1 3/32"	2 3/4"	1.5000	0.8740	2.9
SUCSTX06-19	1 3/16"		5/8"	1/2"	2 17/32"	1 15/32"	55/64"	2 17/32"	17/32"	3 1/2"	4 1/32"	5 3/32"	1 15/32"	1 3/16"	3 1/16"	1.6890	1.0000	3.7
SUCSTX07-23	1 7/16"		3/4"	5/8"	3 9/32"	1 15/16"	1 9/64"	3 9/32"	11/16"	4"	4 1/2"	5 21/32"	1 15/16"	1 5/16"	3 15/32"	1.9370	1.1890	5.5
SUCSTX08-24	1 1/2"		3/4"	5/8"	3 9/32"	1 15/16"	1 9/64"	3 9/32"	11/16"	4"	4 19/32"	5 21/32"	1 15/16"	1 3/8"	3 7/16"	1.9370	1.1890	5.5
SUCSTX09-28	1 3/4"		3/4"	5/8"	3 9/32"	1 15/16"	1 9/64"	3 3/8"	11/16"	4"	4 19/32"	5 7/8"	1 15/16"	1 15/32"	3 17/32"	2.0315	1.2835	5.7



SUCSFCX Piloted flange units.

» Set screw locking

Seal Options



Unit No.	Shaft Dia.		Dimensions (in.) (mm)									Bolt Used (in.)	Weight (lbs.)	
	d (in.) (mm)		A	P	S	J	G	F	I	Z	Bi			M
SUCSFCX05-16	1"		4 3/8"	3 5/8"	3/8"	15/64"	49/64"	3.000	25/64"	1 9/32"	1.5000	0.8740	5/16"	2.9
SUCSFCX06-19	1 3/16"		5"	4 1/8"	15/32"	3/8"	45/64"	3.375	5/16"	1 5/16"	1.6890	1.0000	3/8"	3.9
SUCSFCX07-23	1 7/16"		5 1/4"	4 3/8"	15/32"	7/16"	49/64"	3.625	23/64"	1 17/32"	1.9370	1.1890	3/8"	4.8
SUCSFCX08-24	1 1/2"		5 1/4"	4 3/8"	15/32"	7/16"	25/32"	3.625	23/64"	1 17/32"	1.9370	1.1890	3/8"	5.5
SUCSFCX09-28	1 3/4"		6 3/32"	5 1/8"	35/64"	15/32"	25/32"	4.250	5/16"	1 19/32"	2.0315	1.2835	7/16"	6.1

THERMOPLASTIC PILLOW BLOCKS



Seal Options



B-type



L3-type*



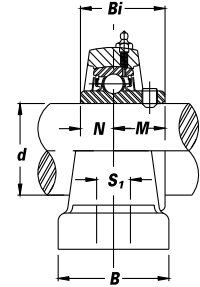
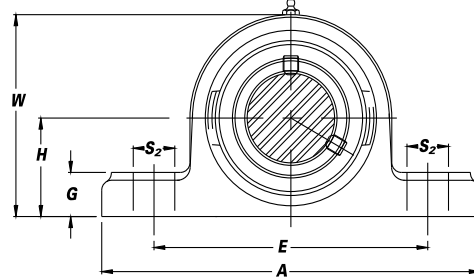
IP69K*

*Call for speed tolerances and available sizes

Set screw lock.

Optional bearing inserts:
Stainless Steel-SUCTP, Hard Chrome Coated-CUCTP
Black Oxide-BUCTP

» End caps available for all styles



Unit No.	Shaft Dia.		Dimensions (in.) (mm)										Bolt Used (in.)	Bearing No.	Housing No.	Weight (lbs.)
	d (in.)	d (mm)	H	A	E	B	S ₂	S ₁	G	W	Bi	N				

SUCTP with Stainless Steel Bearing Inserts

SUCTP 201-8 202-10 204-12 204	1/2 5/8 3/4	20	15/16 33.3	5 127	33/4 95	11/2 38	9/16 14	7/16 11	9/16 14	219/32 66	1.2205 31.0	0.5000 12.7	0.7205 18.3	3/8	SUC 201-8 202-10 204-12 204	TP 204	.8
SUCTP 205-14 205 205-16	7/8 1	25	17/16 36.5	51/2 140	41/8 105	11/2 38	9/16 14	7/16 11	9/16 14	213/16 71	1.3386 34.0	0.5630 14.3	0.7756 19.7	3/8	SUC 205-14 205 205-16	TP 205	.8
SUCTP 206-18 206 206-19 206-20	11/8 13/16 11/4S	30	111/16 42.9	613/32 163	411/16 119	113/16 46	23/32 18	9/16 14	11/16 18	319/64 84	1.5000 38.1	0.6260 15.9	0.8740 22.2	1/2	SUC 206-18 206 206-19 206-20	TP 206	1.2
SUCTP 207-20 207-21 207-22 207 207-23	11/4 15/16 13/8 17/16	35	17/8 47.6	65/8 168	5 127	129/32 48	23/32 18	9/16 14	11/16 18	311/16 94	1.6890 42.9	0.6890 17.5	1.0000 25.4	1/2	SUC 207-20 207-21 207-22 207 207-23	TP 207	1.7
SUCTP 208-24 208	11/2	40	115/16 49.2	71/4 184	57/16 137	21/8 54	23/32 18	9/16 14	25/32 20	329/32 99	1.9370 49.2	0.7480 19.0	1.1890 30.2	1/2	SUC 208-24 208	TP 208	2.2

CUCTP with Hard Chrome Coated Bearing Inserts

CUCTP 204-12 204	3/4	20	15/16 33.3	5 127	33/4 95	11/2 38	9/16 14	7/16 11	9/16 14	219/32 66	1.2205 31.0	0.5000 12.7	0.7205 18.3	3/8	CUC 204-12 204	TP 204	.8
CUCTP 205-14 205 205-16	7/8 1	25	17/16 36.5	51/2 140	41/8 105	11/2 38	9/16 14	7/16 11	9/16 14	213/16 71	1.3386 34.0	0.5630 14.3	0.7756 19.7	3/8	CUC 205-14 205 205-16	TP 205	.8
CUCTP 206-18 206 206-19 206-20	11/8 13/16 11/4S	30	111/16 42.9	613/32 163	411/16 119	113/16 46	23/32 18	9/16 14	11/16 18	319/64 84	1.5000 38.1	0.6260 15.9	0.8740 22.2	1/2	CUC 206-18 206 206-19 206-20	TP 206	1.2
CUCTP 207-20 207-22 207 207-23	11/4 13/8 17/16	35	17/8 47.6	65/8 168	5 127	129/32 48	23/32 18	9/16 14	11/16 18	311/16 94	1.6890 42.9	0.6890 17.5	1.0000 25.4	1/2	CUC 207-20 207-22 207 207-23	TP 207	1.7
CUCTP 208-24 208	11/2	40	115/16 49.2	71/4 184	57/16 137	21/8 54	23/32 18	9/16 14	25/32 20	329/32 99	1.9370 49.2	0.7480 19.0	1.1890 30.2	1/2	CUC 208-24 208	TP 208	2.2

BUCTP with Black Oxide Bearing Inserts

BUCTP 201-8 202-10 204-12 204	1/2 5/8 3/4	20	15/16 33.3	5 127	33/4 95	11/2 38	9/16 14	7/16 11	9/16 14	219/32 66	1.2205 31.0	0.5000 12.7	0.7205 18.3	3/8	BUC 201-8 202-10 204-12 204	TP 204	.8
BUCTP 205-14 205 205-16	7/8 1	25	17/16 36.5	51/2 140	41/8 105	11/2 38	9/16 14	7/16 11	9/16 14	213/16 71	1.3386 34.0	0.5630 14.3	0.7756 19.7	3/8	BUC 205-14 205 205-16	TP 205	.8
BUCTP 206-18 206 206-19 206-20	11/8 13/16 11/4S	30	111/16 42.9	613/32 163	411/16 119	113/16 46	23/32 18	9/16 14	11/16 18	319/64 84	1.5000 38.1	0.6260 15.9	0.8740 22.2	1/2	BUC 206-18 206 206-19 206-20	TP 206	1.2
BUCTP 207-20 207-22 207 207-23	11/4 13/8 17/16	35	17/8 47.6	65/8 168	5 127	129/32 48	23/32 18	9/16 14	11/16 18	311/16 94	1.6890 42.9	0.6890 17.5	1.0000 25.4	1/2	BUC 207-20 207-22 207 207-23	TP 207	1.7
BUCTP 208-24 208	11/2	40	115/16 49.2	71/4 184	57/16 137	21/8 54	23/32 18	9/16 14	25/32 20	329/32 99	1.9370 49.2	0.7480 19.0	1.1890 30.2	1/2	BUC 208-24 208	TP 208	2.2

THERMOPLASTIC PILLOW BLOCKS



Seal Options



B-type

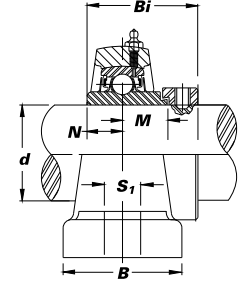
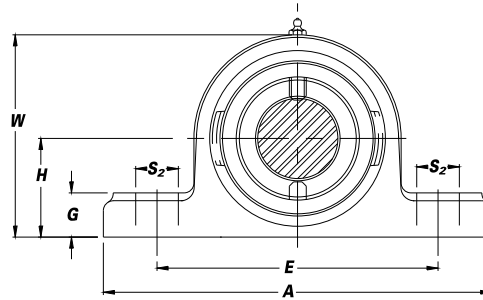


L3-type*

*Call for speed tolerances and available sizes

Eccentric locking collar. Optional bearing inserts: Stainless Steel-SNATP

» Overview of corrosion resistant products – pg. 47-48



Unit No.	Shaft Dia.		Dimensions (in. (mm))										Bolt Used (in.)	Bearing No.	Housing No.	Weight (lbs.)	
	d (in.)	d (mm)	H	A	E	B	S ₂	S ₁	G	W	Bi	N					M
SNATP 204-12 204	3/4	20	1 5/16 33.3	5 127	3 3/4 95	1 1/2 38	9/16 14	7/16 11	9/16 14	2 19/32 66	1.5433 39.2	0.5000 12.7	0.6693 17.0	3/8	SNA 204-12 204	TP 204	.9
SNATP 205-14 205 205-16	7/8	25	1 7/16 36.5	5 1/2 140	4 1/8 105	1 1/2 38	9/16 14	7/16 11	9/16 14	2 13/16 71	1.6220 41.2	0.5630 14.3	0.6850 17.4	3/8	SNA 205-14 205 205-16	TP 205	.9
SNATP 206 206-19 206-20	1 3/16 1 1/4S	30	1 11/16 42.9	6 13/32 163	4 11/16 119	1 13/16 46	23/32 18	9/16 14	1 1/16 18	3 19/64 84	1.8110 46.0	0.6260 15.9	0.7165 18.2	1/2	SNA 206 206-19 206-20	TP 206	1.3
SNATP 207-20 207-22 207 207-23	1 1/4 1 3/8 1 7/16	35	1 7/8 47.6	6 5/8 168	5 127	1 29/32 48	23/32 18	9/16 14	1 1/16 18	3 11/16 94	1.9606 49.8	0.6890 17.5	0.7402 18.8	1/2	SNA 207-20 207-22 207 207-23	TP 207	1.9
SNATP 208-24 208	1 1/2	40	1 15/16 49.2	7 1/4 184	5 7/16 137	2 1/8 54	23/32 18	9/16 14	2 5/32 20	3 29/32 99	2.1220 53.9	0.7480 19.0	0.8425 21.4	1/2	SNA 208-24 208	TP 208	2.4

THERMOPLASTIC 4-BOLT FLANGES



Seal Options



B-type



L3-type*



IP69K*

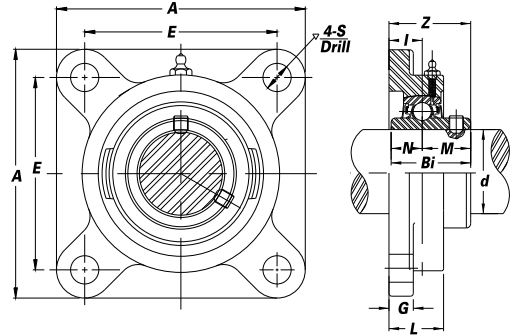
*Call for speed tolerances and available sizes

Set screw lock.

Optional bearing inserts:

**Stainless Steel-SUCTF, Hard Chrome Coated-CUCTF
Black Oxide-BUCTF**

- » End caps available
- » Overview of corrosion resistant products – pg. 47-48



Unit No.	Shaft Dia.		Dimensions (in.) (mm)										Bolt Used (in.)	Bearing No.	Housing No.	Weight (lbs.)		
	d (in.)	d (mm)	A	E	I	G	L	S	Z	Bi	N	M						
SUCTF with Stainless Steel Bearing Inserts																		
SUCTF 201-8	1/2															SUC 201-8		
202-10	5/8		3 3/8	2 1/2	2 3/32	1 7/32	1 3/32	7/16	1 7/16	1.2205	0.5000	0.7205	3/8			202-10		
204-12	3/4		86	64	18	13	28	11	36.5	31.0	12.7	18.3				204-12	TF 204	.7
204		20														204		
SUCTF 205-14	7/8															SUC 205-14		
205		25	3 3/4	2 3/4	4 3/64	9/16	1 3/32	7/16	1 7/16	1.3386	0.5630	0.7756	3/8			205	TF 205	.8
205-16	1		95	70	17	14	28	11	36.5	34.0	14.3	19.7				205-16		
SUCTF 206-18	1 1/8															SUC 206-18		
206		30	4 1/4	3 1/4	3/4	9/16	1 1/4	7/16	1 5/8	1.5000	0.6260	0.8740	3/8			206	TF 206	1.1
206-19	1 3/16		108	83	19	14	32	11	41.3	38.1	15.9	22.2				206-19		
206-20	1 1/4															206-20		
SUCTF 207-20	1 1/4															SUC 207-20		
207-21	1 5/16															207-21		
207-22	1 3/8		4 2 1/32	3 5/8	2 1/32	5/8	1 3/8	3 3/64	1 2 7/32	1.6890	0.6890	1.0000	7/16			207-22	TF 207	1.7
207		35	118	92	21	16	35	13	46.8	42.9	17.5	25.4				207		
207-23	1 7/16															207-23		
SUCTF 208-24	1 1/2															SUC 208-24		
208		40	5 1/8	4	2 3/32	2 1/32	1 15/32	3 5/64	2 3/32	1.9370	0.7480	1.1890	1/2			208	TF 208	2.2
			130	102	23	17	37	14	53.2	49.2	19.0	30.2						
CUCTF with Hard Chrome Coated Bearing Inserts																		
CUCTF 204-12	3/4															CUC 204-12		
204		20	86	64	18	13	28	11	36.5	31.0	12.7	18.3	3/8			204	TF 204	.7
CUCTF 205-14	7/8															CUC 205-14		
205		25	3 3/4	2 3/4	4 3/64	9/16	1 3/32	7/16	1 7/16	1.3386	0.5630	0.7756	3/8			205	TF 205	.8
205-16	1		95	70	17	14	28	11	36.5	34.0	14.3	19.7				205-16		
CUCTF 206-18	1 1/8															CUC 206-18		
206		30	4 1/4	3 1/4	3/4	9/16	1 1/4	7/16	1 5/8	1.5000	0.6260	0.8740	3/8			206	TF 206	1.1
206-19	1 3/16		108	83	19	14	32	11	41.3	38.1	15.9	22.2				206-19		
206-20	1 1/4															206-20		
CUCTF 207-20	1 1/4															CUC 207-20		
207-22	1 3/8		4 2 1/32	3 5/8	2 1/32	5/8	1 3/8	3 3/64	1 2 7/32	1.6890	0.6890	1.0000	7/16			207-22	TF 207	1.7
207		35	118	92	21	16	35	13	46.8	42.9	17.5	25.4				207		
207-23	1 7/16															207-23		
CUCTF 208-24	1 1/2															CUC 208-24		
208		40	5 1/8	4	2 3/32	2 1/32	1 15/32	3 5/64	2 3/32	1.9370	0.7480	1.1890	1/2			208	TF 208	2.2
			130	102	23	17	37	14	53.2	49.2	19.0	30.2						
BUCTF with Black Oxide Bearing Inserts																		
BUCTF 201-8	1/2															BUC 201-8		
202-10	5/8		3 3/8	2 1/2	2 3/32	1 7/32	1 3/32	7/16	1 7/16	1.2205	0.5000	0.7205	3/8			202-10		
204-12	3/4		86	64	18	13	28	11	36.5	31.0	12.7	18.3				204-12	TF 204	.7
204		20														204		
BUCTF 205-14	7/8															BUC 205-14		
205		25	3 3/4	2 3/4	4 3/64	9/16	1 3/32	7/16	1 7/16	1.3386	0.5630	0.7756	3/8			205	TF 205	.8
205-16	1		95	70	17	14	28	11	36.5	34.0	14.3	19.7				205-16		
BUCTF 206-18	1 1/8															BUC 206-18		
206		30	4 1/4	3 1/4	3/4	9/16	1 1/4	7/16	1 5/8	1.5000	0.6260	0.8740	3/8			206	TF 206	1.1
206-19	1 3/16		108	83	19	14	32	11	41.3	38.1	15.9	22.2				206-19		
206-20	1 1/4															206-20		
BUCTF 207-20	1 1/4															BUC 207-20		
207-22	1 3/8		4 2 1/32	3 5/8	2 1/32	5/8	1 3/8	3 3/64	1 2 7/32	1.6890	0.6890	1.0000	7/16			207-22	TF 207	1.7
207		35	118	92	21	16	35	13	46.8	42.9	17.5	25.4				207		
207-23	1 7/16															207-23		
BUCTF 208-24	1 1/2															BUC 208-24		
208		40	5 1/8	4	2 3/32	2 1/32	1 15/32	3 5/64	2 3/32	1.9370	0.7480	1.1890	1/2			208	TF 208	2.2
			130	102	23	17	37	14	53.2	49.2	19.0	30.2						

THERMOPLASTIC 4-BOLT FLANGES



Seal Options



B-type

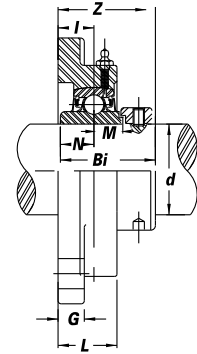
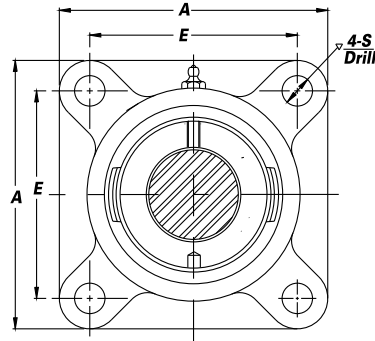


L3-type*

*Call for speed tolerances and available sizes

Eccentric locking collar. Optional bearing inserts: Stainless Steel-SNATF

» Overview of corrosion resistant products – pg. 47-48



Unit No.	Shaft Dia.		Dimensions (in.) (mm)									Bolt Used (in.)	Bearing No.	Housing No.	Weight (lbs.)	
	<i>d</i>	<i>d</i>	<i>A</i>	<i>E</i>	<i>I</i>	<i>G</i>	<i>L</i>	<i>S</i>	<i>Z</i>	<i>Bi</i>	<i>N</i>					<i>M</i>
SNATF with Stainless Steel Bearing Inserts																
SNATF 204-12 204	3/4 20	3/8 86	2 1/2 64	23/32 18	17/32 13	1 3/32 28	7/16 11	1 3/4 44.5	1.5433 39.2	0.5000 12.7	0.6693 17.0	3/8	SNA 204-12 204	TF 204	.8	
SNATF 205-14 205 205-16	7/8 25 1	3 3/4 95	2 3/4 70	43/64 17	9/16 14	1 3/32 28	7/16 11	1 47/64 43.9	1.6220 41.2	0.5630 14.3	0.6850 17.4	3/8	SNA 205-14 205 205-16	TF 205	.9	
SNATF 206-18 206 206-19 206-20	1 1/8 30 1 3/16 1 1/4 S	4 1/4 108	3 1/4 83	3/4 19	9/16 14	1 1/4 32	7/16 11	1 15/16 49.1	1.8110 46.0	0.6260 15.9	0.7165 18.2	3/8	SNA 206-18 206 206-19 206-20	TF 206	1.2	
SNATF 207-20 207-22 207 207-23	1 1/4 35 1 7/16	4 21/32 118	3 5/8 92	27/32 21	5/8 16	1 3/8 35	33/64 13	2 3/32 53.3	1.9606 49.8	0.6890 17.5	0.7402 18.8	7/16	SNA 207-20 207-22 207 207-23	TF 207	1.9	
SNATF 208-24 208	1 1/2 40	5 1/8 130	4 102	23/32 23	21/32 17	1 15/32 37	35/64 14	2 3/32 57.9	2.1220 53.9	0.7480 19.0	0.8425 21.4	1/2	SNA 208-24 208	TF 208	2.4	

THERMOPLASTIC 2-BOLT FLANGES



Seal Options



B-type



L3-type*



IP69K*

*Call for speed tolerances and available sizes

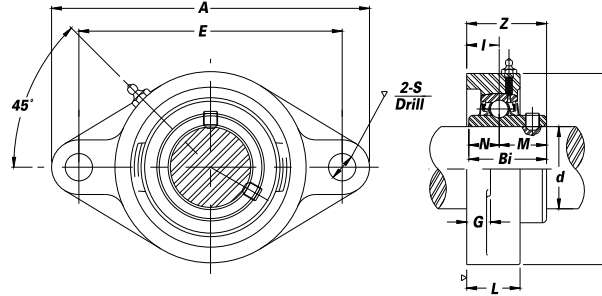
Set screw lock.

Optional bearing inserts:

**Stainless Steel-SUCTFL, Hard Chrome Coated-CUCTFL
Black Oxide-BUCTFL**

» End caps available

» Overview of corrosion resistant products – pg. 47-48



Unit No.	Shaft Dia.		Dimensions (in.)										Bolt Used	Bearing No.	Housing Weight (lbs.)		
	d	(in.) (mm)	A	E	I	G	L	S	B	Z	Bi	N				M	(in.)
SUCTFL with Stainless Steel Bearing Inserts																	
SUCTFL 201-8	1/2															SUC 201-8	
202-10	5/8	47/16	317/32	39/64	7/16	11/32	7/16	217/32	121/64	1.2205	0.5000	0.7205	3/8	202-10	TFL 204	.5	
204-12	3/4	113	89.7	15	11	26	11	64	33.7	31.0	12.7	18.3	3/8	204-12			
204	20													204			
SUCTFL 205-14	7/8	5 1/8	357/64	43/64	17/32	15/32	7/16	2 3/4	1 7/16	1.3386	0.5630	0.7756	3/8	SUC 205-14	TFL 205	.7	
205	25	130	98.8	17	13	29	11	70	36.5	34.0	14.3	19.7	3/8	205			
205-16	1													205-16			
SUCTFL 206-18	1 1/8	5 13/16	419/32	3/4	17/32	17/32	7/16	3 5/32	1 39/64	1.5000	0.6260	0.8740	3/8	SUC 206-18	TFL 206	1.1	
206	30	148	116.7	19	13	31	11	80	40.9	38.1	15.9	22.2	3/8	206			
206-19	1 3/16													206-19			
206-20	1 1/4 S													206-20			
SUCTFL 207-20	1 1/4	6 15/32	5 1/8	23/32	5/8	1 9/32	33/64	3 17/32	1 23/32	1.6890	0.6890	1.0000	1/2	SUC 207-20	TFL 207	1.5	
207-21	1 5/16	164	130.2	18	16	33	13	90	43.7	42.9	17.5	25.4	1/2	207-21			
207-22	1 3/8													207-22			
207	35													207			
207-23	1 7/16													207-23			
SUCTFL 208-24	1 1/2	6 7/8	5 21/32	27/32	25/32	1 15/32	35/64	3 15/16	1 23/64	1.9370	0.7480	1.1890	1/2	SUC 208-24	TFL 208	2.0	
208	40	175	143.7	21	20	37	14	100	52.0	49.2	19.0	30.2	1/2	208			
CUCTFL with Hard Chrome Coated Bearing Inserts																	
CUCTFL 204-12	3/4	47/16	317/32	39/64	7/16	11/32	7/16	217/32	121/64	1.2205	0.5000	0.7205	3/8	CUC 204-12	TFL 204	.5	
204	20	113	89.7	15	11	26	11	64	33.7	31.0	12.7	18.3	3/8	204			
CUCTFL 205-14	7/8	5 1/8	357/64	43/64	17/32	15/32	7/16	2 3/4	1 7/16	1.3386	0.5630	0.7756	3/8	CUC 205-14	TFL 205	.7	
205	25	130	98.8	17	13	29	11	70	36.5	34.0	14.3	19.7	3/8	205			
205-16	1													205-16			
CUCTFL 206-18	1 1/8	5 13/16	419/32	3/4	17/32	17/32	7/16	3 5/32	1 39/64	1.5000	0.6260	0.8740	3/8	CUC 206-18	TFL 206	1.1	
206	30	148	116.7	19	13	31	11	80	40.9	38.1	15.9	22.2	3/8	206			
206-19	1 3/16													206-19			
206-20	1 1/4 S													206-20			
CUCTFL 207-20	1 1/4	6 15/32	5 1/8	23/32	5/8	1 9/32	33/64	3 17/32	1 23/32	1.6890	0.6890	1.0000	1/2	CUC 207-20	TFL 207	1.5	
207-22	1 3/8	164	130.2	18	16	33	13	90	43.7	42.9	17.5	25.4	1/2	207-22			
207	35													207			
207-23	1 7/16													207-23			
CUCTFL 208-24	1 1/2	6 7/8	5 21/32	27/32	25/32	1 15/32	35/64	3 15/16	1 23/64	1.9370	0.7480	1.1890	1/2	CUC 208-24	TFL 208	2.0	
208	40	175	143.7	21	20	37	14	100	52.0	49.2	19.0	30.2	1/2	208			
BUCTFL with Black Oxide Bearing Inserts																	
BUCTFL 201-8	1/2													BUC 201-8			
202-10	5/8	47/16	317/32	39/64	7/16	11/32	7/16	217/32	121/64	1.2205	0.5000	0.7205	3/8	BUC 202-10	TFL 204	.5	
204-12	3/4	113	89.7	15	11	26	11	64	33.7	31.0	12.7	18.3	3/8	204-12			
204	20													204			
BUCTFL 205-14	7/8	5 1/8	357/64	43/64	17/32	15/32	7/16	2 3/4	1 7/16	1.3386	0.5630	0.7756	3/8	BUC 205-14	TFL 205	.7	
205	25	130	98.8	17	13	29	11	70	36.5	34.0	14.3	19.7	3/8	205			
205-16	1													205-16			
BUCTFL 206-18	1 1/8	5 13/16	419/32	3/4	17/32	17/32	7/16	3 5/32	1 39/64	1.5000	0.6260	0.8740	3/8	BUC 206-18	TFL 206	1.1	
206	30	148	116.7	19	13	31	11	80	40.9	38.1	15.9	22.2	3/8	206			
206-19	1 3/16													206-19			
206-20	1 1/4 S													206-20			
BUCTFL 207-20	1 1/4	6 15/32	5 1/8	23/32	5/8	1 9/32	33/64	3 17/32	1 23/32	1.6890	0.6890	1.0000	1/2	BUC 207-20	TFL 207	1.5	
207-22	1 3/8	164	130.2	18	16	33	13	90	43.7	42.9	17.5	25.4	1/2	207-22			
207	35													207			
207-23	1 7/16													207-23			
BUCTFL 208-24	1 1/2	6 7/8	5 21/32	27/32	25/32	1 15/32	35/64	3 15/16	1 23/64	1.9370	0.7480	1.1890	1/2	BUC 208-24	TFL 208	2.0	
208	40	175	143.7	21	20	37	14	100	52.0	49.2	19.0	30.2	1/2	208			

THERMOPLASTIC 2-BOLT FLANGES



Seal Options



B-type

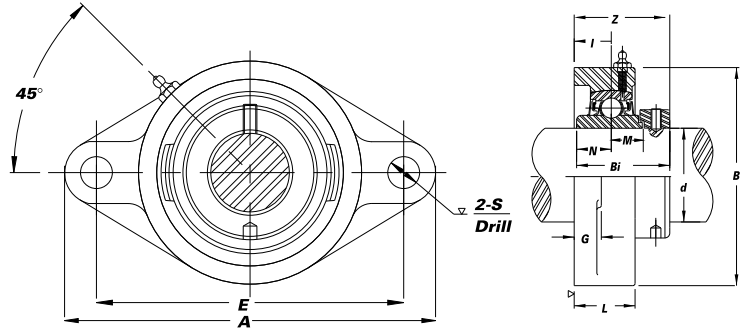


L3-type*

*Call for speed tolerances and available sizes

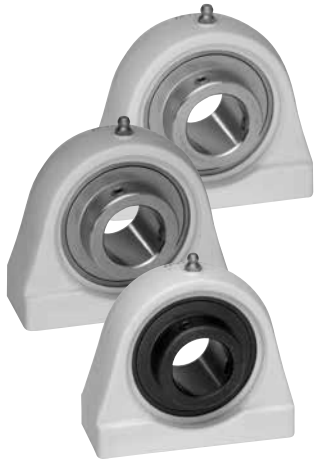
Eccentric locking collar. Optional bearing inserts: Stainless Steel-SNATFL

» Overview of corrosion resistant products – pg. 47-48



Unit No.	Shaft Dia.		Dimensions (in.) (mm)											Bolt Used (in.)	Bearing No.	Housing No.	Weight (lbs.)
	<i>d</i>	<i>d</i>	<i>A</i>	<i>E</i>	<i>I</i>	<i>G</i>	<i>L</i>	<i>S</i>	<i>B</i>	<i>Z</i>	<i>Bi</i>	<i>N</i>	<i>M</i>				
SNATFL with Stainless Steel Bearing Inserts																	
SNATFL 204-12 204	3/4 20	47/16 113	317/32 89.7	39/64 15	7/16 11	11/32 26	7/16 11	217/32 64	15/8 41.5	1.5433 39.2	0.5000 12.7	0.6693 17.0	3/8	SNA 204-12 204	TFL 204	.6	
SNATFL 205-14 205-16	7/8 1	51/8 130	357/64 98.8	43/64 17	17/32 13	15/32 29	7/16 11	23/4 70	147/64 43.9	1.6220 41.2	0.5630 14.3	0.6850 17.4	3/8	SNA 205-14 205-16	TFL 205	.8	
SNATFL 206-18 206-19 206-20	1 1/8 1 3/16 1 1/4 S	5 13/16 148	4 19/32 116.7	3/4 19	17/32 13	17/32 31	7/16 11	3 5/32 80	1 15/16 49.1	1.8110 46.0	0.6260 15.9	0.7165 18.2	3/8	SNA 206-18 206-19 206-20	TFL 206	1.2	
SNATFL 207-20 207-22 207-23	1 1/4 1 3/8 1 7/16	6 15/32 164	5 1/8 130.2	23/32 18	5/8 16	1 9/32 33	33/64 13	3 17/32 90	1 63/64 50.3	1.9606 49.8	0.6890 17.5	0.7402 18.8	1/2	SNA 207-20 207-22 207-23	TFL 207	1.7	
SNATFL 208-24 208	1 1/2 40	6 7/8 175	5 21/32 143.7	27/32 21	25/32 20	1 15/32 37	35/64 14	3 15/16 100	2 13/64 55.9	2.1220 53.9	0.7480 19.0	0.8425 21.4	1/2	SNA 208-24 208	TFL 208	2.2	

THERMOPLASTIC TAPPED BASE PILLOW BLOCKS



Seal Options



B-type



L3-type*

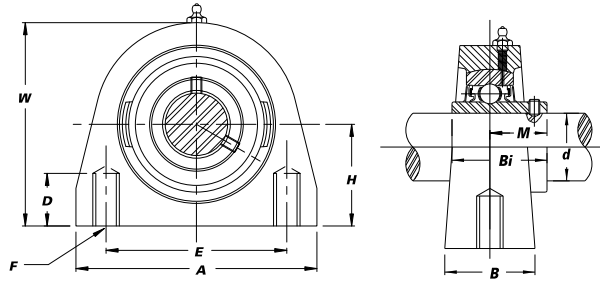


IP69K*

*Call for speed tolerances and available sizes

Optional bearing inserts: Stainless Steel-SUCTPA, Hard Chrome Coated-CUCTPA, Black Oxide-BUCTPA

- » End caps available
- » Overview of corrosion resistant products – pg. 47-48



Unit No.	Shaft Dia.		Dimensions (in.) (mm)									Bearing No.	Housing No.	Weight (lbs.)	
	<i>d</i>		<i>H</i>	<i>A</i>	<i>E</i>	<i>B</i>	<i>W</i>	<i>F</i> -Tapped Holes	<i>D</i> -Min Tap Depth	<i>M</i>	<i>Bi</i>				
	(in.)	(mm)													
SUCTPA with Stainless Steel Bearing Inserts															
SUCTPA 201-8	1/2											SUC 201-8			
202-10	5/8		1 ⁵ / ₁₆	2 ⁷ / ₈	2	1 ³ / ₈	2 ¹⁹ / ₃₂	3/8"-16	1/2	0.7205	1.2205	202-10	TPA 204	.6	
204-12	3/4	20	33.3	73	50.8	35	66	UNC	13	18.3	31.0	204-12			
204												204			
SUCTPA 205-14	7/8	25	17 ¹ / ₁₆	3	2	1 ⁹ / ₁₆	2 ²⁹ / ₃₂	3/8"-16	1/2	0.7756	1.3386	SUC 205-14	TPA 205	.8	
205			36.5	76	50.8	40	74	UNC	13	19.7	34.0	205			
205-16	1											205-16			
SUCTPA 206-18	1 ¹ / ₈	30	1 ¹¹ / ₁₆	4	3	1 ¹¹ / ₁₆	3 ⁵ / ₁₆	7/16"-14	1/2	0.8740	1.5000	SUC 206-18	TPA 206	1.2	
206			42.9	102	76.2	43	84	UNC	13	22.2	38.1	206			
206-19	1 ³ / ₁₆											206-19			
206-20	1 ¹ / ₄ S											206-20			
SUCTPA 207-20	1 ¹ / ₄	35	1 ⁷ / ₈	4 ⁵ / ₁₆	3 ¹ / ₄	1 ⁷ / ₈	3 ³ / ₄	1/2"-13	4 ¹ / ₆₄	1.0000	1.6890	SUC 207-20	TPA 207	1.7	
207-21	1 ⁵ / ₁₆		47.6	110	82.6	48	95	UNC	16	25.4	42.9	207-21			
207-22	1 ³ / ₈											207-22			
207												207			
207-23	1 ⁷ / ₁₆											207-23			
SUCTPA 208-24	1 ¹ / ₂	40	1 ¹⁵ / ₁₆	4 ³ / ₄	3 ¹ / ₂	1 ⁷ / ₈	4	1/2"-13	4 ¹ / ₆₄	1.1890	1.9370	SUC 208-24	TPA 208	2.1	
208			49.2	120	88.9	48	101	UNC	16	30.2	49.2	208			
CUCTPA with Hard Chrome Coated Bearing Inserts															
CUCTPA 204-12	3/4	20	1 ⁵ / ₁₆	2 ⁷ / ₈	2	1 ³ / ₈	2 ¹⁹ / ₃₂	3/8"-16	1/2	0.7205	1.2205	CUC 204-12	TPA 204	.6	
204			33.3	73	50.8	35	66	UNC	13	18.3	31.0	204			
CUCTPA 205-14	7/8	25	17 ¹ / ₁₆	3	2	1 ⁹ / ₁₆	2 ²⁹ / ₃₂	3/8"-16	1/2	0.7756	1.3386	CUC 205-14	TPA 205	.8	
205			36.5	76	50.8	40	74	UNC	13	19.7	34.0	205			
205-16	1											205-16			
CUCTPA 206-18	1 ¹ / ₈	30	1 ¹¹ / ₁₆	4	3	1 ¹¹ / ₁₆	3 ⁵ / ₁₆	7/16"-14	1/2	0.8740	1.5000	CUC 206-18	TPA 206	1.2	
206			42.9	102	76.2	43	84	UNC	13	22.2	38.1	206			
206-19	1 ³ / ₁₆											206-19			
206-20	1 ¹ / ₄ S											206-20			
CUCTPA 207-20	1 ¹ / ₄	35	1 ⁷ / ₈	4 ⁵ / ₁₆	3 ¹ / ₄	1 ⁷ / ₈	3 ³ / ₄	1/2"-13	4 ¹ / ₆₄	1.0000	1.6890	CUC 207-20	TPA 207	1.7	
207-22	1 ³ / ₈		47.6	110	82.6	48	95	UNC	16	25.4	49.2	207-22			
207												207			
207-23	1 ⁷ / ₁₆											207-23			
CUCTPA 208-24	1 ¹ / ₂	40	1 ¹⁵ / ₁₆	4 ³ / ₄	3 ¹ / ₂	1 ⁷ / ₈	4	1/2"-13	4 ¹ / ₆₄	1.1890	1.9370	CUC 208-24	TPA 208	2.1	
208			49.2	120	88.9	48	101	UNC	16	30.2	49.2	208			
BUCTPA with Black Oxide Bearing Inserts															
BUCTPA 201-8	1/2											BUC 201-8			
202-10	5/8		1 ⁵ / ₁₆	2 ⁷ / ₈	2	1 ³ / ₈	2 ¹⁹ / ₃₂	3/8"-16	1/2	0.7205	1.2205	202-10	TPA 204	.6	
204-12	3/4	20	33.3	73	50.8	35	66	UNC	13	18.3	31.0	204-12			
204												204			
BUCTPA 205-14	7/8	25	17 ¹ / ₁₆	3	2	1 ⁹ / ₁₆	2 ²⁹ / ₃₂	3/8"-16	1/2	0.7756	1.3386	BUC 205-14	TPA 205	.8	
205			36.5	76	50.8	40	74	UNC	13	19.7	34.0	205			
205-16	1											205-16			
BUCTPA 206-18	1 ¹ / ₈	30	1 ¹¹ / ₁₆	4	3	1 ¹¹ / ₁₆	3 ⁵ / ₁₆	7/16"-14	1/2	0.8740	1.5000	BUC 206-18	TPA 206	1.2	
206			42.9	102	76.2	43	84	UNC	13	22.2	38.1	206			
206-19	1 ³ / ₁₆											206-19			
206-20	1 ¹ / ₄ S											206-20			
BUCTPA 207-20	1 ¹ / ₄	35	1 ⁷ / ₈	4 ⁵ / ₁₆	3 ¹ / ₄	1 ⁷ / ₈	3 ³ / ₄	1/2"-13	4 ¹ / ₆₄	1.0000	1.6890	BUC 207-20	TPA 207	1.7	
207-22	1 ³ / ₈		47.6	110	82.6	48	95	UNC	16	25.4	42.9	207-22			
207												207			
207-23	1 ⁷ / ₁₆											207-23			
BUCTPA 208-24	1 ¹ / ₂	40	1 ¹⁵ / ₁₆	4 ³ / ₄	3 ¹ / ₂	1 ⁷ / ₈	4	1/2"-13	4 ¹ / ₆₄	1.1890	1.9370	BUC 208-24	TPA 208	2.1	
208			49.2	120	88.9	48	101	UNC	16	30.2	49.2	208			

THERMOPLASTIC 3-BOLT FLANGES



Seal Options



B-type



L3-type*



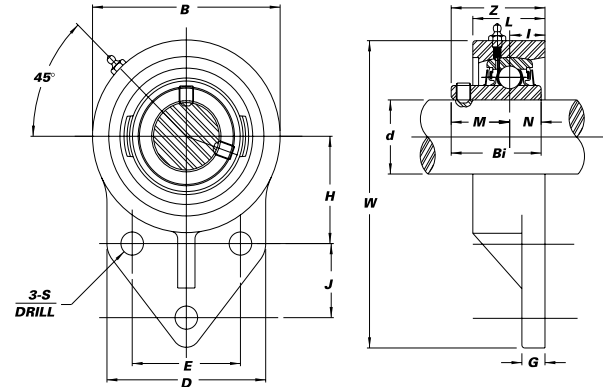
IP69K*

*Call for speed tolerances and available sizes

Optional bearing inserts: Stainless Steel-SUCTFB, Hard Chrome Coated- CUCTFB, Black Oxide-BUCTFB

» End caps available

» Overview of corrosion resistant products – pg. 47-48



Unit No.	Shaft Dia.		Dimensions (in.) (mm)													Bolt Used (in.)	Bearing No.	Housing No.	Weight (lbs.)
	d (in.)	d (mm)	W	B	D	L	S	G	H	J	E	I	Z	Bi	N				

SUCTFB with Stainless Steel Bearing Inserts

SUCTFB 201-8 202-10 204-12 204	1/2 5/8 3/4	20	4 1/4 108	2 1/2 64	2 7/16 62	1 1/32 26	25/64 9.9	7/16 11	1 11/16 43.3	7/8 22.2	1 1/2 38.1	19/32 15	1 5/16 33.3	1.2205 31.0	0.5000 12.7	0.7205 18.3	5/16	SUC 201-8 202-10 204-12 204	TFB 204	.6
SUCTFB 205-14 205 205-16	7/8 1	25	4 3/4 121	2 3/4 70	2 1/2 64	1 11/32 34	25/64 9.9	7/16 11	1 13/16 46.0	1 1/8 28.6	1 5/8 41.3	21/32 16.5	1 15/32 37.1	1.3386 34.0	0.5630 14.3	0.7756 19.7	5/16	SUC 205-14 205 205-16	TFB 205	.7
SUCTFB 206-18 206 206-19 206-20	1 1/8 1 3/16 1 1/4S	30	5 3/8 137	3 1/4 83	3 76	1 1/4 32	25/64 9.9	17/32 13	2 1/16 52.4	1 1/4 31.8	1 7/8 47.6	45/64 18	1 19/32 40.6	1.5000 38.1	0.6260 15.9	0.8740 22.2	5/16	SUC 206-18 206 206-19 206-20	TFB 206	1.1
SUCTFB 207-20 207-21 207-22 207 207-23	1 1/4 1 5/16 1 3/8	35	6 1/8 156	3 3/4 95	3 1/2 89	1 7/16 37	33/64 13.1	41/64 16	2 3/8 60.3	1 1/4 31.8	2 50.8	3/4 19	1 49/64 45.0	1.6890 42.9	0.6890 17.5	1.0000 25.4	7/16	SUC 207-20 207-21 207-22 207 207-23	TFB 207	1.5

CUCTFB with Hard Chrome Coated Bearing Inserts

CUCTFB 204-12 204	3/4	20	4 1/4 108	2 1/2 64	2 7/16 62	1 1/32 26	25/64 9.9	7/16 11	1 11/16 43.3	7/8 22.2	1 1/2 38.1	19/32 15	1 5/16 33.3	1.2205 31.0	0.5000 12.7	0.7205 18.3	5/16	CUC 204-12 204	TFB 204	.6
CUCTFB 205-15 205 205-16	7/8 1	25	4 3/4 121	2 3/4 70	2 1/2 64	1 11/32 34	25/64 9.9	7/16 11	1 13/16 46.0	1 1/8 28.6	1 5/8 41.3	21/32 16.5	1 15/32 37.1	1.3386 34.0	0.5630 14.3	0.7756 19.7	5/16	CUC 205-14 205 205-16	TFB 205	.7
CUCTFB 206-18 206 206-19 206-20	1 1/8 1 3/16 1 1/4S	30	5 3/8 137	3 1/4 83	3 76	1 1/4 32	25/64 9.9	17/32 13	2 1/16 52.4	1 1/4 31.8	1 7/8 47.6	45/64 18	1 19/32 40.6	1.5000 38.1	0.6260 15.9	0.8740 22.2	5/16	CUC 206-18 206 206-19 206-20	TFB 206	1.1
CUCTFB 207-20 207-22 207 207-23	1 1/4 1 3/8	35	6 1/8 156	3 3/4 95	3 1/2 89	1 7/16 37	33/64 13.1	41/64 16	2 3/8 60.3	1 1/4 31.8	2 50.8	3/4 19	1 49/64 45.0	1.6890 42.9	0.6890 17.5	1.0000 25.4	7/16	CUC 207-20 207-22 207 207-23	TFB 207	1.5

BUCTFB with Black Oxide Bearing Inserts

BUCTFB 201-8 202-10 204-12 204	1/2 5/8 3/4	20	4 1/4 108	2 1/2 64	2 7/16 62	1 1/32 26	25/64 9.9	7/16 11	1 11/16 43.3	7/8 22.2	1 1/2 38.1	19/32 15	1 5/16 33.3	1.2205 31.0	0.5000 12.7	0.7205 18.3	5/16	BUC 201-8 202-10 204-12 204	TFB 204	.6
BUCTFB 205-14 205 205-16	7/8 1	25	4 3/4 121	2 3/4 70	2 1/2 64	1 11/32 34	25/64 9.9	7/16 11	1 13/16 46.0	1 1/8 28.6	1 5/8 41.3	21/32 16.5	1 15/32 37.1	1.3386 34.0	0.5630 14.3	0.7756 19.7	5/16	BUC 205-14 205 205-16	TFB 205	.7
BUCTFB 206-18 206 206-19 206-20	1 1/8 1 3/16 1 1/4S	30	5 3/8 137	3 1/4 83	3 76	1 1/4 32	25/64 9.9	17/32 13	2 1/16 52.4	1 1/4 31.8	1 7/8 47.6	45/64 18	1 19/32 40.6	1.5000 38.1	0.6260 15.9	0.8740 22.2	5/16	BUC 206-18 206 206-19 206-20	TFB 206	1.1
BUCTFB 207-20 207-21 207-22 207 207-23	1 1/4 1 5/16 1 3/8	35	6 1/8 156	3 3/4 95	3 1/2 89	1 7/16 37	33/64 13.1	41/64 16	2 3/8 60.3	1 1/4 31.8	2 50.8	3/4 19	1 49/64 45.0	1.6890 42.9	0.6890 17.5	1.0000 25.4	7/16	BUC 207-20 207-21 207-22 207 207-23	TFB 207	1.5

NICKEL PLATED PILLOW BLOCKS

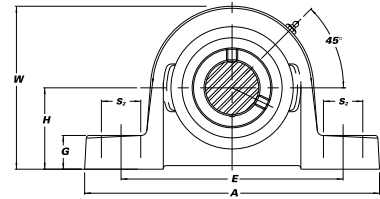
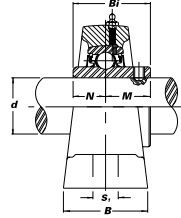


Seal Options



- » High shaft height
- » Available with locking collar bearings
- » Overview of corrosion resistant products – pg. 47-48

Optional bearing inserts: Stainless Steel-SUCNPP Hard Chrome Coated-CUCNPP



Unit No.	Shaft Dia.		Dimensions (in.)										Bolt Used	Bearing No.	Housing No.	Weight (lbs.)
	d	d	H	A	E	B	S ₂	S ₁	G	W	Bi	N				

SUCNPP with Stainless Steel Bearing Inserts

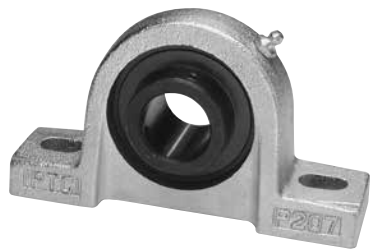
SUCNPP 201-8	1/2																SUC 201-8		
202-10	5/8		1 ⁵ / ₁₆	5	3 ³ / ₄	1 ¹ / ₂	1 ¹ / ₁₆	7 ⁷ / ₁₆	9 ⁹ / ₁₆	2 ¹⁹ / ₃₂	1.2205	0.5000	0.7205	3/8			SUC 202-10		
204-12	3/4		33.3	127	95	38	17	11	14	66	31.0	12.7	18.3				204-12	NPP 204	1.6
204		20															204		
SUCNPP 205-14	7/8		1 ⁷ / ₁₆	5 ¹ / ₂	4 ¹ / ₈	1 ¹ / ₂	1 ¹ / ₁₆	1 ¹ / ₂	5 ⁵ / ₈	2 ²⁷ / ₃₂	1.3386	0.5630	0.7756	3/8			SUC 205-14		
205		25	36.5	140	105	38	17	13	16	72	34.0	14.3	19.7				205	NPP 205	2.0
205-16	1																205-16		
SUCNPP 206-18	1 ¹ / ₈		1 ¹¹ / ₁₆ *1	6 ⁵ / ₁₆	4 ³ / ₄	1 ³ / ₄	1 ³ / ₁₆	9 ⁹ / ₁₆	1 ¹¹ / ₁₆	3 ¹⁹ / ₆₄	1.5000	0.6260	0.8740	1/2			SUC 206-18		
206		30	42.9	160	121	44	21	14	18	84	38.1	15.9	22.2				206	NPP 206	3.0
206-19	1 ³ / ₁₆																206-19		
206-20	1 ¹ / ₄ S																206-20		
SUCNPP 207-20	1 ¹ / ₄																SUC 207-20		
207-21	1 ⁵ / ₁₆		1 ⁷ / ₈	6 ¹⁷ / ₃₂	5	1 ²⁹ / ₃₂	7 ⁷ / ₈	9 ⁹ / ₁₆	3 ³ / ₄	3 ¹¹ / ₁₆	1.6890	0.6890	1.0000	1/2			207-21		
207-22	1 ³ / ₈		47.6	166	127	48	22	14	19	94	42.9	17.5	25.4				207-22	NPP 207	4.0
207		35															207		
207-23	1 ⁷ / ₁₆																207-23		
SUCNPP 208-24	1 ¹ / ₂		1 ¹⁵ / ₁₆ *2	7 ⁷ / ₈	5 ⁵ / ₁₆	2	7 ⁷ / ₈	9 ⁹ / ₁₆	1 ¹³ / ₁₆	4	1.9370	0.7480	1.1890	1/2			SUC 208-24		
208		40	49.2	181	137	51	22	14	21	102	49.2	19.0	30.2				208	NPP 208	5.0
SUCNPP 209-27	1 ¹¹ / ₁₆		2 ¹ / ₈	7 ¹ / ₂	5 ³ / ₄	2 ¹ / ₈	1 ¹³ / ₁₆	1 ¹⁹ / ₃₂	7 ⁷ / ₈	4 ¹⁷ / ₆₄	1.9370	0.7480	1.1890	1/2			SUC 209-27		
209-28	1 ³ / ₄		54.0	190	146	54	21	15	22	109	49.2	19.0	30.2				209-28		
209		45															209	NPP 209	5.7
SUCNPP 210-31	1 ¹⁵ / ₁₆		2 ¹ / ₄	8	6 ¹ / ₄	2 ¹ / ₄	1 ¹⁵ / ₁₆	2 ²³ / ₃₂	1 ¹⁵ / ₁₆	4 ⁴³ / ₆₄	2.0315	0.7480	1.2835	5/8			SUC 210-31		
210		50	57.2	203	159	57	24	18	24	115	51.6	19.0	32.6				210	NPP 210	6.8
210-32	2S																210-32		
SUCNPP 211-32	2		2 ¹ / ₂	8 ⁵ / ₈	6 ⁷ / ₈	2 ² / ₈	1 ¹⁵ / ₁₆	2 ²³ / ₃₂	1 ¹¹ / ₁₆	5 ¹ / ₃₂	2.1890	0.8740	1.3150	5/8			SUC 211-32		
211-35	2 ³ / ₁₆		63.5	220	174	60	24	18	27	128	55.6	22.2	33.4				211-35		
SUCNPP 212-36	2 ¹ / ₄		2 ³ / ₄	9 ¹⁷ / ₃₂	7 ¹¹ / ₃₂	2 ¹ / ₂	1	2 ²⁵ / ₃₂	1 ¹¹ / ₁₆	5 ³³ / ₆₄	2.5630	1.0000	1.5630	5/8			SUC 212-36		
212-39	2 ⁷ / ₁₆		69.8	242	187	64	25.4	20	27	140	65.1	25.4	39.7				212-39		

CUCNPP with Hard Chrome Coated Bearing Inserts

CUCNPP 204-12	3/4		1 ⁵ / ₁₆	5	3 ³ / ₄	1 ¹ / ₂	1 ¹¹ / ₁₆	7 ⁷ / ₁₆	9 ⁹ / ₁₆	2 ¹⁹ / ₃₂	1.2205	0.5000	0.7205	3/8			CUC 204-12		
204		20	33.3	127	95	38	17	11	14	66	31.0	12.7	18.3				204	NPP 204	1.6
SUCNPP 205-14	7/8		1 ⁷ / ₁₆	5 ¹ / ₂	4 ¹ / ₈	1 ¹ / ₂	1 ¹¹ / ₁₆	1 ¹ / ₂	5 ⁵ / ₈	2 ²⁷ / ₃₂	1.3386	0.5630	0.7756	3/8			CUC 205-14		
205		25	36.5	140	105	38	17	13	16	72	34.0	14.3	19.7				205	NPP 205	2.0
205-16	1																205-16		
SUCNPP 206-18	1 ¹ / ₈		1 ¹¹ / ₁₆ *1	6 ⁵ / ₁₆	4 ³ / ₄	1 ³ / ₄	1 ³ / ₁₆	9 ⁹ / ₁₆	1 ¹¹ / ₁₆	3 ¹⁹ / ₆₄	1.5000	0.6260	0.8740	1/2			CUC 206-18		
206		30	42.9	160	121	44	21	14	18	84	38.1	15.9	22.2				206	NPP 206	3.0
206-19	1 ³ / ₁₆																206-19		
206-20	1 ¹ / ₄ S																206-20		
SUCNPP 207-20	1 ¹ / ₄																CUC 207-20		
207-22	1 ³ / ₈		1 ⁷ / ₈	6 ¹⁷ / ₃₂	5	1 ²⁹ / ₃₂	7 ⁷ / ₈	9 ⁹ / ₁₆	3 ³ / ₄	3 ¹¹ / ₁₆	1.6890	0.6890	1.0000	1/2			207-22		
207		35	47.6	166	127	48	22	14	19	94	42.9	17.5	25.4				207	NPP 207	4.0
207-23	1 ⁷ / ₁₆																207-23		
SUCNPP 208-24	1 ¹ / ₂		1 ¹⁵ / ₁₆ *2	7 ⁷ / ₈	5 ⁵ / ₁₆	2	7 ⁷ / ₈	9 ⁹ / ₁₆	1 ¹³ / ₁₆	4	1.9370	0.7480	1.1890	1/2			CUC 208-24		
208		40	49.2	181	137	51	22	14	21	102	49.2	19.0	30.2				208	NPP 208	5.0
SUCNPP 209-27	1 ¹¹ / ₁₆		2 ¹ / ₈	7 ¹ / ₂	5 ³ / ₄	2 ¹ / ₈	1 ¹³ / ₁₆	1 ¹⁹ / ₃₂	7 ⁷ / ₈	4 ¹⁷ / ₆₄	1.9370	0.7480	1.1890	1/2			CUC 209-27		
209-28	1 ³ / ₄		54.0	190	146	54	21	15	22	109	49.2	19.0	30.2				209-28		
209		45															209	NPP 209	5.7
SUCNPP 210-31	1 ¹⁵ / ₁₆		2 ¹ / ₄	8	6 ¹ / ₄	2 ¹ / ₄	1 ¹⁵ / ₁₆	2 ²³ / ₃₂	1 ¹⁵ / ₁₆	4 ⁴³ / ₆₄	2.0315	0.7480	1.2835	5/8			CUC 210-31		
210		50	57.2	203	159	57	24	18	24	115	51.6	19.0	32.6				210	NPP 210	6.8
210-32	2S																210-32		
SUCNPP 211-32	2		2 ¹ / ₂	8 ⁵ / ₈	6 ⁷ / ₈	2 ² / ₈	1 ¹⁵ / ₁₆	2 ²³ / ₃₂	1 ¹¹ / ₁₆	5 ¹ / ₃₂	2.1890	0.8740	1.3150	5/8			CUC 211-32		
211-35	2 ³ / ₁₆		63.5	220	174	60	24	18	27	128	55.6	22.2	33.4				211-35		
SUCNPP 212-36	2 ¹ / ₄		2 ³ / ₄	9 ¹⁷ / ₃₂	7 ¹¹ / ₃₂	2 ¹ / ₂	1	2 ²⁵ / ₃₂	1 ¹¹ / ₁₆	5 ³³ / ₆₄	2.5630	1.0000	1.5630	5/8			CUC 212-36		
212-39	2 ⁷ / ₁₆		69.8	242	187	64	25.4	20	27	140	65.1	25.4	39.7				212-39		
SUCNPP 213-40	2 ¹ / ₂		3	10 ³ / ₄	8 ¹ / ₈	2 ¹¹ / ₁₆	1 ¹³ / ₁₆	1 ¹³ / ₁₆	1 ¹¹ / ₈	6 ¹ / ₃₂	2.5630	1.0000	1.5630	7/8			CUC 213-40		
213-40			76.2	273	206	68	30	20	28	153	65.1	25.4	39.7				213-40	NPP 213	14.1
SUCNPP 215-47	2 ¹⁵ / ₁₆		3 ¹ / ₄	10 ¹³ / ₁₆	8 ¹ / ₂	2 ¹⁵ / ₁₆	1 ¹ / ₄	1	1 ¹¹ / ₈	6 ³³ / ₆₄	3.0630	1.3110	1.7520	7/8			CUC 215-47		
215-48	3		82.6	275	217	75	31	25.4	29	166	77.8	33.3	44.5				215-48	NPP 215	17.0

*1 Also available 1⁵/₈" *2 Also available 2¹/₈"

NICKEL PLATED PILLOW BLOCKS

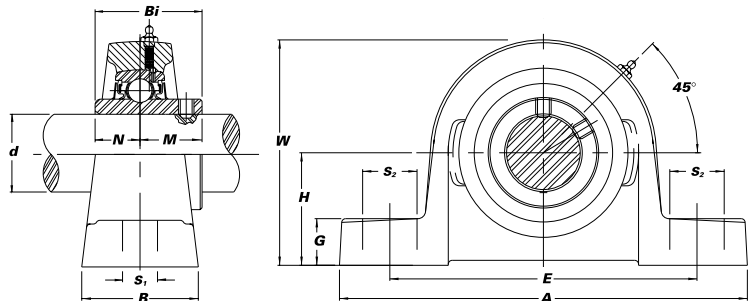


Seal Options



Black Oxide bearing inserts: BUCNPP.

- » High Shaft Height
- » Overview of corrosion resistant products – pg. 47-48



Unit No.	Shaft Dia.		Dimensions (in. (mm))										Bolt Used (in.)	Bearing No.	Housing No.	Weight (lbs.)	
	d (in.)	d (mm)	H	A	E	B	s_2	s_1	G	W	Bi	N					M
BUCNPP 201-8 202-10	1/2 5/8	12.7 30.2	1 1/16 30.2	4 7/8 124	3 5/8 92	1 7/16 37	3/4 19	7/16 11	1 7/32 13	2 23/64 60	1.0236 26.0	0.3937 10.0	0.6299 16.0	3/8	BUCW 201-8 202-10	NPP 203	1.5
BUCNPP 204-12 204	3/4	20	1 5/16 33.3	5 127	3 3/4 95	1 1/2 38	1 1/16 17	7/16 11	9/16 14	2 19/32 66	1.2205 31.0	0.5000 12.7	0.7205 18.3	3/8	BUC 204-12 204	NPP 204	1.6
BUCNPP 205-14 205 205-16	7/8 1	25	1 7/16 36.5	5 1/2 140	4 1/8 105	1 1/2 38	1 1/16 17	1/2 13	5/8 16	2 27/32 72	1.3386 34.0	0.5630 14.3	0.7756 19.7	3/8	BUC 205-14 205 205-16	NPP 205	2.0
BUCNPP 206-18 206 206-19 206-20	1 1/8 1 1/4 S	30	1 11/16*1 42.9	6 5/16 160	4 3/4 121	1 3/4 44	1 3/16 21	9/16 14	1 1/16 18	3 19/64 84	1.5000 38.1	0.6260 15.9	0.8740 22.2	1/2	BUC 206-18 206 206-19 206-20	NPP 206	3.0
BUCNPP 207-20 207-22 207 207-23	1 1/4 1 3/8 1 7/16	35	1 7/8 47.6	6 17/32 166	5 127	1 29/32 48	7/8 22	9/16 14	3/4 19	3 11/16 94	1.6890 42.9	0.6890 17.5	1.0000 25.4	1/2	BUC 207-20 207-22 207 207-23	NPP 207	4.0
BUCNPP 208-24 208	1 1/2	40	1 15/16*2 49.2	7 7/8 181	5 7/16 137	2 51	7/8 22	9/16 14	1 3/16 21	4 102	1.9370 49.2	0.7480 19.0	1.1890 30.2	1/2	BUC 208-24 208	NPP 208	5.0
BUCNPP 209-26 209-27 209-28 209	1 5/8 1 11/16 1 3/4	45	2 1/8 54.0	7 1/2 190	5 3/4 146	2 1/8 54	1 3/16 21	1 9/32 15	7/8 22	4 17/64 109	1.9370 49.2	0.7480 19.0	1.1890 30.2	1/2	BUC 209-26 209-27 209-28 209	NPP 209	5.7
BUCNPP 210-30 210-31 210 210-32	1 7/8 1 15/16 2 S	50	2 1/4 57.2	8 203	6 1/4 159	2 1/4 57	1 5/16 24	2 3/32 18	1 5/16 24	4 33/64 115	2.0315 51.6	0.7480 19.0	1.2835 32.6	5/8	BUC 210-30 210-31 210 210-32	NPP 210	6.8
BUCNPP 211-32 211 211-35	2 2 3/16	55	2 1/2 63.5	8 5/8 220	6 7/8 174	2 9/8 60	1 5/16 24	2 3/32 18	1 1/16 27	5 1/32 128	2.1890 55.6	0.8740 22.2	1.3150 33.4	5/8	BUC 211-32 211 211-35	NPP 211	8.8
BUCNPP 212-36 212 212-39	2 1/4 2 7/16	60	2 3/4 69.8	9 17/32 242	7 11/32 187	2 1/2 64	1 25.4	2 5/32 20	1 1/16 27	5 33/64 140	2.5630 65.1	1.0000 25.4	1.5630 39.7	5/8	BUC 212-36 212 212-39	NPP 212	11.2
BUCNPP 213-40	2 1/2	3	10 3/4 76.2	8 1/8 206	2 11/16 68	1 3/16 30	1 3/16 20	1 1/8 28	6 1/32 153	2.5630 65.1	1.0000 25.4	1.5630 39.7	7/8	BUC 213-40	NPP 213	14.1	
BUCNPP 215-47 215-48	2 5/16 3	3 1/4	10 13/16 82.6	8 1/2 217	2 15/16 75	1 1/4 31	1 25.4	1 1/8 29	6 33/64 166	3.0630 77.8	1.3110 33.3	1.7520 44.5	7/8	BUC 215-47 215-48	NPP 215	17.0	

*1 Also available 1 5/8"

*2 Also available 2 1/8"

NICKEL PLATED TAPPED BASE PILLOW BLOCKS

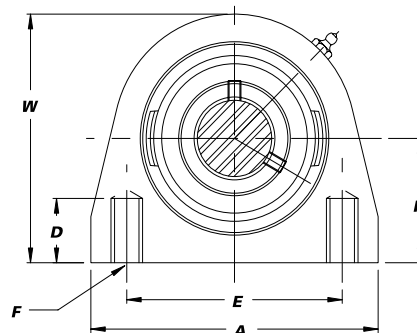
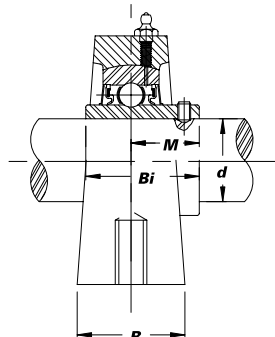


Seal Options



Optional bearing inserts: Stainless Steel-SUCNPPA Hard Chrome Coated-CUCNPPA

- » Available with locking collar bearings
- » Overview of corrosion resistant products – pg. 47-48



Unit No.	Shaft Dia.		Dimensions (in.) (mm)									Bearing No.	Housing No.	Weight (lbs.)
	d (in.)	d (mm)	H	A	E	B	W	F-Tapped Holes	D-Min Tap Depth	M	Bi			

SUCNPPA with Stainless Steel Bearing Inserts

SUCNPPA 201-8	1/2												SUC 201-8		
202-10	5/8	15/16	27/8	2	1 1/2	2 9/16	3/8"-16	1/2	0.7205	1.2205	SUC 202-10				
204-12	3/4	33.3	73	50.8	38	65	UNC	13	18.3	31.0	SUC 204-12	NPPA 204	1.4		
204		20									204				
SUCNPPA 205-14	7/8												SUC 205-14		
205	1	25	36.5	76	50.8	38	2 13/16	3/8"-16	1/2	0.7756	1.3386	SUC 205-14	NPPA 205	1.6	
205-16							71	UNC	13	19.7	34.0	205-16			
SUCNPPA 206-18	1 1/8												SUC 206-18		
206	30	1 11/16	4	3	1 1/2	3 3/8	7/16"-14	5/8	0.8740	1.5000	SUC 206-18	NPPA 206	2.6		
206-19	1 3/16	42.9	102	76.2	38	86	UNC	16	22.2	38.1	SUC 206-19				
206-20	1 1/4 S										206-20				
SUCNPPA 207-20	1 1/4												SUC 207-20		
207-21	1 3/16												SUC 207-21		
207-22	1 3/8	17/8	4 1/4	3 1/4	1 7/8	3 3/4	1/2"-13	3/4	1.0000	1.6890	SUC 207-22	NPPA 207	3.6		
207		47.6	108	82.6	48	95	UNC	19	25.4	42.9	207				
207-23	1 7/16										207-23				
SUCNPPA 208-24	1 1/2												SUC 208-24		
208	40	1 15/16	4 5/8	3 1/2	1 7/8	3 15/16	1/2"-13	3/4	1.1890	1.9370	SUC 208-24	NPPA 208	4.0		
		49.2	117	88.9	48	100	UNC	19	30.2	49.2	208				
SUCNPPA 209-27	1 11/16												SUC 209-27		
209-28	1 3/4	2 1/8	5	3 3/4	2	4 1/4	1/2"-13	3/4	1.1890	1.9370	SUC 209-28	NPPA 209	5.0		
209		54.0	127	95.3	51	108	UNC	19	30.2	49.2	209				
SUCNPPA 210-31	1 15/16												SUC 210-31		
210	50	2 1/4	5 1/2	4	2	4 5/8	5/8"-11	7/8	1.2835	2.0315	SUC 210-31	NPPA 210	5.9		
210-32	2s	57.2	140	101.6	51	117	UNC	22	32.6	51.6	210-32				

CUCNPPA with Hard Chrome Coated Bearing Inserts

CUCNPPA 204-12	3/4												CUC 204-12		
204	20	15/16	27/8	2	1 1/2	2 9/16	3/8"-16	1/2	0.7205	1.2205	CUC 204-12	NPPA 204	1.4		
		33.3	73	50.8	38	65	UNC	13	18.3	31.0	204				
CUCNPPA 205-14	7/8												CUC 205-14		
205	25	17/16	3	2	1 1/2	2 13/16	3/8"-16	1/2	0.7756	1.3386	CUC 205-14	NPPA 205	1.6		
205-16	1	36.5	76	50.8	38	71	UNC	13	19.7	34.0	205-16				
CUCNPPA 206-18	1 1/8												CUC 206-18		
206	30	1 11/16	4	3	1 1/2	3 3/8	7/16"-14	5/8	0.8740	1.5000	CUC 206-18	NPPA 206	2.6		
206-19	1 3/16	42.9	102	76.2	38	86	UNC	16	22.2	38.1	SUC 206-19				
206-20	1 1/4 S										206-20				
CUCNPPA 207-20	1 1/4												CUC 207-20		
207-22	1 3/8	17/8	4 1/4	3 1/4	1 7/8	3 3/4	1/2"-13	3/4	1.0000	1.6890	CUC 207-22	NPPA 207	3.6		
207		47.6	108	82.6	48	95	UNC	19	25.4	42.9	207				
207-23	1 7/16										207-23				
CUCNPPA 208-24	1 1/2												CUC 208-24		
208	40	1 15/16	4 5/8	3 1/2	1 7/8	3 15/16	1/2"-13	3/4	1.1890	1.9370	CUC 208-24	NPPA 208	4.0		
		49.2	117	88.9	48	100	UNC	19	30.2	49.2	208				
CUCNPPA 209-27	1 11/16												CUC 209-27		
209-28	1 3/4	2 1/8	5	3 3/4	2	4 1/4	1/2"-13	3/4	1.1890	1.9370	CUC 209-28	NPPA 209	5.0		
209		54.0	127	95.3	51	108	UNC	19	30.2	49.2	209				
CUCNPPA 210-31	1 15/16												CUC 210-31		
210	50	2 1/4	5 1/2	4	2	4 5/8	5/8"-11	7/8	1.2835	2.0315	CUC 210-31	NPPA 210	5.9		
210-32	2s	57.2	140	101.6	51	117	UNC	22	32.6	51.6	210-32				

NICKEL PLATED TAPPED BASE PILLOW BLOCKS



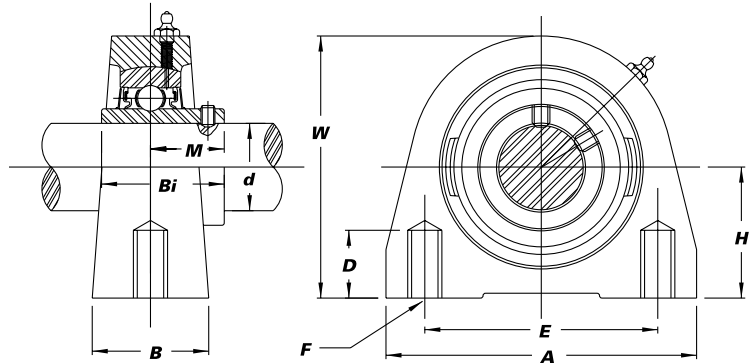
Seal Options



B-type

Black Oxide bearing inserts: BUCNPPA.

» Overview of corrosion resistant products – pg. 47-48



Unit No.	Shaft Dia.		Dimensions (in.) (mm)								Bearing No.	Housing No.	Weight (lbs.)	
	<i>d</i>		<i>H</i>	<i>A</i>	<i>E</i>	<i>B</i>	<i>W</i>	<i>F-Tapped Holes</i>	<i>D-Min Tap Depth</i>	<i>M</i>				<i>Bi</i>
BUCNPPA 201-8	1/2											BUC 201-8		
202-10	5/8	1 5/16	2 7/8	2	1 1/2	2 9/16	3/8"-16	1/2	0.7205	1.2205	BUC 202-10	NPPA 204	1.4	
204-12	3/4	33.3	73	50.8	38	65	UNC	13	18.3	31.0	204-12			
204	20										204			
BUCNPPA 205-14	7/8	1 7/16	3	2	1 1/2	2 13/16	3/8"-16	1/2	0.7756	1.3386	BUC 205-14	NPPA 205	1.6	
205	25	36.5	76	50.8	38	71	UNC	13	19.7	34.0	205			
205-16	1										205-16			
BUCNPPA 206-18	1 1/8	1 11/16	4	3	1 1/2	3 3/8	7/16"-14	5/8	0.8740	1.5000	BUC 206-18	NPPA 206	2.6	
206	30	42.9	102	76.2	38	86	UNC	16	22.2	38.1	206			
206-19	1 3/16										206-19			
206-20	1 1/4 S										206-20			
BUCNPPA 207-20	1 1/4	1 7/8	4 1/4	3 1/4	1 7/8	3 3/4	1/2"-13	3/4	1.0000	1.6890	BUC 207-20	NPPA 207	3.6	
207-22	1 3/8	47.6	108	82.6	48	95	UNC	19	25.4	42.9	207-22			
207	35										207			
207-23	1 7/16										207-23			
BUCNPPA 208-24	1 1/2	1 15/16	4 5/8	3 1/2	1 7/8	3 15/16	1/2"-13	3/4	1.1890	1.9370	BUC 208-24	NPPA 208	4.0	
208	40	49.2	117	88.9	48	100	UNC	19	30.2	49.2	208			
BUCNPPA 209-26	1 5/8	2 1/8	5	3 3/4	2	4 1/4	1/2"-13	3/4	1.1890	1.9370	BUC 209-26	NPPA 209	5.0	
209-27	1 11/16	54.0	127	95.3	51	108	UNC	19	30.2	49.2	209-27			
209-28	1 3/4										209-28			
209	45										209			
BUCNPPA 210-30	1 7/8	2 1/4	5 1/2	4	2	4 5/8	5/8"-11	7/8	1.2835	2.0315	BUC 210-30	NPPA 210	5.9	
210-31	1 15/16	57.2	140	101.6	51	117	UNC	22	32.6	51.6	210-31			
210	50										210			
210-32	2 S										210-32			

NICKEL PLATED 4-BOLT FLANGES



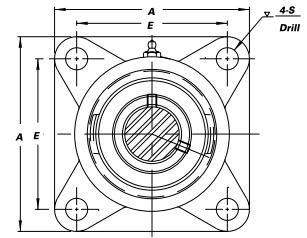
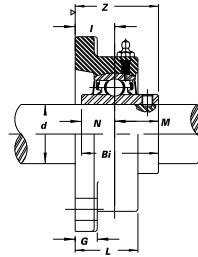
Seal Options



B-type

Optional bearing inserts: Stainless Steel-SUCNPF Hard Chrome Coated-CUCNPF

- » Available with locking collar bearings
- » Overview of corrosion resistant products – pg. 47-48



Unit No.	Shaft Dia.		Dimensions (in.) (mm)										Bolt Used	Bearing No.	Housing No.	Weight (lbs.)		
	d	d	A	E	I	G	L	S	Z	Bi	N	M						
SUCNPF with Stainless Steel Bearing Inserts																		
SUCNPF 201-8	1/2															SUC 201-8		
202-10	5/8		3/8	2 1/2	19/32	7/16	1	7/16	1 5/16	1.2205	0.5000	0.7205	3/8		202-10			
204-12	3/4		86	64	15	11	25.4	11	33.3	31.0	12.7	18.3		204-12	NPF 204	1.4		
204		20												204				
SUCNPF 205-14	7/8														SUC 205-14			
205		25	3/4	2 3/4	5/8	1/2	1 1/16	29/64	1 13/32	1.3386	0.5630	0.7756	3/8	205	NPF 205	1.9		
205-16	1		95	70	16	13	27	11.5	35.7	34.0	14.3	19.7		205-16				
SUCNPF 206-18	1 1/8														SUC 206-18			
206		30	4 1/4	3 1/4	45/64	1/2	1 7/32	33/64	1 19/32	1.5000	0.6260	0.8740	7/16	206	NPF 206	2.4		
206-19	1 3/16		108	83	18	13	31	13	40.2	38.1	15.9	22.2		206-19				
206-20	1 1/4 S													206-20				
SUCNPF 207-20	1 1/4														SUC 207-20			
207-21	1 5/16													207-21				
207-22	1 3/8		4 19/32	3 5/8	3/4	19/32	1 11/32	33/64	1 3/4	1.6890	0.6890	1.0000	7/16	207-22	NPF 207	3.3		
207		35	117	92	19	15	34	13	44.4	42.9	17.5	25.4		207				
207-23	1 7/16													207-23				
SUCNPF 208-24	1 1/2														SUC 208-24			
208		40	5 1/8	4	53/64	19/32	1 13/32	35/64	2 1/32	1.9370	0.7480	1.1890	1/2	208	NPF 208	4.2		
SUCNPF 209-27	1 11/16														SUC 209-27			
209-28	1 3/4		5 13/32	4 1/8	55/64	5/8	1 1/2	5/8	2 1/16	1.9370	0.7480	1.1890	9/16	209-28	NPF 209	5.2		
209		45	137	105	22	16	38	16	52.2	49.2	19.0	30.2		209				
SUCNPF 210-31	1 15/16														SUC 210-31			
210		50	5 5/8	4 3/8	55/64	5/8	1 9/16	5/8	2 5/32	2.0315	0.7480	1.2835	9/16	210	NPF 210	5.6		
210-32	2 S		143	111	22	16	40	16	54.6	51.6	19.0	32.6		210-32				
SUCNPF 211-32	2														SUC 211-32			
211-35	2 3/16		6 3/8	5 1/8	63/64	23/32	1 11/16	43/64	2 5/16	2.1890	0.8740	1.3150	5/8	211-35	NPF 211	7.7		
SUCNPF 212-36	2 1/4														SUC 212-36			
212-39	2 1/16		6 7/8	5 5/8	1 9/64	23/32	1 7/8	43/64	2 23/32	2.5630	1.0000	1.5630	5/8	212-39	NPF 212	9.4		
CUCNPF with Hard Chrome Coated Bearing Inserts																		
CUCNPF 204-12	3/4														CUC 204-12			
204		20	86	64	15	11	25.4	11	33.3	31.0	12.7	18.3	3/8	204	NPF 204	1.4		
CUCNPF 205-14	7/8														CUC 205-14			
205		25	95	70	16	13	27	11.5	35.7	34.0	14.3	19.7	3/8	205	NPF 205	1.9		
205-16	1													205-16				
CUCNPF 206-18	1 1/8														CUC 206-18			
206		30	108	83	18	13	31	13	40.2	38.1	15.9	22.2	7/16	206	NPF 206	2.4		
206-19	1 3/16													206-19				
206-20	1 1/4 S													206-20				
CUCNPF 207-20	1 1/4														CUC 207-20			
207-22	1 3/8		4 19/32	3 5/8	3/4	19/32	1 11/32	33/64	1 3/4	1.6890	0.6890	1.0000	7/16	207-22	NPF 207	3.3		
207		35	117	92	19	15	34	13	44.4	42.9	17.5	25.4		207				
207-23	1 7/16													207-23				
CUCNPF 208-24	1 1/2														CUC 208-24			
208		40	130	102	21	15	36	14	51.2	49.2	19.0	30.2	1/2	208	NPF 208	4.2		
CUCNPF 209-27	1 11/16														CUC 209-27			
209-28	1 3/4		5 13/32	4 1/8	55/64	5/8	1 1/2	5/8	2 1/16	1.9370	0.7480	1.1890	9/16	209-28	NPF 209	5.2		
209		45	137	105	22	16	38	16	52.2	49.2	19.0	30.2		209				
CUCNPF 210-31	1 15/16														CUC 210-31			
210		50	143	111	22	16	40	16	54.6	51.6	19.0	32.6	9/16	210	NPF 210	5.6		
210-32	2 S													210-32				
CUCNPF 211-32	2														CUC 211-32			
211-35	2 3/16		162	130	25	18	43	17	58.4	55.6	22.2	33.4	5/8	211-35	NPF 211	7.7		
CUCNPF 212-36	2 1/4														CUC 212-36			
212-39	2 1/16		175	143	29	18	48	17	68.7	65.1	25.4	39.7	5/8	212-39	NPF 212	9.4		
CUCNPF 213-40	2 1/2														CUC 213-40			
			187	143	30	22	50	17	69.7	65.1	25.4	39.7	5/8		NPF 213	12.9		
CUCNPF 215-47	2 15/16														CUC 215-47			
215-48	3		200	159	34	22	56	19	78.5	77.8	33.3	44.5	1 1/16	215-48	NPF 215	15.0		

NICKEL PLATED 4-BOLT FLANGES

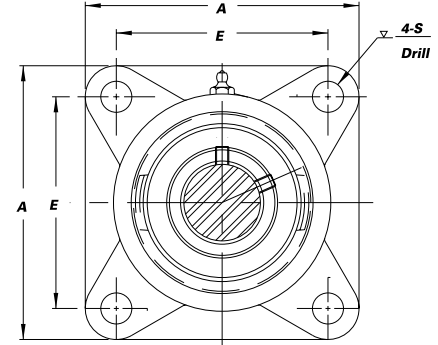
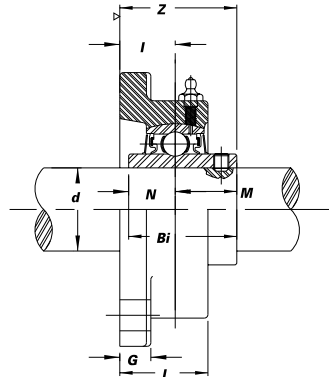


Seal Options



Black Oxide bearing inserts: BUCNPF.

» Overview of corrosion resistant products – pg. 47-48



Unit No.	Shaft Dia.		Dimensions (in. / mm)										Bolt Used (in.)	Bearing No.	Housing No.	Weight (lbs.)
	d (in.)	d (mm)	A	E	I	G	L	S	Z	Bi	N	M				
BUCNPF 201-8 202-10	1/2 5/8	12.7 15.875	3 76	2 1/8 54	2 1/32 16.7	3/8 10	1 9/32 28	7/16 11	1 9/32 32.7	1.0236 26.0	0.3937 10.0	0.6299 16.0	3/8	BUC 201-8 202-10	NPF 203	1.2
BUCNPF 204-12 204	3/4	19.0	3 3/8 86	2 1/2 64	1 9/32 15	7/16 11	1 25.4	7/16 11	1 5/16 33.3	1.2205 31.0	0.5000 12.7	0.7205 18.3	3/8	BUC 204-12 204	NPF 204	1.4
BUCNPF 205-14 205 205-16	7/8 1	22.25 25.4	3 3/4 95	2 3/4 70	5/8 16	1/2 13	1 1/16 27	29/64 11.5	1 13/32 35.7	1.3386 34.0	0.5630 14.3	0.7756 19.7	3/8	BUC 205-14 205 205-16	NPF 205	1.9
BUCNPF 206-18 206 206-19 206-20	1 1/8 1 3/16 1 1/4 S	30 108 31.75	4 1/4 108	3 1/4 83	45/64 18	1/2 13	1 1/32 31	33/64 13	1 19/32 40.2	1.5000 38.1	0.6260 15.9	0.8740 22.2	7/16	BUC 206-18 206 206-19 206-20	NPF 206	2.4
BUCNPF 207-20 207-22 207 207-23	1 1/4 1 3/8	35 117	4 19/32 117	3 5/8 92	3/4 19	1 9/32 15	1 11/32 34	33/64 13	1 3/4 44.4	1.6890 42.9	0.6890 17.5	1.0000 25.4	7/16	BUC 207-20 207-22 207 207-23	NPF 207	3.3
BUCNPF 208-24 208	1 1/2	40	5 1/8 130	4 102	53/64 21	1 9/32 15	1 13/32 36	35/64 14	2 1/32 51.2	1.9370 49.2	0.7480 19.0	1.1890 30.2	1/2	BUC 208-24 208	NPF 208	4.2
BUCNPF 209-26 209-27 209-28 209	1 5/8 1 11/16 1 3/4	45 137	5 13/32 137	4 1/8 105	55/64 22	5/8 16	1 1/2 38	5/8 16	2 1/16 52.2	1.9370 49.2	0.7480 19.0	1.1890 30.2	9/16	BUC 209-26 209-27 209-28 209	NPF 209	5.2
BUCNPF 210-30 210-31 210 210-32	1 7/8 1 15/16 2 S	50 143	5 5/8 143	4 3/8 111	55/64 22	5/8 16	1 9/16 40	5/8 16	2 5/32 54.6	2.0315 51.6	0.7480 19.0	1.2835 32.6	9/16	BUC 210-30 210-31 210 210-32	NPF 210	5.6
BUCNPF 211-32 211 211-35	2 2 3/16	55 162	6 3/8 162	5 1/8 130	63/64 25	23/32 18	1 11/16 43	43/64 17	2 5/16 58.4	2.1890 55.6	0.8740 22.2	1.3150 33.4	5/8	BUC 211-32 211 211-35	NPF 211	7.7
BUCNPF 212-36 212 212-39	2 1/4 2 1/8	60 175	6 7/8 175	5 5/8 143	1 9/64 29	23/32 18	1 7/8 48	43/64 17	2 23/32 68.7	2.5630 65.1	1.0000 25.4	1.5630 39.7	5/8	BUC 212-36 212 212-39	NPF 212	9.4
BUCNPF 213-40	2 1/2	187	7 3/8 187	5 7/8 143	1 3/16 30	7/8 22	1 31/32 50	43/64 17	2 3/4 69.7	2.5630 65.1	1.0000 25.4	1.5630 39.7	5/8	BUC 213-40	NPF 213	12.9
BUCNPF 215-47 215-48	2 5/16 3	200 159	7 7/8 200	6 1/4 159	1 11/32 34	7/8 22	2 7/32 56	3/4 19	3 3/32 78.5	3.0630 77.8	1.3110 33.3	1.7520 44.5	11/16	BUC 215-47 215-48	NPF 215	15.0

NICKEL PLATED 2-BOLT FLANGES

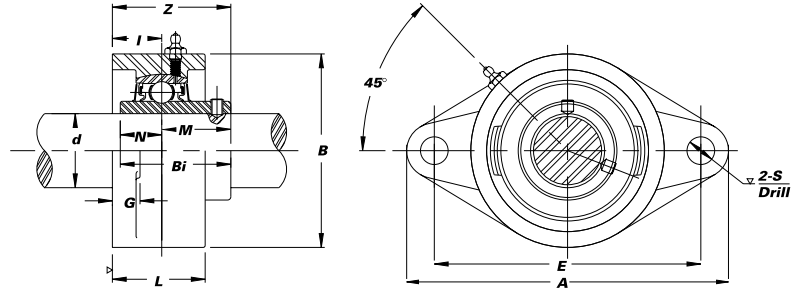


Seal Options



Optional bearing inserts: Stainless Steel-SUCNPFL Hard Chrome Coated-CUCNPFL

- » Available with locking collar bearings
- » Overview of corrosion resistant products – pg. 47-48



Unit No.	Shaft Dia.		Dimensions (in.) (mm)										Bolt Used (in.)	Bearing No.	Housing No.	Weight (lbs.)
	d (in.)	d (mm)	A	E	I	G	L	S	B	Z	Bi	N				

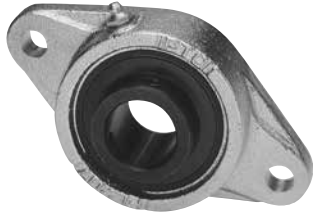
SUCNPFL with Stainless Steel Bearing Inserts

SUCNPFL 201-8 202-10 204-12 204	1/2 5/8 3/4	20	47/16 113	317/32 89.7	19/32 15	7/16 11	1 25	25/64 10	23/8 60	15/16 33.3	1.2205 31.0	0.5000 12.7	0.7205 18.3	5/16	SUC 201-8 202-10 204-12 204	NPFL 204	1.0
SUCNPFL 205-14 205 205-16	7/8 1	25	51/8 130	357/64 98.8	5/8 16	1/2 13	11/16 27	15/32 11.9	211/16 68	115/32 37.3	1.3386 34.0	0.5630 14.3	0.7756 19.7	3/8	SUC 205-14 205 205-16	NPFL 205	1.5
SUCNPFL 206-18 206 206-19 206-20	11/8 13/16 11/4S	30	513/16 148	419/32 116.7	45/64 18	1/2 13	17/32 31	15/32 11.9	35/32 80	119/32 40.5	1.5000 38.1	0.6260 15.9	0.8740 22.2	3/8	SUC 206-18 206 206-19 206-20	NPFL 206	2.2
SUCNPFL 207-20 207-21 207-22 207 207-23	11/4 13/16 13/8 17/16	35	611/32 161	51/8 130.2	3/4 19	9/16 14	111/32 34	33/64 13	317/32 90	13/4 44.5	1.6890 42.9	0.6890 17.5	1.0000 25.4	7/16	SUC 207-20 207-21 207-22 207 207-23	NPFL 207	2.9
SUCNPFL 208-24 208	11/2	40	67/8 175	521/32 143.7	53/64 21	9/16 14	113/32 36	33/64 13	315/16 100	2 50.8	1.9370 49.2	0.7480 19.0	1.1890 30.2	7/16	SUC 208-24 208	NPFL 208	3.5
SUCNPFL 209-27 209-28 209	111/16 13/4	45	713/32 188	527/32 148.4	55/64 22	19/32 15	11/2 38	19/32 15	41/4 108	21/16 52.4	1.9370 49.2	0.7480 19.0	1.1890 30.2	1/2	SUC 209-27 209-28 209	NPFL 209	4.4
SUCNPFL 210-31 210 210-32	115/16 2S	50	73/4 197	63/16 157	55/64 22	19/32 15	19/16 40	19/32 15	417/32 115	25/32 54.8	2.0315 51.6	0.7480 19.0	1.2835 32.6	1/2	SUC 210-31 210 210-32	NPFL 210	5.1
SUCNPFL 211-32 211-35	2 23/16		813/16 224	71/4 184	63/64 25	23/32 18	111/16 43	41/64 16.3	51/8 130	25/16 58.7	2.1890 55.6	0.8740 22.2	1.3150 33.4	9/16	SUC 211-32 211-35	NPFL 211	7.3
SUCNPFL 212-36 212-39	21/4 27/16		927/32 250	715/16 201.6	19/64 29	23/32 18	17/8 48	41/64 16.3	51/2 140	223/32 69.1	2.5630 65.1	1.0000 25.4	1.5630 39.7	9/16	SUC 212-36 212-39	NPFL 212	9.5

CUCNPFL with Hard Chrome Coated Bearing Inserts

CUCNPFL 204-12 204	3/4	20	47/16 113	317/32 89.7	19/32 15	7/16 11	1 25	25/64 10	23/8 60	15/16 33.3	1.2205 31.0	0.5000 12.7	0.7205 18.3	5/16	CUC 204-12 204	NPFL 204	1.0
CUCNPFL 205-14 205 205-16	7/8 1	25	51/8 130	357/64 98.8	5/8 16	1/2 13	11/16 27	15/32 11.9	211/16 68	115/32 37.3	1.3386 34.0	0.5630 14.3	0.7756 19.7	3/8	CUC 205-14 205 205-16	NPFL 205	1.5
CUCNPFL 206-18 206 206-19 206-20	11/8 13/16 11/4S	30	513/16 148	419/32 116.7	45/64 18	1/2 13	17/32 31	15/32 11.9	35/32 80	119/32 40.5	1.5000 38.1	0.6260 15.9	0.8740 22.2	3/8	CUC 206-18 206 206-19 206-20	NPFL 206	2.2
CUCNPFL 207-20 207-22 207 207-23	11/4 13/8 17/16	35	611/32 161	51/8 130.2	3/4 19	9/16 14	111/32 34	33/64 13	317/32 90	13/4 44.5	1.6890 42.9	0.6890 17.5	1.0000 25.4	7/16	CUC 207-20 207-22 207 207-23	NPFL 207	2.9
CUCNPFL 208-24 208	11/2	40	67/8 175	521/32 143.7	53/64 21	9/16 14	113/32 36	33/64 13	315/16 100	2 50.8	1.9370 49.2	0.7480 19.0	1.1890 30.2	7/16	CUC 208-24 208	NPFL 208	3.5
CUCNPFL 209-27 209-28 209	111/16 13/4	45	713/32 188	527/32 148.4	55/64 22	19/32 15	11/2 38	19/32 15	41/4 108	21/16 52.4	1.9370 49.2	0.7480 19.0	1.1890 30.2	1/2	CUC 209-27 209-28 209	NPFL 209	4.4
CUCNPFL 210-31 210 210-32	115/16 2S	50	73/4 197	63/16 157	55/64 22	19/32 15	19/16 40	19/32 15	417/32 115	25/32 54.8	2.0315 51.6	0.7480 19.0	1.2835 32.6	1/2	CUC 210-31 210 210-32	NPFL 210	5.1

NICKEL PLATED 2-BOLT FLANGES

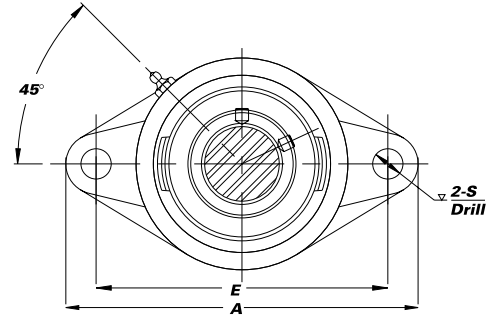
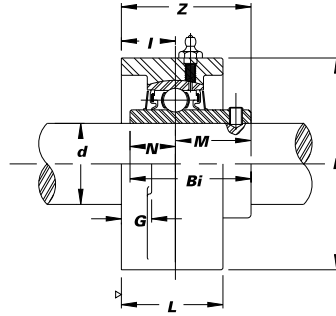


Seal Options



Black Oxide bearing inserts: BUCNPFL.

» Overview of corrosion resistant products – pg. 47-48



Unit No.	Shaft Dia.		Dimensions (in.) (mm)										Bolt Used (in.)	Bearing No.	Housing No.	Weight (lbs.)
	d (in.)	d (mm)	A	E	I	G	L	S	B	Z	Bi	N				
BUCNPFL 201-8 202-10	1/2 5/8	112 76.2	4 ¹³ / ₃₂ 3	43 17	7 11	31 25	25 10	23 60	15 33.3	1.0236 26.0	0.3937 10.0	0.6299 16.0	5/16	BUCW 201-8 202-10	NPFT 203	0.9
BUCNPFL 204-12 204	3/4 20	113 89.7	4 ⁷ / ₁₆ 3 ¹⁷ / ₃₂	31 15	7 11	25 10	25 10	23 60	15 33.3	1.2205 31.0	0.5000 12.7	0.7205 18.3	5/16	BUC 204-12 204	NPFL 204	1.0
BUCNPFL 205-14 205 205-16	7/8 25 1	130 98.8	5 ¹ / ₈ 3 ⁵⁷ / ₆₄	5 16	1 13	1 27	11.9 11.9	21 68	11 37.3	1.3386 34.0	0.5630 14.3	0.7756 19.7	3/8	BUC 205-14 205 205-16	NPFL 205	1.5
BUCNPFL 206-18 206 206-19 206-20	1 1/8 30 1 3/16 1 1/4 S	148 116.7	5 ¹³ / ₁₆ 4 ¹⁹ / ₃₂	45 18	1 13	1 31	11.9 11.9	3 80	11 40.5	1.5000 38.1	0.6260 15.9	0.8740 22.2	3/8	BUC 206-18 206 206-19 206-20	NPFL 206	2.2
BUCNPFL 207-20 207-22 207 207-23	1 1/4 1 3/8 35 1 7/16	161 130.2	6 ¹¹ / ₃₂ 5 1/8	3 19	9 14	1 34	13 13	3 90	13 44.5	1.6890 42.9	0.6890 17.5	1.0000 25.4	7/16	BUC 207-20 207-22 207 207-23	NPFL 207	2.9
BUCNPFL 208-24 208	1 1/2 40	175 143.7	6 5 ²¹ / ₃₂	53 21	9 14	1 36	13 13	3 100	15 50.8	1.9370 49.2	0.7480 19.0	1.1890 30.2	7/16	BUC 208-24 208	NPFL 208	3.5
BUCNPFL 209-26 209-27 209-28 209	1 5/8 1 11/16 1 3/4 45	188 148.4	7 ¹³ / ₃₂ 5 ²⁷ / ₃₂	55 22	19 15	1 38	15 15	4 108	2 52.4	1.9370 49.2	0.7480 19.0	1.1890 30.2	1/2	BUC 209-26 209-27 209-28 209	NPFL 209	4.4
BUCNPFL 210-30 210-31 210 210-32	1 7/8 1 15/16 50 2S	197 157	7 6 ³ / ₁₆	55 22	19 15	1 40	15 15	4 115	2 54.8	2.0315 51.6	0.7480 19.0	1.2835 32.6	1/2	BUC 210-30 210-31 210 210-32	NPFL 210	5.1
BUCNPFL 211-32 211 211-35	2 55 2 3/16	224 184	8 7 1/4	63 25	23 18	1 43	16.3 16.3	5 130	2 58.7	2.1890 55.6	0.8740 22.2	1.3150 33.4	9/16	BUC 211-32 211 211-35	NPFL 211	7.3
BUCNPFL 212-36 212 212-39	2 1/4 60 2 7/16	250 201.6	9 7 ¹⁵ / ₁₆	1 29	23 18	1 48	16.3 16.3	5 140	2 69.1	2.5630 65.1	1.0000 25.4	1.5630 39.7	9/16	BUC 212-36 212 212-39	NPFL 212	9.5

NICKEL PLATED TAKE UP UNITS



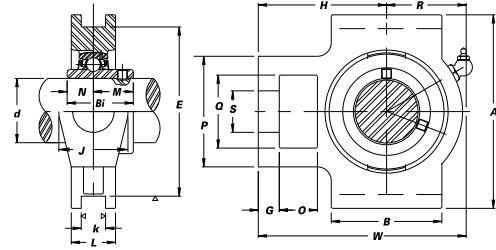
Seal Options



- » Available with locking collar bearings
- » Overview of corrosion resistant products – pg. 47-48

Wide slot with optional bearing inserts:

- Stainless Steel-SUCNPT**
- Hard Chrome Coated-CUCNPT**



Unit No.	Shaft Dia.		Dimensions (in.)																Bearing No.	Housing No.	Weight (lbs.)	
	d	(in.) (mm)	O	G	P	Q	S	B	k	E	A	W	J	L	R	H	Bi	N				M
SUCNPT with Stainless Steel Bearing Inserts																						
SUCNPT 201-8	1/2																			SUC 201-8		
202-10	5/8		5/8	13/32	2	1 1/4	3/4	2	17/32	3	3 1/2	3 11/16	1 1/4	1 3/16	1 5/16	2 13/32	1.2205	0.5000	0.7205			
204-12	3/4	20	16	10	51	32	19	51	13.5	76.2	89	94	32	21	33	61	31.0	12.7	18.3			
SUCNPT 205-14	7/8	25	16	10	51	32	19	51	13.5	76.2	89	97	32	24	35	62	1.3386	0.5630	0.7756	SUC 205-14		
205																				205	NPT 205	1.9
205-16	1																			205-16		
SUCNPT 206-18	1 1/8	30	16	10	56	37	22	57	13.5	88.9	102	113	37	28	43	70	1.5000	0.6260	0.8740	SUC 206-18		
206																				206	NPT 206	2.9
206-19	1 3/16																			206-19		
206-20	1 1/4 S																			206-20		
SUCNPT 207-20	1 1/4	35	16	13	64	37	22	64	13.5	88.9	102	129	37	30	51	78	1.6890	0.6890	1.0000	SUC 207-20		
207-21	1 5/16																			207-21	NPT 207	3.5
207-22	1 3/8																			207-22		
207																				207		
207-23	1 7/16																			207-23		
SUCNPT 208-24	1 1/2	40	19	16	83	49	29	83	17.5	101.6	114	144	49	33	56	88	1.9370	0.7480	1.1890	SUC 208-24		
208																				208	NPT 208	5.5
SUCNPT 209-27	1 11/16	45	19	16	83	49	29	83	17.5	101.6	117	144	49	35	57	87	1.9370	0.7480	1.1890	SUC 209-27		
209-28	1 3/4																			209-28	NPT 209	5.5
209																				209		
SUCNPT 210-31	1 5/16	50	19	16	83	49	29	86	17.5	101.6	117	149	49	37	59	90	2.0315	0.7480	1.2835	SUC 210-31		
210																				210	NPT 210	5.7
210-32	2 S																			210-32		
SUCNPT 211-32	2	25	19	102	64	35	95	27	130.2	146	171	64	38	65	106		2.1890	0.8740	1.3150	SUC 211-32		
211-35	2 1/16																			211-35	NPT 211	8.8
SUCNPT 212-36	2 1/4	32	19	102	64	35	102	27	130.2	146	194	64	42	75	119		2.5630	1.0000	1.5630	SUC 212-36		
212-39	2 1/16																			212-39	NPT 212	10.6
CUCNPT with Hard Chrome Bearing Inserts																						
CUCNPT 204-12	3/4	20	16	10	51	32	19	51	13.5	76.2	89	94	32	21	33	61	1.2205	0.5000	0.7205	CUC 204-12		
204																				204	NPT 204	1.7
CUCNPT 205-14	7/8	25	16	10	51	32	19	51	13.5	76.2	89	97	32	24	35	62	1.3386	0.5630	0.7756	CUC 205-14		
205																				205	NPT 205	1.9
205-16	1																			205-16		
CUCNPT 206-18	1 1/8	30	16	10	56	37	22	57	13.5	88.9	102	113	37	28	43	70	1.5000	0.6260	0.8740	CUC 206-18		
206																				206	NPT 206	2.9
206-19	1 3/16																			206-19		
206-20	1 1/4 S																			206-20		
CUCNPT 207-20	1 1/4	35	16	13	64	37	22	64	13.5	88.9	102	129	37	30	51	78	1.6890	0.6890	1.0000	CUC 207-20		
207-22	1 3/8																			207-22	NPT 207	3.5
207																				207		
207-23	1 7/16																			207-23		
CUCNPT 208-24	1 1/2	40	19	16	83	49	29	83	17.5	101.6	114	144	49	33	56	88	1.9370	0.7480	1.1890	CUC 208-24		
208																				208	NPT 208	5.5
CUCNPT 209-27	1 11/16	45	19	16	83	49	29	83	17.5	101.6	117	144	49	35	57	87	1.9370	0.7480	1.1890	CUC 209-27		
209-28	1 3/4																			209-28	NPT 209	5.5
209																				209		
CUCNPT 210-31	1 5/16	50	19	16	83	49	29	86	17.5	101.6	117	149	49	37	59	90	2.0315	0.7480	1.2835	CUC 210-31		
210																				210	NPT 210	5.7
210-32	2 S																			210-32		
CUCNPT 211-32	2	25	19	102	64	35	95	27	130.2	146	171	64	38	65	106		2.1890	0.8740	1.3150	CUC 211-32		
211-35	2 1/16																			211-35	NPT 211	8.8
CUCNPT 212-36	2 1/4	32	19	102	64	35	102	27	130.2	146	194	64	42	75	119		2.5630	1.0000	1.5630	CUC 212-36		
212-39	2 1/16																			212-39	NPT 212	10.6
CUCNPT 213-40	2 1/2	32	21	111	70	41	121	27	150.8	167	224	70	44	87	137		2.5630	1.0000	1.5630	CUC 213-40		
213-40																				213-40	NPT 213	15.2
CUCNPT 215-47	2 5/16	3	19	102	64	35	102	27	130.2	146	194	64	42	75	119		3.0630	1.3110	1.7520	CUC 215-47		
215-48																				215-48	NPT 215	15.9

NICKEL PLATED TAKE UP UNITS

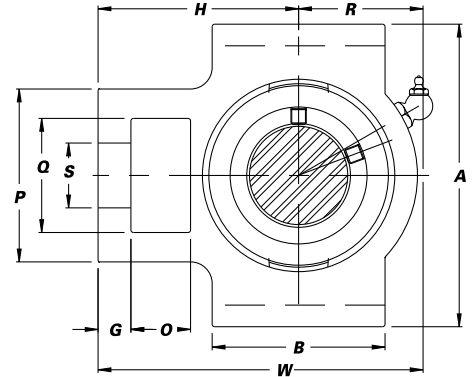
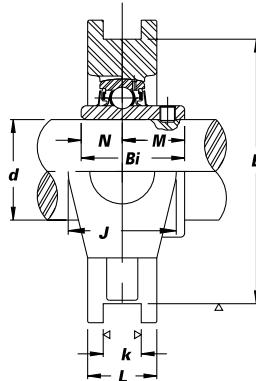


Seal Options



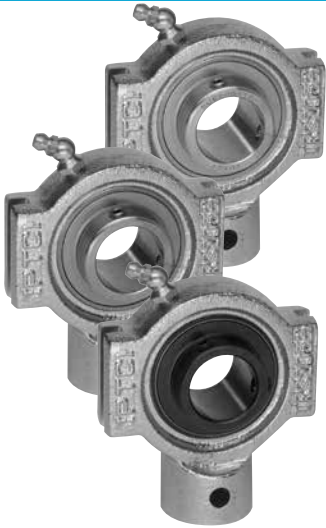
Wide slot with Black Oxide bearing insert: BUCNPT.

» Overview of corrosion resistant products – pg. 47-48



Unit No.	Shaft Dia.		Dimensions (in.) (mm)															Bearing No.	Housing No.	Weight (lbs.)			
	<i>d</i>	<i>d</i>	<i>O</i>	<i>G</i>	<i>P</i>	<i>Q</i>	<i>S</i>	<i>B</i>	<i>k</i>	<i>E</i>	<i>A</i>	<i>W</i>	<i>J</i>	<i>L</i>	<i>R</i>	<i>H</i>	<i>Bi</i>				<i>N</i>	<i>M</i>	
BUCNPT 201-8	1/2																				BUC 201-8		
202-10	5/8	20	5/8	13/32	2	1 1/4	3/4	2	17/32	3	3 1/2	3 11/16	1 1/4	13/16	15/16	2 13/32	1.2205	0.5000	0.7205	BUC 202-10	NPT 204	1.7	
204-12	3/4		16	10	51	32	19	51	13.5	76.2	89	94	32	21	33	61	31.0	12.7	18.3	BUC 204-12	204		
BUCNPT 205-14	7/8	25	5/8	13/32	2	1 1/4	3/4	2	17/32	3	3 1/2	3 13/16	1 1/4	15/16	13/8	2 7/16	1.3386	0.5630	0.7756	BUC 205-14	NPT 205	1.9	
205			16	10	51	32	19	51	13.5	76.2	89	97	32	24	35	62	34.0	14.3	19.7	BUC 205-16	205-16		
BUCNPT 206-18	1 1/8	30	5/8	13/32	2 7/32	1 15/16	55/64	2 1/4	17/32	3 1/2	4 1/32	4 7/16	1 15/32	1 3/32	1 11/16	2 3/4	1.5000	0.6260	0.8740	BUC 206-18	NPT 206	2.9	
206			16	10	56	37	22	57	13.5	88.9	102	113	37	28	43	70	38.1	15.9	22.2	BUC 206-19	206-19		
206-19	1 3/16																			BUC 206-20	206-20		
206-20	1 1/4 S																						
BUCNPT 207-20	1 1/4	35	5/8	1/2	2 17/32	1 15/32	55/64	2 17/32	17/32	3 1/2	4 1/32	5 3/32	1 15/32	1 3/16	2	3 1/16	1.6890	0.6890	1.0000	BUC 207-20	NPT 207	3.5	
207-22	1 3/8		16	13	64	37	22	64	13.5	88.9	102	129	37	30	51	78	42.9	17.5	25.4	BUC 207-22	207		
207																				BUC 207-23	207-23		
207-23	1 7/16																						
BUCNPT 208-24	1 1/2	40	3/4	5/8	3 3/32	1 15/16	1 9/64	3 3/32	1 11/16	4	4 1/2	5 21/32	1 15/16	1 5/16	2 7/32	3 15/32	1.9370	0.7480	1.1890	BUC 208-24	NPT 208	5.5	
208			19	16	83	49	29	83	17.5	101.6	114	144	49	33	56	88	49.2	19.0	30.2	BUC 208-28	208		
BUCNPT 209-26	1 5/8	45	3/4	5/8	3 3/32	1 15/16	1 9/64	3 3/32	1 11/16	4	4 19/32	5 21/32	1 15/16	1 3/8	2 1/4	3 7/16	1.9370	0.7480	1.1890	BUC 209-26	NPT 209	5.5	
209-27	1 11/16		19	16	83	49	29	83	17.5	101.6	117	144	49	35	57	87	49.2	19.0	30.2	BUC 209-27	209-27		
209-28	1 3/4																			BUC 209-28	209-28		
209																				BUC 209	209		
BUCNPT 210-30	1 7/8	50	3/4	5/8	3 3/32	1 15/16	1 9/64	3 3/8	1 11/16	4	4 19/32	5 7/8	1 15/16	1 15/32	2 5/16	3 17/32	2.0315	0.7480	1.2835	BUC 210-30	NPT 210	5.7	
210-31	1 15/16		19	16	83	49	29	86	17.5	101.6	117	149	49	37	59	90	51.6	19.0	32.6	BUC 210-31	210		
210																				BUC 210-32	210-32		
210-32	2 S																						
BUCNPT 211-32	2	55	1	3/4	4 1/32	2 17/32	1 3/8	3 3/4	1 1/16	5 1/8	5 3/4	6 23/32	2 17/32	1 1/2	2 9/16	4 3/16	2.1890	0.8740	1.3150	BUC 211-32	NPT 211	8.8	
211			25	19	102	64	35	95	27	130.2	146	171	64	38	65	106	55.6	22.2	33.4	BUC 211-35	211-35		
211-35	2 3/16																						
BUCNPT 212-36	2 1/4	60	1 1/4	3/4	4 1/32	2 17/32	1 3/8	4 1/32	1 1/16	5 1/8	5 3/4	7 5/8	2 17/32	1 21/32	2 15/16	4 11/16	2.5630	1.0000	1.5630	BUC 212-36	NPT 212	10.6	
212			32	19	102	64	35	102	27	130.2	146	194	64	42	75	119	65.1	25.4	39.7	BUC 212-39	212-39		
212-39	2 7/16																						
BUCNPT 213-40	2 1/2		1 1/4	13/16	4 3/8	2 3/4	1 39/64	4 3/4	1 1/16	5 15/16	6 9/16	8 13/16	2 3/4	1 23/32	3 7/16	5 13/32	2.5630	1.0000	1.5630	BUC 213-40	NPT 213	15.2	
			32	21	111	70	41	121	27	150.8	167	224	70	44	87	137	65.1	25.4	39.7				
BUCNPT 215-47	2 15/16		1 1/4	13/16	4 3/8	2 3/4	1 39/64	4 3/4	1 1/16	5 15/16	6 9/16	9 1/8	2 3/4	1 7/8	3 5/8	5 1/2	3.0630	1.3110	1.7520	BUC 215-47	NPT 215	15.9	
215-48	3		32	21	111	70	41	121	27	150.8	167	232	70	48	92	140	77.8	33.3	44.5	BUC 215-48	215-48		

NICKEL PLATED TAKE UP UNITS

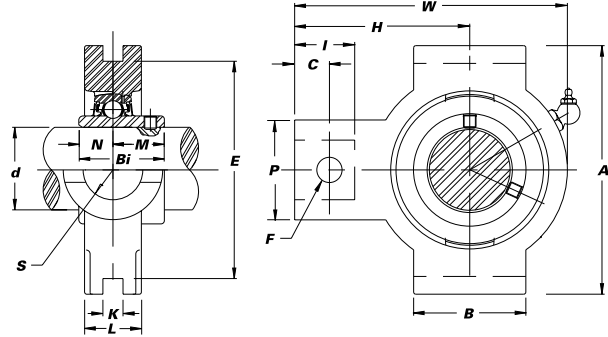


Seal Options



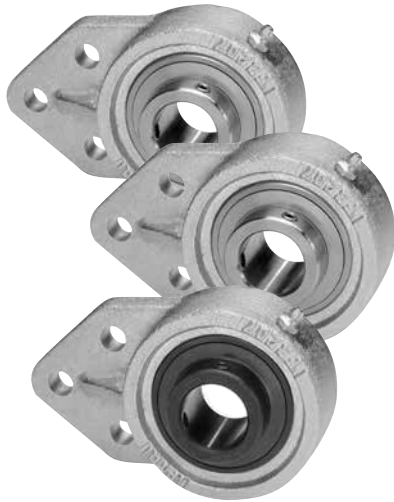
» Overview of corrosion resistant products – pg. 47-48

Narrow Slot with optional bearing inserts: Stainless Steel-SUCNPTRS Hard Chrome Coated-CUCNPTRS Black Oxide-BUCNPTRS



Unit No.	Shaft Dia.		Dimensions (in.) (mm)														Bearing No.	Housing No.	Weight (lbs.)	
	d	d	I	C	P	S	B	k	E	A	W	L	F	H	Bi	N				M
SUCNPTRS with Stainless Steel Bearing Inserts																				
SUCNPTRS 201-8	1/2																	SUC 201-8		
202-10	5/8	20	7/8	7/16	13/8	3/4	1 1/2	1/4	2 5/8	3 1/8	3 1/2	3/4	5/16	2 2/16	1.2205	0.5000	0.7205	202-10	NPTRS	1.7
204-12	3/4		22	11	35	19.1	38	6.4	66.7	79.4	89	19	8	56	31.0	12.7	18.3	204-12	204	
204																		204		
SUCNPTRS 205-14	7/8	25	7/8	7/16	13/8	3/4	1 1/2	1/4	2 5/8	3 1/8	3 9/16	7/8	5/16	2 2/16	1.3386	0.5630	0.7756	SUC 205-14	NPTRS	1.9
205			22	11	35	19.1	38	6.4	66.7	79.4	91	22	8	56	34.0	14.3	19.7	205	205	
205-16	1																	205-16		
SUCNPTRS 206-18	1 1/8	30	15/16	1/2	1 3/8	7/8	2 1/2	5/16	3 1/2	4 1/8	4 5/16	15/16	5/16	2 11/16	1.5000	0.6260	0.8740	SUC 206-18	NPTRS	2.9
206			24	13	35	22.2	64	7.9	88.9	105	110	24	8	68	38.1	15.9	22.2	206	206	
206-19	1 3/16																	206-19	NPTRS	
206-20	1 1/4 S																	206-20	206	
SUCNPTRS 207-20	1 1/4	35	15/16	1/2	1 3/8	7/8	2 1/2	5/16	3 1/2	4 1/8	4 1/2	1	5/16	2 11/16	1.6890	0.6890	1.0000	SUC 207-20	NPTRS	3.5
207-21	1 5/16		24	13	35	22.2	64	7.9	88.9	105	114	25	8	68	42.9	17.5	25.4	207-21	207	
207-22	1 3/8																	207-22	NPTRS	
207																		207	207	
207-23	1 7/16																	207-23		
SUCNPTRS 208-24	1 1/2	40	1 5/32	2 1/32	1 5/8	1 1/8	3	5/16	4	4 3/4	5 3/8	1 3/16	3/8	3 1/4	1.9370	0.7480	1.1890	SUC 208-24	NPTRS	5.5
208			29	17	41	28.6	76	7.9	101.6	121	137	30	9.5	83	49.2	19.0	30.2	208	208	
CUCNPTRS with Hard Chrome Coated Bearing Inserts																				
CUCNPTRS 204-12	3/4	20	7/8	7/16	1 3/8	3/4	1 1/2	1/4	2 5/8	3 1/8	3 1/2	3/4	5/16	2 2/16	1.2205	0.5000	0.7205	CUC 204-12	NPTRS	1.7
204			22	11	35	19.1	38	6.4	66.7	79.4	89	19	8	56	31.0	12.7	18.3	204-8	204	
CUCNPTRS 205-14	7/8	25	7/8	7/16	1 3/8	3/4	1 1/2	1/4	2 5/8	3 1/8	3 9/16	7/8	5/16	2 2/16	1.3386	0.5630	0.7756	CUC 205-14	NPTRS	1.9
205			22	11	35	19.1	38	6.4	66.7	79.4	91	22	8	56	34.0	14.3	19.7	205	205	
205-16	1																	205-16		
CUCNPTRS 206-18	1 1/8	30	15/16	1/2	1 3/8	7/8	2 1/2	5/16	3 1/2	4 1/8	4 5/16	15/16	5/16	2 11/16	1.5000	0.6260	0.8740	CUC 206-18	NPTRS	2.9
206			24	13	35	22.2	64	7.9	88.9	105	110	24	8	68	38.1	15.9	22.2	206	206	
206-19	1 3/16																	206-19	NPTRS	
206-20	1 1/4 S																	206-20	206	
CUCNPTRS 207-20	1 1/4	35	15/16	1/2	1 3/8	7/8	2 1/2	5/16	3 1/2	4 1/8	4 1/2	1	5/16	2 11/16	1.6890	0.6890	1.0000	CUC 207-20	NPTRS	3.5
207-22	1 3/8		24	13	35	22.2	64	7.9	88.9	105	114	25	8	68	42.9	17.5	25.4	207-22	NPTRS	
207																		207	207	
207-23	1 7/16																	207-23		
CUCNPTRS 208-24	1 1/2	40	1 5/32	2 1/32	1 5/8	1 1/8	3	5/16	4	4 3/4	5 3/8	1 3/16	3/8	3 1/4	1.9370	0.7480	1.1890	CUC 208-24	NPTRS	5.5
208			29	17	41	28.6	76	7.9	101.6	121	137	30	9.5	83	49.2	19.0	30.2	208	208	
BUCNPTRS with Black Oxide Bearing Inserts																				
BUCNPTRS 201-8	1/2																	BUC 201-8		
202-10	5/8	20	7/8	7/16	1 3/8	3/4	1 1/2	1/4	2 5/8	3 1/8	3 1/2	3/4	5/16	2 2/16	1.2205	0.5000	0.7205	202-10	NPTRS	1.7
204-12	3/4		22	11	35	19.1	38	6.4	66.7	79.4	89	19	8	56	31.0	12.7	18.3	204-12	204	
204																		204		
BUCNPTRS 205-14	7/8	25	7/8	7/16	1 3/8	3/4	1 1/2	1/4	2 5/8	3 1/8	3 9/16	7/8	5/16	2 2/16	1.3386	0.5630	0.7756	BUC 205-14	NPTRS	1.9
205			22	11	35	19.1	38	6.4	66.7	79.4	91	22	8	56	34.0	14.3	19.7	205	205	
205-16	1																	205-16		
BUCNPTRS 206-18	1 1/8	30	15/16	1/2	1 3/8	7/8	2 1/2	5/16	3 1/2	4 1/8	4 5/16	15/16	5/16	2 11/16	1.5000	0.6260	0.8740	BUC 206-18	NPTRS	2.9
206			24	13	35	22.2	64	7.9	88.9	105	110	24	8	68	38.1	15.9	22.2	206	206	
206-19	1 3/16																	206-19	NPTRS	
206-20	1 1/4 S																	206-20	206	
BUCNPTRS 207-20	1 1/4	35	15/16	1/2	1 3/8	7/8	2 1/2	5/16	3 1/2	4 1/8	4 1/2	1	5/16	2 11/16	1.6890	0.6890	1.0000	BUC 207-20	NPTRS	3.5
207-22	1 3/8		24	13	35	22.2	64	7.9	88.9	105	114	25	8	68	42.9	17.5	25.4	207-22	NPTRS	
207																		207	207	
207-23	1 7/16																	207-23		
BUCNPTRS 208-24	1 1/2	40	1 5/32	2 1/32	1 5/8	1 1/8	3	5/16	4	4 3/4	5 3/8	1 3/16	3/8	3 1/4	1.9370	0.7480	1.1890	BUC 208-24	NPTRS	5.5
208			29	17	41	28.6	76	7.9	101.6	121	137	30	9.5	83	49.2	19.0	30.2	208	208	

NICKEL PLATED FLANGE BRACKETS

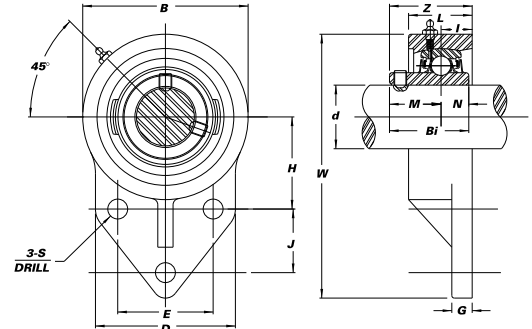


Seal Options



» Overview of corrosion resistant products – pg. 47-48

Optional bearing inserts: Stainless Steel-SUCNPFB Hard Chrome Coated-CUCNPFB Black Oxide-BUCNPFB



Unit No.	Shaft Dia.		Dimensions (in.) (mm)													Bolt Used (in.)	Bearing No.	Housing No.	Weight (lbs.)	
	d (in.)	d (mm)	W	B	D	L	S	G	H	J	E	I	Z	Bi	N					M
SUCNPFB with Stainless Steel Bearing Inserts																				
SUCNPFB 201-8	1/2																	SUC 201-8		
202-10	5/8		4 1/4	2 1/2	2 3/8	1	25/64	5/16	1 11/16	7/8	1 1/2	5/8	1 5/16	1.2205	0.5000	0.7205	5/16	SUC 202-10	NPFB 204	1.5
204-12	3/4		108	64	60	25	9.9	8	43.3	22.2	38.1	16	33.3	31.0	12.7	18.3		SUC 204-12		
204		20																204		
SUCNPFB 205-14	7/8																	SUC 205-14		
205		25	4 3/4	2 3/4	2 1/2	1 1/8	25/64	3/8	1 13/16	1 1/8	1 5/8	43/64	1 13/32	1.3386	0.5630	0.7756	5/16	SUC 205-14	NPFB 205	1.5
205-16	1		121	70	64	29	9.9	9.5	46.0	28.6	41.3	17	35.7	34.0	14.3	19.7		SUC 205-16		
SUCNPFB 206-18	1 1/8																	SUC 206-18		
206		30	5 3/8	3 1/4	2 3/4	1 1/4	25/64	3/8	2 1/16	1 1/4	1 7/8	3/4	1 37/64	1.5000	0.6260	0.8740	5/16	SUC 206-18	NPFB 206	2.0
206-19	1 3/16		137	83	70	32	9.9	9.5	52.4	31.8	47.6	19	40.2	38.1	15.9	22.2		SUC 206-19		
206-20	1 1/4 S																	SUC 206-20		
SUCNPFB 207-20	1 1/4																	SUC 207-20		
207-21	1 5/16		6 1/8	3 3/4	3 1/4	1 7/16	33/64	1/2	2 3/8	1 1/4	2	53/64	1 3/4	1.6890	0.6890	1.0000	7/16	SUC 207-21	NPFB 207	2.9
207-22	1 3/8		156	95	83	37	13.1	13	60.3	31.8	50.8	21	44.4	42.9	17.5	25.4		SUC 207-22		
207		35																SUC 207		
207-23	1 7/16																	SUC 207-23		
SUCNPFB 208-24	1 1/2																	SUC 208-24		
208		40	6 15/32	3 15/16	3 1/16	1 11/32	7/16	5/8	2 23/64	1 39/64	1 31/32	53/64	2 1/64	1.9370	0.7480	1.1890	3/8	SUC 208-24	NPFB 208	4.0
208			164	100	78	34	11.1	16	60	41	50.0	21	51.2	49.2	19.0	30.2		208		
CUCNPFB with Hard Chrome Coated Bearing Inserts																				
CUCNPFB 204-12	3/4																	CUC 204-12		
204		20	4 1/4	2 1/2	2 3/8	1	25/64	5/16	1 11/16	7/8	1 1/2	5/8	1 5/16	1.2205	0.5000	0.7205	5/16	CUC 204-12	NPFB 204	1.5
CUCNPFB 205-14	7/8																	CUC 205-14		
205		25	4 3/4	2 3/4	2 1/2	1 1/8	25/64	3/8	1 13/16	1 1/8	1 5/8	43/64	1 13/32	1.3386	0.5630	0.7756	5/16	CUC 205-14	NPFB 205	1.5
205-16	1		121	70	64	29	9.9	9.5	46.0	28.6	41.3	17	35.7	34.0	14.3	19.7		CUC 205-16		
CUCNPFB 206-18	1 1/8																	CUC 206-18		
206		30	5 3/8	3 1/4	2 3/4	1 1/4	25/64	3/8	2 1/16	1 1/4	1 7/8	3/4	1 37/64	1.5000	0.6260	0.8740	5/16	CUC 206-18	NPFB 206	2.0
206-19	1 3/16		137	83	70	32	9.9	9.5	52.4	31.8	47.6	19	40.2	38.1	15.9	22.2		CUC 206-19		
206-20	1 1/4 S																	CUC 206-20		
CUCNPFB 207-20	1 1/4																	CUC 207-20		
207-22	1 3/8		6 1/8	3 3/4	3 1/4	1 7/16	33/64	1/2	2 3/8	1 1/4	2	53/64	1 3/4	1.6890	0.6890	1.0000	7/16	CUC 207-22	NPFB 207	2.9
207		35	156	95	83	37	13.1	13	60.3	31.8	50.8	21	44.4	42.9	17.5	25.4		CUC 207		
207-23	1 7/16																	CUC 207-23		
CUCNPFB 208-24	1 1/2																	CUC 208-24		
208		40	6 15/32	3 15/16	3 1/16	1 11/32	7/16	5/8	2 23/64	1 39/64	1 31/32	53/64	2 1/64	1.9370	0.7480	1.1890	3/8	CUC 208-24	NPFB 208	4.0
208			164	100	78	34	11.1	16	60	41	50.0	21	51.2	49.2	19.0	30.2		208		
BUCNPFB with Black Oxide Bearing Inserts																				
BUCNPFB 201-8	1/2																	BUC 201-8		
202-10	5/8		4 1/4	2 1/2	2 3/8	1	25/64	5/16	1 11/16	7/8	1 1/2	5/8	1 5/16	1.2205	0.5000	0.7205	5/16	BUC 202-10	NPFB 204	1.5
204-12	3/4		108	64	60	25	9.9	8	43.3	22.2	38.1	16	33.3	31.0	12.7	18.3		BUC 204-12		
204		20																204		
BUCNPFB 205-14	7/8																	BUC 205-14		
205		25	4 3/4	2 3/4	2 1/2	1 1/8	25/64	3/8	1 13/16	1 1/8	1 5/8	43/64	1 13/32	1.3386	0.5630	0.7756	5/16	BUC 205-14	NPFB 205	1.5
205-16	1		121	70	64	29	9.9	9.5	46.0	28.6	41.3	17	35.7	34.0	14.3	19.7		BUC 205-16		
BUCNPFB 206-18	1 1/8																	BUC 206-18		
206		30	5 3/8	3 1/4	2 3/4	1 1/4	25/64	3/8	2 1/16	1 1/4	1 7/8	3/4	1 37/64	1.5000	0.6260	0.8740	5/16	BUC 206-18	NPFB 206	2.0
206-19	1 3/16		137	83	70	32	9.9	9.5	52.4	31.8	47.6	19	40.2	38.1	15.9	22.2		BUC 206-19		
206-20	1 1/4 S																	BUC 206-20		
BUCNPFB 207-20	1 1/4																	BUC 207-20		
207-22	1 3/8		6 1/8	3 3/4	3 1/4	1 7/16	33/64	1/2	2 3/8	1 1/4	2	53/64	1 3/4	1.6890	0.6890	1.0000	7/16	BUC 207-22	NPFB 207	2.9
207		35	156	95	83	37	13.1	13	60.3	31.8	50.8	21	44.4	42.9	17.5	25.4		BUC 207		
207-23	1 7/16																	BUC 207-23		
BUCNPFB 208-24	1 1/2																	BUC 208-24		
208		40	6 15/32	3 15/16	3 1/16	1 11/32	7/16	5/8	2 23/64	1 39/64	1 31/32	53/64	2 1/64	1.9370	0.7480	1.1890	3/8	BUC 208-24	NPFB 208	4.0
208			164	100	78	34	11.1	16	60	41	50.0	21	51.2	49.2	19.0	30.2		208		

NICKEL PLATED HANGER UNITS



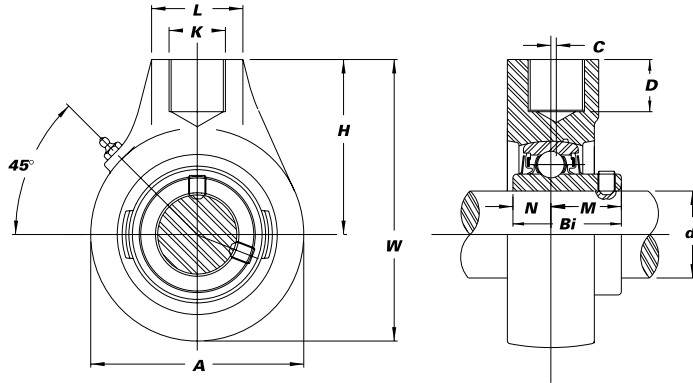
Seal Options



B-type

Optional bearing inserts: Stainless Steel-SUCNPHA Hard Chrome Coated-CUCNPHA

- » Available with locking collar bearings
- » Overview of corrosion resistant products – pg. 47-48



Unit No.	Shaft Dia.		Dimensions (in.) (mm)										Bearing No.	Housing No.	Weight (lbs.)		
	d		A	W	C	H	L	D	K	Bi	N	M					
SUCNPHA with Stainless Steel Bearing Inserts																	
SUCNPHA 201-8	1/2														SUC 201-8		
202-10	5/8	233/64	325/32		233/64	19/16	3/4	PF 3/4	1.2205	0.5000	0.7205			SUC 202-10			
204-12	3/4	64	96	0	64	40	19.1	-14	31.0	12.7	18.3			NPHA 204		1.7	
204	20																
SUCNPHA 205-14	7/8													SUC 205-14			
205	25	31/16	41/16	0	233/64	19/16	3/4	PF 3/4	1.3386	0.5630	0.7756			SUC 205-14			
205-16	1	78	103	0	64	40	19.1	-14	34.0	14.3	19.7			NPHA 205		1.9	
205-16	1																
SUCNPHA 206-18	1 1/8													SUC 206-18			
206	30	35/32	43/32	0	233/64	19/16	3/4	PF 3/4	1.5000	0.6260	0.8740			SUC 206-18			
206-19	1 3/16	80	104	0	64	40	19.1	-14	38.1	15.9	22.2			NPHA 206		1.9	
206-20	1 1/4 S																
SUCNPHA 207-20	1 1/4													SUC 207-20			
207-21	35	35/8	49/16	0	23/4	19/16	3/4	PF 3/4	1.6890	0.6890	1.0000			SUC 207-21			
207-22	1 3/8	92	116	0	70	40	19.1	-14	42.9	17.5	25.4			NPHA 207		2.6	
207																	
207-23	1 7/16																
SUCNPHA 208-24	1 1/2													SUC 208-24			
208	40	315/16	427/32	5/64	21/8	19/16	3/4	PF 3/4	1.9370	0.7480	1.1890			SUC 208-24			
208		100	123	2	73	40	19.1	-14	49.2	19.0	30.2			NPHA 208		3.4	
SUCNPHA 209-27	1 11/16													SUC 209-27			
209-28	45	41/4	511/32	13/64	315/64	17/8	13/16	PF 1	1.9370	0.7480	1.1890			SUC 209-27			
209		108	136	5	82	48	21	-11 1/2	49.2	19.0	30.2			NPHA 209		3.9	
SUCNPHA 210-31	1 15/16													SUC 210-31			
210	50	421/32	519/32	13/64	317/64	17/8	13/16	PF 1	2.0315	0.7480	1.2835			SUC 210-31			
210-32	2 S	118	142	5	83	48	21	-11 1/2	51.6	19.0	32.6			NPHA 210		4.6	
SUCNPHA 212-36	2 1/4													SUC 212-36			
212-39	27/16	513/32	613/16	23/64	41/64	23/8	13/32	PF 1 1/4	2.5630	1.0000	1.5630			SUC 212-36			
212-39		142	173	9	102	60	28	-11 1/2	65.1	25.4	39.7			NPHA 212		8.2	
CUCNPHA with Hard Chrome Coated Bearing Inserts																	
CUCNPHA 204-12	3/4													CUC 204-12			
204	20	233/64	325/32	0	233/64	19/16	3/4	PF 3/4	1.2205	0.5000	0.7205			CUC 204-12			
204		64	96	0	64	40	19.1	-14	31.0	12.7	18.3			NPHA 204		1.7	
CUCNPHA 205-14	7/8													CUC 205-14			
205	25	31/16	41/16	0	233/64	19/16	3/4	PF 3/4	1.3386	0.5630	0.7756			CUC 205-14			
205-16	1	78	103	0	64	40	19.1	-14	34.0	14.3	19.7			NPHA 205		1.9	
CUCNPHA 206-18	1 1/8													CUC 206-18			
206	30	35/32	43/32	0	233/64	19/16	3/4	PF 3/4	1.5000	0.6260	0.8740			CUC 206-18			
206-19	1 3/16	80	104	0	64	40	19.1	-14	38.1	15.9	22.2			NPHA 206		1.9	
206-20	1 1/4 S																
CUCNPHA 207-20	1 1/4													CUC 207-20			
207-22	35	35/8	49/16	0	23/4	19/16	3/4	PF 3/4	1.6890	0.6890	1.0000			CUC 207-22			
207		92	116	0	70	40	19.1	-14	42.9	17.5	25.4			NPHA 207		2.6	
207-23	1 7/16																
CUCNPHA 208-24	1 1/2													CUC 208-24			
208	40	315/16	427/32	5/64	21/8	19/16	3/4	PF 3/4	1.9370	0.7480	1.1890			CUC 208-24			
208		100	123	2	73	40	19.1	-14	49.2	19.0	30.2			NPHA 208		3.4	

NICKEL PLATED HANGER UNITS

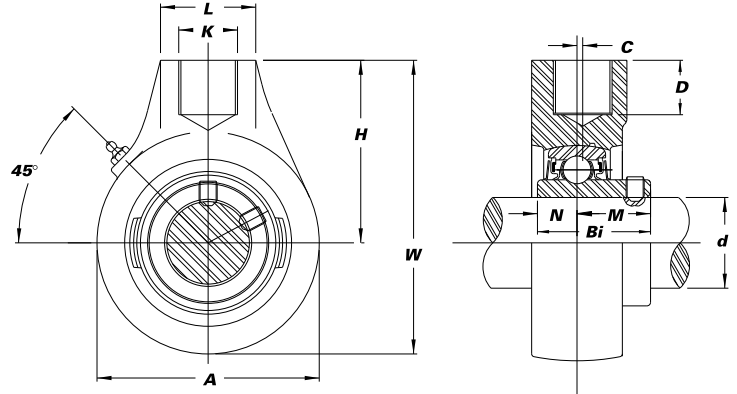


Seal Options



Black Oxide Bearing Inserts: BUCNPHA

» Overview of corrosion resistant products – pg. 47-48



Unit No.	Shaft Dia.		Dimensions (in.) (mm)										Bearing No.	Housing No.	Weight (lbs.)
	d	d	A	W	C	H	L	D	K	Bi	N	M			
BUCNPHA 201-8 202-10 204-12 204	1/2 5/8 3/4 20		2 ³³ / ₆₄ 64	3 ²⁵ / ₃₂ 96	0	2 ³³ / ₆₄ 64	1 ⁹ / ₁₆ 40	3/4 19.1	PF 3/4 -14	1.2205 31.0	0.5000 12.7	0.7205 18.3	BUC 201-8 202-10 204-12 204	NPHA 204	1.7
BUCNPHA 205-14 205 205-16	7/8 1	25	3 ¹ / ₁₆ 78	4 ¹ / ₁₆ 103	0	2 ³³ / ₆₄ 64	1 ⁹ / ₁₆ 40	3/4 19.1	PF 3/4 -14	1.3386 34.0	0.5630 14.3	0.7756 19.7	BUC 205-14 205 205-16	NPHA 205	1.9
BUCNPHA 206-18 206 206-19 206-20	1 1/8 1 3/16 1 7/8 S	30	3 ⁵ / ₃₂ 80	4 ³ / ₃₂ 104	0	2 ³³ / ₆₄ 64	1 ⁹ / ₁₆ 40	3/4 19.1	PF 3/4 -14	1.5000 38.1	0.6260 15.9	0.8740 22.2	BUC 206-18 206 206-19 206-20	NPHA 206	1.9
BUCNPHA 207-20 207-22 207 207-23	1 1/4 1 3/8 1 7/16	35	3 ⁵ / ₈ 92	4 ⁹ / ₁₆ 116	0	2 ³ / ₄ 70	1 ⁹ / ₁₆ 40	3/4 19.1	PF 3/4 -14	1.6890 42.9	0.6890 17.5	1.0000 25.4	BUC 207-20 207-22 207 207-23	NPHA 207	2.6
BUCNPHA 208-24 208	1 1/2	40	3 ¹⁵ / ₁₆ 100	4 ²⁷ / ₃₂ 123	5/64 2	2 ⁷ / ₈ 73	1 ⁹ / ₁₆ 40	3/4 19.1	PF 3/4 -14	1.9370 49.2	0.7480 19.0	1.1890 30.2	BUC 208-24 208	NPHA 208	3.4
BUCNPHA 209-26 209-27 209-28 209	1 5/8 1 11/16 1 3/4 45		4 ¹ / ₄ 108	5 ¹¹ / ₃₂ 136	1 ³ / ₆₄ 5	3 ¹⁵ / ₆₄ 82	1 ⁷ / ₈ 48	1 ³ / ₁₆ 21	PF 1 -11 1/2	1.9370 49.2	0.7480 19.0	1.1890 30.2	BUC 209-26 209-27 209-28 209	NPHA 209	3.9
BUCNPHA 210-30 210-31 210 210-32	1 7/8 1 15/16 2 S	50	4 ²¹ / ₃₂ 118	5 ¹⁹ / ₃₂ 142	1 ³ / ₆₄ 5	3 ¹⁷ / ₆₄ 83	1 ⁷ / ₈ 48	1 ³ / ₁₆ 21	PF 1 -11 1/2	2.0315 51.6	0.7480 19.0	1.2835 32.6	BUC 210-30 210-31 210 210-32	NPHA 210	4.6
UCXNPHA* 211 211-35	2 3/16	55	5 ¹⁹ / ₃₂ 142	6 ¹³ / ₁₆ 173	2 ³ / ₆₄ 9	4 ¹ / ₆₄ 102	2 ³ / ₈ 60	1 ³ / ₃₂ 28	PF 1 1/4 -11 1/2	2.5630 65.1	1.0000 25.4	1.5630 39.7	UCX 11 211-35	NPHA 212	8.5
BUCNPHA 212-36 212 212-39	2 1/4 2 7/16	60	5 ¹⁹ / ₃₂ 142	6 ¹³ / ₁₆ 173	2 ³ / ₆₄ 9	4 ¹ / ₆₄ 102	2 ³ / ₈ 60	1 ³ / ₃₂ 28	PF 1 1/4 -11 1/2	2.5630 65.1	1.0000 25.4	1.5630 39.7	BUC 212-36 212 212-39	NPHA 212	8.2
UCXNPHA* 214-43	2 15/16		6 ¹⁷ / ₃₂ 166	7 ⁷ / ₈ 200	3/8 9.5	4 ³⁹ / ₆₄ 117	2 ³ / ₄ 70	1 1/4 32	PF 1 1/2 -11 1/2	3.0630 77.8	1.3110 33.3	1.7520 44.5	UCX 14-43	NPHA 215	13.2
BUCNPHA 215-47 215-48	2 15/16 3		6 ¹⁷ / ₃₂ 166	7 ⁷ / ₈ 200	3/8 9.5	4 ³⁹ / ₆₄ 117	2 ³ / ₄ 70	1 1/4 32	PF 1 1/2 -11 1/2	3.0630 77.8	1.3110 33.3	1.7520 44.5	BUC 215-47 215-48	NPHA 215	12.2

*Bearing insert is not available in black oxide

NICKEL PLATED PILOTED FLANGES

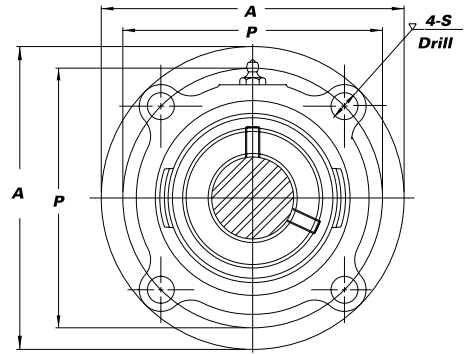
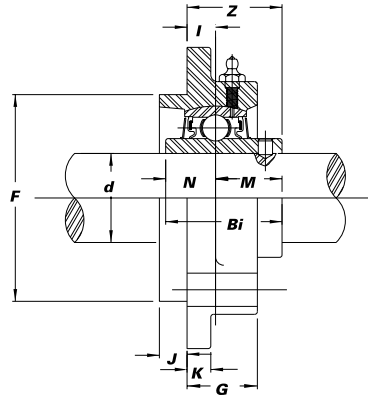


Seal Options



Optional bearing inserts: Stainless Steel-SUCNPFC Hard Chrome Coated-CUCNPFC

» Overview of corrosion resistant products – pg. 47-48



Unit No.	Shaft Dia.		Dimensions (in.) (mm)											Bolt Used	Bearing No.	Housing No.	Weight (lbs.)
	d		A	P	S	J	K	G	F	I	Z	Bi	N				

SUCNPFCs with Stainless Steel Bearing Inserts

SUCNPFC 206-18 206	1 1/8	30	4 3/8	3 5/8	3/8	1 5/64	3/8	1 5/16	3.000	2 5/64	1 3/32	1.5000	0.6260	0.8740	5/16	SUC 206-18 206	NPFC X05	2.6
SUCNPFC 206-19 206-20	1 3/16 1 1/4 S	111	92	9.5	6.0	9.5	24.0	76.2	10	32.2	38.1	15.9	22.2	3/8	206-19 206-20			
SUCNPFC 207-20 207-21 207-22 207	1 1/4 1 3/16 1 3/8	35	5 127	4 1/8 104.8	1 5/32 12.0	3/8 9.5	3/8 9.5	7/8 22.5	3.375 85.7	5/16 8	1 5/16 33.4	1.6890 42.9	0.6890 17.5	1.0000 25.4	3/8	SUC 207-20 207-21 207-22 207	NPFC X06	3.3
SUCNPFC 207-23	1 7/16															207-23		
SUCNPFC 208-24 208	1 1/2	40	5 1/4 133	4 3/8 111	1 5/32 12.0	7/16 11.0	7/16 11.0	1 1/32 26.0	3.625 92.1	2 3/64 9	1 17/32 39.2	1.9370 49.2	0.7480 19.0	1.1890 30.2	3/8	SUC 208-24 208	NPFC X07	4.2
SUCNPFC 209-27 209-28 209	1 11/16 1 3/4	45	5 1/4 133	4 3/8 * 111	1 5/32 12.0	7/16 11.0	7/16 11.0	1 1/32 26.0	3.625 * 92.1	2 3/64 9	1 17/32 39.2	1.9370 49.2	0.7480 19.0	1.1890 30.2	3/8	SUC 209-27 209-28 209	NPFC X08	4.4
SUCNPFC 210-31 210 210-32	1 15/16 2S	50	6 3/32 155	5 1/8 130	3 5/64 14.0	1 5/32 12.0	7/16 11.0	1 25.0	4.250 108.0	5/16 8	1 19/32 40.6	2.0315 51.6	0.7480 19.0	1.2835 32.6	7/16	SUC 210-31 210 210-32	NPFC X09	5.7
SUCNPFC 211-32 211-35	2 2 3/16		6 3/8 162	5 3/8 136.5	3 5/64 14.0	5/8 16.0	7/16 11.0	1 25.0	4.500 114.3	9/32 7	1 19/32 40.4	2.1890 55.6	0.8740 22.2	1.3150 33.4	7/16	SUC 211-32 211-35	NPFC X10	7.0
SUCNPFC 212-39	2 7/16		7 3/32 180	6 152.4	5/8 16.0	5 5/64 22.0	1/2 13.0	1 1/32 26.0	5.000 127.0	5/32 4	1 23/32 43.7	2.5630 65.1	1.0000 25.4	1.5630 39.7	1/2	SUC 212-39	NPFC X11	9.5

CUCNPFCs with Hard Chrome Coated Bearing Inserts

CUCNPFC 206-18 206	1 1/8	30	4 3/8	3 5/8	3/8	1 5/64	3/8	1 5/16	3.000	2 5/64	1 3/32	1.5000	0.6260	0.8740	5/16	CUC 206-18 206	NPFC X05	2.6
CUCNPFC 206-19 206-20	1 3/16 1 1/4 S	111	92	9.5	6.0	9.5	24.0	76.2	10	32.2	38.1	15.9	22.2	3/8	206-19 206-20			
CUCNPFC 207-20 207-22 207	1 1/4 1 3/8	35	5 127	4 1/8 104.8	1 5/32 12.0	3/8 9.5	3/8 9.5	7/8 22.5	3.375 85.7	5/16 8	1 5/16 33.4	1.6890 42.9	0.6890 17.5	1.0000 25.4	3/8	CUC 207-20 207-22 207	NPFC X06	3.3
CUCNPFC 207-23	1 7/16															207-23		
CUCNPFC 208-24 208	1 1/2	40	5 1/4 133	4 3/8 111	1 5/32 12.0	7/16 11.0	7/16 11.0	1 1/32 26.0	3.625 92.1	2 3/64 9	1 17/32 39.2	1.9370 49.2	0.7480 19.0	1.1890 30.2	3/8	CUC 208-24 208	NPFC X07	4.2
CUCNPFC 209-27 209-28 209	1 11/16 1 3/4	45	5 1/4 133	4 3/8 * 111	1 5/32 12.0	7/16 11.0	7/16 11.0	1 1/32 26.0	3.625 * 92.1	2 3/64 9	1 17/32 39.2	1.9370 49.2	0.7480 19.0	1.1890 30.2	3/8	CUC 209-27 209-28 209	NPFC X08	4.4
CUCNPFC 210-31 210 210-32	1 15/16 2S	50	6 3/32 155	5 1/8 130	3 5/64 14.0	1 5/32 12.0	7/16 11.0	1 25.0	4.250 108.0	5/16 8	1 19/32 40.6	2.0315 51.6	0.7480 19.0	1.2835 32.6	7/16	CUC 210-31 210 210-32	NPFC X09	5.7

NICKEL PLATED PILOTED FLANGES

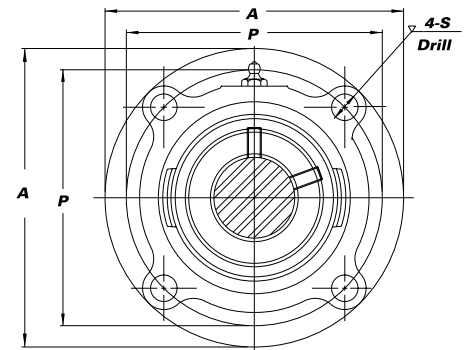
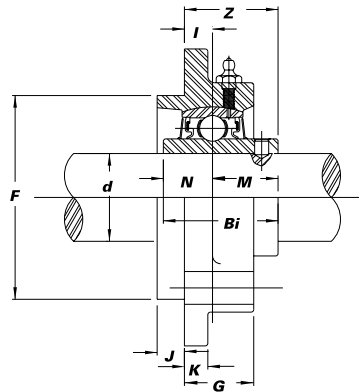


Seal Options



Black Oxide bearing inserts: BUCNPFCS.

» Overview of corrosion resistant products – pg. 47-48



Unit No.	Shaft Dia.		Dimensions (in.) (mm)											Bolt Used	Bearing No.	Housing No.	Weight (lbs.)			
	d		A	P	S	J	K	G	F	I	Z	Bi	N					M	(in.)	
BUCNPFCS 206-18	1 1/8																	BUC 206-18		
206		30	4 3/8	3 5/8	3/8	15/64	3/8	15/16	3.000	25/64	1 9/32	1.5000	0.6260	0.8740			5/16	206	NPFC X05	2.6
206-19	1 3/16		111	92	9.5	6.0	9.5	24.0	76.2	10	32.2	38.1	15.9	22.2				206-19		
206-20	1 1/4 S																	206-20		
BUCNPFCS 207-20	1 1/4																	BUC 207-20		
207-22	1 3/8		5	4 1/8	15/32	3/8	3/8	7/8	3.375	5/16	1 5/16	1.6890	0.6890	1.0000			3/8	207-22	NPFC X06	3.3
207		35	127	104.8	12.0	9.5	9.5	22.5	85.7	8	33.4	42.9	17.5	25.4				207		
207-23	1 7/16																	207-23		
BUCNPFCS 208-24	1 1/2																	BUC 208-24		
208		40	5 1/4	4 3/8	15/32	7/16	7/16	1 1/32	3.625	23/64	1 17/32	1.9370	0.7480	1.1890			3/8	208	NPFC X07	4.2
BUCNPFCS 209-26	1 5/8																	BUC 209-26		
209-27	1 11/16		5 1/4	4 3/8*	15/32	7/16	7/16	1 1/32	3.625*	23/64	1 17/32	1.9370	0.7480	1.1890			3/8	209-27	NPFC X08	4.4
209-28	1 3/4		133	111	12.0	11.0	11.0	26.0	92.1	9	39.2	49.2	19.0	30.2				209-28		
209		45																209		
BUCNPFCS 210-30	1 7/8																	BUC 210-30		
210-31	1 15/16		6 3/32	5 1/8	35/64	15/32	7/16	1	4.250	5/16	1 19/32	2.0315	0.7480	1.2835			7/16	210-31	NPFC X09	5.7
210		50	155	130	14.0	12.0	11.0	25.0	108.0	8	40.6	51.6	19.0	32.6				210		
210-32	2 S																	210-32		
BUCNPFCS 211-32	2																	BUC 211-32		
211		55	6 3/8	5 3/8	35/64	5/8	7/16	1	4.500	9/32	1 19/32	2.1890	0.8740	1.3150			7/16	211	NPFC X10	7.0
211-35	2 3/16		162	136.5	14.0	16.0	11.0	25.0	114.3	7	40.4	55.6	22.2	33.4				211-35		
BUCNPFCS 212-36	2 1/4																	BUC 212-36		
212		60	7 3/32	6	5/8	55/64	1/2	1 1/32	5.000	5/32	1 23/32	2.5630	1.0000	1.5630			1/2	212	NPFC X11	9.5
212-39	2 7/16		180	152.4	16.0	22.0	13.0	26.0	127.0	4	43.7	65.1	25.4	39.7				212-39		
BUCNPFCS 213-40	2 1/2																	BUC 213-40		
40		194	165	165	16.0	20.0	14.0	33.0	139.7	11	50.7	65.1	25.4	39.7			1/2		NPFC X12	11.7

* Also available in FCF(209) style housing where P=5 1/8", F=4.250. See pg. 33 for other details.

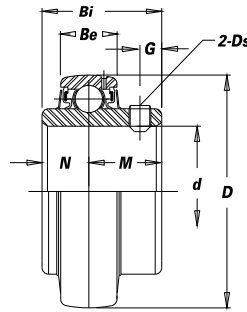
STAINLESS STEEL BEARING INSERTS



Seal Options



*Call for speed tolerances and available sizes



SUC

SUC Set screw lock.

Balls & Rings	440 Stainless Steel
Seal	Silicone Rubber
Seal Frame & Slinger	302 Stainless Steel
Retainer	302 Stainless Steel
Set Screws	410 Stainless Steel
Lubrication	H-1 Food Grade Grease

Bearing No.	Bore Dia. of Bearing		Dimensions (in. (mm))						Basic Load Rating (lbs.)	Basic Static Load Rating (lbs.)	Weight (lbs.)
	<i>d</i>	<i>D</i>	<i>Bi</i>	<i>Be</i>	<i>N</i>	<i>M</i>	<i>G</i>	<i>Ds (In.)</i>			

SUC with Set Screw Lock

SUC 201-8	1/2											0.46
202-10	5/8		1.8504	1.2205	0.6299	0.5000	0.7205	0.1969		2,440	1,220	0.42
204-12	3/4		47.0	31.0	16.0	12.7	18.3	5.0	1/4-28UNF			0.35
204		20										0.35
SUC 205-14	7/8											0.51
205		25	2.0472	1.3386	0.6693	0.5630	0.7756	0.2165	1/4-28UNF	2,670	1,440	0.44
205-16	1		52.0	34.0	17.0	14.3	19.7	5.5				0.44
SUC 206-18	1 1/8											0.75
206		30	2.4409	1.5000	0.7480	0.6260	0.8740	0.2362	1/4-28UNF	3,710	2,020	0.71
206-19	1 3/16		62.0	38.1	19.0	15.9	22.2	6.0				0.71
206-20	1 1/4S											0.71
SUC 207-20	1 1/4											1.19
207-21	1 5/16		2.8346	1.6890	0.7874	0.6890	1.0000	0.2559	5/16-24UNF	4,930	2,780	1.12
207-22	1 3/8		72.0	42.9	20.0	17.5	25.4	6.5				1.06
207		35										1.06
207-23	1 7/16											0.99
SUC 208-24	1 1/2											1.50
208		40	3.1496	1.9370	0.8268	0.7480	1.1890	0.3150	5/16-24UNF	5,660	3,300	1.41
			80.0	49.2	21.0	19.0	30.2	8.0				1.41
SUC 209-27	1 11/16											1.63
209-28	1 3/4		3.3465	1.9370	0.8661	0.7480	1.1890	0.3150	5/16-24UNF	6,230	3,680	1.54
209		45	85.0	49.2	22.0	19.0	30.2	8.0				1.50
SUC 210-31	1 15/16											1.81
210		50	3.5433	2.0315	0.9449	0.7480	1.2835	0.3543	3/8-24UNF	6,590	4,070	1.76
210-32	2S		90.0	51.6	24.0	19.0	32.6	9.0				1.66
SUC 211-32	2											2.78
211		55	3.9370	2.1890	0.9843	0.8740	1.3150	0.3543	3/8-24UNF	7,780	4,890	2.45
211-35	2 3/16		100.0	55.6	25.0	22.2	33.4	9.0				2.40
SUC 212-36	2 1/4											3.68
212		60	4.3307	2.5630	1.0630	1.0000	1.5630	0.4134	3/8-24UNF	8,910	5,870	3.40
212-39	2 1/8		110.0	65.1	27.0	25.4	39.7	10.5				3.20

Bearing No.	Shaft Dia.		Dimensions (in. (mm))						Basic Load Rating (lbs.)	Basic Static Load Rating (lbs.)	Weight (lbs.)
	<i>d</i>	<i>D</i>	<i>Bi</i>	<i>Be</i>	<i>N</i>	<i>M</i>	<i>G</i>	<i>Ds</i>			

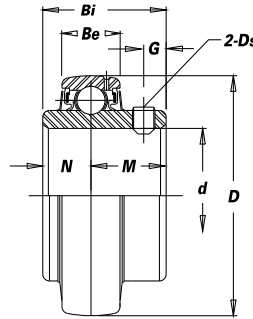
SUC with Set Screw Lock and IP69K Seal

SUC 201-8 IP69K	1/2											0.46
202-10 IP69K	5/8		1.8504	1.2205	0.6299	0.5	0.7205	0.1969	1/4-28UNF	2,440	1,220	0.42
SUC 204-12 IP69K	3/4		1.8504	1.2205	0.6299	0.5	0.7205	0.1969				0.35
204-IP69K		20	47	31	16	12.7	18.3	5	1/4-28UNF	2,440	1,220	0.35
SUC 205 IP69K		25	52	34	17	14.3	19.7	5.5	1/4-28UNF	2,670	1,440	0.44
205-16 IP69K	1		2.0472	1.3386	0.6693	0.563	0.7756	0.2165				0.44
SUC 206-18 IP69K	1 1/8											0.75
206 IP69K		30	2.4409	1.5	0.748	0.626	0.874	0.2362	1/4-28UNF	3,710	2,020	0.71
206-19 IP69K	1 3/16		62	38.1	19	15.9	22.2	6				0.71
206-20 IP69K	1 1/4		2.4409	1.5	0.748	0.626	0.874	0.2362				0.71
SUC 207-20 IP69K	1 1/4											1.19
207 IP69K		35	2.8346	1.689	0.7874	0.689	1	0.2559	5/16-24UNF	4,930	2,780	1.06
207-23 IP69K	1 7/16		72	42.9	20	17.5	25.4	6.5				1.06
207-23 IP69K	1 7/16		2.8346	1.689	0.7874	0.689	1	0.2559				0.99
SUC 208-24 IP69K	1 1/2											1.5
208 IP69K		40	3.1496	1.937	0.8268	0.748	1.189	0.315	5/16-24UNF	5,660	3,300	1.41
			80	49.2	21	19	30.2	8				1.41
SUC 210-31 IP69K	1 15/16											1.81
210 IP69K		50	3.55433	2.0315	0.9449	0.7480	1.2835	0.3543	3/8-24UNF	6,590	4,070	1.76
21032 IP69K	2S		90.0	51.6	24.0	19.0	32.6	9.0				1.66

STAINLESS STEEL BEARING INSERTS



Seal Options



SUCX

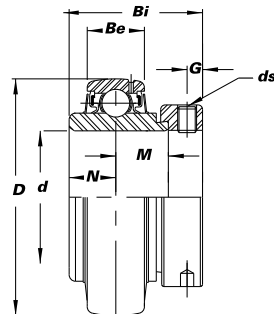
SUCX Set screw lock.

Balls & Rings	440 Stainless Steel
Seal	Silicone Rubber
Seal Frame & Slinger	302 Stainless Steel
Retainer	302 Stainless Steel
Set Screws	410 Stainless Steel
Lubrication	H-1 Food Grade Grease
Housing	304 Stainless Steel

Bearing No.	Bore Dia. of Bearing		Dimensions (in.) (mm)							Basic Load Rating (lbs.)	Basic Static Load Rating (lbs.)	Weight (lbs.)
	d (in.)	d (mm)	D	Bi	Be	N	M	G	Ds (In.)			
SUCX05-16	1"		2.4409	1.5000	0.7480	0.6260	0.8740	0.2362	1/4-28UNF	3,710	2,020	0.8
SUCX06-19	1 3/16"		2.8346	1.6890	0.7874	0.6890	1.0000	0.2559	5/16-24UNF	4,930	2,780	1.3
SUCX07-23	1 7/16"		3.1496	1.9370	0.8268	0.7480	1.1890	0.3150	5/16-24UNF	5,660	3,300	1.6
SUCX08-24	1 1/2"		3.3465	1.9370	0.8661	0.7480	1.1890	0.3150	5/16-24UNF	6,230	3,680	1.9
SUCX09-28	1 3/4"		3.5433	2.0315	0.9449	0.7480	1.2835	0.3543	3/8-24UNF	6,590	4,070	2.1
SUCX10-31	1 15/16"		3.9370	2.1890	0.9843	0.8740	1.3150	0.3543	3/8-24UNF	7,780	4,890	2.9



Seal Options



SNA

SNA Eccentric locking collar.

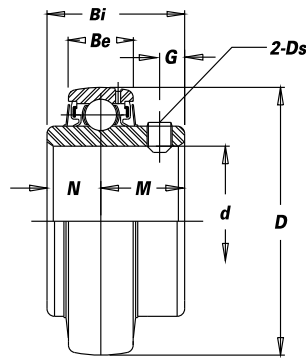
Balls & Rings	440 Stainless Steel
Seal	Silicone Rubber
Seal Frame & Slinger	302 Stainless Steel
Retainer	302 Stainless Steel
Locking Collar	304 Stainless Steel
Lubrication	H-1 Food Grade Grease

Bearing No.	Bore Dia. of Bearing		Dimensions (in.) (mm)							Basic Load Rating (lbs.)	Basic Static Load Rating (lbs.)	Weight (lbs.)
	d (in.)	d (mm)	D	Bi	Be	N	M	G	Ds (In.)			
SNA 204-12 204	3/4	20	1.8504 47.0	1.5433 39.2	0.6299 16.0	0.5000 12.7	0.6693 17.0	0.1890 4.8	1/4-28UNF	2,440	1,220	0.45 0.43
SNA 205-14 205	7/8	25	2.0472 52.0	1.6220 41.2	0.6693 17.0	0.5630 14.3	0.6850 17.4	0.1890 4.8	1/4-28UNF	2,670	1,440	0.58 0.49 0.49
SNA 205-16	1											0.89
SNA 206-18 206	1 1/8	30	2.4409 62.0	1.8110 46.0	0.7480 19.0	0.6260 15.9	0.7165 18.2	0.2362 6.0	5/16-24UNF	3,710	2,020	0.84 0.84 0.76
SNA 206-19 206-20	1 3/16 1 1/4S											
SNA 207-20 207-22 207	1 1/4 1 3/8	35	2.8346 72.0	1.9606 49.8	0.7874 20.0	0.6890 17.5	0.7402 18.8	0.2677 6.8	5/16-24UNF	4,930	2,780	1.44 1.28 1.28 1.22
SNA 207-23	1 7/16											
SNA 208-24 208	1 1/2	40	3.1496 80.0	2.1220 53.9	0.8268 21.0	0.7480 19.0	0.8425 21.4	0.2677 6.8	5/16-24UNF	5,660	3,300	1.75 1.64
SNA 209-28	1 3/4		3.3465 85.0	2.1220 53.9	0.8661 22.0	0.7480 19.0	0.8425 21.4	0.2677 6.8	5/16-24UNF	6,230	3,680	1.83
SNA 210-31 210-32	1 15/16 2S		3.5433 90.0	2.2480 57.1	0.9449 24.0	0.7480 19.0	0.9685 24.6	0.2677 6.8	5/16-24UNF	6,590	4,070	2.19 2.07

HARD CHROME COATED INSERTS



Seal Options



CUC

CUC Set screw lock.

Rings	Hard Chrome Coated
Balls	440 Stainless Steel
Seal	Silicone Rubber
Slinger & Seal Frame	302 Stainless Steel
Retainer	302 Stainless Steel*
Set Screws	410 Stainless Steel
Lubrication	H-1 Food Grade Grease

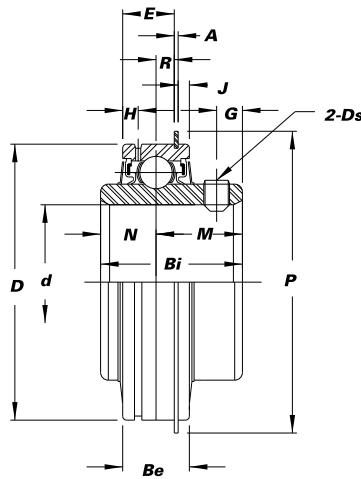
* Chrome coated for sizes 213-215

Bearing No.	Bore Dia. of Bearing		Dimensions (in.) (mm)							Basic Load Rating (lbs.)	Basic Static Load Rating (lbs.)	Weight (lbs.)
	<i>d</i>	<i>d</i>	<i>D</i>	<i>Bi</i>	<i>Be</i>	<i>N</i>	<i>M</i>	<i>G</i>	<i>Ds</i> (in.)			
CUC 204-12 204	3/4	20	1.8504 47.0	1.2205 31.0	0.6299 16.0	0.5000 12.7	0.7205 18.3	0.1969 5.0	1/4-28UNF	2,740	1,600	0.35 0.35
CUC 205-14 205 205-16	7/8 1	25	2.0472 52.0	1.3386 34.0	0.6693 17.0	0.5630 14.3	0.7756 19.7	0.2165 5.5	1/4-28UNF	3,010	1,750	0.51 0.44 0.44
CUC 206-18 206 206-19 206-20	1 1/8 1 3/16 1 1/4S	30	2.4409 62.0	1.5000 38.1	0.7480 19.0	0.6260 15.9	0.8740 22.2	0.2362 6.0	1/4-28UNF	4,200	2,430	0.75 0.71 0.71 0.71
CUC 207-20 207-22 207 207-23	1 1/4 1 3/8 1 7/16	35	2.8346 72.0	1.6890 42.9	0.7874 20.0	0.6890 17.5	1.0000 25.4	0.2559 6.5	5/16-24UNF	5,535	3,340	1.19 1.06 1.06 0.99
CUC 208-24 208	1 1/2	40	3.1496 80.0	1.9370 49.2	0.8268 21.0	0.7480 19.0	1.1890 30.2	0.3150 8.0	5/16-24UNF	6,375	3,960	1.50 1.41
CUC 209-27 209-28 209	1 11/16 1 3/4	45	3.3465 85.0	1.9370 49.2	0.8661 22.0	0.7480 19.0	1.1890 30.2	0.3150 8.0	5/16-24UNF	7,110	4,460	1.63 1.54 1.50
CUC 210-31 210 210-32	1 15/16 2S	50	3.5433 90.0	2.0315 51.6	0.9449 24.0	0.7480 19.0	1.2835 32.6	0.3543 9.0	3/8-24UNF	7,400	4,910	1.81 1.76 1.66
CUC 211-32 211-35	2 2 3/16		3.9370 100.0	2.1890 55.6	0.9843 25.0	0.8740 22.2	1.3150 33.4	0.3543 9.0	3/8-24UNF	9,490	6,440	2.78 2.40
CUC 212-36 212-39	2 1/4 2 7/16		4.3307 110.0	2.5630 65.1	1.0630 27.0	1.0000 25.4	1.5630 39.7	0.4134 10.5	3/8-24UNF	11,500	7,940	3.68 3.20
CUC 213-40	2 1/2		4.7244 120.0	2.5630 65.1	1.1024 28.0	1.0000 25.4	1.5630 39.7	0.4724 12.0	1/2-20UNF	12,400	8,760	4.28
CUC 215-47 215-48	2 15/16 3		5.1181 130.0	3.0630 77.8	1.2598 32.0	1.3110 33.3	1.7520 44.5	0.4724 12.0	1/2-20UNF	14,620	10,540	5.02 4.67

STAINLESS STEEL BEARING INSERTS



Seal Options



SSER Set screw lock with snap ring.

Balls & Rings	440 Stainless Steel
Set Screws	410 Stainless Steel
Slinger & Seal Frame	302 Stainless Steel
Retainer	302 Stainless Steel
Seal	Silicone Rubber
Lubrication	H-1 Food Grade Grease

» Overview of corrosion resistant products – pg. 47-48

Bearing No.	Bore Dia. of Bearing		Dimensions (in.) (mm)												Basic Load Rating (lbs.)	Basic Static Load Rating (lbs.)	Weight (lbs.)	
	<i>d</i>	<i>d</i>	<i>D</i>	<i>Bi</i>	<i>Be</i>	<i>N</i>	<i>M</i>	<i>E</i>	<i>A</i>	<i>H</i>	<i>R</i>	<i>J</i>	<i>P</i>	<i>G</i>				<i>Ds</i> (in.)
SSER 201-8	1/2		1.8504	1.2188	0.6250	0.4063	0.8125	0.4844	0.0469	0.1719	0.1719	0.0938	2.0625	0.1875	1/4-28UNF	2,440	1,220	0.49
202-10	5/8		47.0	31.0	15.9	10.3	20.6	12.30	1.19	4.4	4.37	2.38	52.4	4.8				
204-12	3/4																	
204	20																	
SSER 205-14	7/8		2.0472	1.3750	0.7500	0.5156	0.8594	0.6094	0.0469	0.2031	0.2344	0.0938	2.2656	0.2188	1/4-28UNF	2,670	1,440	0.60
205	25		52.0	34.9	19.1	13.1	21.8	15.48	1.19	5.2	5.95	2.38	57.5	5.6				
205-16	1																	
SSER 206-18	1 1/8		2.4409	1.5000	0.8661	0.6260	0.8740	0.6760	0.6550	0.2165	0.2421	0.1252	2.6575	0.2362	1/4-28UNF	3,710	2,020	0.86
206	30		62.0	38.1	22.0	15.9	22.2	17.17	1.65	5.5	6.15	3.18	67.5	6.0				
206-19	1 3/16																	
206-20	1 1/4S																	
SSER 207-20	1 1/4		2.8346	1.6890	0.9449	0.6890	1.0000	0.7547	0.0650	0.2165	0.2815	0.1252	3.0906	0.2559	5/16-24UNF	4,930	2,780	1.39
207-22	1 3/8		72.0	42.9	24.0	17.5	25.4	19.17	1.65	5.5	7.15	3.18	78.4	6.5				
207	35																	
207-23	1 7/16																	
SSER 208-24	1 1/2		3.1496	1.9370	1.1024	0.7480	1.1890	0.9122	0.0650	0.2362	0.3602	0.1252	3.4016	0.3150	5/16-24UNF	5,660	3,300	1.79
208	40		80.0	49.2	28.0	19.0	30.2	23.17	1.65	6.0	9.15	3.18	86.4	8.0				

STAINLESS STEEL BEARING INSERTS



Seal Options

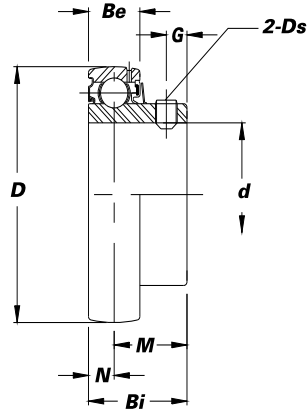


B-type Seal (front)



K-type Seal (back)

Call for available sizes for each seal option.



SSB Set screw lock with narrow inner race relubricatable.

Balls & Rings	440 Stainless Steel
Seal	Silicone Rubber
Slinger & Seal Frame	302 Stainless Steel
Retainer	302 Stainless Steel
Set Screws	304 Stainless Steel
Lubrication	H-1 Food Grade Grease

Bearing No.	Bore Dia. of Bearing		Dimensions (in.) (mm)							Basic Load Rating (lbs.)	Basic Static Load Rating (lbs.)	Weight (lbs.)
	<i>d</i>		<i>Be</i>	<i>D</i>	<i>Bi</i>	<i>N</i>	<i>M</i>	<i>G</i>	<i>Ds</i>			
SSB 201-8 202-10	1/2 5/8		0.4724 12.0	1.5748 40.0	0.8661 22.0	0.2362 6.0	0.6299 16.0	0.1575 4.0	10-32UNF	1,770	830	0.22
SSB 204-12 204	3/4	20	0.5512 14.0	1.8504 47.0	0.9843 25.0	0.2756 7.0	0.7087 18.0	0.1969 5.0	1/4-28UNF	2,440	1,220	0.33
SSB 205-14 205 205-16	7/8 1	25	0.5906 15.0	2.0472 52.0	1.0630 27.0	0.2953 7.5	0.7677 19.5	0.2165 5.5	1/4-28UNF	2,670	1,440	0.40
SSB 206-18 206 206-19 206-20	1 1/8 1 3/16 1 1/4S	30	0.6299 16.0	2.4409 62.0	1.1417 29.0	0.3150 8.0	0.8267 21.0	0.2362 6.0	1/4-28UNF	3,710	2,020	0.60
SSB 207-20 207-22 207 207-23	1 1/4 1 3/8 1 7/16	35	0.6693 17.0	2.8346 72.0	1.2598 32.0	0.3346 8.5	0.9252 23.5	0.2362 6.0	5/16-24UNF	4,930	2,780	0.93

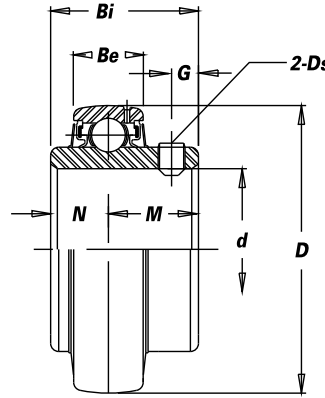
BUC BLACK OXIDE BEARING INSERTS



Seal Options



- » Standard duty with set screw lock
- » Wide inner race



Bearing No.	Bore Dia. of Bearing		Dimensions (in.) (mm)							Basic Load Rating (lbs.)	Basic Static Load Rating (lbs.)	Weight (lbs.)
	d (in.)	d (mm)	D	Bi	Be	N	M	G	Ds (in.)			
BUCW 201-8 202-10	1/2 5/8		1.5748 40.0	1.0236 26.0	0.5906 15.0	0.3937 10.0	0.6299 16.0	0.1575 4.0	10-32UNF	2,040	1,020	0.26 0.24
BUC 201-8 202-10 204-12 204	1/2 5/8 3/4	20	1.8504 47.0	1.2205 31.0	0.6299 16.0	0.5000 12.7	0.7205 18.3	0.1969 5.0	1/4-28UNF	2,740	1,600	0.46 0.42 0.35 0.35
BUC 205-14 205 205-16	7/8 1	25	2.0472 52.0	1.3386 34.0	0.6693 17.0	0.5630 14.3	0.7756 19.7	0.2165 5.5	1/4-28UNF	3,010	1,750	0.51 0.44 0.44
BUC 206-18 206 206-19 206-20	1 1/8 1 3/16 1 1/4S	30	2.4409 62.0	1.5000 38.1	0.7480 19.0	0.6260 15.9	0.8740 22.2	0.2362 6.0	1/4-28UNF	4,200	2,430	0.75 0.71 0.71 0.71
BUC 207-20 207-22 207 207-23	1 1/4 1 3/8 1 7/16	35	2.8346 72.0	1.6890 42.9	0.7874 20.0	0.6890 17.5	1.0000 25.4	0.2559 6.5	5/16-24UNF	5,535	3,340	1.19 1.06 1.06 0.99
BUC 208-24 208	1 1/2	40	3.1496 80.0	1.9370 49.2	0.8268 21.0	0.7480 19.0	1.1890 30.2	0.3150 8.0	5/16-24UNF	6,375	3,960	1.50 1.41
BUC 209-26 209-27 209-28 209	1 5/8 1 11/16 1 3/4	45	3.3465 85.0	1.9370 49.2	0.8661 22.0	0.7480 19.0	1.1890 30.2	0.3150 8.0	5/16-24UNF	7,110	4,460	1.72 1.63 1.54 1.50
BUC 210-30 210-31 210 210-32	1 7/8 1 15/16 2S	50	3.5433 90.0	2.0315 51.6	0.9449 24.0	0.7480 19.0	1.2835 32.6	0.3543 9.0	3/8-24UNF	7,400	4,910	1.92 1.81 1.76 1.66
BUC 211-32 211 211-35	2 2 1/16	55	3.9370 100.0	2.1890 55.6	0.9843 25.0	0.8740 22.2	1.3150 33.4	0.3543 9.0	3/8-24UNF	9,490	6,440	2.78 2.45 2.40
BUC 212-36 212 212-39	2 1/4 2 7/16	60	4.3307 110.0	2.5630 65.1	1.0630 27.0	1.0000 25.4	1.5630 39.7	0.4134 10.5	3/8-24UNF	11,500	7,940	3.68 3.40 3.20
BUC 213-40	2 1/2		4.7244 120.0	2.5630 65.1	1.1024 28.0	1.0000 25.4	1.5630 39.7	0.4724 12.0	1/2-20UNF	12,400	8,760	4.28
BUC 215-47 215-48	2 15/16 3		5.1181 130.0	3.0630 77.8	1.2598 32.0	1.3110 33.3	1.7520 44.5	0.4724 12.0	1/2-20UNF	14,620	10,540	5.02 4.67

Tolerances of spherical inside diameter of housings

Unit = .001 mm
(.0001 in.)

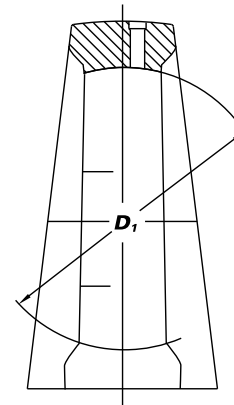
Nominal spherical inside diameter D1				Symbol H				Symbol J				Symbol K			
Over		Incl.		D1 m Deviations		D1 Deviations		D1 m Deviations		D1 Deviations		D1 m Deviations		D1 Deviations	
mm	in.	mm	in.	High	Low	High	Low	High	Low	High	Low	High	Low	High	Low
30	1.1811	50	1.9685	+25 (+10)	0	+30 (+12)	-5 (-2)	+14 (+6)	-11 (-4)	+19 (+7)	-16 (-6)	+7 (+3)	-18 (-7)	+12 (+5)	-23 (-9)
50	1.9685	80	3.1496	+30 (+12)	0	+38 (+14)	-6 (-2)	+18 (+7)	-12 (-5)	+24 (+9)	-18 (-7)	+9 (+4)	-21 (-8)	+15 (+6)	-27 (-11)
80	3.1496	120	4.7244	+35 (+14)	0	+42 (+17)	-7 (-3)	+22 (+9)	-13 (-5)	+29 (+11)	-20 (-8)	+10 (+4)	-25 (-10)	+17 (+7)	-32 (-13)
120	4.7244	180	7.0866	+40 (+16)	0	+48 (+19)	-8 (-3)	+26 (+10)	-14 (-6)	+34 (+13)	-22 (-9)	+12 (+5)	-28 (-11)	+20 (+8)	-36 (-14)
180	7.0866	250	9.8425	+46 (+18)	0	+55 (+22)	-9 (-4)	+30 (+12)	-16 (-6)	+39 (+15)	-25 (-10)	+13 (+5)	-33 (-13)	+22 (+9)	-42 (-17)
250	9.8425	315	12.4016	+52 (+20)	0	+62 (+24)	-10 (-4)	+36 (+14)	-16 (-6)	+46 (+18)	-26 (-10)	+16 (+6)	-36 (-14)	+26 (+10)	-46 (-18)

D1m is determined by the following equation:

$$D1m = \frac{D1max + D1min}{2}$$

Where D1max and D1min are maximum and minimum measurements of D1, respectively.

For practical purposes, bearing/housing fit is often expressed in terms of foot pounds of misalignment torque. IPTCI mounted units are typically machined to provide for a light interference fit. However, for special applications, IPTCI can provide clearance fit (H) or substantial interference fit (K).



Materials of Housings

Gray Iron

Cast in high strength gray iron, IPTCI's standard cast housings are among the most rigidly designed and heaviest available in the industry. This enables IPTCI's housings to withstand high vibration and shock loading.

Ductile Iron

When extra strength is needed for extremely rugged applications, IPTCI's ductile iron is an excellent alternative. Ductile iron is approximately 2.5 times stronger (tensile) than gray iron and also offers the benefit of reduced flex memory. Some IPTCI standard housing styles are available from stock in ductile iron. All can be made upon request.

Stainless Steel & Thermoplastic

See page 48 for complete details.

BEARING SELECTION

Load Capacities & Life Calculations

Simple life/load estimations can be derived from the Radial Load chart shown on page 86. However, if a more specific estimation is desired, the life of a bearing can be calculated by the following formula:

$$L_{10h} = \left(\frac{C}{P}\right)^3 \times \frac{16,667}{n}$$

Where:

L10h = Life hours

C = Basic Load Rating (lbf)

P = Equivalent Radial Load (lbf)

n = Speed (RPM)

See Page 86, or individual bearing pages for Basic Load Ratings.

L10h equals the number of hours that 90% of an identical sample group, operating under identical and ideal conditions, will operate without failure. Since actual field conditions seldom, if ever, match the ideal conditions used in the calculation of L10h, compensation for slip fit (most mounted bearings), dust, vibration, and shock loading must be considered. Since most **IPTCI** products are mounted units, it is helpful then to adjust the L10h number by .46 for slip fit applications and further reduce this number by 50-70% to compensate for other operating conditions.

Example:

Bearing: UCP205-16 – with slip fit on to ground shafting.

Application: Farm equipment experiencing variable shock loading.

L10h = 10,000 hours

Adjustment would be: 10,000 x .46 x .3 = 1,380 hours

Light and or infrequent vibration/shock loading may not require as much adjustment; however, **IPTCI** always recommends very generous safety factors for maximum bearing longevity. Additional adjustment may also be required if the bearing is directly exposed to heavy contaminants. The seal type will then influence the amount of this additional adjustment. It is assumed that the bearing will be operated within the confines of its published temperature limits, and that it will be relubricated properly.

Note: Caution is advised if in the use of the L10 formula, extremely high or low hours are derived.

Thrust

The above calculations assume that there is no consequential thrust load present; therefore, the actual radial load equals the Equivalent Radial Load. It is important to note, however, that thrust, or axial force can dramatically affect the life of a mounted ball bearing. It is also significant to note that, outside of ideal testing conditions, and without field experience, many thrust applications are difficult to realistically quantify. Therefore, as thrust exceeds approximately 25% of the Basic Load Rating, or there exists a combination of thrust and speed, please contact **IPTCI** for technical assistance.

BEARING INSERTS* RADIAL LOAD CHART

Bearing Numbers						Basic Load Rating @ 33 ¹ / ₃ RPM	Radial Load Rating in Pounds at Various RPM Based on 500 Hours Minimum Life										
Normal Duty		Light Duty		Medium Duty	UCX		50	100	200	300	500	900	1200	1500	1800	2400	3600
UC/UCW	NA/NAW	ER	SA	SB	UCX												
UCW 201 201-8	NAW 201 201-8		SA 201 201-8	SB 201 201-8		2040	1780	1415	1120	980	830	680	620	575	540	490	425
UCW 202 202-10	NAW 202 202-10	-	SA 202 202-10	SB 202 202-10													
UCW 203	NAW 203		SA 203	SB 203													
UC 201 201-8	NA 201 201-8	ER 201 201-8				2740	2390	1890	1510	1320	1110	910	835	770	725	655	575
UC 202 202-10	NA 202 202-10	ER 202 202-10															
UC 203	NA 203	ER 203	SA 204-12 204	SB 204-12 204													
UC 204-12 204	NA 204-12 204	ER 204-12 204															
UC 205-14 205-15 205 205-16	NA 205-14 205-15 205 205-16	ER 205-14 205-15 205 205-16	SA 205-14 205-15 205 205-16	SB 205-14 205-15 205 205-16		3010	2625	2085	1650	1450	1210	1000	915	845	800	725	630
UC 206-17 206-18 206 206-19 206-20	NA 206-17 206-18 206 206-19 206-20	ER 206-17 206-18 206 206-19 206-20	SA 206-17 206-18 206 206-19 206-20	SB 206-17 206-18 206 206-19 206-20	UC X05-14 X05-15 X05	4200	3670	2910	2290	2010	1695	1390	1265	1170	1100	990	860
UC 207-20 207-21 207-22 207 207-23	NA 207-20 207-21 207-22 207 207-23	ER 207-20 207-21 207-22 207 207-23	SA 207-20 207-21 207-22 207 207-23	SB 207-20 207-21 207-22 207 207-23	UC X06-18 X06 X06-19 X06-20	5535	4820	3850	3050	2680	2250	1850	1680	1560	1420	1325	1155
UC 208-24 208-25 208	NA 208-24 208-25 208	ER 208-24 208-25 208	SA 208-24 208-25 208	SB 208-24 208-25 208	UC X07-22 X07 X07-23	6375	5560	4410	3490	3040	2550	2100	1895	1755	1655	1505	-
UC 209-26 209-27 209-28 209	NA 209-26 209-27 209-28 209	ER 209-26 209-27 209-28 209	SA 209-26 209-27 209-28 209		UC X08-24 X08	7110	6210	4915	3910	3400	2880	2355	2150	1990	1875	1700	-
UC 210-30 210-31 210 210-32	NA 210-30 210-31 210 210-32	ER 210-30 210-31 210 210-32	SA 210-30 210-31 210 210-32		UC X09-26 X09-27 X09-28 X09	7400	6465	5140	4075	3560	3000	2460	2240	2075	1970	1740	-
UC 211-32 211-34 211 211-35	NA 211-32 211-34 211 211-35	ER 211-32 211-34 211 211-35	SA 211-32 211-34 211 211-35		UC X10-30 X10-31 X10 X10-32	9490	8290	6575	5220	4560	3825	3140	2840	2635	2460	2240	-
UC 212-36 212-38 212-39	NA 212-36 212-38 212-39	ER 212-36 212-38 212-39			UC X11-34 X11 X11-35 X11-36	11,500	10,050	7965	6335	5525	4655	3775	3450	3200	3000	-	-
UC 213-40 213	NA 213-40 213				UC X12 X12-38 X12-39	12,400	10,810	8690	6860	6030	5030	4180	3780	3470	3260	-	-
UC 214-44 214	NA 214-44 214				UC X13-40 X13	13,530	11,820	9450	7480	6480	5520	4540	4110	3820	3510	-	-
UC 215-47 215 215-48	NA 215-47 215 215-48	ER 215-47 215 215-48			UC X14-44 X14	14,620	12,745	10,210	8100	7090	5980	4900	4400	4110	3860	-	-
UC 216					UC X15-47 X15 X15-48	15,970	13,950	11,070	8160	6470	5650	5150	4840	4490	4200	-	-
UC 218-56 218					UC X17 X17-55 X17-56	21,120	18,460	14,650	10,780	8560	7480	6800	6400	5940	-	-	-
					UC X20 X20-63 X20-64	29,300	25,600	20,300	16100	14,100	11,900	9770	8870	-	-	-	-

*52100 Bearing Steel Only

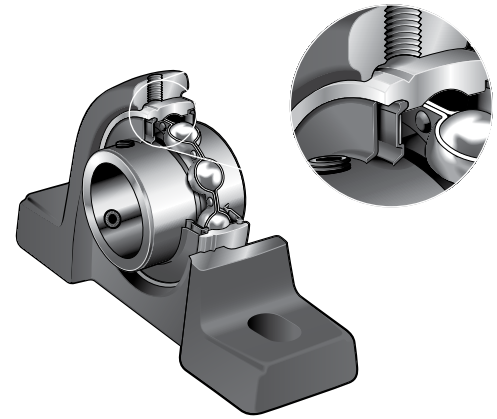
Materials of Bearings

Standard Bearing Inserts

Inner and outer rings, as well as balls, are made from vacuum degassed 52100 bearing steel. Composed of high carbon, chrome alloy, 52100 steel offers great longevity as it is very resistant to deformation and fatigue.

Stainless Steel & Hard Chrome Coated Bearing Inserts

See page 48 for component detail.



Tolerances of Rings

Outer Ring

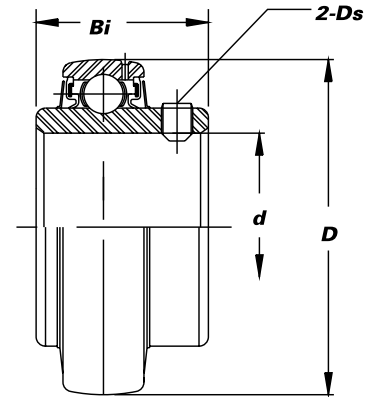
Unit=.0001 in.

Nominal Outside Diameter				Outside Diameter		Radial Run-out (max.)
D						
Over		Including		Tolerance of Diameter		
mm	in.	mm	in.	High	Low	
30	1.1811	50	1.9685	0	- 4	8
50	1.9685	80	3.1496	0	- 5	10
80	3.1496	120	4.7244	0	- 6	14
120	4.7244	150	5.9055	0	- 7	16
150	5.9055	180	7.0866	0	- 10	18
180	7.0866	250	9.8425	0	- 12	20
250	9.8425	315	12.4016	0	- 14	24

Inner Ring

Unit=.0001 in.

Nominal Bore Diameter				Bore Diameter				Inner Ring Width		Radial Run-outs (Max.)
d										
Over		Including		dm	d		Bi			
mm	in.	mm	in.	max.	min.	max.	min.	max.	min.	
10	0.3937	18	0.7087	+ 7	0	+ 9	- 2	0	- 47	6
18	0.7087	30	1.1811	+ 8	0	+ 10	- 2	0	- 47	7
30	1.1811	50	1.9685	+ 10	0	+ 12	- 2	0	- 47	8
50	1.9685	80	3.1496	+ 12	0	+ 14	- 2	0	- 59	10
80	3.1496	120	4.7244	+ 14	0	+ 17	- 3	0	- 79	12
120	4.7244	180	7.0866	+ 16	0	+ 19	- 3	0	- 98	14

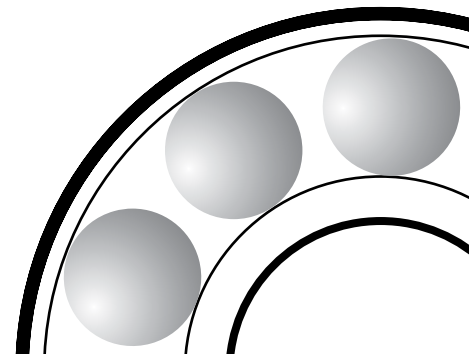


Internal Clearances

The Normal or C₀ fit is generally accepted as an industry standard, and is, therefore, adopted as our standard clearance. However, other fits are available to accommodate extreme temperatures or low tolerance applications where slow r.p.m.s allow for a tighter fit.

Unit=.0001 in.

Bore Diameter				C ₂		Normal		C ₃		C ₄	
Over		Including									
mm	in.	mm	in.	min.	max.	min.	max.	min.	max.	min.	max.
10	0.3937	18	0.7087	0	3	2	6	5	9	8	12
18	0.7087	24	0.9449	0	3.5	3	7	6	10	9	13
24	0.9449	30	1.1811	0	4	3	7	6	10	10	15
30	1.1811	40	1.5748	0	4	3	7	7	12	12	17
40	1.5748	50	1.9685	0	4	3	8	8	13	13	19
50	1.9685	65	2.5591	0	5	4	10	10	16	16	23
65	2.5591	80	3.1496	0	5	5	11	11	19	19	27
80	3.1496	100	3.9370	0	6	6	13	13	22	22	32
100	3.9370	120	4.7244	0	7	7	15	15	25	25	37



INSTALLATION & LUBRICATION

Shaft Tolerances

Shaft Diameter	Shaft Tolerance
1/2" - 1 15/16"	Nominal to - .0005"
2" - 3 3/16"	Nominal to - .0010"
3 1/4" - Up	Nominal to - .0015"

For maximum life, **IPTCI** recommends a fit as close to nominal as possible. Turned and ground shafting is also beneficial as it tends to be rounder, straighter and free of burrs or other flaws.

Mounting Instructions

When mounting, always clean shafting and bearing bore. Then, having coated the shaft with a light oil, slide the bearing unit on the shaft to its correct position. It may be necessary to use a soft mallet and/or pipe, on the inner ring only, to reach the correct position. Never pound on, or apply pressure to, the outside ring! Once the bearing unit is in position, precise alignment can be achieved by first fixing the housing in place, then simultaneously rotating and tapping the shaft with a soft mallet. This should be accomplished before any locking collar or set screw is tightened.

When mounting a locking collar bearing, use a spanner wrench or punch to lock the collar in place — always in the direction of shaft rotation. Then tighten set screw. Do not use locking collar bearings for bi-directional applications.

When mounting set screw locking bearings we recommend the following torque settings:

Mild steel set screws - for standard bearing inserts

Set Screw Size	Max. Recommended Torque (in./lbs.)
10-32	28
1/4 - 28	66
5/16 - 24	126
3/8 - 24	228
7/16 - 20	306
1/2 - 20	330

410 series stainless set screws - for SUC & CUC bearing Inserts

Set Screw Size	Max. Recommended Torque (in./lbs.)
1/4 - 28	54
5/16 - 24	110
3/8 - 24	205

Lubrication

All **IPTCI** bearing units are factory prelubricated and, therefore, do not require supplemental grease before service life begins. Relubrication, when administered correctly, can increase the life of a bearing substantially. **IPTCI** recommends the following general guidelines to maximize your bearing life:

RPM	Temperature	Environmental Condition	Interval
100	32° F -120° F	Clean	6-12 months
500	32° F -150° F	Clean	2-6 months
1,000	32° F - 210° F	Clean	2 weeks to 2 months
1,500	Over 210° F	Clean	Daily to weekly
Any	32°F -150° F	Dirty	Weekly to monthly
Any	Over 150° F	Dirty	Daily to 2 weeks
Any	Any Temp.	Very Dirty	Daily to weekly
Any	Any Temp.	Extremely Dirty	Daily to weekly

NOTE:

Overlubrication is a major cause of bearing failures. Please relubricate conservatively when unsure of bearing requirements.

When selecting a bearing lubricant, **IPTCI** suggests any lithium-based NLGI #2 grease. For operating temperatures higher than 210° F, please consult **IPTCI**.

BEARING UNIT INTERCHANGE

Description	IPTCI	AMI/Asahi	Browning	Dodge	FYH	Timken	Hub City	Link Belt	MB/McGill	Peer	Sealmaster
Pillow Blocks	UCP205-16	UCP205-16	VPS-216	P2B-SC-100	UCP205-16	YAS 1	–	P3-U216N	C-25-1	UCP205-16	NP-16
	NAP205-16	UGP205-16	VPE-216	P2B-SXR-100	NAP205-16	RAS 1	–	P3-Y216N	–	HCP205-16	RP-16E
	UCPL205-16	UCLP205-16	VPLS-216	P2B-SCB-100	SL(UCSL)205-16	YAK 1	–	PL3-U216N	CL-25-1	UCLP205-16	NPL-16
	NAPL205-16	UGLP205-16	VPLE-216	P2B-SXRB-100	NAPK205-16	RAK 1	–	PL3-Y216N	–	HCLP205-16	RPL-16E
	SBP205-16G	BP205-16	VPS-116	–	VBP205-16	SAS 1	PB251-1	–	–	FHSP205-16G	VP-16
	SBPL205-16G	BLP205-16	VPLS-116	–	VBSL205-16	SAK 1	PB250-1	–	–	FHSLP205-16G	VPL-16
	SAP205-16G	KHP205-16	VPE-116	P2B-SXV-100	VAP205-16	VAS 1	PB221-1	P3-W216U	–	FHP205-16G	VP-16E
	SAPL205-16G	KHLP205-16	VPLE-116	P2B-SXVB-100	VASL205-16	VAK 1	PB220-1	PL3-W216U	–	FHLP205-16G	VPL-16E
	UCPX05-16	UCPX05-16	VPS-316	P2B-SCM-100	UCPX05-16	–	–	–	C-35-1	UCPX05-16	MP-16
SBLP205-16G	BLLP5-16	–	–	BLP205-16	–	PB100/150-1	–	–	FHSPWC205-16	–	
SALP205-16G	KHLLP205-16	–	–	ALP205-16	–	–	–	–	FHPWC205-16	–	
Tapped Base Pillow Blocks	UCPA205-16	UCTB205-16	VTBS-216	TB-SC-100	UCPAN205-16	YTB 1	–	PT3-U216N	TBC-25-1	UCPA205-16	TB-16
	NAPA205-16	UGTB205-16	VTBE-216	TB-SXR-100	NAPAN205-16	RTB 1	–	PT3-Y216N	–	HCPA205-16	RPB-16
	SBPA205-16G	BTB205-16	VTBS-116	–	VBPAN205-16	STB 1	TB250-1	–	–	FHSPA205-16G	–
	SAPA205-16G	KHTB205-16	VTBE-116	TB-SXV-100	VAPAN205-16	VTB 1	–	–	–	FHPA205-16G	–
4-bolt Flanges	UCF205-16	UCF205-16	VF4S-216	F4B-SC-100	UCF205-16	YCJ 1	–	F3-U216N	FC4-25-1	UCF205-16	SF-16
	NANF205-16	UGSLF205-16	VF4E-216	F4B-SXR-100	NANF205-16	RCJ 1	–	F3-Y216N	–	HCFS205-16	RF-16E
	SBF205-16	BF205-16	VF4S-116	–	VBF205-16	SCJ 1	FB250-1	–	–	FHSF205-16G	VF-16
	SAF205-16G	KHF205-16	VF4E-116	F4B-SXV-100	VAF205-16	VCJ 1	FB220-1	F3-W216U	–	FHF205-16G	VF-16E
	UCFX05-16	UCFX05-16	VF4S-316	F4B-SCM-100	UCFX05-16	–	–	–	FC4-35-1	UCFX05-16	MSF-16
3-bolt Flanges	SBRFB205-16G	BTM205-16	VF3S-116	LF-SC-100	–	GSFD 1	FB150-1	–	–	FHSF3X205-16G	LF-16
	SARFB205-16G	KHTM205-16	VF3E-116	LF-SXV-100	–	GVFD 1	–	F-WG216U	–	FHF3X205-16G	LF-16E
2-bolt Flanges	UCFL205-16	UCFT205-16	VF2S-216	F2B-SC-100	UCFL205-16	YCJT 1	–	FX3-U216N	FC2-25-1	UCFT205-16	SFT-16
	NANFL205-16	UGFJT205-16	VF2E-216	F2B-SXR-100	NANFL205-16	RCJT 1	–	FX3-Y216N	–	HCFTS205-16	RFT-16E
	SBFL205-16G	BFT205-16	VF2S-116	–	VBFL205-16	SCJT 1	FB260-1	–	–	FHSFT205-16G	VFT-16
	SAFL205-16G	KHFT205-16	VF2E-116	F2B-SXV-100	VAF205-16	VCJT 1	FB230-1	FX3-W216U	–	FHFT205-16G	VFT-16E
	UCFLX205-16	UCFLX05-16	VF2S-316	F2B-SCM-100	–	–	–	–	FC2-35-1	–	MSFT-16
	SBLF205-16G	BLFL5-16	–	–	BLF205-16	–	–	–	–	FHSLF205-16G	–
	SALF205-16G	KHLFL205-16	–	–	ALF205-16	–	–	–	–	FHLFL205-16G	–
	SBLF205-16GH4	BFX205-16	VF2S-116M	LFT-SC-100	–	GSFTD 1	FB110/160-1	–	–	FHSFX205-16G	LFT-16
SALF205-16GH4	KHFX205-16	VF2E-116M	–	–	GVFTD 1	–	FX-WG216U	–	FHF3X205-16G	LFT-16E	
Piloted Flanges	UCFCF205-16	UCFCF205-16	–	–	UCFCF205-16	RFC 1	–	FC3-U216N	–	–	–
	UCFCS205-16	UCFCS205-16	VFCS-216	FC-SC-100	–	–	–	–	PFC4-25-1 1/4	–	SFC-16
	UCFC205-16	UCFC205-16	–	–	UCFC205-16	–	–	–	–	UCFC205-16	–
	UCFCX05-16	UCFCX05-16	VFCS-316	FC-SCM-100	UCFCX05-16	–	FC350-1	–	PFC4-35-1 3/16	–	MFC-16
Flange Brkts	UCFB205-16	UCFB205-16	–	FB-SC-100	UCFB205-16	–	–	FB3-U216N	MFB-1	UCFB205-16	FB-16
Take-up Units	UCT205-16	UCST205-16	VTWS-216	WSTU-SC-100	UCT205-16	YTU 1	WSTU250-1	TH3-U200N	TC-25-1	UCT205-16	ST-16
	UCTRS205-16	–	–	NSTU-SC-100	–	–	–	–	–	–	–
	NAT205-16	UGST205-16	VTWE-216	WSTU-SXR-100	NAT205-16	RTU 1	WSTU220-1	–	–	HCT205-16	RT-16E
	UCTX05-16	UCTX05-16	VTWS-316	WSTU-SCM-100	UCTX05-16	–	–	–	TC-35-1	–	MST-16
Hanger Units	UCHA205-16	UCECH205-16	–	SCHB-SC-100 *zerk	UCHA205-16	RHC 1	–	–	MEHB-1	UCHA205-16	SEHB-16
Insert Bearings <small>(Caution: Some mfrs. locate grease access holes and or anti-rotation devices at different positions.)</small>	UC/UCW205-16	UC205-16	VS-216	INS-SC-100	UC205-16	GY1100KRRB	YW250-1	UG216NL	MB-25-1	UC205-16	2-1
	UC205-16L3	–	–	–	UC205-16L3	GY1100KPPB3	–	UG216E3	–	UC205-16TRL	–
	NA/NAW205-16	UG205-16	VE-216	INS-SXR-100	NA205-16	G1100KRRB	YW220-1	YG216NL	–	HC205-16	R-16E
	NA205-16L3	–	–	–	NA205-16L3	G1100KPPB3	–	YG216E3	–	HC205-16TRL	–
	UCX05-16	UCX05-16	VS-316	INS-SCM-100	UCX05-16	GYM100KRRB	B350-1	–	MB-35-1	UCX05-16	3-1
	ER205-16	SER205-16	VER-216	–	ER205-16	ER-16	–	–	ER-16	SER-16	ER-16
	SB205-16N	B5-16	LS-116	–	SB205-16KG5	YA100RRB	B250-1	S216EL	–	FHS205-16	L-16
	SB205-16G	B5-16	VS-116	INS-VSC-100	SB205-16KP8	GYA100RRB	B250-1	SG216EL	–	FHS205-16	V-16
	CSB205-16N	BR5-16	SLS-116	–	SBB205-16	YA100RR	–	–	–	FHSR205-16	SL-16
	SA205-16N	KH205-16	LE-116	–	SA205-16FP7	RA100RRB	B220-1	W216UL	–	FH205-16	L-16E
	SA205-16G	KH205-16	VE-116	INS-SXV-100	SA205-16FP9	GRA100RRB	B220-1	WG216UL	–	FH205-16	V-16E
	CSA205-16N	KHR205-16	SLE-116	–	SAA205-16	RA100RR	–	WB216UL	–	FHR205-16	SL-16E

(All Shown in 1" size)

IPTCI
B E A R I N G S TM

A SOLVE IMG. Brand



IPTCI[™]

B E A R I N G S

A SOLVE IMG. Brand

800-328-8153 • IPTCIsales@SolveIndustrial.com

For more information on Solve and its other brands, visit solveindustrial.com

©2023 IPTCI. All Rights Reserved.

