

TRITAN

PRECISION BEARINGS AND POWER TRANSMISSION COMPONENTS



Your Link to Quality

Foreword

The most up to date global research data, as well as the latest International Standards Organization (ISO) documents, were consulted in preparation of this improved edition of the TRITAN Bearings and Power Transmission Components Catalog.

The catalog includes the full range of the company's standard manufacturing program. Because of the wide range of products illustrated in the catalog, the great majority of the needs of TRITAN customers can be accommodated. TRITAN bearings are manufactured in accordance with the ISO 9001 quality standards, with basic dynamic and static load ratings meeting ISO standards.

TRITAN is a world class manufacturer with more than 25 years experience in production of rolling

bearings. Over the years, we have continually increased the quality of our bearings so that today, our products are recognized as being highly ranked in technical proficiency. We use the latest technologies to increase the life expectancy and performance of our bearings, which are made of high accuracy bearing steel with careful adherence to lubrication requirements.

All data included in this catalog is based on current production. We reserve the right to make any changes that may be necessitated by future technological advances.

We strive for maximum customer satisfaction and we assure you that we will do everything possible to meet the needs of our customers.



Table of Contents

Section 1

1. Engineering

Selection of Bearing Type	9
Selection of Bearing Size.....	11
Bearing Tolerances.....	23
Bearing Lubrication.....	29
Bearing Designations.....	37
Mounting and Dismounting.....	39

2. TRITAN Bearing Production

Deep Groove Ball Bearings.....	45
Angular Contact Ball Bearings	78
Self-Aligning Ball Bearings	82
Thrust Ball Bearings.....	83
Spherical Roller Bearings	92
Cylindrical Roller Bearings	99
Needle Roller Bearings.....	101
Cam Followers/Yoke Rollers.....	109
Tapered Roller Bearing.....	115
Mounted Units.....	119
Insert Bearings.....	166

Washdown Units & Inserts.....	177
Rubber Mounted Cartridge Units.....	193
Farm Implement & Disc Harrow Bearings.....	196
Special Purpose Bearings.....	199
Split Housings for Spherical Roller (SAF).....	200
Bearings Accessories.....	202
Spherical Plain Bearings.....	209
Rod Ends.....	225

Section 2

1. TRITAN Precision Power Transmission Components

Precision Chain Technology.....	236
ANSI Precision Roller Chain.....	240
Corrosion Resistant Roller Chain (Stainless Steel, Nickel plated, Dacromet coated).....	244
ISO (BS) Precision Roller Chain.....	245
Precision Conveyor Chain.....	246
Leaf Chain.....	248
Sprockets.....	250
Idlers.....	304
Sheaves.....	313
Bushings.....	324
Shaft Collars.....	330
Jaw Couplings.....	336

Bearing designations beginning with numbers

Prefix	Series Description	Page #
12, 22	Self Aligning Ball Bearing	82
16	Deep Groove Ball Bearing - Inch	68
20..F, 20..K, 20..N	Agricultural Ball Bearing	199
212, 213, 222, 223, 230, 231, 232, 240	Spherical Roller Bearing	91
2900	Thrust Ball Bearing	90
30, 52, 53	Double Row Angular Contact Ball Bearing	80
302, 303, 313, 320..X, 322, 323	Metric Tapered Roller Bearing	115
3900	Thrust Ball Bearing	90
60, 62, 63, 69	Miniature Ball Bearing - Metric	72
60, 62, 63, 64	Deep Groove Ball Bearing	52
617, 618, 619	Deep Groove Ball Bearing - Narrow Series	52
72B, 73B, 72BMG, 73BMG	Angular Contact Ball Bearing	78
900	Thrust Ball Bearing	89

Bearing designations beginning with letters

Prefix	Series Description	Page #
A52	Cylindrical Roller Bearing - Removable Inner Ring	99
AN	Locknut - Inch	205
B	Ball Thrust Bearing - Flat Raceways	86
B, BH	Needle Bearing - Drawn Cup - Full Complement	101
CCF	Cam Follower - Crowned OD	110
CCYR	Yoke Roller - Crowned OD	114
CF	Cam Follower	109
CF, CF..S, CF..T, CFL..T	Rod End - Inch - Commercial - Female	229
CFE	Cam Follower - Eccentric Stud	112
CFH	Cam Follower Heavy	111
CM, CM..T, CM..S, CML..T	Rod End - Inch - Commercial - Male	228
COM	Spherical Plain Bearing - Inch - Commercial Series	213
CSA	Insert Bearing - Light Duty - Cylindrical OD - Eccentric Locking Collar	175
CSB	Insert Bearing - Light Duty - - Cylindrical OD - Set Screw	174
CYR	Yoke Roller	113
D	Ball Thrust Bearing - Banded - Single Direction	87
ER, ET..T	Insert Bearing - Standard Duty - Wide Inner Ring - Cylindrical OD - Snap Ring	176
EW	Ball Thrust Bearing - Inch - 3 Piece - Flat Raceways	84
FR	Deep Groove Ball Bearing - Inch - Flanged	66, 71
GAC	Spherical Plain Thrust Bearing - Angular Contact - Metric	220
GAZ	Spherical Plain Thrust Bearing - Angular Contact - Inch	219
C, GEH..C	Spherical Plain Bearing - Metric	214
GE..TA	Spherical Plain Bearing - Metric - High Capacity	216

Prefix	Series Description	Page #
GEH..ES	Spherical Plain Bearing - Metric - Heavy Series	215
GEM	Spherical Plain Bearing - Metric - Extended Inner Ring	218
GEZ..ES	Spherical Plain Bearing - Inch	211
GEZM..ES	Spherical Plain Bearing - Inch - Extended Inner Ring	212
GT	Ball Thrust Bearing - Inch - 3 Piece - Grooved Raceways - Single Direction	88
GW2	Agricultural Ball Bearing - Relubricable	197
GX..F	Spherical Plain Thrust Bearing - Metric - High Capacity	221
H2, H3	Adapter - Complete with Washer & Locknut	202
HC	Insert Bearing - Standard Duty - Wide Inner Ring - Eccentric Locking Collar	170
HCFLU	2 Bolt Flange - Wide Inner Ring Insert - Eccentric Locking Collar	156
HCFU	4 Bolt Flange - Wide Inner Ring Insert - Eccentric Locking Collar	142
HCP, HCP..R3	Pillow Block - Wide Inner Ring Insert - Eccentric Locking Collar	132
HCPK, HCPK..R3	Pillow Block - Low Base - Wide Inner Ring Insert - Eccentric Locking Collar	134
HF, HF..G, HFL, HFL..G	Rod End - Inch - Precision - Female	227
HM, HM..G, HML, HML..G	Rod End - Inch - Precision - Male	226
J, JH	Needle Bearing - Drawn Cup - Caged	102
JT, JTT	Needle Bearing - Drawn Cup - Caged-Sealed	102
KM	Locknut - Metric	206
L, R	Miniature Ball Bearing - Metric	72
LRSCM	AC Unit - Rubber Cartridge Unit - Cylindrical OD - Eccentric Locking Collar	193
MB	Lockwasher - Metric	208
MI	Needle Bearing - Inner Race - Inch	107
MR	Needle Bearing - Caged - Inch (Without Inner Ring)	106
N	Locknut - Inch	205
NTA	Needle Bearing - Thrust - Roller Assembly	104
R	Deep Groove Ball Bearing - Inch	66
RABR	AC Unit - Rubber Insulated Insert - Spherical OD - Eccentric Locking Collar	194
RPB	AC Unit - Pressed Steel Pillow Block - Rubber Insulated Insert	195
RC, RCB	Needle Bearing - Drawn Cup Roller Clutch	108
RCSM, RCSM..S	AC Unit - Rubber Cartridge Unit	193
SA, SA..G	Insert Bearing - Light Duty - Eccentric Locking Collar	173
SA..E, SA..ES, SAL, SAL..ES	Rod End - Precision - Metric - Male	232

Prefix	Series Description	Page #
SAA..ES, SALA..ES	Rod End - Precision - Metric - Male	232
SAF	4 Bolt Flange - Light Duty Insert - Eccentric Locking Collar	145
SAF225	Split Housed Unit complete with Bearing, Adapter, Stab Ring & LER	201
SAF5	Split Housing - Plummer Block	200
SAFL	2 Bolt Flange Unit - Light Duty Insert - Eccentric Locking Collar	158
SALF	2 Bolt Flange Unit - Light Duty Insert - Eccentric Locking Collar	160
SAP	Pillow Block - Light Duty Insert - Eccentric Locking Collar	136
SAPF	3 Bolt Round Pressed Steel Flange Unit - Light Duty Insert - Eccentric Locking Collar	150
SAPFL	2 Bolt Pressed Steel Flange Unit - Light Duty Insert - Eccentric Locking Collar	162
SAPFT	3 Bolt Triangle Pressed Steel Flange Unit - Light Duty Insert - Eccentric Locking Collar	151
SAPP	Pillow Block - Pressed Steel - Light Duty Insert - Eccentric Locking Collar	137
SB, SB..G	Insert Bearing - Light Duty - Set Screw	172
SB222	Spherical Roller Bearing - Single Row - Sealed	98
SBF	4 Bolt Flange - Light Duty Insert - Set Screw	144
SBFL	2 Bolt Flange Unit - Light Duty Insert - Set Screw	157
SBLF	2 Bolt Flange Unit - Light Duty Insert - Set Screw	159
SBLFPL	2 Bolt Thermoplastic Flange - Stainless Steel Light Duty Insert - Set Screw	188
SBLFSS	2 Bolt Stainless Steel Flange - Stainless Steel Light Duty Insert - Set Screw	182
SBP	Pillow Block - Light Duty Insert - Set Screw	135
SBPF	3 Bolt Round Pressed Steel Flange Unit - Light Duty Insert - Set Screw	150
SBPFL	2 Bolt Pressed Steel Flange Unit - Light Duty Insert - Set Screw	161
SBPFT	3 Bolt Triangle Pressed Steel Flange Unit - Light Duty Insert - Set Screw	151
SBPP	Pillow Block - Pressed Steel - Light Duty Insert - Eccentric Locking Collar	137
SI..E, SI..ES, SIL..E, SIL..ES	Rod End - Precision - Metric - Female	233
SIA..ES, SILA..ES	Rod End - Precision - Metric - Female	233
SS16	Deep Groove Ball Bearing - Inch - Stainless Steel	69
SS618, SS619, SS60, SS62, SS63	Deep Groove Ball Bearing - Stainless Steel	64
SSER	Insert Bearing - Stainless Steel - Cylindrical OD - Set Screw - Snap Ring	191
SSFR	Deep Groove Ball Bearing - Inch - Flanged - Stainless Steel	70
SSHHC	Insert Bearing - Stainless Steel - Wide Inner Ring - Eccentric Locking Collar	190
SSL	Miniature Ball Bearing - Metric - Stainless Steel	72
SSLF	Miniature Ball Bearing - Metric - Stainless Steel - Flanged	72
SSR	Deep Groove Ball Bearing - Inch - Stainless Steel	70
SSRI	Miniature Ball Bearing - Inch - Stainless Steel	70
SSSB	Insert Bearing - Stainless Steel - Light Duty - Set Screw - Relubricable	192
SSUC	Insert Bearing - Stainless Steel - Wide Inner Ring - Set Screw	189
T6, T7	Cylindrical Thrust Roller Bearing	100

Prefix	Series Description	Page #
TRA, TRB, TRC, TRD	Needle Bearing - Thrust Washer	104
UC, UC..R3	Insert Bearing - Wide Inner Ring - Set Screw	166
UC..T	Insert Bearing - Wide Inner Ring - Premere-LOC Concentric Squeeze Collar	169
UCF	4 Bolt Flange - Wide Inner Ring Insert - Set Screw	138
UCF..T	4 Bolt Flange - Wide Inner Ring Insert - Premere-LOC Concentric Squeeze Collar	141
UCFB	3 Bolt Flange Bracket Unit - Wide Inner Ring Insert - Set Screw	148
UCFBPL	3 Bolt Thermoplastic Flange Bracket Unit - Stainless Steel - Set Screw	187
UCFBSS	3 Bolt Flange Bracket Unit - Stainless Steel - Set Screw	181
UCFC	4 Bolt Circle Flange - Wide Inner Ring Insert - Set Screw	146
UCFCSX	4 Bolt Circle Flange - Medium Duty - Wide Inner Ring Insert - Set Screw	147
UCFL	2 Bolt Flange - Wide Inner Ring Insert - Set Screw	152
UCFL..T	2 Bolt Flange - Wide Inner Ring Insert - Premere-LOC Concentric Squeeze Collar	155
UCFLPL	2 Bolt Thermoplastic Flange - Stainless Steel Wide Inner Ring Insert - Set Screw	186
UCFLSS	2 Bolt Stainless Steel Flange - Stainless Steel Wide Inner Ring Insert - Set Screw	180
UCFLX	2 Bolt Flange - Medium Duty - Wide Inner Ring Insert - Set Screw	154
UCFPL	4 Bolt Thermoplastic Flange - Stainless Steel Wide Inner Ring Insert - Set Screw	185
UCFSS	4 Bolt Stainless Steel Flange - Stainless Steel Wide Inner Ring Insert - Set Screw	179
UCFX	4 Bolt Flange - Medium Duty - Wide Inner Ring Insert - Set Screw	140
UCP, UCP..R3	Pillow Block - Wide Inner Ring Insert - Set Screw	126
UCP..T	Pillow Block - Wide Inner Ring Insert - Premere-LOC Concentric Squeeze Collar	130
UCPA	Tapped Base Pillow Block - Domestic Dimensions - Wide Inner Ring Insert - Set Screw	131
UCPAPL	Tapped Base Thermoplastic Pillow Block - Stainless Steel Wide Inner Ring Insert - Set Screw	184
UCPASS	Tapped Base Thermoplastic Pillow Block - Stainless Steel Wide Inner Ring Insert - Set Screw	178
UCPK	Pillow Block - Low Base - Wide Inner Ring Insert - Set Screw	129
UCPPL	Pillow Block Thermoplastic - Stainless Steel Wide Inner Ring Insert - Set Screw	183
UCPSS	Pillow Block - Stainless Steel Wide Inner Ring Insert - Set Screw	177
UCPX	Pillow Block - Medium Duty - Wide Inner Ring Insert - Set Screw	128
UCST	Take Up Unit - Wide Slot - Wide Inner Ring Insert - Set Screw	163
UCT	Take Up Unit - Wide Inner Ring Insert - Set Screw	165
UCX	Insert Bearing - Medium Duty - Wide Inner Ring - Set Screw	168
W	Lockwasher - Inch	207
W	Ball Thrust Bearing - Inch - 3 Piece - Grooved Raceways	83
W2..PP	Agricultural Ball Bearing - Triple Lip Sealed	76
W2, W3..PP	Deep Groove Ball Bearing - Cartridge Type - Domestic Width - 2 Rubber Seals	76
W52	Double Row Angular Contact Ball Bearing - Wide	80
XW	Ball Thrust Bearing - Inch - 3 Piece - Grooved Raceways	85

Power Transmission designations beginning with numbers

Prefix	Series Description	Page #
04B, 05B, 06B, 08B	Precision ISO (BS) Roller Chain	245
06A, 06B, 06BS, 08A, 08B, 08BS	Sprocket - ISO (BS)	305
10A, 10B, 10BS, 12A, 12B, 12BS, 16A, 16B, 16BS	Sprocket - ISO (BS)	307
1VP, 2VP	Variable Pitch Sheave	322
20A, 20B, 20BS, 24B, 24BS	Sprocket - ISO (BS)	310
25-1, 25-2	Precision ANSI Roller Chain	238
25A, 25B, 25BS	Sprocket - ANSI	252
2AK, 2BK	Two Groove Cast Iron Sheave for "4L" or "A" Belts and "5L" or "B" Belts	315
35-1, 35-2	Precision ANSI Roller Chain	238
35A, 35B, 35BS, 35JA, 35SH	Sprocket - ANSI	254
35BB, 40BB	Sprocket - Idler	304
40-1, 40-2, 40-3	Precision ANSI Roller Chain	238
40A, 40B, 40BS, 40BTL, 40JA, 40SDS, 40SK	Sprocket - ANSI	258
41-1	Precision ANSI Roller Chain	238
41A, 41B, 41BS	Sprocket - ANSI	256
50-1, 50-2, 50-3	Precision ANSI Roller Chain	238
50A, 50B, 50BS, 50BTL, 50SDS, 50SH, 50SK	Sprocket - ANSI	266
50BB	Sprocket - Idler	304
60-1, 60-2, 60-3	Precision ANSI Roller Chain	238
60A, 60B, 60BS, 60BTL, 60SDS, 60SF, 60SH, 60SK	Sprocket - ANSI	274
60BB, 80BB	Sprocket - Idler	304
80-1, 80-2, 80-3, 80-4	Precision ANSI Roller Chain	238
80A, 80B, 80BS, 80BTL, 80Q, 80SDS, 80SF, 80SH	Sprocket - ANSI	282
100-1, 100-2, 100-3	Precision ANSI Roller Chain	239
100A, 100B, 100BS, 100BTL, 100E	Sprocket - ANSI	289
120-1, 120-2, 120-3	Precision ANSI Roller Chain	239
120A, 120B, 120BS, 120BTL, 120E, 120F	Sprocket - ANSI	293
140-1, 140-2	Precision ANSI Roller Chain	239
160-1, 160-2	Precision ANSI Roller Chain	239
180-1, 180-2	Precision ANSI Roller Chain	239
200-1, 200-2	Precision ANSI Roller Chain	239
240-1	Precision ANSI Roller Chain	239
1008, 1108, 1210, 1310, 1610, 1615, 2012, 2517, 2525, 3020, 3030	Tapered Bushing	324

Power Transmission designations beginning with letters

Prefix	Series Description	Page #
A20	Precision Double Pitch Conveyor Chain	246
AK	Single Groove Cast Iron Sheave for "4L" or "A" Belts	314
BK	Single Groove Cast Iron Sheave for "4L" or "A" Belts and "5L" or "B" Belts	316
BL5, BL6	Precision Leaf Chain	248
C20, C21	Precision Double Pitch Conveyor Chain	247
D40BS	Sprocket - Double - Finished Bore	264

Power Transmission designations beginning with letters

Prefix	Series Description	Page #
D50BS	Sprocket - Double - Finished Bore	272
D60BS	Sprocket - Double - Finished Bore	280
D80BS	Sprocket - Double - Finished Bore	288
E	QD Bushing	327
F	QD Bushing	327
H	QD Bushing - Double Split	327
J	QD Bushing	327
JA	QD Bushing	327
L	Jaw Couplings	336
SC, SC..D, SC..S, SC..SS	Shaft Collars	330
SD	QD Bushing	327
SDS	QD Bushing	327
SF	QD Bushing	327
SH	QD Bushing	327
SK	QD Bushing	327

Selection of bearing type

Each type of bearing displays characteristic features which make it suitable for a certain application. Therefore, many bearing types and constructive versions have been developed so that they can satisfy various demands for rolling bearings. Taking into account the great number of factors to be considered when selecting a bearing type, no general rule can be given.

Selection of bearing type, considering the load magnitude and direction

Radial load

Deep groove ball bearings are the most suitable types of bearings for light and moderate pure radial loads. For heavy radial load and where large-diameter shafts are used, double row cylindrical roller bearings are the adequate choice. Needle roller bearings are recommended in case of limited space and heavy loads.

Axial load

For pure axial loads, single direction thrust ball bearings are used in case of loads acting in one direction. For loads acting in both directions, double direction thrust ball bearings are used. Angular contact thrust ball bearings and single or double row angular contact ball bearings are used in case of light or moderate pure axial loads at moderate speeds.

For light axial loads at high speeds, deep groove ball bearings are suitable. Under the axial load, a contact angle different from 0° is generated in these bearings and therefore they operate as angular contact ball bearings. In order to increase axial load carrying capacity, a larger clearance should be selected (C3, C4, etc.)

For moderate axial loads at high speeds, angular contact ball bearings in tandem arrangement are used so that they can take over loads acting in both directions. Four-point contact ball bearings, QJ type, are also used.

Combined load

In order to carry combined radial and axial loads acting simultaneously, bearings with a contact angle different from 0° are used. The greater the contact angle, the greater the axial load carrying capacity.

Self-aligning ball bearings, spherical roller bearings or cylindrical roller bearings, NJ, NUP, NJ + HJ types can also accommodate combined loads of certain values. But there are some limit values of the ratio F_a/F_r which are shown in bearing tables and cannot be exceeded. Cylindrical roller bearings can carry axial loads by means of the sliding friction on ribs. For this reason, the load is limited.

Bearings which accommodate only one direction axial loads should always be mounted in pairs so that they can carry axial loads in both directions.

Selection of bearing type considering the alignment between shaft and housing

Angular misalignments occur generally when the shaft bends under the operating load or when bearings' adjoining parts have form or position deviations.

In such cases, self-aligning ball bearings, cylindrical roller bearings or spherical roller thrust bearings should be used.

A certain bearing bent angle can compensate for errors of alignment and maximum angle values are shown for each type in the introductory texts of the table sections.

When misalignments should be compensated, radial and axial clearance are important. The larger the clearance, the greater the possibility of self-aligning.

If the misalignment exceeds the permissible values shown in the introductory texts of the bearing tables, the bearing rating life decreases. The greater the ratio F_r/C_{0r} , the shorter the rating life. If $0, 1 < F_{0r} / C_{0r} < 3$, the rating life decreases with about 25%.

Selection of bearing type considering the operating temperature

Bearings are generally used up to a temperature of maximum +250°C. In case of higher temperatures, bearings with special heat treatments should be used.

Sealed bearings, 2RS type, should be used at operating temperatures up to +175°C. If this temperature is exceeded, the efficacy of lubricants is considerably reduced.

Selection of bearing internal clearance

In most cases, while operating, bearings should have a small radial clearance that can be defined as "the possible value of displacement in radial direction of one bearing ring in relation to the other without parts deformations".

While operating, bearing internal clearance is different from the one at delivery, since the latter is reduced when mounting bearings with a certain tight fit.

Under operating conditions, internal clearance change is also caused by different temperatures between the outer and inner ring. Bearings are generally delivered with a normal radial or axial clearance according to the values shown for each rolling bearing group.

The decrease in radial clearance due to the tight fit and operating temperature is considered to be between 60-80% of the tightening value, depending on bearing series and size.

After the clearance in bearings has been decreased, a large enough operational clearance should remain so that the lubricant film shouldn't be destroyed.

Deep groove ball bearings should have an operational clearance close to zero. There may be a light preload, due to the point-contact between the rolling elements and raceways.

Small-sized cylindrical roller and needle roller bearings should have an operational clearance of 5-10 µm and larger-sized bearings a clearance of 10-30 µm.

Bearings can be produced at request, with radial and axial clearance smaller (C1 and C2) or larger (C4 and C5) than normal, so that the most favorable operating conditions for bearings should be assured.

Cylindrical and needle roller bearings can be manufactured with interchangeable rings (no special designation) and with non interchangeable rings (suffix NA).

Bearings with non interchangeable parts have a smaller radial clearance than bearings with interchangeable parts. Changing rings from one bearing to another is not allowed.

In case of bearings with interchangeable parts, the rings may be changed and the values of radial clearance will not be altered.

Bearing types and technical characteristics

TRITAN can manufacture bearings of various types and sizes so that they can meet the customers' requirements assuring a proper reliability for various applications.

Bearing type is selected depending on the technical characteristics required by a certain application.

A suggestive graphic symbol has been determined for each main technical characteristic. Thus, a proper bearing for each purpose can be easily chosen. According to the specifications in this catalog, the proper type and size of bearing can be selected, together with all manufacturing and operating technical conditions.

Selection of bearing size

The size of a bearing is selected considering the load in the used rolling bearing and also depends on the operational rating life and prescribed operating safety.

Basic load ratings

The basic dynamic load rating C_r is used to calculate bearing dimensions while rotating under load. It expresses the bearing admissible load which will give a basic rating life up to 1000 000 revolutions.

The basic dynamic load ratings of TRITAN bearings have been determined in accordance with international standard ISO 281. The values are given in bearing tables.

Considering the basic dynamic load rating, the service time until the fatigue of the material is calculated, determining the calculated life rating.

Basic static load rating C_{0r} is considered in case of low speeds, low oscillating movements or in the stationary case.

The basic static load rating is defined in accordance with ISO 76, as the load acting upon the stationary bearing. It corresponds to a calculated contact stress in the center of the contact area between the most heavily loaded rolling element and the raceway, of:

- 4 600 MPa for self-aligning ball bearings,
- 4 200 MPa for all other ball bearings,
- 4 000 MPa for all roller bearings.

This stress produces a permanent deformation of the rolling element and raceway which is about 0,0001 of the rolling element diameter. The loads are pure radial for radial bearings and pure axial for thrust bearings.

Bearing life

The life of a rolling bearing is defined as the number of revolutions or the number of operating hours, which the bearing is capable to endure, before the first sign of fatigue occurs on one of its rings, on the raceway or the rolling elements.

If we want to consider only the fatigue on the bearing operating surfaces, the following conditions have to be observed:

1. The forces and speeds considered when calculating the bearing should correspond to the real operating conditions.
2. Proper lubrication should be assured during the entire operating period.
3. If the bearing carries a light load, its failure is generated by the wear.
4. Experience showed that the failure of many bearings was caused by other reasons than fatigue, such as: selection of an inadequate bearing type in a bearing joint, improper operation or lubrication, outer particles in bearing etc.

Basic rating life

The basic rating life of a single bearing or of a group of apparently identical bearings operating under identical conditions, is the life corresponding to a reliability of 90%.

The average life of a group of bearings is approximately five times longer than the basic rating life.



Basic rating life is marked with L_{10} (millions of revolutions) or L_{10h} (operating hours).

L_{10} can be calculated using the equation:

$$L_{10} = \left(\frac{C}{P} \right)^p, \text{ where:}$$

- L_{10} - basic rating life, millions of revolutions,
- C - basic bearing load rating, kN,
- P - equivalent dynamic applied bearing load, kN,
- p - exponent of the life equation with the following values:
 - $p = 3$ - for ball bearings
 - $p = 10/3$ - for roller bearings

The equivalent dynamic bearing load, respectively the radial and axial load, acting simultaneously can be calculated using the following equations (applicable to ball and roller radial bearings):

$$P_r = F_r, \text{ kN, - for pure radial load}$$

$$P_r = X F_r + Y F_a, \text{ kN, - for combined load}$$

For thrust ball bearings, the following equations can be used:

$$P_a = F_a, \text{ kN, - for pure axial load}$$

$$P_a = X F_r + Y F_a, \text{ kN, - for combined load}$$

where:

F_r = the radial component of the load, kN

F_a = the axial component of the load, kN

In the texts preceding the bearing tables, for some groups of bearings there are given details for determining the equivalent load. Values of the coefficients X and Y can be found in tables.

For bearings operating at constant speed, the basic rating life expressed in operating hours can be calculated using the equation:

$$L_{10h} = \frac{1\,000\,000}{60n} (C/P)^P \quad \text{sau} \quad L_{10h} = \frac{16\,666}{n} (C/P)^P$$

where:

n = rotation speed, r/min

Values of the basic rating life L_{10} (millions of revolutions) as a function of the ratio C/P can be found in the table 2.1.

Values of the basic rating life L_{10h} (operating hours) as a function of the ratio C/P and speed n can be found in table 2.2 for ball bearings and table 2.3 for roller bearings.

When determining the bearing size it is necessary to base the calculations on the rating life corresponding to the purpose of operation.

It usually depends on the machine type, service life and the requirements regarding operational safety.

Approximate values of the service life for various classes of machines and equipments for general purposes are given in table 2.4

The basic rating life L_{10h} of the bearings can be determined as a function of service life, using the life calculation chart on page 16.

The basic rating life of road and rail vehicle bearings, for wheel - axle bearings, is expressed as a function of the wheel diameter and covered distance (km), using the equation:

$$L_{10} = \frac{1\,000}{\pi D} L_{10s} \quad \text{respectively:} \quad L_{10s} = \frac{\pi D}{1\,000} L_{10}$$

where:

L_{10} - basic rating life, millions of revolutions

L_{10s} - service life distance, millions of kilometers

D - wheel diameter, m

Approximate values for the service life distance (kilometers covered), in case of light loaded cars and rail vehicles are given in table 2.5.

**Load ratio C/P for various life values L_{10}
(millions of revolutions)**

Table 2.1

L_{10}	C/P Ball bearings	Roller bearings	L_{10}	C/P Ball bearings	Roller bearings
0,5	0,793	0,812	600	8,43	6,81
0,75	0,909	0,917	650	8,66	6,98
1	1	1	700	8,88	7,14
1,5	1,14	1,13	750	9,09	7,29
2	1,26	1,24	800	9,28	7,43
3	1,44	1,39	850	9,47	7,56
4	1,59	1,52	900	9,65	7,7
5	1,71	1,62	950	9,83	7,82
6	1,82	1,71	1 000	10	7,94
8	2	1,87	1 100	10,3	8,17
10	2,15	2	1 200	10,6	8,39
12	2,29	2,11	1 300	10,9	8,59
14	2,41	2,21	1 400	11,2	8,79
16	2,52	2,3	1 500	11,4	8,97
18	2,62	2,38	1 600	11,7	9,15
20	2,71	2,46	1 700	11,9	9,31
25	2,92	2,63	1 800	12,2	9,48
30	3,11	2,77	1 900	12,4	9,63
35	3,27	2,91	2 000	12,6	9,78
40	3,42	3,02	2 200	13	10,1
45	3,56	3,13	2 400	13,4	10,3
50	3,68	3,23	2 600	13,8	10,6
60	3,91	3,42	2 800	14,1	10,8
70	4,12	3,58	3 000	14,4	11
80	4,31	3,72	3 200	14,7	11,3
90	4,48	3,86	3 400	15	11,5
100	4,64	3,98	3 600	15,3	11,7
120	4,93	4,2	3 800	15,6	11,9
140	5,19	4,4	4 000	15,9	12
160	5,43	4,58	4 500	16,5	12,5
180	5,65	4,75	5 000	17,1	12,9
200	5,85	4,9	5 500	17,7	13,2
220	6,04	5,04	6 000	18,2	13,6
240	6,21	5,18	6 500	18,7	13,9
260	6,38	5,3	7 000	19,1	14,2
280	6,54	5,42	7 500	19,6	14,5
300	6,69	5,54	8 000	20	14,8
320	6,84	5,64	8 500	20,4	15,1
340	6,98	5,75	9 000	20,8	15,4
360	7,11	5,85	9 500	21,2	15,6
380	7,24	5,94	10 000	21,5	15,8
400	7,37	6,03	12 000	22,9	16,7
420	7,49	6,12	14 000	24,1	17,5
440	7,61	6,21	16 000	25,2	18,2
460	7,72	6,29	18 000	26,2	18,9
480	7,83	6,37	20 000	27,1	19,5
500	7,94	6,45	25 000	29,2	20,9
550	8,19	6,64	30 000	31,1	22

Ball bearings - load ratio C/P for various basic rating lives L_{10h} (operating hours) at various speeds n (r/min)

Table 2.2

L _{10h}	C/P when n =										
	50	100	150	200	250	300	400	500	750	1 000	1 500
100	0,67	0,84	0,97	1,06	1,14	1,22	1,34	1,44	1,65	1,82	2,08
500	1,14	1,44	1,65	1,82	1,96	2,08	2,29	2,47	2,82	3,11	3,56
1 000	1,44	1,82	2,08	2,29	2,47	2,62	2,88	3,11	3,56	3,91	4,48
1 250	1,55	1,96	2,24	2,47	2,66	2,82	3,11	3,35	3,83	4,22	4,83
1 600	1,69	2,13	2,43	2,68	2,88	3,07	3,37	3,63	4,16	4,58	5,24
2 000	1,82	2,29	2,62	2,88	3,11	3,30	3,63	3,91	4,48	4,93	5,65
2 500	1,96	2,47	2,82	3,11	3,35	3,56	3,91	4,22	4,83	5,31	6,08
3 200	2,13	2,68	3,07	3,37	3,63	3,86	4,25	4,58	5,24	5,77	6,60
4 000	2,29	2,88	3,30	3,63	3,91	4,16	4,58	4,93	5,65	6,21	7,11
5 000	2,47	3,11	3,56	3,91	4,22	4,48	4,93	5,31	6,08	6,69	7,66
6 300	2,66	3,36	3,84	4,23	4,55	4,84	5,33	5,74	6,57	7,23	8,28
8 000	2,88	3,63	4,16	4,58	4,93	5,24	5,77	6,21	7,11	7,83	8,96
10 000	3,11	3,91	4,48	4,93	5,31	5,65	6,21	6,69	7,66	8,43	9,65
12 500	3,35	4,22	4,83	5,31	5,72	6,08	6,69	7,21	8,25	9,09	10,4
16 000	3,63	4,58	5,24	5,77	6,21	6,60	7,27	7,83	8,96	9,86	11,3
20 000	3,91	4,93	5,65	6,21	6,69	7,11	7,83	8,43	9,65	10,6	12,2
25 000	4,22	5,31	6,08	6,69	7,21	7,66	8,43	9,09	10,4	11,4	13,1
32 000	4,58	5,77	6,60	7,27	7,83	8,32	9,16	9,86	11,3	12,4	14,2
40 000	4,93	6,21	7,11	7,83	8,43	8,96	9,86	10,6	12,2	13,4	15,3
50 000	5,31	6,69	7,66	8,43	9,09	9,65	10,6	11,4	13,1	14,4	16,5
63 000	5,74	7,23	8,28	9,11	9,81	10,4	11,5	12,4	14,2	15,6	17,8
80 000	6,21	7,83	8,96	9,86	10,6	11,3	12,4	13,4	15,3	16,9	19,3
100 000	6,69	8,43	9,65	10,6	11,4	12,2	13,4	14,4	16,5	18,2	20,8
200 000	8,43	10,6	12,2	13,4	14,4	15,3	16,9	18,2	20,8	22,9	26,2

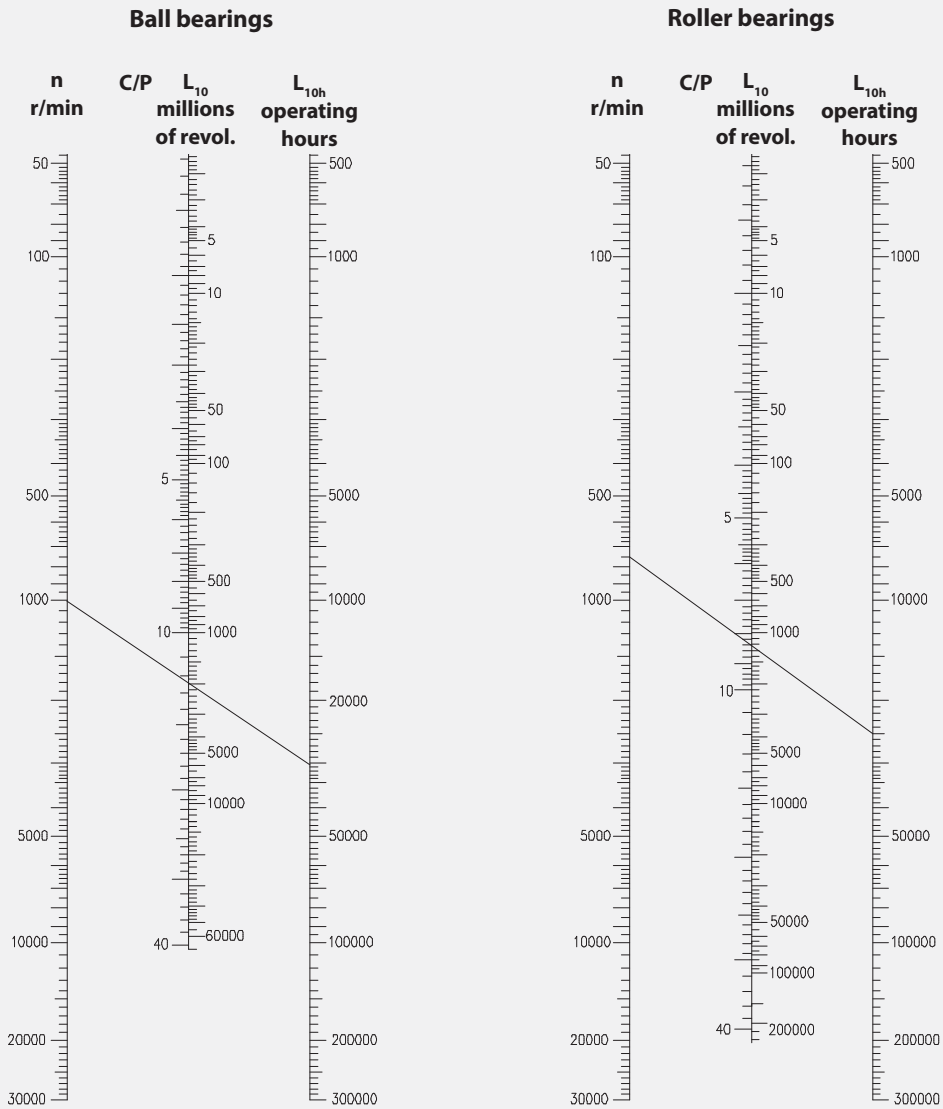
L _{10h}	C/P when n =										
	2 000	2 500	3 000	4 000	5 000	6 000	8 000	10 000	15 000	20 000	30 000
100	2,29	2,47	2,62	2,88	3,11	3,30	3,63	3,91	4,48	4,93	5,65
500	3,91	4,22	4,48	4,93	5,31	5,65	6,21	6,69	7,66	8,43	9,65
1 000	4,93	5,31	5,65	6,21	6,69	7,11	7,83	8,43	9,65	10,6	12,2
1 250	5,31	5,72	6,08	6,69	7,21	7,66	8,43	9,09	10,4	11,4	13,1
1 600	5,77	6,21	6,60	7,27	7,83	8,32	9,16	9,86	11,3	12,4	14,2
2 000	6,21	6,69	7,11	7,83	8,43	8,96	9,86	10,6	12,2	13,4	15,3
2 500	6,69	7,21	7,66	8,43	9,09	9,65	10,6	11,4	13,1	14,4	16,5
3 200	7,27	7,83	8,32	9,16	9,86	10,5	11,5	12,4	14,2	15,7	17,9
4 000	7,83	8,43	8,96	9,86	10,6	11,3	12,4	13,4	15,3	16,9	19,3
5 000	8,43	9,09	9,65	10,6	11,4	12,2	13,4	14,4	16,5	18,2	20,8
6 300	9,11	9,81	10,4	11,5	12,4	13,1	14,5	15,6	17,8	19,6	22,5
8 000	9,86	10,6	11,3	12,4	13,4	14,2	15,7	16,9	19,3	21,3	24,3
10 000	10,6	11,4	12,2	13,4	14,4	15,3	16,9	18,2	20,8	22,9	26,2
12 500	11,4	12,3	13,1	14,4	15,5	16,5	18,2	19,6	22,4	24,7	28,2
16 000	12,4	13,4	14,2	15,7	16,9	17,9	19,7	21,3	24,3	26,8	30,7
20 000	13,4	14,4	15,3	16,9	18,2	19,3	21,3	22,9	26,2	28,8	33,0
25 000	14,4	15,5	16,5	18,2	19,6	20,8	22,9	24,7	28,2	31,1	35,6
32 000	15,7	16,9	17,9	19,7	21,3	22,6	24,9	26,8	30,7	33,7	38,6
40 000	16,9	18,2	19,3	21,3	22,9	24,3	26,8	28,8	33,0	36,3	41,6
50 000	18,2	19,6	20,8	22,9	24,7	26,1	28,8	31,1	35,6	39,1	44,8
63 000	19,6	21,1	22,5	24,7	26,6	28,3	31,2	33,6	38,4	42,3	48,4
80 000	21,3	22,9	24,3	26,8	28,8	30,7	33,7	36,3	41,6	45,8	52,4
100 000	22,9	24,7	26,2	28,8	31,1	33,0	36,3	39,1	44,8	49,3	56,5
200 000	28,8	31,1	33,0	36,3	39,1	41,6	45,8	49,3	56,5	62,1	71,1

Roller bearings - load ratio C/P for various basic rating lives L_{10h} (operating hours) at various speeds n (r/min)

Table 2.3

L _{10h}	C/P when n =										
	50	100	150	200	250	300	400	500	750	1 000	1 500
100	0,70	0,86	0,97	1,06	1,13	1,19	1,30	1,39	1,57	1,71	1,93
500	1,13	1,39	1,57	1,71	1,83	1,93	2,11	2,25	2,54	2,77	3,13
1 000	1,39	1,71	1,93	2,11	2,25	2,38	2,59	2,77	3,13	3,42	3,86
1 250	1,49	1,83	2,07	2,25	2,41	2,54	2,77	2,97	3,35	3,65	4,12
1 600	1,60	1,97	2,23	2,43	2,59	2,74	2,99	3,19	3,61	3,93	4,44
2 000	1,71	2,11	2,38	2,59	2,77	2,93	3,19	3,42	3,86	4,20	4,75
2 500	1,83	2,25	2,54	2,77	2,97	3,13	3,42	3,65	4,12	4,50	5,08
3 200	1,97	2,43	2,74	2,99	3,19	3,37	3,68	3,93	4,44	4,84	5,47
4 000	2,11	2,59	2,93	3,19	3,42	3,61	3,93	4,20	4,75	5,18	5,85
5 000	2,25	2,77	3,13	3,42	3,65	3,86	4,20	4,50	5,08	5,54	6,25
6 300	2,42	2,97	3,36	3,66	3,91	4,13	4,51	4,82	5,44	5,93	6,70
8 000	2,59	3,19	3,61	3,93	4,20	4,44	4,84	5,18	5,85	6,37	7,20
10 000	2,77	3,42	3,86	4,20	4,50	4,75	5,18	5,54	6,25	6,81	7,70
12 500	2,97	3,65	4,12	4,50	4,81	5,08	5,54	5,92	6,68	7,29	8,23
16 000	3,19	3,93	4,44	4,84	5,18	5,47	5,96	6,37	7,20	7,85	8,86
20 000	3,42	4,20	4,75	5,18	5,54	5,85	6,37	6,81	7,70	8,39	9,48
25 000	3,65	4,50	5,08	5,54	5,92	6,25	6,81	7,29	8,23	8,97	10,1
32 000	3,93	4,84	5,47	5,96	6,37	6,73	7,34	7,85	8,86	9,66	10,9
40 000	4,20	5,18	5,85	6,37	6,81	7,20	7,85	8,39	9,48	10,3	11,7
50 000	4,50	5,54	6,25	6,81	7,29	7,70	8,39	8,97	10,1	11,0	12,5
63 000	4,82	5,93	6,70	7,30	7,81	8,25	8,99	9,61	10,9	11,8	13,4
80 000	5,18	6,37	7,20	7,85	8,39	8,86	9,66	10,3	11,7	12,7	14,4
100 000	5,54	6,81	7,70	8,39	8,97	9,48	10,3	11,0	12,5	13,6	15,4
200 000	6,81	8,39	9,48	10,3	11,0	11,7	12,7	13,6	15,4	16,7	18,9
L _{10h}	C/P when n =										
	2 000	2 500	3 000	4 000	5 000	6 000	8 000	10 000	15 000	20 000	30 000
100	2,11	2,25	2,38	2,59	2,77	2,93	3,19	3,42	3,86	4,20	4,75
500	3,42	3,65	3,86	4,20	4,50	4,75	5,18	5,54	6,25	6,81	7,70
1 000	4,20	4,50	4,75	5,18	5,54	5,85	6,37	6,81	7,70	8,39	9,48
1 250	4,50	4,81	5,08	5,54	5,92	6,25	6,81	7,29	8,23	8,97	10,1
1 600	4,84	5,18	5,47	5,96	6,37	6,73	7,34	7,85	8,86	9,66	10,9
2 000	5,18	5,54	5,85	6,37	6,81	7,20	7,85	8,39	9,48	10,3	11,7
2 500	5,54	5,92	6,25	6,81	7,29	7,70	8,39	8,97	10,1	11,0	12,5
3 200	5,96	6,37	6,73	7,34	7,85	8,29	9,03	9,66	10,9	11,9	13,4
4 000	6,37	6,81	7,20	7,85	8,39	8,86	9,66	10,3	11,7	12,7	14,4
5 000	6,81	7,29	7,70	8,39	8,97	9,48	10,3	11,0	12,5	13,6	15,4
6 300	7,30	7,81	8,25	8,99	9,61	10,2	11,1	11,8	13,4	14,6	16,5
8 000	7,85	8,39	8,86	9,66	10,3	10,9	11,9	12,7	14,4	15,7	17,7
10 000	8,39	8,97	9,48	10,3	11,0	11,7	12,7	13,6	15,4	16,7	18,9
12 500	8,97	9,59	10,1	11,0	11,8	12,5	13,6	14,5	16,4	17,9	20,2
16 000	9,66	10,3	10,9	11,9	12,7	13,4	14,6	15,7	17,7	19,3	21,8
20 000	10,3	11,0	11,7	12,7	13,6	14,4	15,7	16,7	18,9	20,6	23,3
25 000	11,0	11,8	12,5	13,6	14,5	15,4	16,7	17,9	20,2	22,0	24,9
32 000	11,9	12,7	13,4	14,6	15,7	16,5	18,0	19,3	21,8	23,7	26,8
40 000	12,7	13,6	14,4	15,7	16,7	17,7	19,3	20,6	23,3	25,4	28,7
50 000	13,6	14,5	15,4	16,7	17,9	18,9	20,6	22,0	24,9	27,1	30,6
63 000	14,6	15,6	16,5	17,9	19,2	20,3	22,1	23,6	26,7	29,1	32,8
80 000	15,7	16,7	17,7	19,3	20,6	21,8	23,7	25,4	28,7	31,2	35,3
100 000	16,7	17,9	18,9	20,6	22,0	23,3	25,4	27,1	30,6	33,4	37,7
200 000	20,6	22,0	23,3	25,4	27,1	28,7	31,2	33,4	37,7	41,1	46,4

Basic rating life calculation chart



Example:

1. It is required to determine the size of a deep groove ball bearing single row, considering the following conditions:

- Basic rating life $L_{10h} = 25\,000$ operating hours
- Rotational speed $n = 1\,000$ r/min
- Load in bearing $F_r = 5$ kN

The chart shows that $C/P = 11,6$; $C = 11,6$, $P = 11,6 \times 5 = 58$ kN. In the catalog on page 58, you can select the bearing 6310 type with the following characteristics: $C_r = 61,8$ kN; $n = 7\,000$ r/min.

Recommended basic rating lives for general purpose machines

Table 2.4

Application	Recommended basic rating life L_{10h} (operating hours)
Household machines, technical apparatus for medical use, instruments, agricultural machines:	300...3 000
Machines used for short periods or intermittently: electric hand tools, cranes, lifting tackles in workshops, building machines:	3 000...8 000
Machines used intermittently or for short periods with high operational reliability: lifts, small cranes:	8 000...12 000
Machines for use 8 hours/day but not always at full capacity: machines for general purposes, electric motors for industrial use, rotary crushers, gear drives for general purposes:	10 000...25 000
Machines operating 8 hours/day at full capacity: machine tools, woodworking machines, large cranes, printing equipment, ventilators, separators, centrifuges:	20 000...30 000
Machines for continuous use 24 hours/day: Rolling mill gear units, medium sized electrical machinery, compressors, pumps, textile machines, mine hoists:	40 000...50 000
Hydraulic machines, rotary furnaces, capstans, propulsion machinery for sea vessels (propellers for sea vessels):	50 000...10 0000
Machines for continuous use 24 hours/day with high reliability: large electric machinery, mine pumps and mine ventilators, power station plants, machines for cellulose industry, pumping units:	100 000...

Values for basic rating life L_{10s}

Table 2.5

Type of vehicle	$L_{10s}/10^6$ km
Wheel hub bearings for road vehicles	
- light loaded cars	0,3
- trucks, buses	0,6
Axlebox bearings for rail vehicles:	
goods wagons (according to UIC)	0,8
suburban vehicles, trams	1,5
long distance passenger carriages	3
motorailers	3-4
Diesel and electric locs	3-4

Complete oscillation = 4 from point 0 to point 4

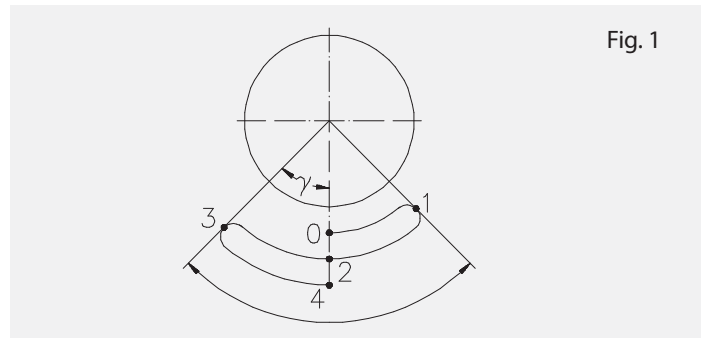


Fig. 1

In case of bearings which do not rotate but oscillate from a central position through an angle, as shown in fig. 1, basic rating life can be determined as follows:

$$L_{10osc} = \frac{180}{2\gamma} L_{10}$$

where:

- L_{10osc} - basic rating life, millions of cycles
- γ - oscillation amplitude (angle of maximum deviation from center position), degrees.

If the amplitude of oscillation is very small, it can be ignored for basic rating life determination.

Fluctuating dynamic load and speeds

In many cases, in operation speed and magnitude of load fluctuate. Therefore, a mean dynamic load is to be calculated.

The load acting on the bearing can vary as shown in fig. 2-a and 2-b. In this case, the mean load can be determined using the equation:

$$F_m = \sqrt[p]{\frac{F_1^p n_1 + F_2^p n_2 + \dots + F_n^p n_n}{n}}$$

where:

- F_m - constant mean load, kN
- F_1, F_2, \dots, F_n - constant load during n_1, n_2, \dots, n_n revolutions, kN
- n - total number of revolutions ($n = n_1 + n_2 + \dots$) during which loads F_1, F_2, \dots act
- p - exponents -3
- for ball bearings,
- 10/3 - for roller bearings.

If the bearing speed is constant and the magnitude of the load is between the minimum value F_{min} and a maximum value F_{max} as shown in fig. 3 a and b, the mean load can be obtained from:

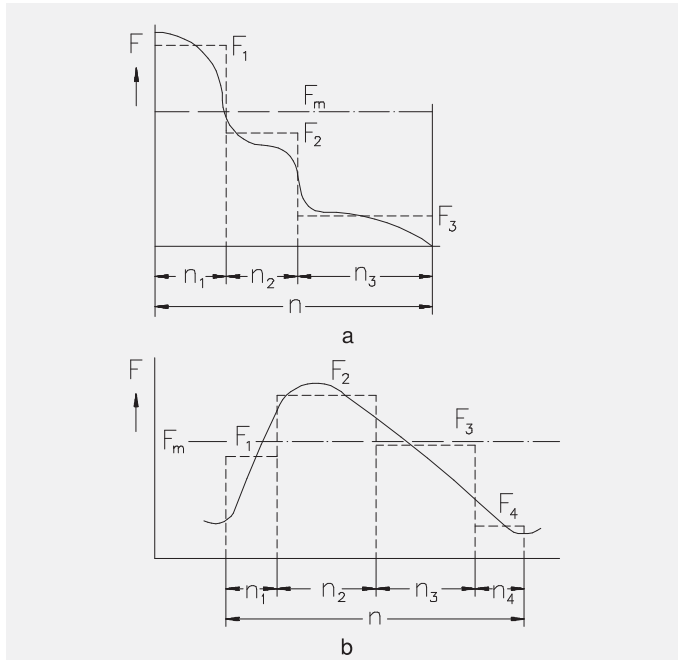


Fig. 2

$$F_m = \frac{F_{min} + 2F_{max}}{3}, \text{ kN}$$

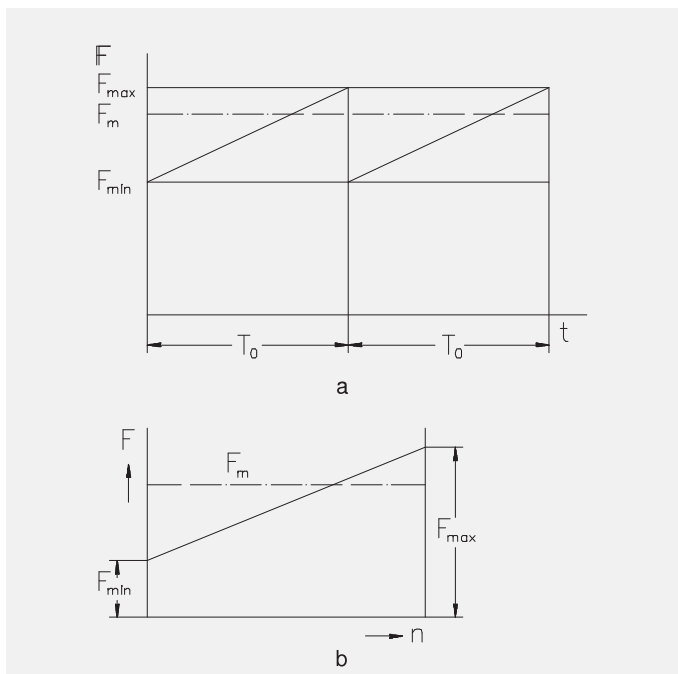


Fig. 3

If the external radial load consists of a load F_1 which is constant in magnitude and direction and a load F_2 which is variable in direction and constant in magnitude (F_1 and F_2 acting in the same plane) as shown in fig. 4, the mean load can be determined using the equation:

$$F_m = f_m (F_1 + F_2), \text{ kN}$$

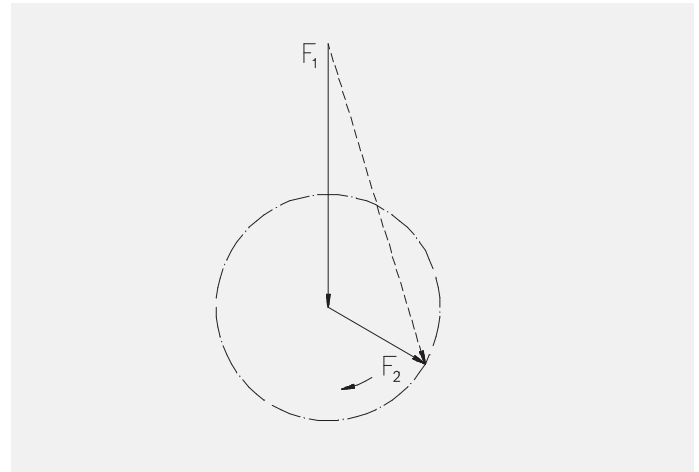


Fig.4

Values for the factor f_m can be obtained from fig. 5. In case of sinusoidal movement as it is shown in fig. 6, the mean load can be obtained from:

$$F_m = \sqrt{\frac{p}{3\pi}} F_{max}, \text{ kN},$$

$$F_m \approx 0,75 F_{max}, \text{ kN}, \text{ for ball bearings}$$

$$F_m \approx 0,77 F_{max}, \text{ kN}, \text{ for roller bearings}$$

In case of oscillating movements with oscillating angle γ , as shown in fig. 7, equivalent mean load can be calculated with the equation:

$$F_m = \sqrt{\frac{\gamma}{90^\circ}} F_r, \text{ kN}$$

If the fluctuating load acts in a pure radial direction for radial bearings and in a pure axial direction for thrust bearings, the equivalent dynamic bearing load will be: $P_r = F_m$.

For combined loads, with radial load F_r and axial load F_a constant in direction and magnitude, the equivalent dynamic load can be calculated using the equation:

$$P_r = X F_r + Y F_a, \text{ kN}$$

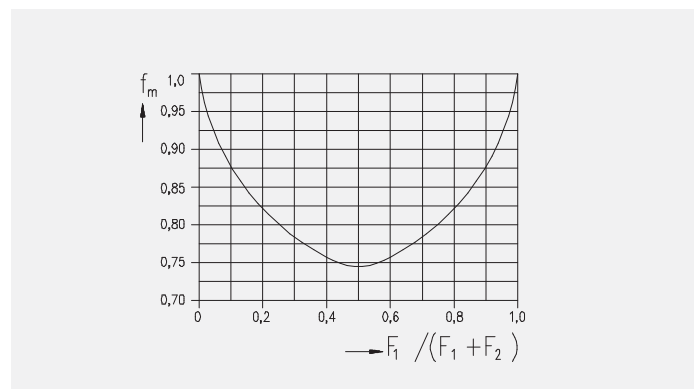


Fig. 5

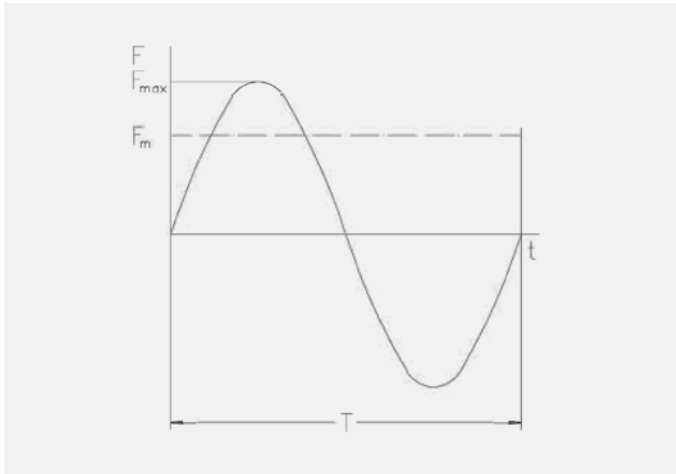


Fig. 6

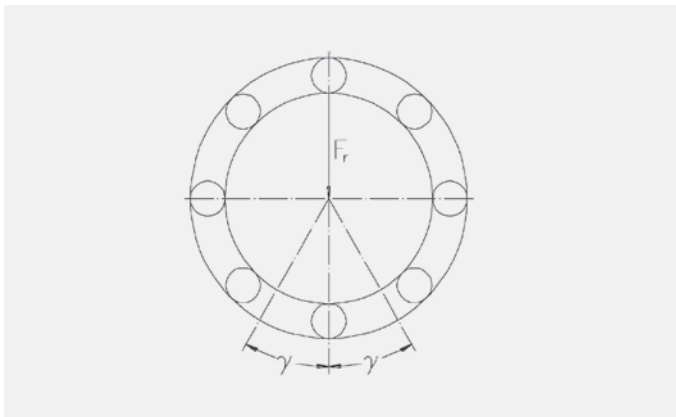


Fig. 7

In case of combined loads, with radial and axial loads changing in time, ratio F_r/F_a being constant, the equivalent dynamic load can be calculated by:

$$P_m = XF_{rm} + YF_{am}$$

where:

- P_m - equivalent mean dynamic load, kN,
- F_{rm} - radial mean load, kN,
- F_{am} - axial mean load, kN,
- X, Y - factors of radial and axial load.

In case the direction and magnitude of the load change in time and speeds fluctuate in time, the equivalent mean dynamic load will be calculated using the equation:

$$P_m = \sqrt[p]{\frac{P_1^p n_1 + P_2^p n_2 + \dots + P_n^p n_n}{n}}$$

where:

- P_m - equivalent mean dynamic load, kN
- P_1 - equivalent dynamic load for n_1 revolutions, kN
- P_2 - equivalent dynamic load for n_2 revolutions, kN
- P_n - equivalent dynamic load for n_n revolutions, kN
- n_1 - number of revolutions for load P_1
- n_2 - number of revolutions for load P_2
- n_n - number of revolutions for load P_n
- n - number of revolutions ($n = n_1 + n_2 + \dots + n_n$)
- p - exponent:
 - 3 - for ball bearings,
 - 10/3 - for roller bearings

Basic dynamic load of a bearing group

In case of ball and roller bearings especially, a bearing group of the same type mounted close together is required, so that heavy radial loads can be carried.

In order to take over the load uniformly these bearings should be mounted in order to equal the diameter deviations to the radial clearances.

These deviations must be kept below 1/2 of the admitted tolerance class.

Basic dynamic load for a bearing group, as a function of the basic load of the single bearing, can be calculated using the equation:

$$C_{ri} = C_r i^n,$$

where:

- C_{ri} - basic dynamic load of the bearing group, kN,
- C_r - basic dynamic load of the single bearing, selected from the tables,
- i - number of bearings of the same type, mounted close together,
- n - exponent depending on the bearing type:
 - 0,7 - for ball bearings
 - 7/9 - for roller bearings

Values of i^n are given in table 2.6.

i	Values for i^n	
	$i^{0,7}$	$i^{7/9}$
2	1,62	1,71
2	2,16	2,35
4	2,64	2,94

The equivalent dynamic load for each group of bearings is calculated considering the specifications in the introductory text preceding the respective group.

Adjusted rating life

Basic rating life L_{10h} is often satisfactory for bearing performances. This life means a reliability of 90% for material and a modern and usual manufacturing technology, as well as for conventional operating conditions.

For a reliability over 90% (100-n)%, ISO recommends steels elaborated in better conditions, high level manufacturing technologies and specific operating conditions. In this case, adjusted rating life can be calculated as follows:

$$L_{na} = a_1 a_2 a_3 L_{10} \text{ or}$$

$$L_{na} = a_1 a_2 a_3 \left(\frac{C}{P} \right)^p$$

where:

- L_{na} - adjusted rating life, millions of revolutions
- a_1 - life adjustment factor considering reliability
- a_2 - life adjustment factor considering the material and manufacturing conditions
- a_3 - life adjustment factor considering the operating conditions.

In case of life adjustment factors a_1 , a_2 , a_3 greater than 1, when calculating adjusted rating life, prudence and familiarity with bearing manufacturing and operating conditions, including shaft bending and housing stiffness are recommended.

Life adjustment factor a_1 for reliability

The bearing failure, caused by fatigue, is subjected to certain statistic laws. Therefore, this fact is recommended to be considered when calculating the bearing life.

Values of the life adjustment factor a_1 for reliabilities over than 90% are given in table 2.7.

Reliability, %	L_{na}	a_1
90	L10a	1
95	L5a	0,62
96	L4a	0,53
97	L3a	0,44
98	L2a	0,33
99	L1a	0,21

Life adjustment factor a_2 for material

Life adjustment factor a_2 takes into account the properties of the material, heat treatment of the steel and manufacturing technologies. For TRITAN bearings, $a_2 = 1$ is recommended.

Life adjustment factor a_{23} for operating conditions

The longest life of a bearing can be reached in case of hydrodynamic lubrication, namely where there is no direct contact between rolling elements and raceway due to the lubricant film. In this field, many studies have been done by world leading bearing manufacturing companies. These studies showed that there is relationship between life adjustment factor a_2 for material and life adjustment factor a_3 for operating conditions. Preferably these factors should be unified, obtaining factor a_{23} . In this case, adjusted rating life would be:

$$L_{na} = a_1 a_{23} L_{10} \text{ or } L_{na} = a_1 a_{23} L_{10h}$$

The values of a_{23} coefficient depend on the lubricant used for bearing lubrication, namely on the ratio of the oil viscosity at +40°C, ν (initial value) to the viscosity required for adequate lubrication at the operating temperature ν_1 . The values are given in table 2.8.

$\frac{\nu}{\nu_1}$	0,1	0,2	0,5	1,1,5	2	3	4	5
a_{23}	0,45	0,55	0,75	1,1,3	1,6	2	2,5	2,5

The values of viscosity ν_1 , as a function of the mean bearing diameter and operating speed, are given in the diagram fig. 8.

Kinematic viscosity ν at the temperature of +40°C can be determined from the diagram fig. 9 in accordance with ISO, if the bearing operating temperature is known.

In case of grease lubrication, calculation should be done considering the basic oil viscosity and the value of the life adjustment factor a_{23} will be smaller than 1.

Example of oil kinematic viscosity calculation for bearing lubrication:

The bearing 6212 operates at a speed of 3500 r/min and a temperature of +70°C.

Mean diameter will be:

$$0,5 (d+D) = 0,5 (60 + 110) = 85 \text{ mm.}$$

From the diagram fig. 9, at a temperature of +70°C for a viscosity $\nu_1 = 8 \text{ mm}^2/\text{s}$, the viscosity at +40°C is $20 \text{ mm}^2/\text{s}$ (cSt).

In this case, an oil should be selected in accordance with ISO VG22 with kinematic viscosity limits: $\nu_{\min} = 19,8 \text{ mm}^2/\text{s}$ (cSt) and $\nu_{\max} = 24,2 \text{ mm}^2/\text{s}$ (cSt).

In case of bearing operating at temperatures higher than +150°C, an adjustment factor f_t for temperature should be added to the life adjustment factor a_{23} . Adjusted rating life will be:

$$L_{na} = a_1 a_{23} f_t L_{10} \text{ or } L_{na} = a_1 a_{23} f_t L_{10h}$$

Values for the life adjustment factor f_t for temperature are given in table 2.9.

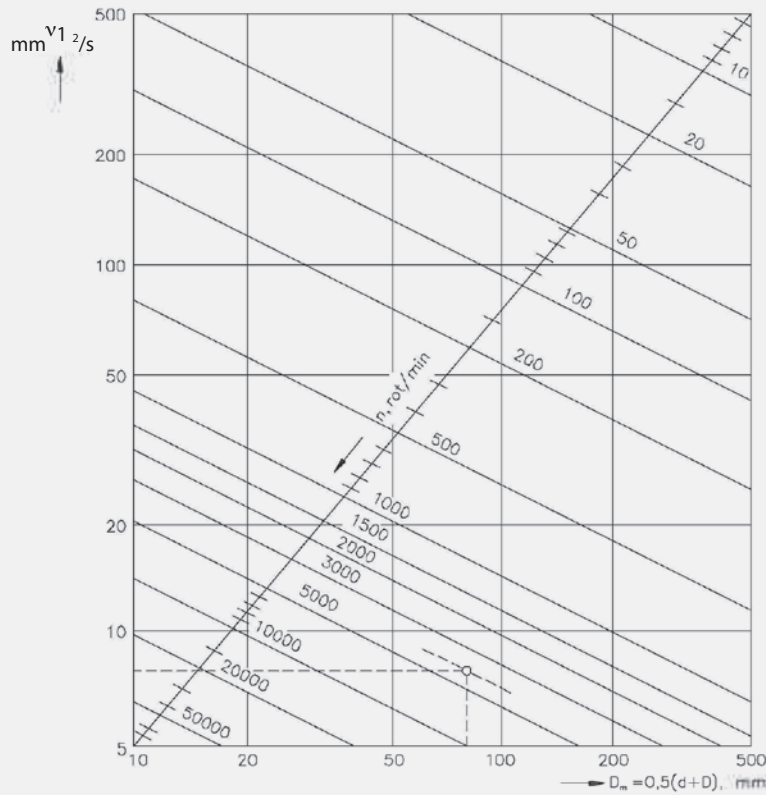


Fig. 8

Values for operating temperature factor f_t

Table 2.9

Operating temperature, t °C	150	200	250	300
f_t		0,73	0,42	0,22

Static load

When the bearing is stationary or rotates at slow movements or very low speeds (lower than 10 r/min), basic static load is not determined by the material fatigue but by permanent deformation caused at the rolling element/raceway contact.

It is also the case of rotating bearings, when they have to sustain heavy shock loads which act during a fraction of their revolution.

Generally, the value of the load may increase up to the value of the basic static load C_0 , without altering the bearing operating properties.

Equivalent static load

Combined static load (radial and axial load acting simultaneously on bearing) must be converted into an equivalent static bearing load. This is defined as the load (radial for radial bearings and axial for thrust bearings) which if applied, would cause the same permanent deformation in the bearing as the real load operating upon it.

Equivalent static load is obtained from the general equation:

$$P_0 = X_0 F_r + Y_0 F_a, \text{ kN}$$

where:

- P_0 - equivalent static bearing load, kN,
- F_r - radial component of the heaviest static load, kN,
- F_a - axial component of the heaviest static load, kN,
- X_0 - radial load factor of the bearing,
- Y_0 - axial load factor of the bearing.

Data needed to calculate equivalent static load can be found in text and in bearing tables.

Requisite basic static load rating

When determining bearing size on the basis of the static load, a static safety factor s_0 is used.

The requisite basic static load is calculated using the equation:

$$C_{r0} = s_0 P_{r0}, \text{ kN},$$

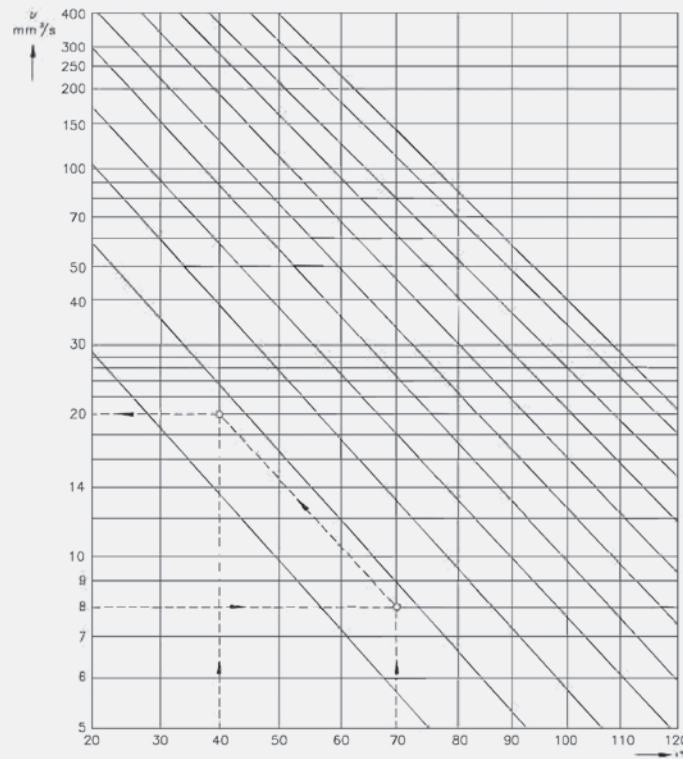


Fig. 9

where:

- C_{r0} - basic static load rating, kN,
- s_0 - static safety factor, table 2.11,
- P_{r0} - equivalent static load, kN.

At high temperatures, life of the material decreases and the static load carrying capacity of bearings is reduced.

For high temperatures, basic static load is calculated using the equation:

$$C_{r0} = f_{0t} s_0 P_{r0}, \text{ kN}$$

The values of factor f_{0t} depending on temperature is given in table 2.10

Values for temperature factor f_{0t}

Table 2.10				
Operating temperature, t °C	150	200	250	300
f_{0t}	1	0,95	0,85	0,75

Non-rotating bearings

In case of non-rotating bearings, the values of static safety factor s_0 , for certain applications are given in table 2.11. These values are also valid for bearings with oscillating movements.

Values for static safety factor s_0

Table 2.11

Application	s_0
Gates for barrages, dams, sluices	
Opening bridges	1,5
Crane hooks for:	
- large cranes without additional loads	1,5
- small cranes with additional dynamic loads	1,6

Rotating bearings

In case of fluctuating or oscillating loads and especially when heavy shock loads are acting during a fraction of revolution, it is necessary to check if the bearing has the proper static load carrying capacity.

Heavy shock loads, higher than the basic static bearing load, produce permanent deformations not uniformly distributed on raceway, which influence negatively upon bearing running.

Generally, heavy shock loads cannot be exactly calculated and in certain cases they produce deformations of bearing housing and consequently an unfavorable load distribution in bearing.

When a bearing rotates under maximum load, raceway becomes uniformly deformed on all its outer surface without any imprint.

For various operating conditions, maximum load acting upon the bearing is calculated with static safety factor s_0 , depending on the vibrations and shock loads.

The values of static safety factor are given in table 2.12.

For bearings with a known equivalent static load, static safety factor s_0 is necessary to be checked using the equation:

$$s_0 = \frac{C_{r0}}{P_{r0}}$$

If the value of s_0 is less than that recommended in table 2.12, then a bearing with a higher basic static load carrying capacity should be selected.

Basic static load for a group of bearings

Where more bearings of the same type are mounted close together to take over a static load, the load magnitude supported by these bearings will be calculated from:

$$C_{0ri} = C_{0r} i$$

where:

- C_{0ri} - basic static load of the bearing group,
- C_{0r} - basic static load of the single bearing (from tables).
- i - number of bearings.

Values for static safety factor s_0

Table 2.12

Type of operation	Requirements regarding quiet running					
	Unimportant	Normal	High			
	Ball bearings	Roller	Ball bearings	Roller	Ball bearings	Roller
Smooth, vibration-free	0,5	1	1	1,5	2	3
Normal	0,5	1	1	1,5	2	3,5
Heavy shock loads	>1,5	>2,5	>1,5	>3	>2	>4

Bearing Tolerances

Bearing tolerances have been internationally standardized in accordance with ISO 492, ISO 199, and ABM4.

Bearings are generally manufactured to the tolerance class P0 (ABEC 1). At request, they can also be manufactured to the tolerance classes P6 (ABEC 3), P5 (ABEC 5), P4 (ABEC 7) and P2 (ABEC 9). These bearings are used for special applications, such as very accurate shaft guidance or very high speeds.

The values of the limit deviations for these tolerance classes are given for:

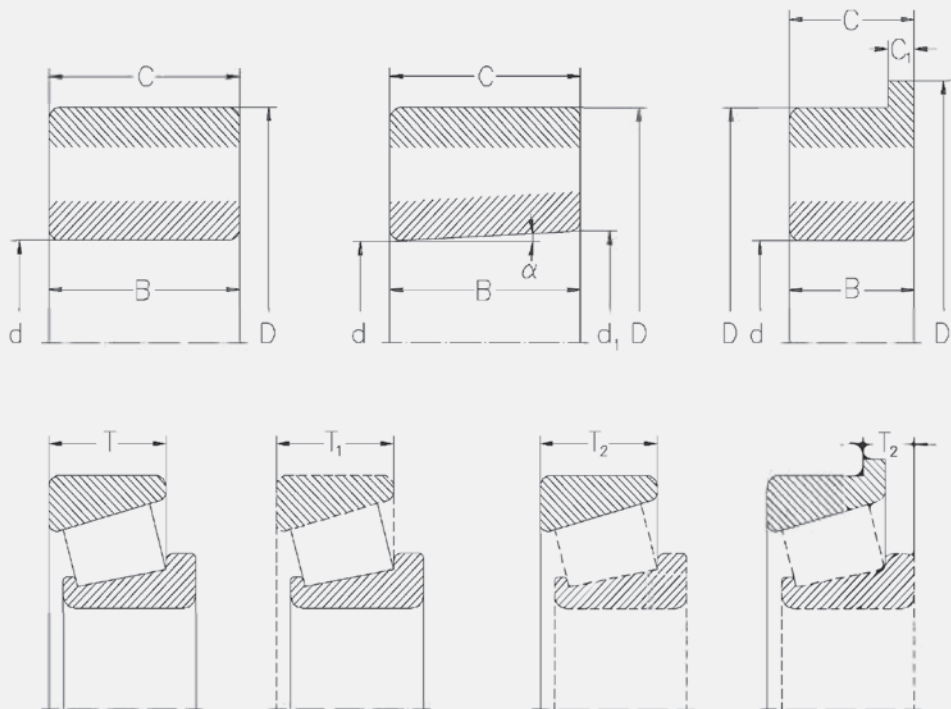
- the overall dimensions of:
 - deep groove ball bearings, angular contact ball bearings, self-aligning ball bearings, spherical roller bearings, cylindrical roller bearings, needle roller bearings, tapered roller bearings,
 - tapered roller bearings with metric(mm) and inch dimensions,
 - tapered bore bearings,
 - thrust ball bearings, angular contact thrust ball bearings, cylindrical roller thrust bearings, needle roller thrust bearings,
 - mounting chamfer.

Symbols

d	- nominal bore diameter or shaft washer nominal bore diameter for thrust bearings
d_1	- nominal diameter at the theoretical large end of the tapered bore
d_2	- nominal bore diameter of the shaft washer for double direction thrust bearings
d_s	- deviation of single bore diameter
d_{psmax}	- maximum bore diameter, in a single radial plane
d_{psmin}	- minimum bore diameter, in a single radial plane
Δd_s	- deviation of a single bore diameter $\Delta d_s = d_s - d$
d_{mp}	- mean bore diameter, in a single radial plane $d_{mp} = (d_{psmax} + d_{psmin})/2$
Δd_{mp}	- deviation of the mean bore diameter in a single radial plane; or deviation of the mean diameter at the theoretical small end of the tapered bore, in case of tapered bore bearings; or deviation of the mean bore diameter of the shaft washer in a single radial plane for single direction thrust bearings $\Delta d_{mp} = d_{mp} - d$
d_{1mp}	- mean diameter at the large theoretical end of the tapered bore in a single plane.

Δd_{1mp}	- deviation of the mean diameter at the theoretical large end of the tapered bore $\Delta d_{1mp} = d_{1mp} - d$
Δd_{2mp}	- deviation of the mean bore diameter of the shaft washer for a double direction thrust bearing, in a single radial plane
V_{dp}	- bore diameter variation in a single radial plane; or bore diameter variation of the shaft washer in a single radial plane, for single direction thrust bearings $V_{dp} = d_{psmax} - d_{psmin}$
V_{d2p}	- bore diameter variation of the shaft washer for double direction thrust bearings, in a single radial plane
V_{dmp}	- mean bore diameter variation (valid only for cylindrical bore) $V_{dmp} = d_{mpmax} - d_{mpmin}$
α	- nominal half-angle of the tapered bore
D	- nominal outside diameter or housing washer nominal diameter
D_1	- nominal outside diameter of the outer ring rib
D_s	- single outside diameter
D_{psmax}	- maximum outside diameter in a single radial plane
D_{psmin}	- minimum outside diameter in a single radial plane
ΔD_s	- deviation of the single outside diameter $\Delta D_s = D_s - D$
D_{mp}	- mean outside diameter, in a single plane $D_{mp} = (D_{psmax} + D_{psmin})/2$
ΔD_{mp}	- deviation of the mean outside diameter in a single radial plane; or deviation of the mean diameter of housing washer in a single radial plane, for thrust bearings $\Delta D_{mp} = D_{mp} - D$
V_{Dp}	- outside diameter variation in a single radial plane; or housing washer diameter variation in a single radial plane for double direction thrust bearings $V_{Dp} = D_{psmax} - D_{psmin}$
V_{Dmp}	- mean outside diameter variation
B	- nominal width of the inner ring
B_s	- single width of the inner ring
ΔB_s	- inner ring single width deviation $\Delta B_s = B_s - B$
V_{B_s}	- inner ring single width variation
C	- nominal width of the outer ring
C_s	- single width of the outer ring
ΔC_s	- deviation of outer ring single width $\Delta C_s = C_s - C$

V_{Cs}	- single width variation of the outer ring $V_{Cs} = C_{smax} - C_{smin}$	S_D	- variation in inclination of outside cylindrical surface to outer ring side face
T	- nominal width of tapered roller bearings	S_{ia}	- side face runout of assembled inner ring with reference to raceway
T_s	- single width of tapered roller bearings	S_{ea}	- side face runout of assembled outer ring with reference to raceway
ΔT_s	- deviation of the single width of taper roller bearings $\Delta T_s = T_s - T$	S_i	- thickness variation measured from middle of raceway to back seating face of shaft washer
T_1	- nominal width of the inner ring and tapered roller assembly	S_e	- thickness variation measured from middle of raceway to back face of housing washer
T_{1s}	- single width of the inner ring and tapered roller assembly	ΔH_s	- deviation of mounting height of single direction thrust ball and roller bearings
ΔT_{1s}	- deviation of the single width of inner ring and tapered roller assembly $\Delta T_{1s} = T_{1s} - T_1$	ΔH_{1s}	- deviation of mounting height of thrust ball bearings with sphered housing washer
T_2	- nominal width of the outer ring assembly	ΔH_{2s}	- deviation of mounting height of double direction thrust ball and roller bearings
T_{2s}	- single width of the outer ring assembly	ΔH_{3s}	- deviation of mounting height of double direction thrust ball bearings with sphered housing washer
ΔT_{2s}	- deviation of the single width of outer ring assembly $\Delta T_{2s} = T_{2s} - T_2$		
K_{ia}	- radial runout of assembled bearing inner ring		
K_{ea}	- radial runout of assembled bearing outer ring		
S_d	- side face runout with reference to bore of the inner ring		



Radial bearings (excepting tapered roller bearings) Tolerance class P0 (ABEC 1)

Inner ring

Table 3.1

Deviations μm												
d mm	Δdmp	Vdp		VDmp			K_{ja}	ΔBs			VBs	
		Diameter series 7,8,9	0,1	2,3,4	max.	max.		max.	all	nor- mal		modi- fied ²⁾
over	up to	high	low	max.	max.	max.	max.	max.	high	low	low	max.
0,6¹⁾	2,5	0	-8	10	8	6	6	10	0	-40		12
2,5	10	0	-8	10	8	6	6	10	0	-120	-250	15
10	18	0	-8	10	8	6	6	10	0	-120	-250	20
18	30	0	-10	13	10	8	8	13	0	-120	-250	20
30	50	0	-12	15	12	9	9	15	0	-120	-250	20
50	80	0	-15	19	19	11	11	20	0	-150	-380	25
80	120	0	-20	25	25	15	15	25	0	-200	-380	25
120	180	0	-25	31	31	19	19	30	0	-250	-500	30
180	250	0	-30	38	38	23	23	40	0	-300	-500	30
250	315	0	-35	44	44	26	26	50	0	-350	-500	35
315	400	0	-40	50	50	30	30	60	0	-400	-630	40

1) This value included.

2) It refers to isolated bearing ring for paired mounting or stack mounting.

Outer ring

Table 3.2

Deviations μm											
D mm	ΔDmp	VDp ³⁾		VDmp ³⁾				K_{ea}	ΔCs		VCs
		Open bearings		Shielded bearings ²⁾		max.	max.		high	low	
		Diameter series 7,8,9	0,1	2,3,4	2,3,4						
over	up to	high	low	max.	max.	max.	max.	max.	high	low	max.
2,5¹⁾	6	0	-8	10	8	6	10	6	15	Values are identical the to ΔBs and VBs for the inner ring of the same bearing.	
6	18	0	-8	10	8	6	10	6	15		
18	30	0	-9	12	9	7	12	7	15		
30	50	0	-11	14	11	8	16	8	20		
50	80	0	-13	16	13	10	20	10	25		
80	120	0	-15	19	19	11	26	11	35		
120	150	0	-18	23	23	14	30	14	40		
150	180	0	-25	31	31	19	38	19	45		
180	250	0	-30	38	38	23		23	50		
250	315	0	-35	44	44	26		26	60		
315	400	0	-40	50	50	30		30	70		
400	500	0	-45	56	56	34		34	80		

1) This value included.

2) For bearings of diameter series 7,8,9,0 and 1 values are not indicated.

3) Values are valid before mounting the snap ring or shields or after their dismounting.

Tolerance class P6 (ABEC 3)

Deviations μm		Inner ring										Table 3.3
d mm	Δdmp	V_{dp}		V_{dmp}		K_{ja}	ΔBs			V_{Bs}		
							all	normal	modified ²⁾	max.	max.	
over	up to	high	low	Diameter series		max.	max.	max.	high	low	max.	max.
				7,8,9	0,1	2,3,4						
0,6 ¹⁾	2,5	0	-7	9	7	5	5	5	0	-40		12
2,5	10	0	-7	9	7	5	5	6	0	-120	-250	15
10	18	0	-7	9	7	5	5	7	0	-120	-250	20
18	30	0	-8	10	8	6	6	8	0	-120	-250	20
30	50	0	-10	13	10	8	8	10	0	-120	-250	20
50	80	0	-12	15	15	9	9	10	0	-150	-380	25
80	120	0	-15	19	19	11	11	13	0	-200	-380	25
120	180	0	-18	23	23	14	14	18	0	-250	-500	30
180	250	0	-22	28	28	17	17	20	0	-300	-500	30
250	315	0	-25	31	31	19	19	25	0	-350	-500	35
315	400	0	-30	38	38	23	23	30	0	-400	-630	40

1) This value included.
2) It refers to isolated bearing ring for paired mounting or stack mounting.

Deviations μm		Outer ring										Table 3.4
D mm	ΔDmp	V_{Dp} ³⁾		V_{Dmp} ²⁾³⁾		K_{ea}	ΔCs		V_{Cs}			
							high	low	max.	max.		
over	up to	high	low	Open bearings		Shielded bearings		max.	max.	high	low	max.
				Diameter series		Diameter series						
				7,8,9	0,1	2,3,4	0,1,2,3,4					
2,5 ¹⁾	6	0	-7	9	7	5	9	5	8	Values are identical to ΔBs and V_{Bs} for the inner ring.		
6	18	0	-7	9	7	5	9	5	8			
18	30	0	-8	10	8	6	10	6	9			
30	50	0	-9	11	9	7	13	7	10			
50	80	0	-11	14	11	8	16	8	13			
80	120	0	-13	16	16	10	20	10	18			
120	150	0	-15	19	19	11	25	11	20			
150	180	0	-18	23	23	14	30	14	23			
180	250	0	-20	25	25	15		15	25			
250	315	0	-25	31	31	19		19	30			
315	400	0	-28	35	35	21		21	35			
400	500	0	-33	41	41	25		25	40			

1) This value included.
2) For bearings of diameter series 7,8 and 9 values are not indicated.
3) Values are valid before mounting the snap ring or shields or after their dismounting.

Tolerance class P5 (ABEC 5)

Deviations μm		Inner ring											Table 3.5	
d mm	Δdmp	Vdp		Vdmp	K_{ia}	S_d	$S_{ia}^{2)}$	ΔBs			VBs			
		all	norm.					modi- fied ³⁾						
over	up to	sup	low	max.	max.	max.	max.	max.	max.	high	low	low	max.	
0,6¹⁾	2,5	0	5	5	4	3	4	7	7	0	40	250	5	
2,5	10	0	5	5	4	3	4	7	7	0	40	250	5	
10	18	0	5	5	4	3	4	7	7	0	80	250	5	
18	30	0	6	6	5	3	4	8	8	0	120	250	5	
30	50	0	8	8	6	4	5	8	8	0	120	250	5	
50	80	0	9	9	7	5	5	8	8	0	150	250	6	
80	120	0	10	10	8	5	6	9	9	0	200	380	7	
120	180	0	13	13	10	7	8	10	10	0	250	380	8	
180	250	0	15	15	12	8	10	11	13	0	300	500	10	
250	315	0	18	18	14	9	13	13	15	0	350	500	13	
315	400	0	25	25	18	12	15	15	20	0	400	630	15	

1) This value included.

2) Applies only to ball bearings.

3) It refers to single bearing ring for paired mounting or stack mounting.

Deviations μm		Outer ring											Table 3.6	
D mm	ΔDmp	$\text{VDp}^{2)}$		VDmp	K_{ea}	S_D	$S_{ea}^{3)}$	ΔCs		VCs				
		all	norm.					high	low					
over	up to	high	low	max.	max.	max.	max.	max.	max.	high	low	max.		
2,5¹⁾	6	0	5	5	4	3	5	8	8	Identical to ΔBs for the inner ring		5		
6	18	0	5	5	4	3	5	8	8			5		
18	30	0	6	6	5	3	6	8	8			5		
30	50	0	7	7	5	4	7	8	8			5		
50	80	0	9	9	7	5	8	8	10			6		
80	120	0	10	10	8	5	10	9	11			8		
120	150	0	11	11	8	6	11	10	13			8		
150	180	0	13	13	10	7	13	10	14			8		
180	250	0	15	15	11	8	15	11	15			10		
250	315	0	18	18	14	9	18	13	18			11		
315	400	0	20	20	15	10	20	13	20			13		
400	500	0	23	23	17	12	23	15	23			15		

1) This value included.

2) Do not apply to shielded bearings.

3) Applies only to ball bearings.

Tolerance class P4 (ABEC 7)

Deviations μm		Inner ring											Table 3.7
d mm	$\Delta\text{dmp}, \Delta\text{ds}^2)$		Vdp		Vdmp	Kia	Sd	$\text{Sia}^3)$		ΔBs		VBs	
	over	up to	high	low	max.	max.	max.	max.	max.	high	low	low	max.
0,6 ¹⁾	2,5	0	-4	4	3	2	2,5	3	3	0	-40	-250	2,5
2,5	10	0	-4	4	3	2	2,5	3	3	0	-40	-250	2,5
10	18	0	-4	4	3	2	2,5	3	3	0	-80	-250	2,5
18	30	0	-5	5	4	2,5	3	4	4	0	-120	-250	2,5
30	50	0	-6	6	5	3	4	4	4	0	-120	-250	3
50	80	0	-7	7	5	3,5	4	5	5	0	-150	-250	4
80	120	0	-8	8	6	4	5	5	5	0	-200	-380	4
120	180	0	-10	10	8	5	6	6	7	0	-250	-380	5
180	250	0	-12	12	9	6	8	7	8	0	-300	-500	6

1) This value included.
2) Applies only to bearings of diameter series 0,1,2,3 and 4.
3) Applies only to ball bearings.
4) It refers to single bearing ring for paired mounting or stack mounting.

Deviations μm		Outer ring											Table 3.8
D mm	$\Delta\text{Dmp}, \Delta\text{Ds}^2)$		$\text{VDp}^3)$		VDmp	Kea	SD	$\text{Sea}^4)$		ΔCs		VCs	
	over	up to	high	low	max.	max.	max.	max.	max.	high	low	max.	
2,5 ¹⁾	6	0	-4	4	3	2	3	4	5	Identical to ΔBs for the inner ring		2,5	
6	18	0	-4	4	3	2	3	4	5			2,5	
18	30	0	-5	5	4	2,5	4	4	5			2,5	
30	50	0	-6	6	5	3	5	4	5			2,5	
50	80	0	-7	7	5	3,5	5	4	5		3		
80	120	0	-8	8	6	4	6	5	6		4		
120	150	0	-9	9	7	5	7	5	7		5		
150	180	0	-10	10	8	5	8	5	8		5		
180	250	0	-11	11	8	6	10	7	10		7		
250	315	0	-13	13	10	7	11	8	10		7		
315	400	0	-15	15	11	8	13	10	13		8		

1) This value included.
2) Applies to bearings of diameter series 0,1,2,3 and 4.
3) Do not apply to sealed and shielded bearings.
4) Applies only to ball bearings.

Bearing Lubrication

Safe operating and long rating life of bearings depend on the lubricant type and quality and on the lubrication method. Bearing lubrication is used for certain purposes, such as:

- to reduce friction between rolling elements and raceway, rolling elements and cage, cage and guiding ribs of rings during operation;
- to ensure anticorrosive protection of bearings;
- to reduce noise in bearing within certain limits;
- to distribute heat uniformly in contact areas and to remove it outside through lubricant circulation.

Lubricants for bearing lubrication should satisfy the following conditions:

- they should have physical and chemical stability;
- foreign mechanical substances (abrasive, metallic substances etc.) are not admitted in lubricant;
- they should have a minimal coefficient of friction;
- to be non-corrosive;
- good unctuosity (lubricating capacity).

There are two categories of lubricants used for bearing lubrication:

- fluid lubricants (oils);
- pseudoplastic lubricants (greases).

Table 5.1 shows comparison between fluid and pseudoplastic lubricants.

Although fluid lubricants have better characteristics than plastic lubricants, they cannot be used in all cases because of sealing difficulties.

Comparative values for lubricants

Table 5.1

Characteristics	Lubricant Fluid	Pseudoplastic
speed	any value	low and medium
friction	low (reduced)	high
unctuosity	excellent	good
service life	long	short
cooling effect	high	low
replacement	easy	difficult

Selection of lubricants

When selecting lubricants, much care is needed and all operating conditions and lubricant properties should be considered.

No lubrication system can be considered universal.

The most important criteria when selecting a lubricant have to be as follows:

- size of bearing
- load
- speed
- bearing operating temperature

These characteristics act upon lubricant viscosity as follows:

- the higher the bearing size, value of load and temperature, the higher the viscosity
- bearing speed acts by product $D_m n$, as shown in table 5.2.

Corelation between $D_m n$ and lubricant type

Table 5.2

$D_m n$ over	up to	Lubricant type
–	150×10^3	Mineral oil and grease with medium or high viscosity
150×10^3	300×10^3	Mineral oil with medium viscosity and grease
300×10^3	500×10^3	Mineral oil with low viscosity and grease
500×10^3	$1\ 200 \times 10^3$	Mineral oil with low viscosity and lubricating equipment

Grease Lubrication

Grease can be used to lubricate rolling bearings only when product $D_m n \leq 500 \times 10^3$ and it offers the following advantages:

- it is more easily retained in the bearing;
- it assures anti-corrosive protection to bearing as it is water-resistant;
- low expenses for sealing.

The grease quantity to be supplied shouldn't be excessive, otherwise rotation is braked, friction increases as does operating temperature without extending the bearing rating life.

The quantity of grease that is to be inserted in bearing seating should be as follows, considering the free space inside the housing:

- $\frac{1}{2}$... $\frac{3}{4}$ of the free space in the housing, in case of normal speeds;
- $\frac{1}{3}$ of the free space in the housing, in case of high speeds and speed limit;
- the whole housing space should be free, in case of low speeds and product $D_m n < 10 \times 10^3$.

The quantity of grease can be calculated as a function of bearing bore diameter using the equation:

$$G = K d^{2.5}, g.$$

where:

- K = 1/900 - for ball bearings
- K = 1/350 - for roller bearings
- d = bore diameter, mm

Relubrication intervals in most cases can be experimentally determined and depend on:

- bearing type
- bearing size
- operating temperature
- grease properties

Grease service life and relubricating interval can be calculated from:

$$T_{ur} = k_0 \left(\frac{14 \times 10^6}{n \sqrt{d}} - 4d \right) f_1 f_2$$

where:

- T_{ur} = service life for relubricating interval, in operating hours
- k_0 = coefficient depending on the bearing type, table 5.3
- n = speed, r/min
- d = bore diameter, mm
- f_1 = temperature factor, table 5.4
- f_2 = factor depending on the operating conditions, table 5.5

Values for coefficient k_0

Table 5.3

Bearing type	Value of k_0 Relubrication interval service life	Grease
Angular contact ball bearings		
Tapered roller bearings		
Thrust ball bearings	1	2
Cylindrical roller bearings	5	15
Needle roller bearings		
Deep groove ball bearings	10	20...40

Values for factor f_1

Table 5.4

Temperature	70°C	85°C	100°C
Factor f_1	1	0,5	0,25

Values for factor f_2

Table 5.5

Operating conditions	Light	Moderate	Hard	Very hard
Factor f_2	1	0,7...0,9	0,4...0,7	0,1...0,4

Low values are valid for deep groove ball bearings with shields, ZZ. type, or with seals, 2RS type, series 60, 62 and 63.

Bearing relubrication interval can be also determined using the chart fig. 5.1, as a function of bearing type, bore diameter and speed.

Example:

A bearing 6208-2RS is operated under reduced load (it is not considered for calculation), at a speed $n = 1500$ r/min, at a temperature of +60deg C, light operating conditions. What is the grease service life and relubrication interval?

Grease service life will be:

$$T_{ur} = k_0 \left(\frac{14 \times 10^6}{n \sqrt{d}} - 4d \right) f_1 f_2 = 32\,893 \text{ hours,}$$

$k_0 = 25$ from table 5.3

$d = 40$ mm

$f_1 = 1$, from table 5.4

$f_2 = 1$, from table 5.5

Relubrication interval:

$$T_r = k_0 \left(\frac{14 \times 10^6}{n \sqrt{d}} - 4d \right) f_1 f_2 = 13\,157 \text{ hours,}$$

$k_0 = 10$ from table 5.3

$f_1 f_2 = 1$, from table 5.4, 5.5.

Values for coefficient K

Table 5.6

Relubrication interval	K
weekly	0,0015...0,0020
monthly	0,0020...0,0030
yearly	0,0030...0,0045
after 2...3 years	0,0045...0,0055

From the diagram fig. 5.1, the value of the relubrication interval will be of 13 500 operating hours.

The grease quantity to be supplied can be determined using the equation:

$$G = K D B, g,$$

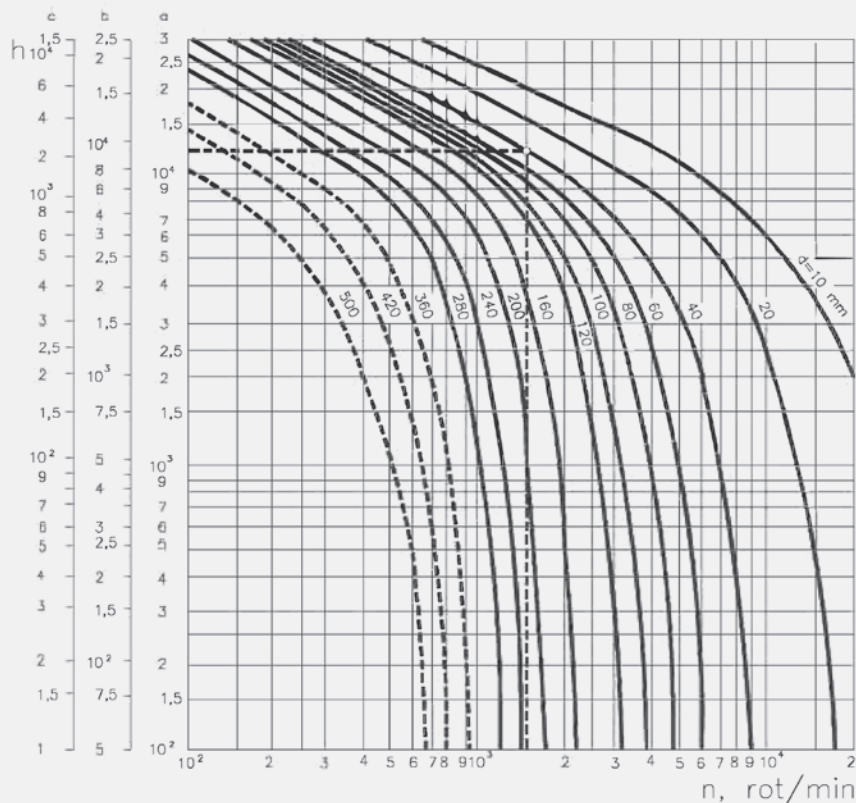
where:

G = grease quantity, g

K = coefficient depending on the relubrication interval, table 5.6

D = bearing outside diameter, mm

B = total bearing width for radial bearings, mm and total bearing height for thrust bearings, mm



Scale a; deep groove ball bearings
 Scale b; cylindrical roller bearings
 Scale c; spherical roller bearings, thrust ball bearings, roller thrust bearings, cylindrical roller bearings without cage.

Fig. 5.1

The chart in fig. 5.1 applies to operating temperatures which do not exceed +70°C. For operating temperatures over +70°C, see table 5.4.

Grease service life can be defined as the period of time when it preserves physical and mechanical characteristics in time and oxidizing due to temperature and vaporization of base oil doesn't occur.

A more accurate calculation of grease service life, considering grease quality and bearing operating conditions (load, size, speed, temperature etc.) can be done using the equation:

$$L = 10^a \cdot (m_1 + m_2 + m_3)$$

where:

L = service life, operating hours

a = exponent depending on the grease quality (a = 5,8...6,1)

m₁...m₃ = exponents which take into account the following factors:

$$m_1 = 4,4 \times 10^{-6} D_m n,$$

$$m_2 = 2,5(P/C - 0,05),$$

$$m_3 = (0,021 - 1,80 \times 10^{-6} D_m n)t,$$

D_m = bearing mean diameter, mm,

n = bearing speeds, r/min,

P = equivalent radial load, kN,

C = basic dynamic load, kN,

t = bearing operating temperature, °C

When calculating the values of t, D_m n and P/C, the following have to be considered:

- when bearing operating temperature is lower than +50°C, then t = +50°C

- when speed factor D_m n < 125 000, then D_m n = 125 000

- when ratio P/C < 0,05, then P/C = 0,05

Grease service life, as a function of operating temperature can be approximately determined using the diagram fig. 5.2.

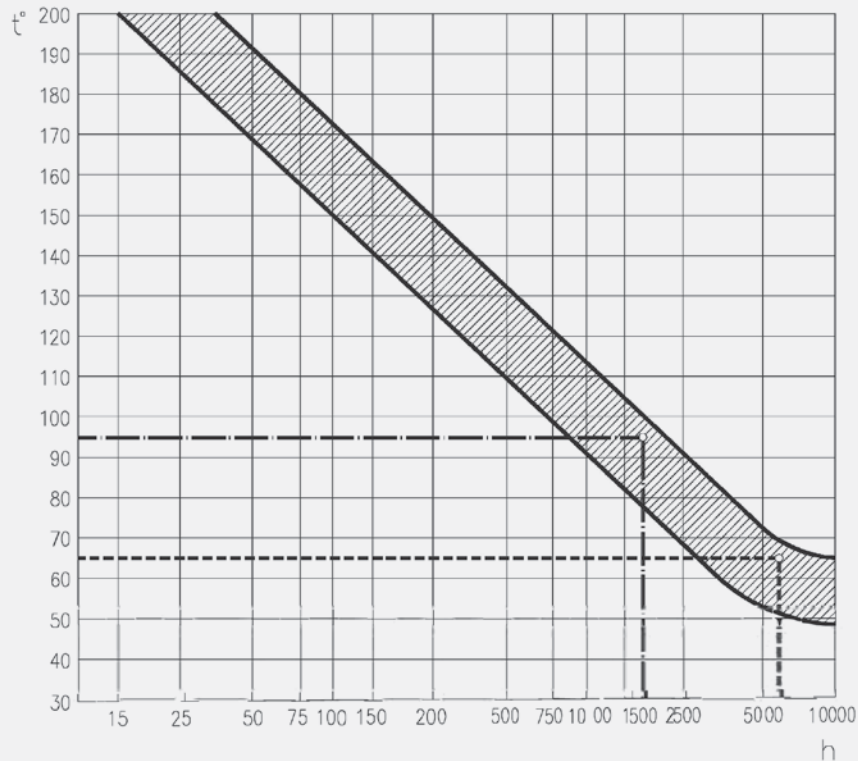


Fig.5.2

Example1

A bearing 6210 operates under a load $P_r = 5$ kN, speed $n = 3000$ r/min at an operating temperature $t = 50^\circ\text{C}$. What is the service life of the grease used for bearing lubrication?

$C_r = 35,1$ kN, tables on page 132, bearing 6210

$$L = 10^{a - (m_1 + m_2 + m_3)} = 10^{6,1 - 2,273} = 6214 \text{ hours}$$

$a = 6,1$, for Mobil grease,

$$D_m n = 65 \times 3\,000 = 195 \times 10^3$$

$$P_r / C_r = 5 / 35,1 = 0,143$$

$$m_1 = 4,4 \times 10^{-6} D_m n = 0,858$$

$$m_2 = 2,5 (P_r / C_r - 0,05) = 0,23$$

$$m_3 = (0,021 - 1,80 \times 10^{-8} D_m n) 65 = 1,119$$

$$m_1 + m_2 + m_3 = 2,273$$

Example2

For the same bearing and operating conditions as in Example 1, it is required to find the service life of the same grease at a temperature of $t = 95^\circ\text{C}$.

$$m_3 = 1,66$$

$$m_1 + m_2 + m_3 = 2,794$$

$$L = 10^{6,1 - 2,794} = 10^{3,306} = 1\,774 \text{ operating hours}$$

From the diagram fig. 5.2, we can find approximately the same value, respectively 6 000 operating hours at $+65^\circ\text{C}$ and 1700 operating hours at $+95^\circ\text{C}$.

Table 5.7 shows technical characteristics of typical greases, which are recommended for lubrication of sealed and shielded bearings, 2RS and ZZ types and also for rolling bearings in various assemblies and machines.

Technical characteristics for typical greases for bearing lubrication

Base Oil	Thickener	Dropping Point	Approx Temp Range	Application	Grease Type/Producer
Mineral Oil	Polyurea	260C	-40 to +177C	Bearings for electric motors, generators, high temperature pumps, and applications requiring low noise output <ul style="list-style-type: none"> • Small and medium sizes • Light Loads • High Speeds 	Mobil Polyrex EM
Mineral Oil	Aluminum Complex	260C	-20 to +120C	Bearings for food processing and pharmaceutical machinery, conveyor bearings, oven and freezer applications <ul style="list-style-type: none"> • Heavy or shock loading • High speeds • High rust inhibition 	Mobil FM222
Synthetic Oil (Diester)	Lithium Soap	190C	-50 - +150C	Ball bearings <ul style="list-style-type: none"> • Miniature sizes • Light loads • High speeds 	Kyodo Yushi Multemp SRL
Mineral Oil	Polyurea	243C	-30 to +177C	Ball and roller bearings for heavy equipment, HVAC	Chevron SRI-2
Mineral Oil	Lithium Soap	196C	-20 to +120C	Ball & roller bearings, ball bearing Inserts operating at low to high speeds	Sinopec Hangu
Mineral Oil	Lithium Soap	260C	-25 to +200C	Sealed ball bearings, ball bearing inserts running medium to high speeds in high temperature environments requiring low noise output. HVAC, high temperature motors.	Sinopec BLE
Mineral Oil	Lithium Soap	180C	-30 to +130C	Ball, roller and needle bearings for electric motors, water pumps	Shell Gadus S2 V100 (Formerly Alvania RL)
Synthetic Oil (ether based + polyolester)	Aromatic Diurea	230C	-40 to +200C	Bearings for automobile electric equipment, alternators, and electromagnetic clutches	Kyodo Yushi Multemp ET-K
Mineral Oil	Lithium Soap	180C	-30 to +120C	Heavy duty ball and roller bearings, heavy duty plain bearings operating under harsh conditions including shock loading and wet environments	Shell Gadus S2 V220 (Formerly Alvania EP), Mobilux EP2
Synthetic Hydrocarbon Oil	Synthetic (non-Soap)	232C	-54 to +177C	Spherical and cylindrical roller thrust bearings operating with high friction, plain bearings, splines, worm gears. Low to high speeds Excessive pressure (EP)	Mobilgrease 28

Oil lubrication

Oil lubrication can be used in any operating condition, but this kind of lubrication is compulsory when the value of the product $D_m n$ from table 5.2 is exceeded for grease, namely $D_m n > 500 \times 10^3$ and when high temperatures occur in bearing. Then, oil has to lubricate and to remove heat from bearing.

Oils used for bearing lubrication can be:

- mineral oils, used up to a temperature of +150°C
- synthetic oils, used up to a temperature of +220°C

For a proper lubrication of bearings, low quantities of lubricants are needed to reach the rolling elements.

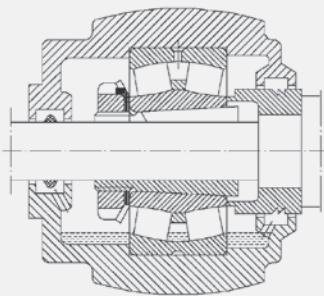
The lubricating systems must provide oil quantity necessary to prevent oil draining from bearing and heat removal in case of high speeds.

Most usual oil lubricating systems depending on factor $D_m n$ are given in table 5.8.

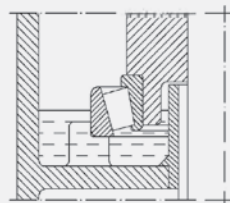
Oil lubricating systems

Table 5.8

Lubricating system	Operating conditions	Factor $D_m n$	Oil viscosity at 40°C (m ² /s)	Example in fig.
Oil bath	Bath is filled up to the lowest rolling element for horizontal shaft and 70-80% of bath width for vertical shaft	$< 250 \times 10^3$	$(17...300) \times 10^{-6}$	5.3 a), b)
Oil bath with external circulation	Central tank, oil circulates under a pressure of 1,5 MPa. High speeds.	$< 600 \times 10^3$	$(45...175) \times 10^{-6}$	5.4
Oil injection	Oil is injected into the operating area under a pressure of 0.1..0.5 MPa, with flow capacity of 0.5..10 l/min depending on temperature. Heavy loads and high speeds.	$< 900 \times 10^3$	$(13,5..80) \times 10^{-6}$	5.5
Oil spot	Oil in air current under a pressure of (0.05..0.5)MPa, flow capacity of (0,5..4) m ³ /hour, 0,5..4) m ³ /hour for small and medium-sized bearings, heavy loads and high speeds.	$< 1200 \times 10^3$	$(10...45) \times 10^{-6}$	5.6



a



b

Fig. 5.3

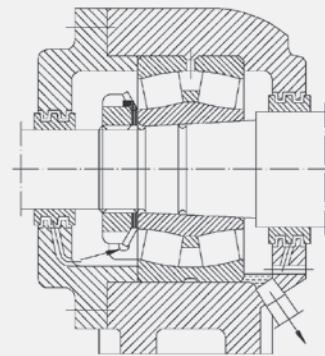


Fig. 5.4

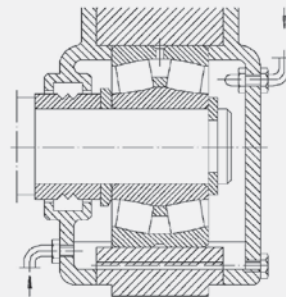


Fig. 5.5

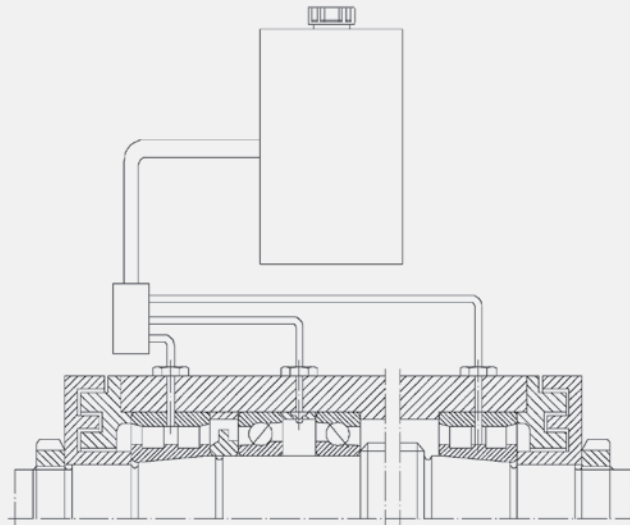


Fig. 5.6

Approximate values of oil kinematic viscosity at +40°C depending on the operating temperature are given in table 5.9.

Table 5.10 shows oils which are recommended by ISO for bearing lubrication. Values of kinematic viscosity at +40°C, mm²/s are also given.

Corelation between viscosity and temperature

Table 5.9

Temperature t °C		Viscosity at 40°C, cSt
over	up to	
–	50	12...60
50	80	37...75,5
80	120	> 75,5
120	150	227

Diagram fig. 5.7 shows kinematic viscosity classes at 40°C in accordance with ISO, its variation depending on the operating temperature (t °C) in relation to speed and bearing mean diameter (D_M).

Example

A bearing 6204 is to operate under a speed n = 2 000 r/min at a temperature t = +65°C. D_M = 0,5 (d + D) = 35,5 mm.

The viscosity of the oil for bearing lubrication is required.

From the diagram, for D_M = 35,5 mm, we can find viscosity at +65°C, ν₁ = 13 cSt and viscosity at + 40°C, ν = 32 cSt.

Recommended oils by ISO standards

Table 5.10

Class ISO	Kinematic viscosity at +40°C, mm ² /s (cSt)		
	mean	low	high
ISO VG 2	2,2	1,98	2,42
ISO VG 3	3,2	2,88	3,52
ISO VG 5	4,6	4,14	5,06
ISO VG 7	6,8	6,12	7,48
ISO VG 10	10	9	11
ISO VG 15	15	13,5	16,5
ISO VG 22	22	19,8	24,2
ISO VG 32	32	28,8	35,2
ISO VG 46	46	41,4	50,6
ISO VG 68	68	61,2	74,8
ISO VG 100	100	90	110
ISO VG 150	150	135	165
ISO VG 220	220	198	242
ISO VG 320	320	288	352
ISO VG 460	460	414	506
ISO VG 680	680	612	748
ISO VG 1 000	1 000	900	1 100
ISO VG 1 500	1 500	1 350	1 650

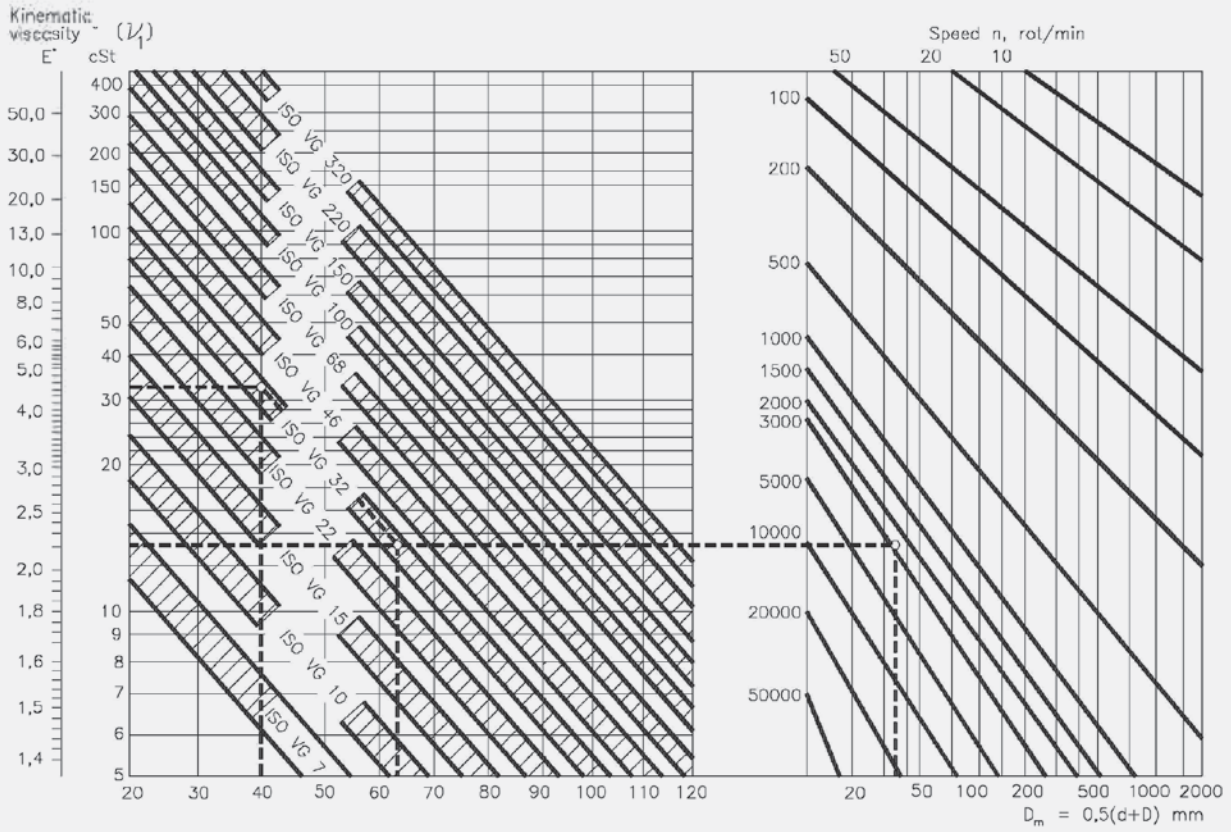


Fig. 5.7

Bearing designation

The purpose of designation is that of identification of bearings, so that bearings with the same designation to be interchangeable both dimensionally and operationally, no matter who the producers may be. Designations of TRITAN rolling bearings are in accordance with those used by world-known bearing companies.

The complete designation of a bearing consists of a basic design and may include one or more supplementary designations (prefixes and suffixes), as shown in chart fig.6.1. Note: designation applies to naked rolling bearings including insert bearings. Mounted bearings and plain bearings utilize a separate designation matrix.

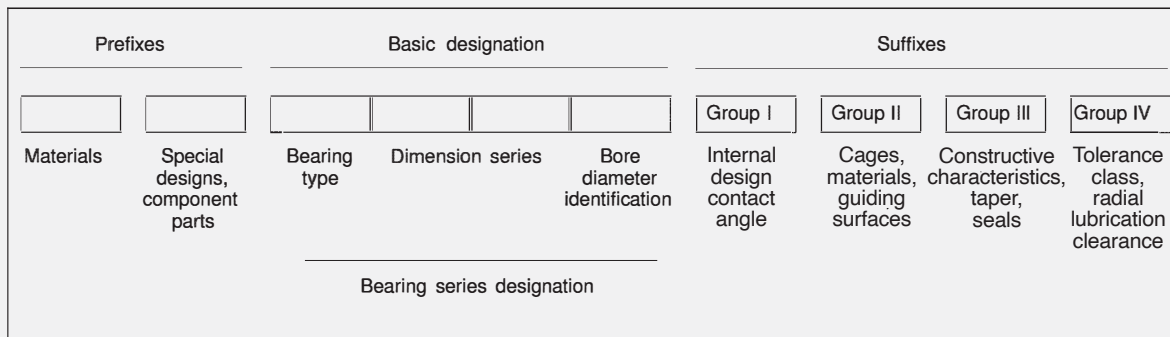


Fig. 6.1

The basic designation consists of an identification of the type of bearing (figure or letter), the series designation, in accordance with ISO and the bore diameter identification.

The designations of the bearing type and dimension series, for main standardized bearing types, are given in table 6.1.

Bore diameter identification consists of one, two or more figures as follows:

- bore diameter from 1 to 9 mm

- one figure, representing the bore diameter (e.g. 623, 608);

- bore diameter from 10 to 495 mm

- two figures, as follows: 00 for 10 mm, 01 for 12 mm, 02 for 15 mm, 03 for 17 mm, 04 and up to 99 for bore diameter from 20 to 495 mm. (bore diameter= bore diameter identification x 5, e.g. 6230, d = 150 mm);



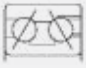
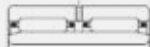




- bore diameter of 500 mm and over 500 mm

- is stated directly separated by a slash, the same applies to the values which are not perfect multiples of 5, or if they include a decimal point (e.g. 619/500, 230/530).

Tapered roller bearings with inch dimensions listed in this catalog make an exception from this rule.

Designation of the type and dimension series for the standardized bearings

Table 6.1

Bearing design	Bearing type identification	Series designation	Example	
	6	0 1 2	6208	
		4 18 19	61910	
	1 2	2 3	1205 2205	
		7	0 2 3	7005C 7210B 7305A
	3 4 5	0 2 3	3003 4205 5306	
		NU	2 52	NU208 NU5210
		NA	48 49	NA4905 NA4822
	NA	69	NA6910	
	2	13 22 23	22216 23130 24024	
		30 31 32		
		40 41		
	3	02 03 13	30205 32208 32924	
		22 23 29		
	5	11 12	51115 51212	
		13 14		
	5	22 23 24	52205 52308 52405	

Prefixes

Prefixes are letter-identifications which indicate the material, other than steel for bearings or component parts of bearing.

Prefixes for materials

C - ceramic etc. (e.g. C6205)

SS - stainless steel (e.g. SS6202)

Prefixes for special designs or parts of bearings

F - flanged outer diameter (e.g. SSFR4, FR8 2 RS)

CB - ceramic balls, steel rings (e.g. CB6210)

Suffixes

Suffixes are used to identify various constructive modifications of the bearing in comparison to normal design. They are classified in four different groups, as follows:

Group I - Modifications of internal design, design with increased basic load (e.g. A, C, E etc.), contact angle (e.g. A, B, C) and others.

Group II - Modifications of cage design, material, guiding surfaces etc. (e.g. 6205TN, NU310M).

Group III - Modifications of external design, tapered bore, groove on outer ring etc. (e.g. 1210K, 6210NR, 63102RS).

Group IV - Modifications of normal design regarding tolerance classes, bearing radial or axial clearance, stability of dimensions at high temperatures, 6206, 2RSC3, 6210TP5.

These suffixes for bearing designation are listed considering the groups they belong to, at the beginning of each bearing group.

Mounting and dismounting

Proper operation of rolling bearings is also determined by a proper selection for the solution of mounting and dismounting, considering the type and size of bearing, fit, adequate tools for these operations, performance etc.

Rolling bearings are precision components and must be handled carefully when storing or mounting. Thus, the following conditions should be observed:

- storing in their original package, in dry room, temperature of $+18^{\circ}\text{C} \dots +20^{\circ}\text{C}$, maximum moisture degree of 60%
- handling bearings: storing and mounting should be carefully done so that original package is not damaged.
- bearings should be unpacked only when they are to be mounted, and need not be washed if original package hasn't been damaged.
- contact with adjacent parts must be accurate with no evidence of burrs or chips.

Mounting of bearings with cylindrical bore

Bearings with cylindrical bore which are to have tight fit on shaft or in housing respectively, will be mounted by mechanical, thermic or hydraulic means.

The pressing force should be transmitted only by the ring which is pressed on the shaft or into the housing bore. Transmission of force on rolling elements should be avoided as they can get deformed and premature damage can occur.

Special sleeves with one or two ribs, fig.7.1, a and b are used when mounting small and medium-sized bearings, which are to be mounted with transition fit. In case of self-aligning ball bearings or spherical roller thrust bearings, a plate is mounted for a proper location of the outer ring, as shown in fig. 7.2.

Mechanical or hydraulic presses are used as shown in fig. 7.3, in case of serial production so that force can be continuously and gradually applied.

For the mounting of bearings with clearance fit into a housing or on the shaft, the ring with transition or tight fit should be mounted first, after which the shaft-bearing assembly will be mounted into the housing as shown in fig. 7.4, a and b.

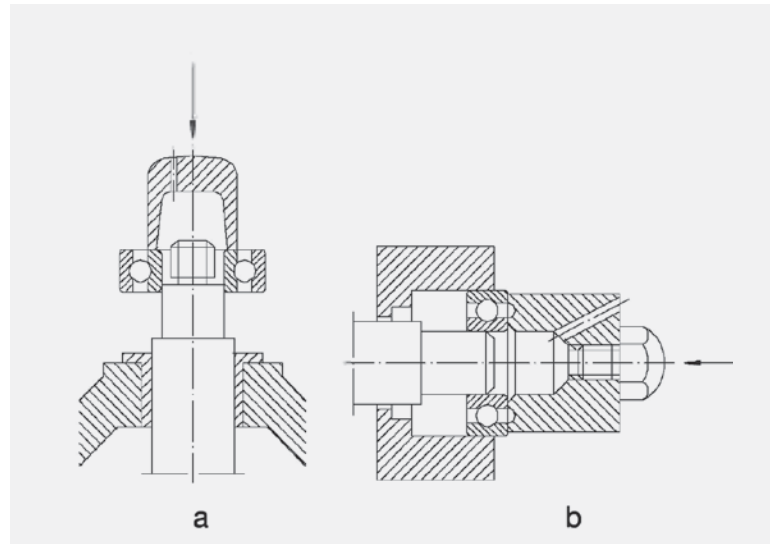


Fig. 7.1

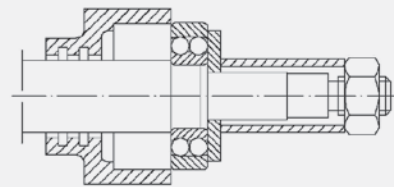


Fig. 7.2

In case of dismountable bearings, rings can be mounted separately - fig. 7.5, even if a tight fit is required for both rings.

The mounting of medium ($d > 50 \text{ mm}$) and large-sized bearings with tight fit, requires much greater pressing forces. That's why in this case heating of bearings up to $+80^{\circ}\text{C} \dots +110^{\circ}\text{C}$ should be used instead of pressing, excepting shielded bearings, ZZ type and sealed bearings, 2RS type.

To heat bearings, oil bath, electric range, thermic ring, or induction heating etc. can be used as shown in fig.7.6, a-d.

The device with thermic ring - fig.7.6 c consists of a split aluminium ring with three grips and cuts which make it be elastic.

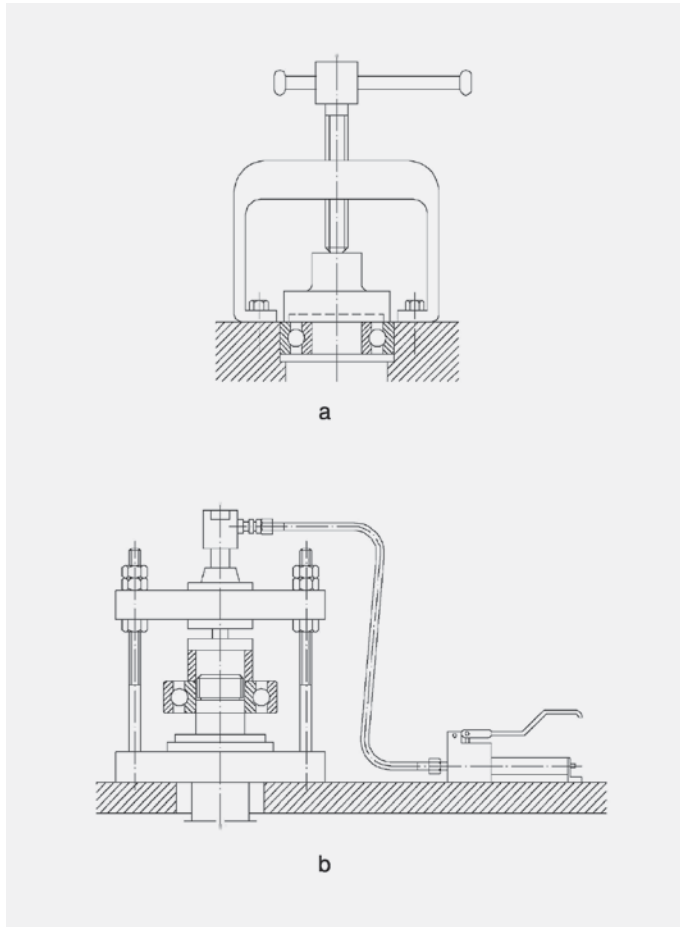


Fig. 7.3

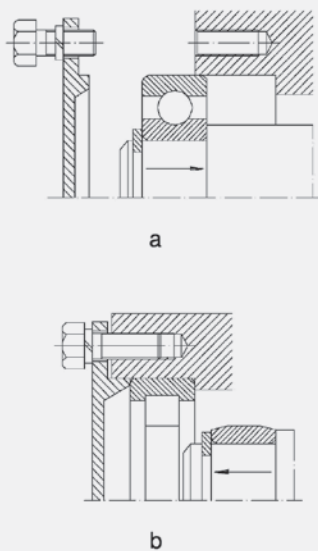


Fig. 7.4

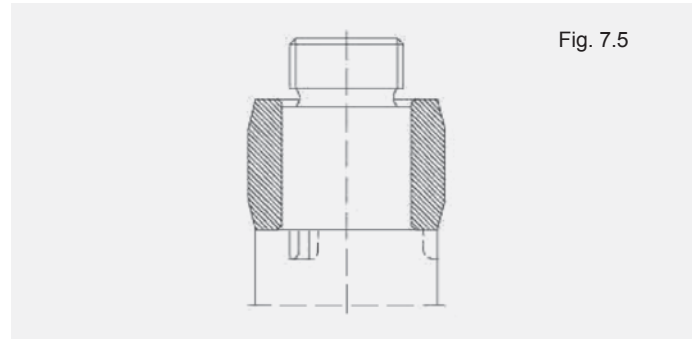


Fig. 7.5

Thermic ring bore diameter is equal to inner ring raceway diameter of dismountable bearings.

The ring outside diameter can be calculated using the equation:

$$D_{ex} = \sqrt{4d_1^2 - 3d^2}, \text{ mm,}$$

where:

D_{ex} = outside diameter of the thermic ring,

d_1 = diameter of the inner ring raceway, mm

d = bearing bore diameter, mm

The weight of the thermic ring is approximately equal to the weight of the bearing inner ring.

In case of large-sized roller bearings, heating can be done with induction devices. These devices consist of a coil inductor, thermal relays for temperature adjustment and timers. 380 V voltage and 50 - 60 Hz frequency inductors are used for bearings with bore diameter up to 200 mm. For larger-sized bearings, 20... 40 V voltage and 50 - 60 Hz inductors are used.

This device is schematically shown in fig. 7.6.d.

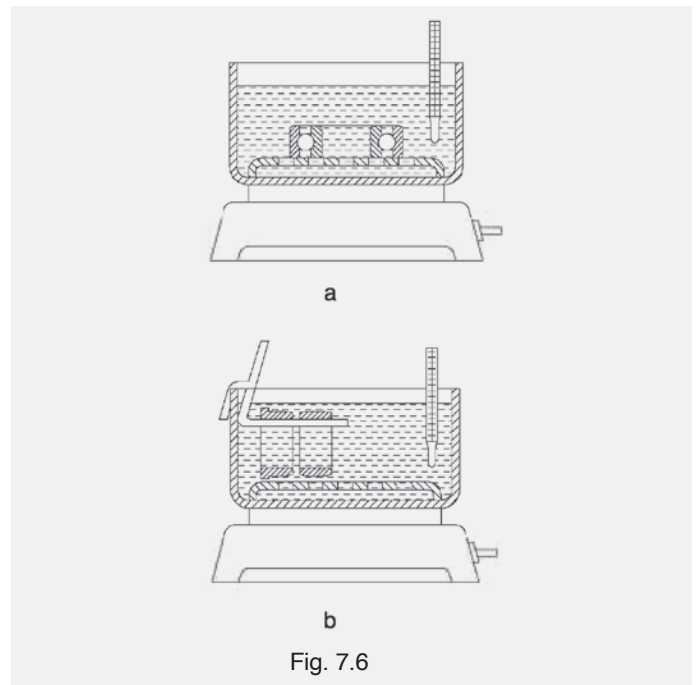


Fig. 7.6

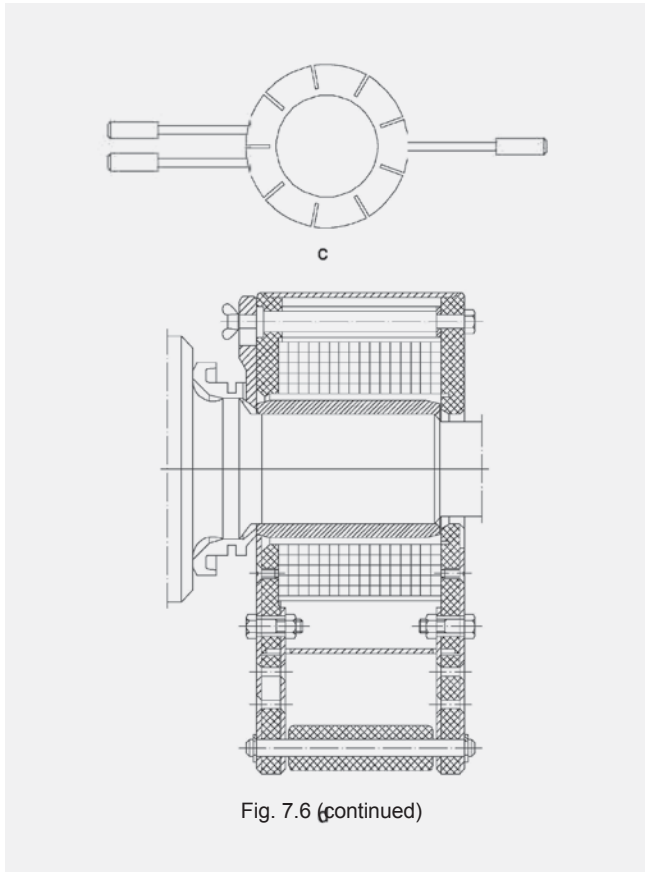


Fig. 7.6 (continued)

Mounting of bearings with tapered bore

Tapered bore bearings can be mounted directly on the shaft, on adapter sleeve or withdrawal sleeve. These bearings should always be mounted only with a tight fit. The tight fit can be done by an axial displacement of the bearing inner ring which is mounted directly on the tapered spindle of the shaft or by an axial displacement of the adapter or withdrawal sleeve.

The values of reduction in radial clearance are given in tables 7.1 and 7.2, as function of axial displacement on shaft of self-aligning ball bearings and spherical roller thrust bearings. After mounting the initial radial clearance is to be considered.

After mounting, radial clearance of radial and self-aligning ball bearings are in accordance with table 7.1.

The values of tightening are estimated by the values of the radial clearance reduction or of axial displacement. Axial displacement of the mounted bearing is measured by means of a limit gauge, as shown in fig. 7.7, a and b. The thickness of the limit gauge can be calculated from:

$$m = S - a$$

where:

m = thickness of the limit gauge, mm

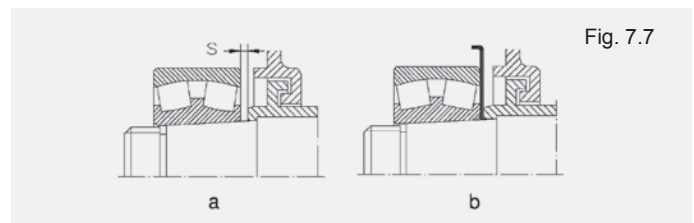


Fig. 7.7

S = distance initially measured, mm

a = axial displacement, from table 7.1, mm

Example

A bearing 22252, d = 260mm, taper 1:12, distance s=10mm, distance "a" from table 7.1 = 1,90mm, m = 10-1,9 = 8,10mm

Small-sized bearings with tapered bore which are to be mounted directly on the shaft or with adapter or withdrawal sleeves can be axially displaced by means of a nut as shown in fig. 7.8 b,c.

Medium-sized bearings can be axially displaced by means of a special nut as shown in fig. 7.9 and some screws. Then, the nut is to be dismantled and replaced with a nut for axial fastening.

Special hydraulic presses - fig. 7.10 or special hydraulic nuts - fig. 7.11 are used to mount medium and large-sized bearings.

Values for self-aligning ball bearings radial clearance, after mounting

Values in mm

Table 7.1

Bore diameter d	Reduction of radial clearance		Axial displacement "a", taper 1:12				Minimum radial clearance after mounting, in case of clearance group		
	low	high	on tapered shaft		on tapered sleeve		normal	C3	
over	up to	low	high	low	high	low	high	normal	C3
—	20	0,003	0,010	0,22	0,23	0,24	0,25	0,01	0,02
20	30	0,005	0,010	0,22	0,23	0,23	0,24	0,01	0,02
30	40	0,009	0,015	0,30	0,30	0,32	0,32	0,01	0,02
40	50	0,010	0,016	0,31	0,34	0,35	0,37	0,015	0,025
50	65	0,012	0,018	0,39	0,41	0,40	0,42	0,015	0,03
65	80	0,015	0,025	0,43	0,47	0,45	0,50	0,02	0,04
80	100	0,022	0,030	0,54	0,60	0,56	0,62	0,02	0,04
100	120	0,025	0,035	0,58	0,70	0,60	0,75	0,025	0,055

Values for spherical roller bearings radial clearance, after mounting

Values in mm

Table 7,2

Bore diameter d	Reduction of radial clearance	Axial displacement a, taper 1:12				Axial displacement "a", taper 1:30				Minimum radial clearance after mounting, in case of clearance group				
		on tapered shaft		on tapered sleeve		on tapered shaft		on tapered sleeve		Normal	C3	C4		
over	up to	low	high	low	high	low	high	low	high	low	high			
30	40	0,02	0,025	0,35	0,4	0,35	0,45	-	-	-	-	0,015	0,025	0,04
40	50	0,025	0,03	0,4	0,45	0,45	0,5	-	-	-	-	0,02	0,03	0,05
50	65	0,03	0,04	0,45	0,6	0,5	0,7	-	-	-	-	0,025	0,035	0,055
65	80	0,04	0,05	0,6	0,75	0,7	0,85	-	-	-	-	0,025	0,04	0,07
80	100	0,045	0,06	0,7	0,9	0,75	1	1,7	2,2	1,8	2,4	0,035	0,05	0,08
100	120	0,05	0,07	0,7	1,1	0,8	1,2	1,9	2,7	2	2,8	0,05	0,065	0,1
120	140	0,065	0,09	1,1	1,4	1,2	1,5	2,7	3,5	2,8	3,6	0,055	0,08	0,11
140	160	0,075	0,1	1,2	1,6	1,3	1,7	3	4	3,1	4,2	0,055	0,09	0,13
160	180	0,08	0,11	1,3	1,7	1,4	1,9	3,2	4,2	3,3	4,6	0,06	0,1	0,15
180	200	0,09	0,13	1,4	2	1,5	2,2	3,5	4,5	3,6	5	0,07	0,1	0,16
200	225	0,1	0,14	1,6	2,2	1,7	2,4	4	5,5	4,2	5,7	0,08	0,12	0,18
225	250	0,11	0,15	1,7	2,4	1,8	2,6	4,2	6	4,6	6,2	0,09	0,13	0,2
250	280	0,12	0,17	1,9	2,6	2	2,9	4,7	6,7	4,8	6,9	0,1	0,14	0,22
280	315	0,13	0,19	2	3	2,2	3,2	5	7,5	5,2	7,7	0,11	0,15	0,24
315	355	0,15	0,21	2,4	3,4	2,6	3,6	6	8,2	6,2	8,4	0,12	0,17	0,26
355	400	0,17	0,23	2,6	3,6	2,9	3,9	6,5	9	6,8	9,2	0,13	0,19	0,29

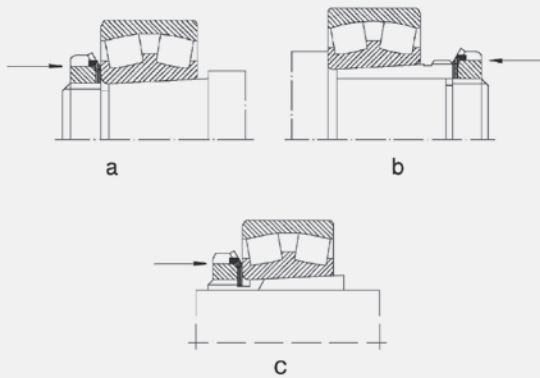


Fig. 7.8

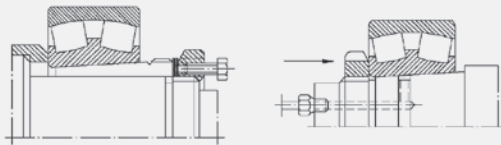


Fig. 7.9

Fig. 7.10

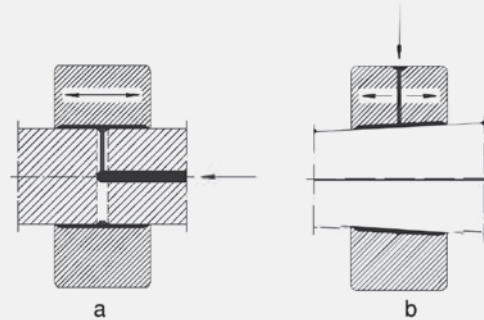


Fig. 7.11

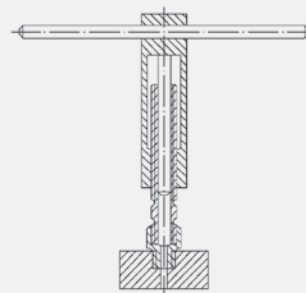


Fig. 7.12

To reduce the bearing displacing force in case of large-sized bearings, pressurized oil is to be introduced between the tapered surfaces of the shaft spindle, bearing and b, by means of an oil pump - fig.7.10 or oil injector - fig. 7.12. One or more grooves should be provided as shown in fig. 7.13, a and b so that oil can be distributed between the mounting surfaces.

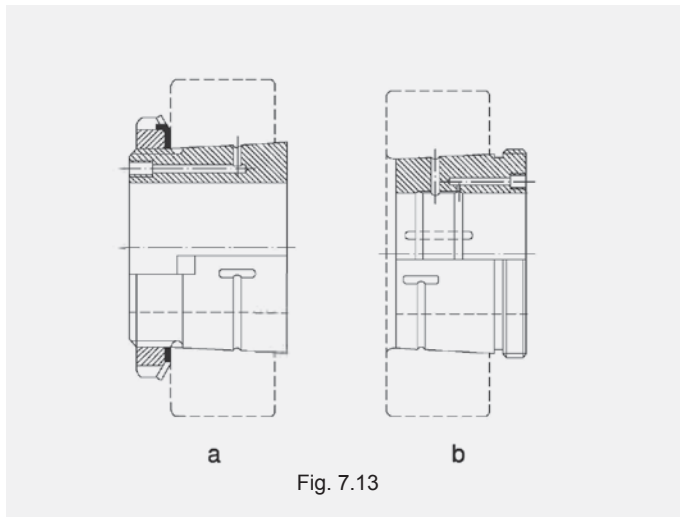


Fig. 7.13

Bearing dismounting

When bearings with tapered bore are to be dismounted from the shaft or housing, the succession of operations is inversely done than in case of mounting.

Thus, the assembly mounted with clearance fit or small tightening is to be dismounted first and then the parts mounted with greater tightening, as shown in fig. 7.14 and fig. 7.15.

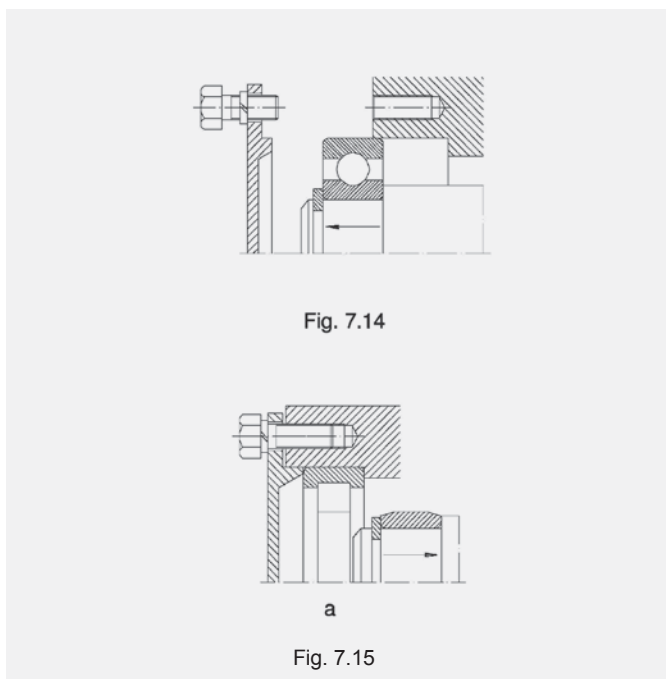


Fig. 7.14

Fig. 7.15

To use mechanical or hydraulic instruments, when dismounting bearings, a special design of the shaft and housing is required, as shown in fig. 7.16, a-c: withdrawal grooves (a) and (b), threaded bores (c), grooves for oil distribution, fig.7.13.

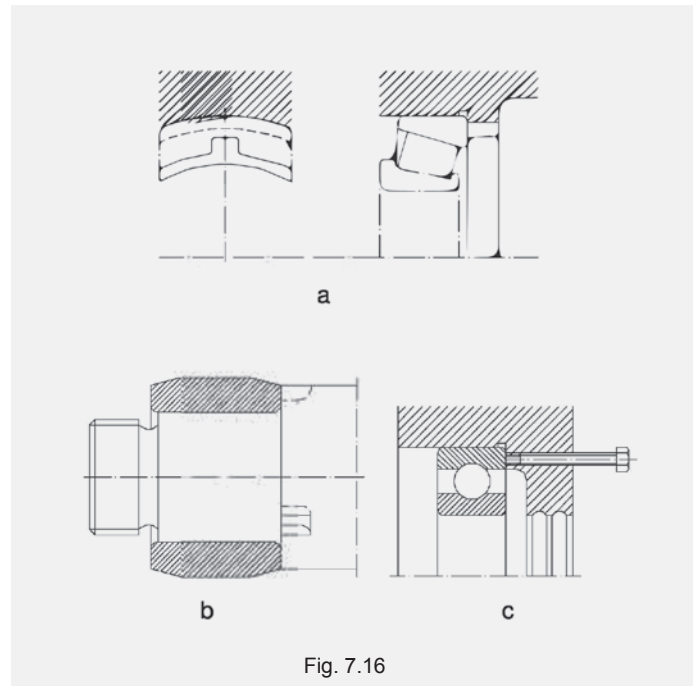


Fig. 7.16

Medium and small-sized bearings which are mounted with a tight fit are dismounted from the shaft by means of a soft steel or copper mandrel or by means of mechanical or hydraulic presses - fig.7. 17, a-c.

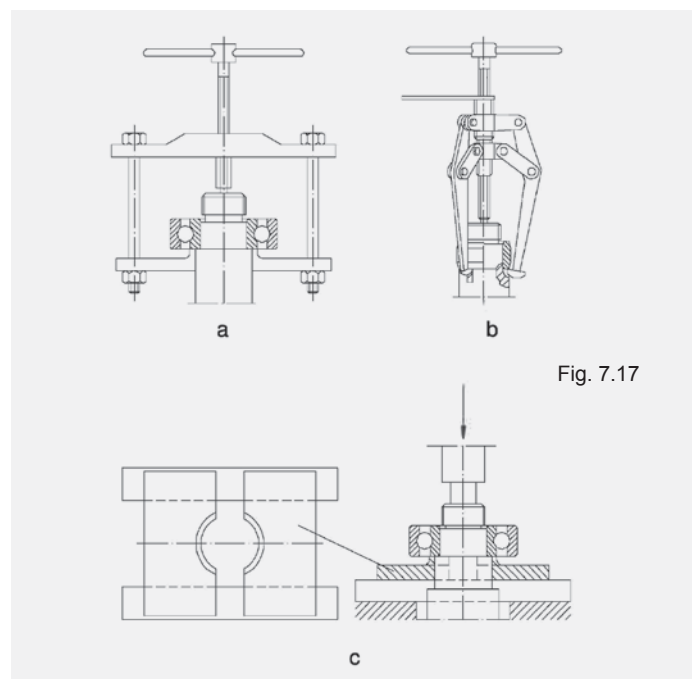
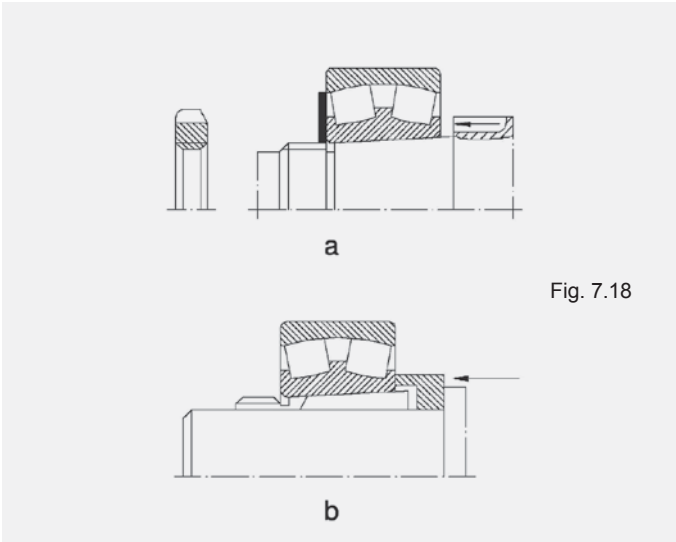


Fig. 7.17

To reduce the frictional force when dismounting large sized bearings which were mounted on shaft with tight fit, pressurized oil should be introduced, as in case of mounting - fig.7.11.

To dismount bearings with tapered bore, which were mounted directly on the shaft, or bearings which were mounted with withdrawal or adapter sleeves, the axially fastened nut should be first stripped. Then, dismantling is to be done by light hammering on the inner ring by means of a soft steel or copper mandrel, as shown in fig. 7.18, a and b.



In case of bearings mounted with withdrawal sleeves, a nut is to be screwed up on the threaded part provided for this purpose, as shown in fig. 7.19, a and b.

In case of large-sized bearings, hydraulic devices are used as in case of mounting.

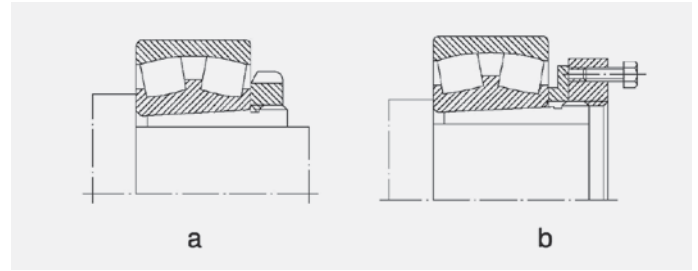


Fig. 7.18

Some solutions for dismounting bearings with tapered bore mounted directly on the shaft spindle, with adapter or withdrawal sleeve are given in fig. 7.20, a and b.

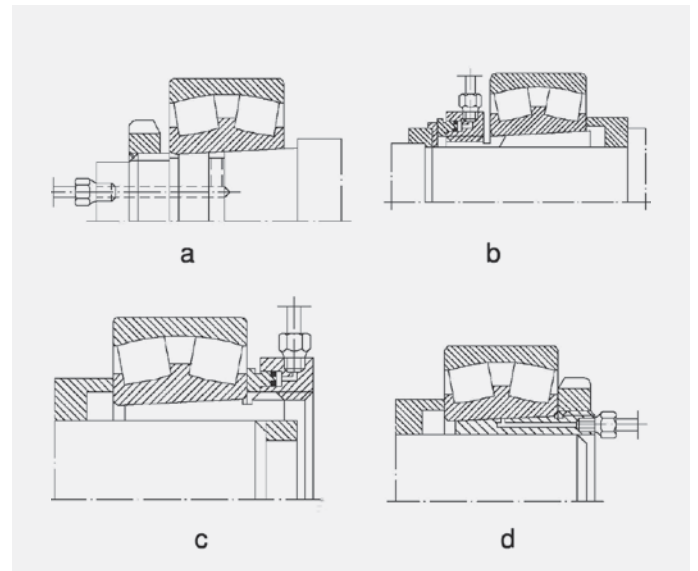


Fig. 11.20

TRITAN

PRECISION BEARINGS AND POWER TRANSMISSION COMPONENTS



Deep Groove
Ball Bearings

Deep groove ball bearings are manufactured in a varied range, both of standard design and various constructive versions.

These are used in a wide array of applications. Single row deep groove ball bearings are manufactured in many configurations as shown below.

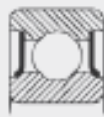


Z

ZZ

ZR

RS



2RS

2RSL

K

N

NR

Suffixes

- C2** - radial clearance smaller than normal (tight)
- C3** - radial clearance larger than normal
- C4** - radial clearance larger than C3 (loose)
- EE** - bearing with extended inner ring
- F** - machined cage of steel or cast iron guided in the outer ring
- K** - bearing with tapered bore
- M** - machined cage of brass guided on the rolling elements
- N** - circular groove for snap ring on the outer ring
- NR** - circular groove on the outer ring and snap ring
- PO** (ABEC 1) - normal tolerance class (it is not marked)
- P6** (ABEC 3) - tolerance class more accurate than normal
- P63** - tolerance class P6 and radial clearance C3
- P5** (ABEC 5) - tolerance class more accurate than P6

- P4** (ABEC 7) - tolerance class more accurate than P5
- RS** - bearing with seal on one side, with friction on the inner ring recess
- 2RS** - bearing with 2 seals, friction on the inner ring recess
- RSR** - bearing with seal on one side, friction on the rib of the inner ring
- 2RSL** - bearing with 2 seals, light contact on inner ring groove
- TN** - polyamide cage
- V** - bearing without cage
- Z** - bearing with shield and recess on the inner ring
- ZZ** - bearing with 2 shields and recess on the inner ring
- ZR** - bearing with shield and recess on inner ring

Deep Groove Ball Bearings

Sealed and shielded deep groove ball bearings

In case of bearings with non-rubbing shields, there is a small interstice between the shield and the rib of the inner ring; in case of bearings with seals, the oil resistant elastic rubber lip rubs on the groove on the inner ring side (2RSL) or directly on the outside surface (2RS).

Bearings sealed and shielded on both sides are delivered filled with high speed, noise dampening polyurea thickened grease and are used at temperatures between -40°F and +350°F . Bearings can also be greased with special greases, relubrication not being necessary. Washing or heating are not allowed before bearing mounting in the assembly.

Bearings with shields have been designed primarily for cases when the inner ring rotates. When the outer ring rotates, the lubricant can flow out of the bearing at a certain speed. In such cases, we recommend you consult our engineers.

Deep groove ball bearings with snap ring groove

Deep groove ball bearings, with snap ring groove on the outer ring can be located in the housing with snap rings.

Because of their simple and space saving mounting, these bearings simplify the assembly design. The groove for the snap ring and the snap rings are in accordance with ISO 464.

Stainless steel deep groove ball bearings

Deep groove ball bearings can be made of stainless steel, providing high resistance to corrosion, high stability, high

temperature and high resistance to chemicals. Inner rings, outer rings and balls are constructed of AISI 440C Martensitic stainless steel. The retainer, seals and shield utilize AISI 301 stainless providing the ultimate corrosion resistance in humid and caustic environments.

Stainless steel deep groove ball bearings are lubricated with a multipurpose FDA approved grease and are suitable for a wide variety of standard and specialized applications.

Dimensions

The overall dimensions of deep groove ball bearings are in accordance with the stipulations of ISO and ABMA (formerly AFBMA).

Misalignments

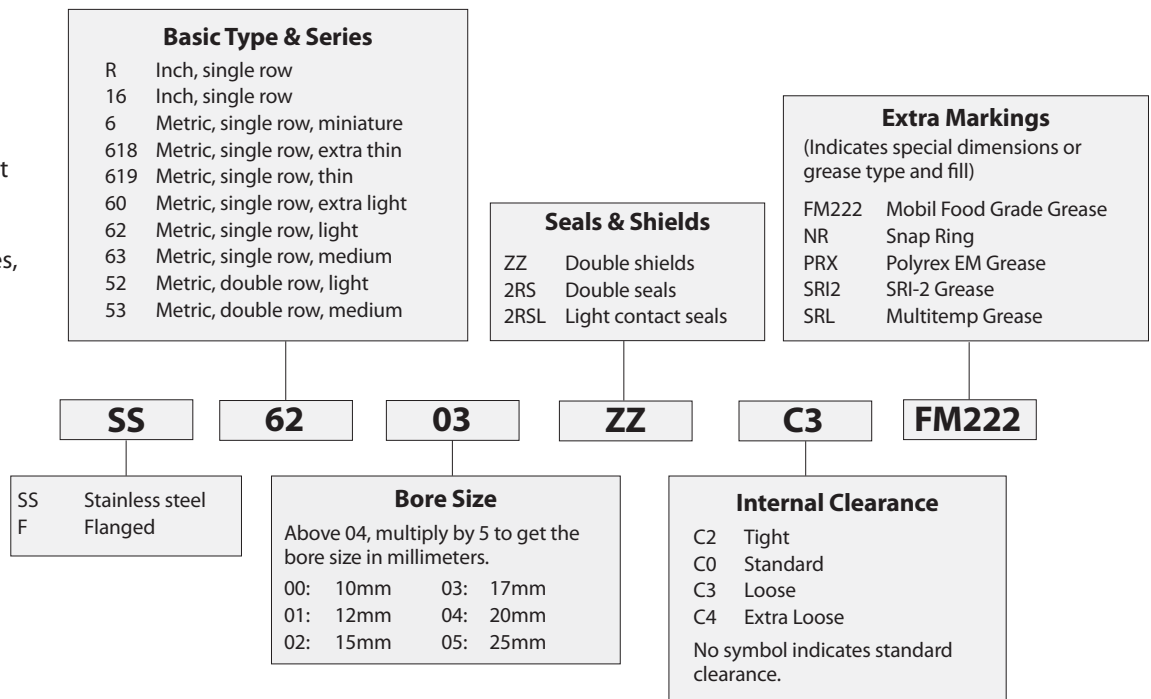
Deep groove ball bearings have limited abilities to compensate for bearing errors of alignment. The permissible misalignment between the outer ring and the inner ring, which will not produce inadmissible high additional loads in the bearing, depends on the bearing size, operational radial clearance, inner bearing design and also on the magnitude of loads and moments acting upon the bearing. Because of the complex relationship of these influence factors, definite and universally valid values of permissible misalignment cannot be determined .

Considering the above mentioned factors, under normal operation conditions the permissible misalignments are between 2 and 10 minutes of arc, depending on the bearing series and load.

It should be considered that misalignments of bearing rings in operation produce a considerably higher noise.

Part Number Nomenclature

Each TRITAN Deep Groove Ball Bearing part number is a unique combination indicating the bearing's type, series, internal clearance, bore size, seal and shields.



Tolerances

Deep groove ball bearings are generally manufactured to the normal tolerance class P0 (ABEC 1), however modern machinery often outputs bearings that comply with P6 (ABEC 3).

At request, they can also be manufactured to the tolerance classes P6, P5 or P4.

Radial and axial clearance

TRITAN deep groove ball bearings are generally manufactured with a C3 radial clearance. At request, they can also be manufactured with radial clearance tighter or looser than C3 according to ISO 5753. The values of radial clearance are given in table 1.

Radial clearance of deep groove ball bearings

Table 1

Bore diameter		Clearance group symbol for bearings with cylindrical bore									
		C2		Normal		C3		C4		C5	
d		Clearance group symbol for bearings with tapered bore									
over	up to	min.	max.	C2 min.	max.	Normal min.	max.	C3 min.	max.	C4 min.	max.
mm		µm									
2,5	10	0	7	2	13	8	23	14	29	20	37
10	18	0	9	3	18	11	25	18	33	25	45
18	24	0	10	5	20	13	28	20	36	28	48
24	30	1	11	5	20	13	28	23	41	30	53
30	40	1	11	6	20	15	33	28	46	40	64
40	50	1	11	6	23	18	36	30	51	45	73
50	65	1	15	8	28	23	43	38	61	55	90
65	80	1	15	10	30	25	51	46	71	65	105
80	100	1	18	12	36	30	58	53	84	75	120
100	120	2	20	15	41	36	66	61	97	90	140
120	140	2	23	18	48	41	81	71	114	105	160
140	160	2	23	18	53	46	91	81	130	120	180
160	180	2	25	20	61	53	102	91	147	135	200
180	200	2	30	25	71	63	117	107	163	150	230
200	225	2	35	25	85	75	140	125	195	175	265
225	250	2	40	30	95	85	160	145	225	205	300
250	280	2	45	35	105	90	170	155	245	225	340
280	315	2	55	40	115	100	190	175	270	245	370
315	355	3	60	45	125	110	210	195	300	275	410
355	400	3	70	55	145	130	240	225	340	315	460

Axial clearance and mounting preload of paired bearings series 60, 62, 63

Table 2

Bore diameter d		Axial clearance (suffix A)		Preload (suffix L)		
over	up to	min.	max.	Bearing series 60	62	63
mm		µm		N		
	10	15	35	30	30	
10	18	20	40	50	50	100
18	30	25	45	100	100	100
30	50	35	55	100	100	200
50	80	40	70	200	200	350
80	120	50	80	300	400	600
120	180	60	100	500	700	900
180	250	70	110	800	1000	1200

Cages

Deep groove ball bearings are generally fitted with cages of pressed steel sheet.

Cages of glass fiber-reinforced polyamide 6.6 are also suitable if the operating temperature doesn't exceed +120°C. They have reduced weight, low coefficient of friction and are noiseless in operation. Large-sized bearings are fitted with machined brass cages. Cage design and some technical data are given in table 3.









Bearing minimum radial load

A minimum load must be applied on a deep groove ball bearing so that they can operate correctly, especially in case of operating under heavy loads.

Deep Groove Ball Bearings

Cage design and technical data

Table 3

Cage	Design bearing	cage	Application	Max. value $D_m n$	
				oil	grease
Pressed sheet cage with fins			<ul style="list-style-type: none"> - General application - Bearings with $d < 10$ mm - Low frictional moment - Low inertia - Moderate speeds. 	550×10^3	450×10^3
Pressed cage of riveted sheet			<ul style="list-style-type: none"> - General application - Bearings with $d > 10$ mm - Low frictional moment - Low inertia - Moderate speeds. 	1000×10^3	550×10^3
Polyamide cage			<ul style="list-style-type: none"> - General application - Low frictional moment - High speeds 	1400×10^3	1100×10^3
Brass machined cage			<ul style="list-style-type: none"> - General application - Small bore bearings subjected to vibration conditions. - Large bore (150mm+) bearings 	1000×10^3	800×10^3

The forces of inertia which occur in bearing as well as the friction in lubricant influence negatively the operating conditions and can cause detrimental sliding movements between balls and raceways.

Minimum radial load depends on the bearing size, speed and lubricant viscosity at operating temperature. It can be roughly calculated from the equation:

$$F_{r \min} = 0,01 C_r \cdot (C_r = \text{basic dynamic radial load}).$$

Equivalent dynamic radial load

Deep groove ball bearings can take also radial and axial combined loads.

For deep groove ball bearings, single or paired in tandem arrangement DT, equivalent dynamic radial load can be calculated using the equation:

$$P_r = F_r, \text{ kN,} \quad \text{when } F_a/F_r \leq e$$

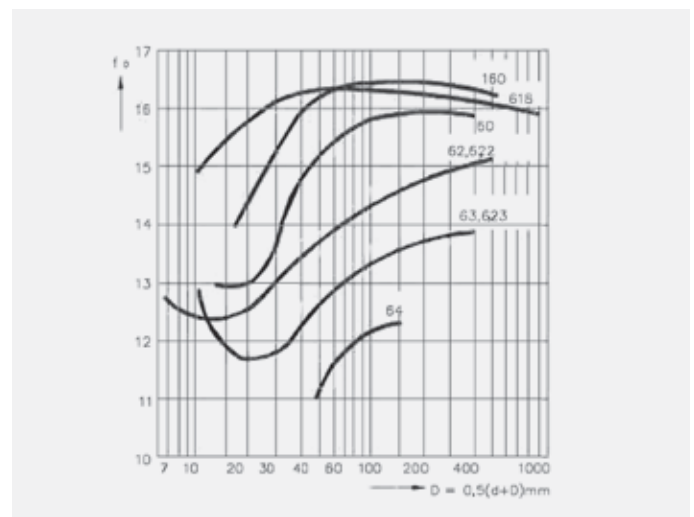
$$P_r = X F_r + Y F_a, \text{ kN,} \quad \text{when } F_a/F_r > e$$

The greater the axial load, the greater the contact angle of these bearings.

Factors e , X and Y depend on the ratio $f_0 F_a / C_{0r}$. Factor f_0 can be

determined using the diagram in the figure at right, as a function of dimension series and mean diameter $(d + D)/2$. F_a is the axial load and C_{0r} is the static basic load of the bearing.

The values of factors e , X , Y which depend on the bearing clearance can be determined from table 4, corresponding to the values of the ratio $f_0 F_a / C_{0r}$. The values in table 4 apply to bearings mounted with normal fit, i.e. shafts manufactured to tolerance class j5 or k5 and housing J6, respectively.



Calculation factors e, X and Y for deep groove ball bearings, single mounted or matched in tandem. **Table 4**

$f_0 F_a / C_{0r}$	Normal radial clearance			Radial clearance C3			Radial clearance C4		
	e	X	Y	e	X	Y	e	X	Y
0,2	0,19	0,56	2,25	0,32	0,46	1,77	0,38	0,44	1,44
0,4	0,22	0,56	1,95	0,34	0,46	1,63	0,42	0,44	1,36
0,8	0,26	0,56	1,68	0,38	0,46	1,44	0,45	0,44	1,25
1,6	0,31	0,56	1,40	0,43	0,46	1,27	0,48	0,44	1,16
3	0,37	0,56	1,20	0,48	0,46	1,14	0,52	0,44	1,08
6	0,44	0,56	1,02	0,54	0,46	1	0,56	0,44	1

The shoulder should have the proper height corresponding to maximum bearing mounting chamfer.

The values of the connection radius (r_u) and support shoulder height (h_u) as functions of mounting chamfers are given in table 6.

Axial load

If deep groove ball bearings are purely axial loaded, the axial load should not exceed $0,5 C_{0r}$. In case of small-sized bearings and bearings of light series (diameter series 8, 9, 0 and 1), the axial load should not exceed $0,25 C_{0r}$.

Heavy axial loads cause a significant decrease of bearing rating life. In such cases, we recommend you to consult our experts.

Abutment dimensions

For a proper location of bearing rings on the shaft shoulder and housing shoulder, respectively, maximum shaft (housing) connection radius r_u max should be less than minimum bearing mounting chamfer r_s min.

Abutment dimensions

Table 6

r_s min.	r_u max.	h_u min. Bearing series 618,619, 160	h_u min. 161,60, 62,63	64
mm				
0,15	0,15	0,4	0,7	–
0,2	0,20	0,7	0,9	–
0,3	0,30	1	1,2	–
0,6	0,60	1,6	2,1	–
1	1	2,3	2,8	–
1,1	1	3	3,5	4,5
1,5	1,5	3,5	4,5	5,5
2	2	4,4	5,5	6,5
2,1	2,1	5,1	6	7
3	2,5	6,2	7	8
4	3	7,3	8,5	10
5	4	9	10	12
6	5	11,5	13	15
7,5	6	14	–	–

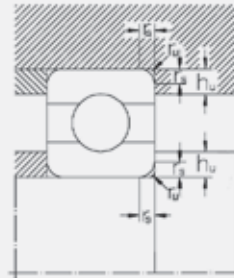


Table of Contents

Single Row Radial Deep Groove Ball Bearings Page 52

These are the most common and versatile bearings. Produced with metric dimensions, their simple non-separable design allows for use a wide variety of applications requiring little maintenance. The available sizes are sorted and listed by the bore dimensions and include dimensional and performance data for various common configurations including: Open, Double Sealed (2RS), Double Shielded (ZZ), and with Snap Ring (NR). Other configurations are also available. The following series of Single Row Deep Groove Ball Bearings are included:

61700 Series - Ext-Light-Narrow Series	6200 Series - Standard Duty
61800 Series - Light-Narrow Series	6300 Series - Medium Series
61900 Series - Narrow Series	6400 Series - Heavy Series
600 Series - Light Series	

Stainless Steel Single Row Radial Deep Groove Ball Bearings Page 65

These bearings share the same basic dimensional properties as standard Deep Groove Ball Bearings, but are produced of Stainless Steel providing a high-level of corrosion resistance for applications operating in demanding and/or corrosive environments. Most sizes are pre-lubricated with a multipurpose FDA approved grease to meet regulatory requirements in applications such as food and pharma.

Inch Series Single Row Deep Groove Ball Bearings Page 67

Standard Deep Groove Ball Bearings but produced with Inch dimensions:

R ZZ/2RS, 1600 ZZ/2RS, SS1600 2RS

Miniature Single Row Deep Groove Ball Bearings Page 70

Standard Deep Groove Ball Bearings produced with bore sizes from 1/8" (inch series), 3mm (metric)

600 ZZ/2RS, SS600 ZZ/2RS, L..ZZ, LF..ZZ, SSLF..ZZ SSR, SFR ZZ, SFR ZZEE, SSRI..ZZ, SSRIF ZZ, SSRIF ZZEE

Cartridge Type Single Row Radial Ball Bearings Page 76

Single Row ball bearings that follow the basic 6200/6300 dimensions except with special wider width to allow extra grease:

W200PP, W300PP

Single Row Angular Contact Ball Bearings Page 78

Designed to accommodate thrust or combination thrust and radial loads:

7200/7300B, 7200/7300BG, 7200/7300BMG

Double Row Angular Contact Ball Bearings Page 80

Designed to accommodate heavy radial loads, combined radial and thrust loads and 2 directional loads:

3000 2RS, 5200/5300 2RS, 5200/5300 ZZ, W5200 2RS

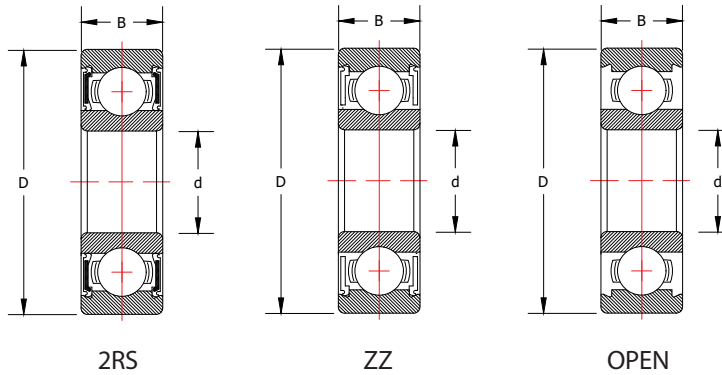
Self-Aligning Ball Bearings Page 82

Designed for light duty applications where misalignment may occur: 1200, 2200 2RS

Thrust Ball Bearings Page 83

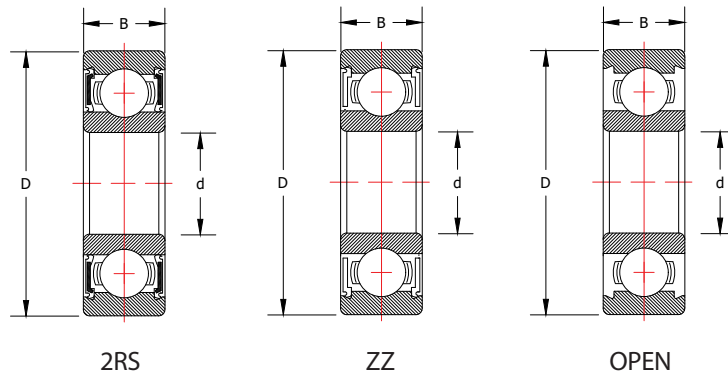
3 Piece and banded configurations designed to accommodate light to moderate thrust loads at low to medium speeds:

W, EW, XW, B, D, GT, 900, 2900, 3900 Series

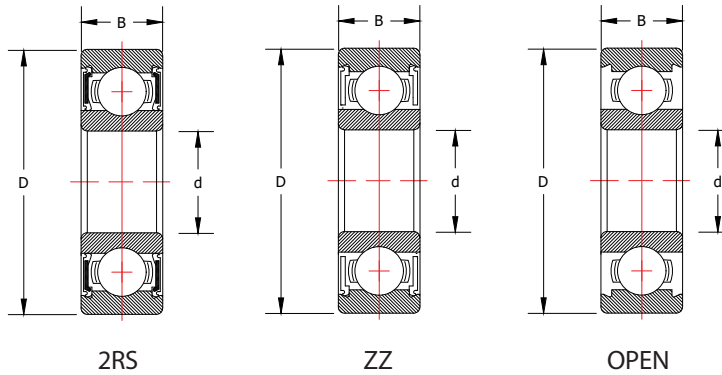


Dimensions			Bearing Designation	Basic Radial Load Factors		Speed Rating Grease (RPM)	Speed Rating Oil	Weight (Lbs)
d (mm)	D	B		Dynamic C (Lbs)	Static Co (Lbs)			
10	15	4	61700 2RS	193	495	30000	-	0.009
	15	4	61700 ZZ	193	495	32000	-	0.009
	19	5	61800	410	208	36000	43000	0.01
	19	5	61800 2RS	410	208	22000	-	0.01
	19	5	61800 ZZ	410	208	36000	-	0.01
	22	6	61900	610	290	35000	38000	0.02
	22	6	61900 2RS	610	290	20000	-	0.02
	22	6	61900 ZZ	610	290	35000	-	0.02
	26	8	6000	1030	440	32000	34000	0.04
	26	8	6000 2RS	1030	440	17000	-	0.04
	26	8	6000 ZZ	1030	440	32000	-	0.04
	26	8	6000 2RSNR	1030	440	17000	-	0.04
	26	8	6000 ZZNR	1030	440	29000	-	0.04
	30	9	6200	1150	540	24000	30000	0.07
	30	9	6200 2RS	1150	540	17000	-	0.08
	30	9	6200 ZZ	1150	540	24000	-	0.08
	30	9	6200 2RSNR	1150	540	17000	-	0.08
	30	9	6200 ZZNR	1150	540	24000	-	0.08
	35	11	6300	1820	780	26000	30000	0.12
	35	11	6300 2RS	1820	780	15000	-	0.12
35	11	6300 ZZ	1820	780	26000	-	0.12	
35	11	6300 2RSNR	1820	780	15000	-	0.12	
35	11	6300 ZZNR	1820	780	17000	-	0.12	
12	18	4	61701 2RS	209	532	27000	-	0.01
	18	4	61701 ZZ	209	532	29000	-	0.01
	21	5	61801	430	220	36000	38000	0.01
	21	5	61801 2RS	430	220	20000	-	0.01
	21	5	61801 ZZ	430	220	36000	-	0.01
	24	6	61901	650	330	27000	36000	0.02
	24	6	61901 2RS	650	330	19000	-	0.02
	24	6	61901 ZZ	650	330	27000	-	0.02
	28	8	6001	1150	540	32000	34000	0.05
	28	8	6001 2RS	1150	540	17000	-	0.05
	28	8	6001 ZZ	1150	540	32000	-	0.05
	28	8	6001 NR	1150	540	26000	34000	0.05
	28	8	6001 2RSNR	1150	540	17000	-	0.05
	28	8	6001 ZZNR	1150	540	26000	-	0.05
	32	10	6201	1530	690	25000	30000	0.08
	32	10	6201 2RS	1530	690	15000	-	0.09
	32	10	6201 ZZ	1530	690	25000	-	0.09

Deep Groove Ball Bearings

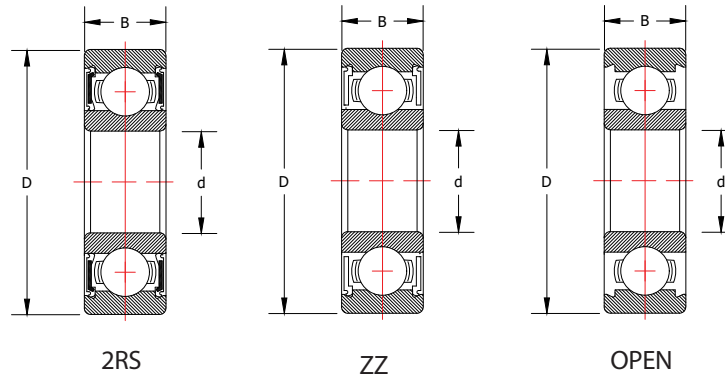


Dimensions			Bearing Designation	Basic Radial Load Factors		Speed Rating Grease (RPM)	Speed Rating Oil	Weight (Lbs)
d (mm)	D	B		Dynamic C (Lbs)	Static Co (Lbs)			
12	32	10	6201 2RSNR	1530	690	15000	-	0.09
	32	10	6201 ZZNR	1530	690	22000	-	0.09
	37	12	6301	2108	950	20000	28000	0.14
	37	12	6301 2RS	2108	950	14000	-	0.14
	37	12	6301 ZZ	2108	950	20000	-	0.14
	37	12	6301 2RSNR	2180	950	14000	-	0.14
13	32	10	6201X13 2RS	1530	690	14000	-	0.09
	32	10	6201X13 ZZ	1530	690	22000	-	0.09
15	21	4	61702 2RS	211	581	26000	-	0.01
	21	4	61702 ZZ	211	581	26000	30000	0.01
	24	5	61802	470	290	30000	34000	0.02
	24	5	61802 2RS	470	290	17000	-	0.02
	24	5	61802 ZZ	470	290	30000	-	0.02
	28	7	61902	980	510	24000	30000	0.04
	28	7	61902 2RS	980	510	16000	-	0.04
	28	7	61902 ZZ	980	510	24000	-	0.04
	21	4	61702 2RS	211	581	11000	-	0.01
	21	4	61702 ZZ	211	581	11000	-	0.01
	32	8	16002 ZZ	900	500	22000	-	0.06
	32	9	6002	1260	640	26000	30000	0.06
	32	9	6002 2RS	1260	640	14000	-	0.07
	32	9	6002 ZZ	1260	640	26000	-	0.06
	32	9	6002 2RSNR	1260	640	14000	-	0.06
	32	9	6002 ZZNR	1260	640	15000	-	0.06
	35	11	6202	1740	805	19000	23000	0.10
	35	11	6202 2RS	1740	805	14000	-	0.10
	35	11	6202 ZZ	1740	805	19000	-	0.10
	35	11	6202 2RSNR	1740	805	14000	-	0.10
	35	11	6202 ZZNR	1740	805	19000	-	0.10
	42	13	6302	2570	1230	18000	26000	0.19
	42	13	6302 2RS	2570	1230	11000	-	0.19
	42	13	6302 ZZ	2570	1230	18000	-	0.19
42	13	6302 2RSNR	2570	1230	13000	-	0.19	
16	35	11	6202X16 2RS	1740	805	14000	-	0.10
	35	11	6202X16 ZZ	1740	805	19000	-	0.11
	40	12	6203X16 2RS	2150	1080	14000	-	0.15

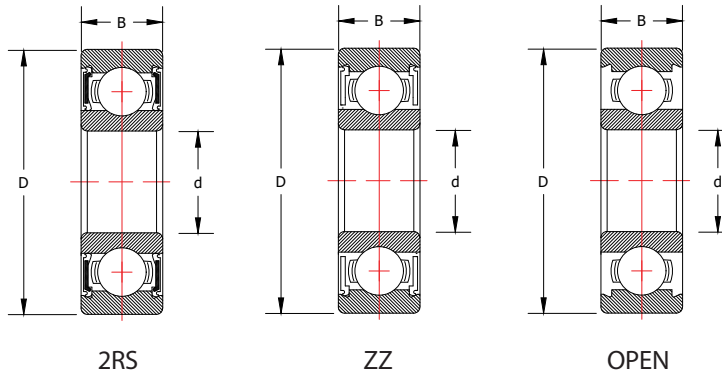


Dimensions			Bearing Designation	Basic Radial Load Factors		Speed Rating Grease (RPM)	Speed Rating Oil	Weight (Lbs)
d (mm)	D	B		Dynamic C (Lbs)	Static Co (Lbs)			
17	23	4	61703 2RS	225	657	24000	-	0.012
	23	4	61703 ZZ	225	657	28000	-	0.012
	26	5	61803	630	385	24000	30000	0.02
	26	5	61803 2RS	630	385	22000	-	0.02
	26	5	61803 ZZ	630	385	24000	-	0.02
	30	7	61903	1040	570	22000	26000	0.04
	30	7	61903 2RS	1040	570	20000	-	0.06
	30	7	61903 ZZ	1040	570	22000	-	0.04
	35	10	6003	1350	730	22000	26000	0.08
	35	10	6003 2RS	1350	730	13000	-	0.09
	35	10	6003 ZZ	1350	730	22000	-	0.08
	35	10	6003 2RSNR	1350	730	13000	-	0.08
	35	10	6003 ZZNR	1350	730	22000	-	0.08
	40	12	6203	2150	1080	15000	20000	0.14
	40	12	6203 2RS	2150	1080	11000	-	0.15
	40	12	6203 2RSB	2150	1080	11000	-	0.15
	40	12	6203 ZZ	2150	1080	15000	-	0.15
	40	12	6203 2RSNR	2150	1080	11000	-	0.15
	40	12	6203 ZZNR	2150	1080	11000	-	0.15
	47	14	6303	3060	1470	17000	25000	0.26
47	14	6303 2RS	3060	1470	11000	-	0.26	
47	14	6303 ZZ	3060	1470	17000	-	0.26	
47	14	6303 2RSNR	3060	1470	11000	-	0.26	
47	14	6303 ZZNR	3060	1470	11000	-	0.26	
62	17	6403 2RS	5000	2500	11000	-	0.65	
20	27	4	61704 2RS	227	722	18000	-	0.012
	27	4	61704 ZZ	227	722	24000	-	0.012
	32	7	61804	900	560	22000	26000	0.04
	32	7	61804 2RS	900	560	13000	-	0.04
	32	7	61804 ZZ	900	560	22000	-	0.04
	37	9	61904	1440	830	18000	22000	0.08
	37	9	61904 2RS	1440	830	12000	-	0.08
	37	9	61904 ZZ	1440	830	18000	-	0.08
	42	8	16004 ZZ	1800	1000	17000	-	0.11
	42	12	6004	2110	1140	18000	21000	0.14
	42	12	6004 2RS	2110	1140	11000	-	0.15
	42	12	6004 ZZ	2110	1140	18000	-	0.14
	42	12	6004 2RSNR	2110	1140	11000	-	0.14
	42	12	6004 ZZNR	2110	1140	18000	-	0.14

Deep Groove Ball Bearings

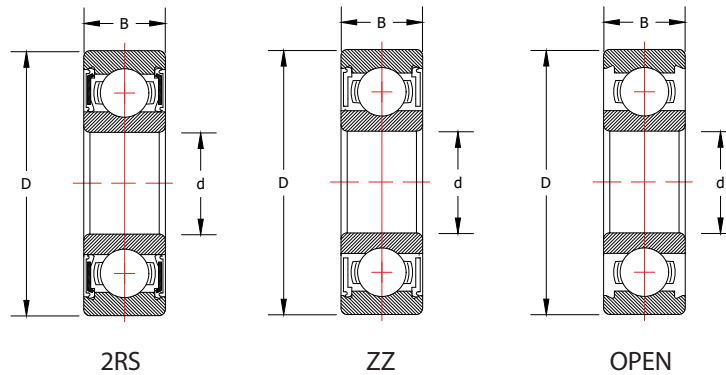


Dimensions			Bearing Designation	Basic Radial Load Factors		Speed Rating Grease (RPM)	Speed Rating Oil	Weight (Lbs)
d (mm)	D	B		Dynamic C (Lbs)	Static Co (Lbs)			
20	47	14	6204	2880	1490	15000	18000	0.23
	47	14	6204 2RS	2880	1490	11000	-	0.25
	47	14	6204 ZZ	2880	1490	15000	-	0.25
	47	14	6204 NR	2880	1490	15000	18000	0.25
	47	14	6204 2RSNR	2880	1490	10000	-	0.25
	47	14	6204 ZZNR	2880	1490	15000	-	0.25
	52	15	6304	3580	1780	15000	23000	0.32
	52	15	6304 2RS	3580	1780	9000	-	0.32
	52	15	6304 ZZ	3580	1780	15000	-	0.32
	52	15	6304 2RSNR	3580	1780	9000	-	0.32
	52	15	6304 ZZNR	3580	1780	10000	-	0.32
	72	19	6404 2RS	5800	3000	9000	-	0.90
72	19	6404 ZZ	5800	3000	10400	-	0.90	
22	44	12	60/22 2RS	2100	1400	11000	-	0.17
	50	14	62/22 2RS	2880	1490	11000	-	0.28
	56	16	63/22 2RS	3600	3000	9000	-	0.32
25	32	4	61705 2RS	247	838	7000	21000	0.030
	32	4	61705 ZZ	247	838	7000	22000	0.030
	37	7	61805	1010	710	19000	22000	0.05
	37	7	61805 2RS	900	560	13000	-	0.05
	37	7	61805 ZZ	1010	710	19000	-	0.05
	42	9	61905	1590	1020	15000	19000	0.09
	42	9	61905 2RS	1590	1020	10000	-	0.10
	42	9	61905 ZZ	1590	1020	15000	-	0.10
	47	12	6005	2260	1320	15000	18000	0.18
	47	12	6005 2RS	2260	1320	9000	-	0.18
	47	12	6005 ZZ	2260	1320	15000	-	0.18
	47	12	6005 2RSNR	2260	1320	9000	-	0.18
	47	12	6005 ZZNR	2260	1320	15000	-	0.18
	52	15	6205	3150	1770	13000	17000	0.28
	52	15	6205 2RS	3150	1770	8000	-	0.29
	52	15	6205 Z	3150	1770	13000	-	0.29
	52	15	6205 ZZ	3150	1770	13000	-	0.29
	52	15	6205 NR	3150	1770	10500	17000	0.29
	52	15	6205 2RSNR	3150	1770	8000	-	0.29
	52	15	6205 ZZNR	3150	1770	10500	-	0.29
	62	17	6305	4640	2520	12000	20000	0.52
	62	17	6305 2RS	4640	2520	7500	-	0.52
	62	17	6305 ZZ	4640	2520	12000	-	0.52

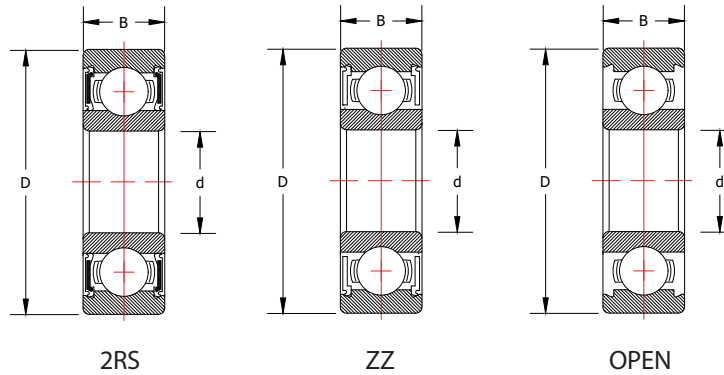


Dimensions			Bearing Designation	Basic Radial Load Factors		Speed Rating Grease (RPM)	Speed Rating Oil	Weight (Lbs)
d (mm)	D	B		Dynamic C (Lbs)	Static Co (Lbs)			
25	62	17	6305 2RSNR	4640	2520	7500	-	0.52
	62	17	6305 ZZNR	4640	2520	9500	-	0.52
	80	21	6405	6400	3500	10400	13000	1.17
28	52	12	60/28 2RS	2800	1660	8000	-	0.23
	58	16	62/28 2RS	3150	1770	7500	-	0.38
	68	19	63/28 2RS	6000	3370	7500	-	0.64
30	37	4	61706 2RS	256	947	12000	-	0.03
	37	4	61706 ZZ	256	947	18000	-	0.03
	42	7	61806	1060	820	16000	18000	0.06
	42	7	61806 2RS	1060	820	9000	-	0.06
	42	7	61806 ZZ	1060	820	16000	-	0.06
	47	9	61906	1630	1130	13000	17000	0.10
	47	9	61906 2RS	1630	1130	8000	-	0.10
	47	9	61906 ZZ	1630	1130	13000	-	0.10
	55	13	6006	2970	1860	13000	15000	0.26
	55	13	6006 2RS	2970	1860	8000	-	0.26
	55	13	6006 ZZ	2970	1860	13000	-	0.26
	55	13	6006 2RSNR	2970	1860	8000	-	0.26
	55	13	6006 ZZNR	2970	1860	13000	-	0.26
	62	16	6206	4390	2540	11000	15000	0.42
	62	16	6206 2RS	4390	2540	7500	-	0.44
	62	16	6206 ZZ	4390	2540	11000	-	0.44
	62	16	6206 NR	4390	2540	10000	15000	0.44
	62	16	6206 2RSNR	4390	2540	7500	-	0.44
	62	16	6206 ZZNR	4390	2540	10000	-	0.44
	72	19	6306	6000	3370	10000	15000	0.77
	72	19	6306 2RS	6000	3370	6000	-	0.77
72	19	6306 ZZ	6000	3370	10000	-	0.77	
72	19	6306 2RSNR	6000	3370	6000	-	0.77	
72	19	6306 ZZNR	6000	3370	9000	-	0.77	
90	23	6406 2RS	10600	5500	5000	-	1.63	
32	58	13	60/32 2RS	3390	2050	8000	-	0.30
	75	20	62/32 2RS	4390	2540	7500	-	0.49
	75	20	63/32	6000	3370	7200	0	0.89
	75	20	63/32 2RS	6000	3370	6000	-	0.89
35	47	7	61807	1100	920	14000	16000	0.07
	47	7	61807 2RS	1100	920	8000	-	0.06

Deep Groove Ball Bearings

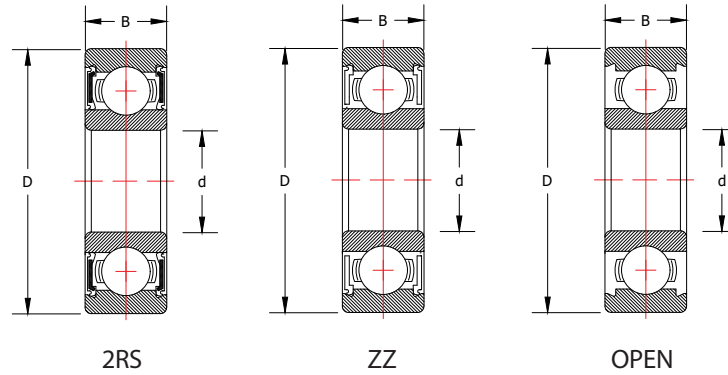


Dimensions			Bearing Designation	Basic Radial Load Factors		Speed Rating Grease (RPM)	Speed Rating Oil	Weight (Lbs)
d (mm)	D	B		Dynamic C (Lbs)	Static Co (Lbs)			
35	47	7	61807 ZZ	1100	920	14000	-	0.06
	55	10	61907	2390	1630	11000	15000	0.15
	55	10	61907 2RS	2390	1630	7500	-	0.17
	55	10	61907 ZZ	2390	1630	11000	-	0.17
	62	14	6007	3600	2310	12000	14000	0.33
	62	14	6007 2RS	3600	2310	7000	-	0.34
	62	14	6007 ZZ	3600	2310	12000	-	0.33
	62	14	6007 2RSNR	3600	2310	7000	-	0.33
	62	14	6007 ZZNR	3600	2310	12000	-	0.33
	72	17	6207	5800	3400	9800	11000	0.63
	72	17	6207 2RS	5800	3400	6000	-	0.64
	72	17	6207 ZZ	5800	3400	9800	-	0.64
	72	17	6207 NR	5800	3400	9800	11000	0.64
	72	17	6207 2RSNR	5800	3400	6000	-	0.64
	72	17	6207 ZZNR	5800	3400	9800	-	0.64
	80	21	6307	7500	4300	9000	14000	1.01
	80	21	6307 2RS	7500	4300	6000	-	1.01
	80	21	6307 ZZ	7500	4300	9000	-	1.01
	80	21	6307 2RSNR	7500	4300	6000	-	1.01
	80	21	6307 ZZNR	7500	4300	8500	-	1.01
40	52	7	61808	1140	980	13000	14000	0.08
	52	7	61808 2RS	1140	980	7000	-	0.07
	52	7	61808 ZZ	1140	980	13000	-	0.07
	62	12	61908	3080	2250	10000	13000	0.23
	62	12	61908 2RS	3080	2250	6700	-	0.25
	62	12	61908 ZZ	3080	2250	10000	-	0.25
	68	15	6008	3750	2590	10000	12000	0.49
	68	15	6008 2RS	3750	2590	6000	-	0.50
	68	15	6008 ZZ	3750	2590	10000	-	0.49
	68	15	6008 2RSNR	3750	2590	6000	-	0.49
	68	15	6008 ZZNR	3750	2590	10000	-	0.49
	80	18	6208	6500	4000	8700	10000	0.78
	80	18	6208 2RS	6500	4000	5200	-	0.81
	80	18	6208 ZZ	6500	4000	8700	-	0.81
	80	18	6208 NR	6500	4000	8700	10000	0.81
	80	18	6208 2RSNR	6500	4000	5200	-	0.81
	80	18	6208 ZZNR	6500	4000	8700	-	0.81
	90	23	6308	9100	5400	7800	9200	1.40
	90	23	6308 2RS	9100	5400	5000	-	1.40
	90	23	6308 ZZ	9100	5400	7800	-	1.40

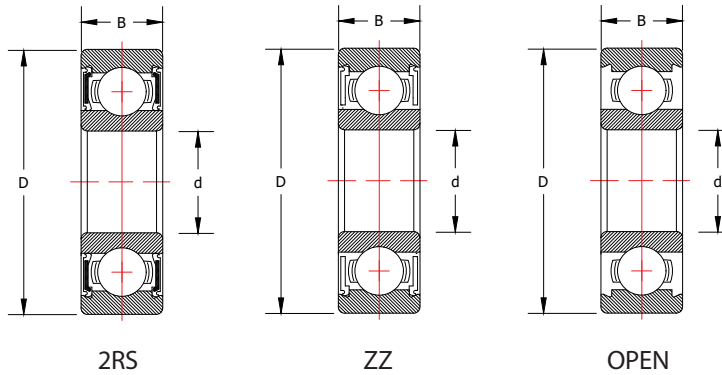


Dimensions			Bearing Designation	Basic Radial Load Factors		Speed Rating Grease (RPM)	Speed Rating Oil	Weight (Lbs)
d (mm)	D	B		Dynamic C (Lbs)	Static Co (Lbs)			
40	90	23	6308 NR	9100	5400	7800	9200	1.40
	90	23	6308 2RSNR	9100	5400	5000	-	1.40
	90	23	6308 ZZNR	9100	5400	7800	-	1.40
45	58	7	61809	1419	1270	10000	12000	0.09
	58	7	61809 2RS	1420	1270	6700	-	0.09
	58	7	61809 ZZ	1420	1270	10000	-	0.09
	68	12	61909	3400	2530	9000	12000	0.28
	68	12	61909 2RS	3400	2530	6000	-	0.30
	68	12	61909 ZZ	3400	2530	9000	-	0.28
	75	16	6009	5720	3400	9000	11000	0.53
	75	16	6009 2RS	5720	3400	5000	-	0.53
	75	16	6009 ZZ	5720	3400	9000	-	0.53
	85	19	6209	7300	4600	7800	9200	0.90
	85	19	6209 2RS	7300	4600	5000	-	0.90
	100	25	6309	11900	7200	7000	9000	1.84
	100	25	6309 2RS	11900	7200	4500	-	1.83
100	25	6309 ZZ	11900	7200	7000	-	1.84	
50	85	19	6209 ZZ	7300	4600	7800	-	0.90
	65	7	61810	1480	1370	9000	11000	0.11
	65	7	61810 2RS	1480	1370	6000	-	0.12
	65	7	61810 ZZ	1480	1370	9000	-	0.12
	72	12	61910	3500	2750	8000	11000	0.29
	72	12	61910 2RS	3500	2750	5600	-	0.31
	72	12	61910 ZZ	3500	2750	8000	-	0.29
	80	16	6010	4900	3700	8400	9800	0.58
	80	16	6010 2RS	4900	3700	5000	-	0.59
	80	16	6010 ZZ	4900	3700	8400	-	0.58
	90	20	6210	7870	5200	7500	8300	1.01
	90	20	6210 2RS	7870	5200	4500	-	1.02
	110	27	6310	13900	8600	6400	7500	2.36
	110	27	6310 2RS	13900	8600	4000	-	2.36
110	27	6310 ZZ	13900	8600	6400	-	2.36	
90	20	6210 ZZ	7870	5200	7500	-	1.02	
55	72	9	61811	1980	1820	8700	10000	0.18
	72	9	61811 2RS	1980	1820	5300	-	0.19
	72	9	61811 ZZ	1980	1820	8700	-	0.19
	90	18	6011	6350	4850	7700	9000	0.84

Deep Groove Ball Bearings

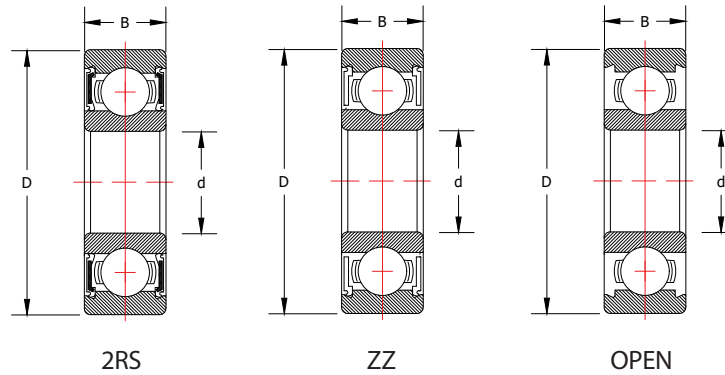


Dimensions			Bearing Designation	Basic Radial Load Factors		Speed Rating Grease (RPM)	Speed Rating Oil	Weight (Lbs)
d (mm)	D	B		Dynamic C (Lbs)	Static Co (Lbs)			
55	90	18	6011 2RS	6350	4850	4200	-	0.84
	90	18	6011 ZZ	6350	4850	7700	-	0.84
	100	21	6211	9750	6500	6400	7600	1.32
	100	21	6211 2RS	9750	6500	4000	-	1.34
	100	21	6211 ZZ	9750	6500	6400	-	1.34
	120	29	6311	16100	10100	5800	6800	3.02
	120	29	6311 2RS	16100	10100	3500	-	3.02
	120	29	6311 ZZ	16100	10100	5800	-	3.02
60	78	10	61812	2580	2380	8000	9400	0.24
	78	10	61812 2RS	2580	2380	4800	-	0.24
	78	10	61812 ZZ	2580	2380	8000	-	0.24
	95	18	6012	6600	5200	7000	8300	0.91
	95	18	6012 2RS	6600	5200	4000	-	0.91
	95	18	6012 ZZ	6600	5200	7000	-	0.91
	110	22	6212	11800	8150	6000	7000	1.72
	110	22	6212 2RS	11800	8150	4000	-	1.73
	110	22	6212 ZZ	11800	8150	6000	-	1.73
	130	31	6312	18400	11700	5400	6300	3.75
	130	31	6312 2RS	18400	11700	3400	-	3.75
	130	31	6312 ZZ	18400	11700	5400	-	3.75
	65	85	10	61813	2610	2480	7400	8700
85		10	61813 2RS	2610	2480	4500	-	0.30
85		10	61813 ZZ	2610	2480	7400	-	0.30
100		18	6013	6850	5660	6500	7700	0.97
100		18	6013 2RS	6850	5660	4000	-	0.97
100		18	6013 ZZ	6850	5660	6500	-	0.97
120		23	6213	12900	9000	5400	6500	2.18
120		23	6213 2RS	12900	9000	3500	-	2.18
120		23	6213 ZZ	12900	9000	5400	-	2.18
140		33	6313	20800	13400	4900	5800	4.59
140		33	6313 2RS	20800	13400	3200	-	4.59
140		33	6313 ZZ	20800	13400	4900	-	4.59
70	90	10	61814	2720	2680	6900	8100	0.31
	90	10	61814 2RS	2720	2680	4300	-	0.32
	90	10	61814 ZZ	2720	2680	6900	-	0.32
	110	20	6014	8560	6940	6100	7100	1.34
	110	20	6014 2RS	8560	6940	3400	-	1.34
	110	20	6014 ZZ	8560	6940	6100	-	1.34

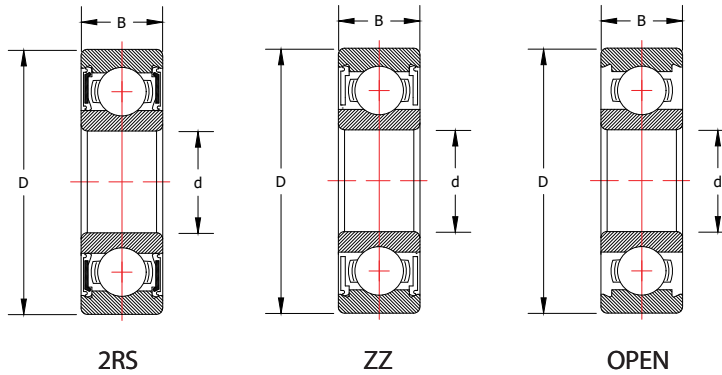


Dimensions			Bearing Designation	Basic Radial Load Factors		Speed Rating Grease (RPM)	Speed Rating Oil	Weight (Lbs)
d (mm)	D	B		Dynamic C (Lbs)	Static Co (Lbs)			
70	125	24	6214	14000	9900	5100	6000	2.34
	125	24	6214 2RS	14000	9900	3200	-	2.36
	125	24	6214 ZZ	14000	9900	5100	-	2.36
	150	35	6314	23400	15300	4600	5400	5.56
	150	35	6314 2RS	23400	15300	3000	-	5.55
	150	35	6314 ZZ	23400	15300	4600	-	5.56
75	95	10	61815	2820	2890	6400	7600	0.33
	95	10	61815 2RS	2820	2890	4000	-	0.33
	95	10	61815 ZZ	2820	2890	6400	-	0.34
	115	20	6015	8900	7530	5700	6700	1.43
	115	20	6015 2RS	8900	7530	3200	-	1.43
	115	20	6015 ZZ	8900	7530	5700	-	1.43
	130	25	6215	14900	11100	4800	5600	2.54
	130	25	6215 2RS	14900	11100	3000	-	2.60
	130	25	6215 ZZ	14900	11100	4800	-	2.60
	160	37	6315	25500	17400	4300	5000	6.66
	160	37	6315 2RS	25500	17400	2700	-	6.66
	160	37	6315 ZZ	25500	17400	4300	-	6.66
80	100	10	61816	2484	2866	6400	8000	0.33
	100	10	61816 2RS	2480	2870	6200	-	0.35
	100	10	61816 ZZ	2480	2870	6400	-	0.35
	125	22	6016	10700	8950	5300	6200	1.90
	125	22	6016 2RS	10700	8950	3000	-	1.90
	125	22	6016 ZZ	10700	8950	5300	-	1.90
	140	26	6216	16300	11900	4500	5300	3.09
	140	26	6216 2RS	16300	11900	2900	-	3.06
	140	26	6216 ZZ	16300	11900	4500	-	3.09
	170	39	6316	27600	19500	4000	4700	7.92
	170	39	6316 2RS	27600	19500	2600	-	7.92
	170	39	6316 ZZ	27600	19500	4000	-	7.92
85	110	13	61817	3726	3975	6000	7500	0.60
	110	13	61817 2RS	3730	3980	5800	-	0.60
	110	13	61817 ZZ	3730	3980	6000	-	0.62
	130	22	6017	11100	9700	5000	5900	1.98
	130	22	6017 2RS	11100	9700	3000	-	1.98
	130	22	6017 ZZ	11100	9700	5000	-	1.98
	150	28	6217	18700	14300	4200	5000	4.06
	150	28	6217 2RS	18700	14300	2800	-	3.95

Deep Groove Ball Bearings

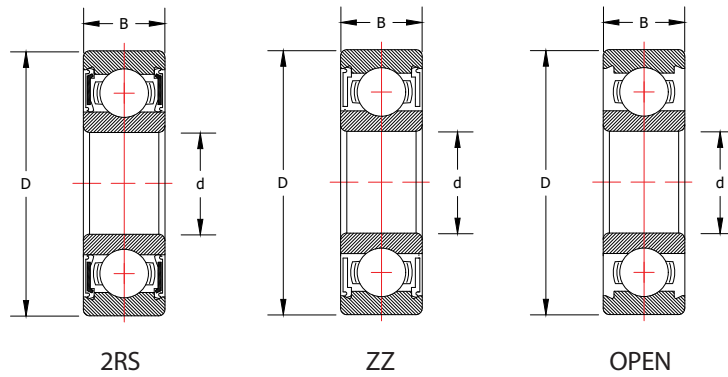


Dimensions			Bearing Designation	Basic Radial Load Factors		Speed Rating Grease (RPM)	Speed Rating Oil	Weight (Lbs)
d (mm)	D	B		Dynamic C (Lbs)	Static Co (Lbs)			
85	150	28	6217 ZZ	18700	14300	4200	-	3.95
	180	41	6317	29800	21800	3800	4500	9.33
	180	41	6317 2RS	29800	21800	2500	-	9.42
	180	41	6317 ZZ	29800	21800	3800	-	9.33
90	115	13	61818	3726	4204	5600	7000	0.62
	115	13	61818 2RS	3730	4200	5400	-	0.64
	115	13	61818 ZZ	3730	4200	5600	-	0.64
	140	24	6018	13100	11200	4750	5600	2.58
	140	24	6018 2RS	13100	11200	2700	-	2.58
	140	24	6018 ZZ	13100	11200	4750	-	2.58
	160	30	6218	21600	16100	3950	4750	4.94
	160	30	6218 2RS	21600	16100	2600	-	4.94
	160	30	6218 ZZ	21600	16100	3950	-	4.74
	190	43	6318	32000	24100	3600	4300	10.8
	190	43	6318 2RS	32000	24100	2400	-	10.8
	190	43	6318 ZZ	32000	24100	3600	-	10.8
95	120	13	61819	3803	4357	5360	6700	0.70
	120	13	61819 2RS	3800	4360	5200	-	0.67
	120	13	61819 ZZ	3800	4360	5360	-	0.67
	145	24	6019	13600	12100	4300	5300	2.68
	145	24	6019 2RS	13600	12100	2600	-	2.68
	145	24	6019 ZZ	13600	12100	4300	-	2.68
	170	32	6219	24500	18400	3600	4450	6.10
	170	32	6219 2RS	24500	18400	2400	-	6.10
	170	32	6219 ZZ	24500	18400	3600	-	5.78
	200	45	6319	34500	26600	3400	4100	12.5
	200	45	6319 2RS	34500	26600	2200	-	15.4
	200	45	6319 ZZ	34500	26600	3400	-	12.5
100	125	13	61820	3803	4586	5040	6300	0.68
	125	13	61820 2RS	3800	4590	5900	-	0.71
	125	13	61820 ZZ	3800	4590	5040	-	0.71
	150	24	6020	14200	12200	4000	5000	2.80
	150	24	6020 2RS	14200	12200	2400	-	2.80
	150	24	6020 ZZ	14200	12200	4000	-	2.80
	180	34	6220	22800	16700	3840	4800	7.14
	180	34	6220 2RS	27500	20900	2400	-	6.92
	180	34	6220 ZZ	27500	20900	3350	-	6.92
	215	47	6320 2RS	39000	31500	2000	-	15.4
	215	47	6320 ZZ	39000	31500	3200	-	15.4



Dimensions			Bearing Designation	Basic Radial Load Factors		Speed Rating Grease (RPM)	Speed Rating Oil	Weight (Lbs)
d (mm)	D	B		Dynamic C (Lbs)	Static Co (Lbs)			
105	130	13	61821	3975	3745	5040	6300	0.71
	130	13	61821 2RS	3980	3750	4900	-	0.75
	130	13	61821 ZZ	3980	3750	5040	-	0.75
	160	26	6021	16300	14800	4000	4700	3.53
	160	26	6021 2RS	16300	14800	2400	-	3.53
	160	26	6021 ZZ	16300	14800	4000	-	3.53
	190	36	6221	29900	23500	2200	0	8.66
	190	36	6221 2RS	29900	23500	2200	-	8.16
	190	36	6221 ZZ	29900	23500	3600	-	8.16
	225	49	6321	41500	34500	3000	3750	17.8
225	49	6321 2RS	41500	34500	2000	-	17.8	
225	49	6321 ZZ	41500	34500	3000	-	17.8	
110	140	16	61822	5370	4968	4480	5600	1.30
	140	16	61822 2RS	5370	4970	4300	-	1.17
	140	16	61822 ZZ	5370	4970	4480	-	1.17
	170	28	6022	16300	14800	4000	4300	4.34
	170	28	6022 2RS	18400	16360	2400	-	4.39
	170	28	6022 ZZ	18400	16360	4000	-	4.34
	200	38	6222	32500	26300	3400	3700	10.1
	200	38	6222 2RS	32500	26300	2000	-	9.61
	200	38	6222 ZZ	32500	26300	3100	-	9.61
	240	50	6322	43500	40500	3000	3500	17.8
240	50	6322 2RS	43500	40500	1850	-	17.8	
240	50	6322 ZZ	43500	40500	2600	-	17.8	
120	150	16	61824	5888	5665	4300	5600	1.45
	150	16	61824 2RS	5890	5670	4000	-	1.28
	150	16	61824 ZZ	5890	5670	4300	-	1.28
	180	28	6024	15900	14400	3400	4800	4.68
	180	28	6024 2RS	15900	14400	2200	-	4.68
	180	28	6024 ZZ	15900	14400	3800	-	4.68
	215	40	6224	33946	29450	2800	4000	12.1
	215	40	6224 2RS	33946	29450	2000	-	11.4
	215	40	6224 ZZ	33946	29450	3200	-	11.4
	260	55	6324 ZZ	47659	42714	2200	-	32.3
130	165	18	61826	7628	8700	4300	5600	2.05
	165	18	61826 2RS	7630	8700	2200	-	1.81
	165	18	61826 ZZ	7630	8700	4300	-	1.81

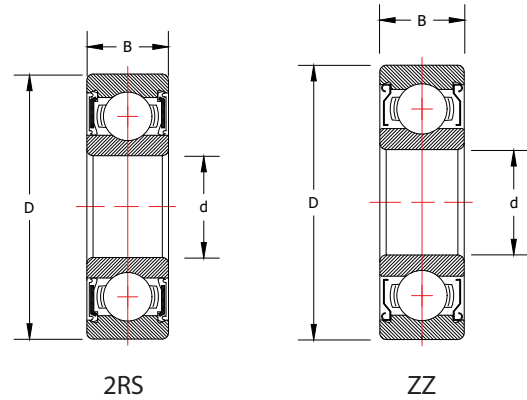
Deep Groove Ball Bearings



Dimensions			Bearing Designation	Basic Radial Load Factors		Speed Rating Grease (RPM)	Speed Rating Oil	Weight (Lbs)
d (mm)	D	B		Dynamic C (Lbs)	Static Co (Lbs)			
130	200	33	6026	20100	18000	3200	4300	8.49
	200	33	6026 2RS	20100	18000	3400	-	8.49
	200	33	6026 ZZ	20100	18000	3200	-	8.49
	230	40	6226	37543	32822	2600	3600	13.8
	230	40	6226 2RS	37543	32822	2000	-	13.2
	230	40	6226 ZZ	37543	32822	3000	-	13.8
	280	58	6326 2RS	51481	48109	1700	-	40.2
	280	58	6326 ZZ	51481	48109	2000	-	40.2
140	175	18	61828	7891	9408	3800	5445	2.20
	175	18	61828 2RS	7890	9410	3300	-	1.92
	175	18	61828 ZZ	7890	9410	3600	-	1.92
	210	33	6028	20000	19400	2800	4000	9.00
	210	33	6028 2RS	20000	19400	1750	-	9.00
	210	33	6028 ZZ	20000	19400	3200	-	9.80
	250	42	6228	39566	36869	2900	3400	17.6
	250	42	6228 2RS	39566	36869	1950	-	17.7
250	42	6228 ZZ	39566	36869	2900	-	17.7	
150	225	35	6030	22500	22500	2600	3800	11.1
	225	35	6030 2RS	22500	22500	1600	-	11.1
	225	35	6030 ZZ	22500	22500	3000	-	11.1
	270	45	6230	39566	38218	2825	3800	25.2
	270	45	6230 ZZ	39566	38218	2825	-	25.3
160	240	38	6032 2RS	25700	27000	1500	-	13.9
	240	38	6032 ZZ	25700	27000	2800	-	13.9
	290	48	6232 ZZ	41590	41814	2710	-	31.6
170	260	42	6034	21400	23200	2200	3200	17.5

TRITAN Stainless Steel Deep Groove Ball Bearings are produced with AISI 440C Stainless steel to resist corrosion and provide exceptional hardness and strength life. They feature 304 Stainless Steel cages and are produced with full contact Rubber Seals (2RS) or low friction stainless shields (ZZ) both to retain lubricant and protect the bearing from contaminants; or in an open configuration. Sealed and shielded bearings are lubricated for life with a high quality food grade (FM222) grease.

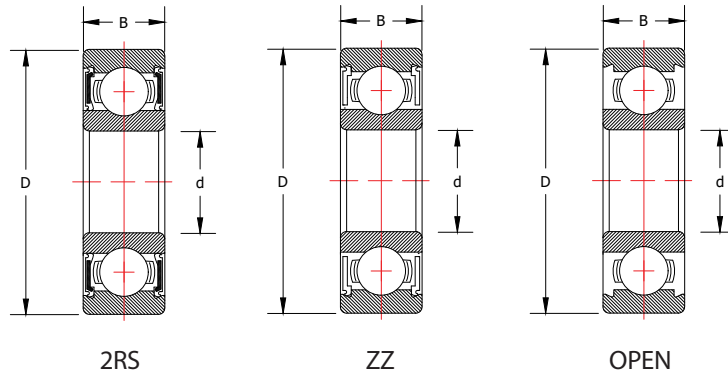
Stainless Steel Deep Groove Ball Bearings are widely used in a variety of applications where the bearing is subjected to corrosive environments or frequent wash-downs including: pharmaceutical, food equipment, poultry, and chemical.



Dimensions			Bearing Designation	Basic Radial Load Factors		Speed Rating Grease (RPM)	Speed Rating Oil	Weight (Lbs)
d (mm)	D	B		Dynamic C (Lbs)	Static Co (Lbs)			
10	19	5	SS61800	411	208	32000	38000	.012
	19	5	SS61800 2RS	411	208	22000	-	.012
	19	5	SS61800 ZZ	411	208	32000	-	0.02
	22	6	SS61900	607	286	30000	36000	0.02
	22	6	SS61900 2RS	607	286	20000	-	0.03
	22	6	SS61900 ZZ	607	286	30000	-	0.03
	26	8	SS6000	824	422	29000	34000	0.01
	26	8	SS6000 2RS	824	422	17000	-	.014
	26	8	SS6000 ZZ	824	422	29000	-	.014
	30	9	SS6200	920	518	24000	30000	0.07
30	9	SS6200 2RS	920	518	17000	-	0.07	
30	9	SS6200 ZZ	920	518	24000	-	0.07	
12	21	5	SS61801 2RS	432	234	20000	-	0.01
	21	5	SS61801 ZZ	432	234	29000	-	0.01
	24	6	SS61901	650	328	27000	32000	0.03
	24	6	SS61901 2RS	650	328	19000	-	0.04
	24	6	SS61901 ZZ	650	328	27000	-	0.04
	28	8	SS6001	920	518	26000	30000	0.05
	28	8	SS6001 2RS	920	518	17000	-	0.05
	28	8	SS6001 ZZ	920	518	26000	-	0.05
	32	10	SS6201	1224	662	22000	26000	0.08
	32	10	SS6201 2RS	1224	662	15000	-	0.08
32	10	SS6201 ZZ	1224	662	22000	-	0.08	
15	24	5	SS61802 2RS	468	283	17000	-	.017
	24	5	SS61802 ZZ	468	283	26000	-	.017
	28	7	SS61902	922	463	24000	28000	0.04
	28	7	SS61902 2RS	922	463	16000	-	0.05
	28	7	SS61902 ZZ	922	463	24000	-	0.05
	32	9	SS6002	1008	614	26000	28000	0.06
	32	9	SS6002 2RS	1008	614	14000	-	0.06
	32	9	SS6002 ZZ	1008	614	26000	-	0.06
	35	11	SS6202	1392	773	23000	19000	0.10
	35	11	SS6202 2RS	1392	773	14000	-	0.10
	35	11	SS6202 ZZ	1392	773	19000	-	0.10
	42	13	SS6302 2RS	2056	1181	13000	-	0.21
17	26	5	SS61803 2RS	632	387	22000	-	0.02
	26	5	SS61803 ZZ	632	387	24000	-	0.02
	30	7	SS61903	1045	580	22000	26000	0.04
	30	7	SS61903 2RS	1045	580	15000	-	0.06

Deep Groove Ball Bearings

Stainless Steel

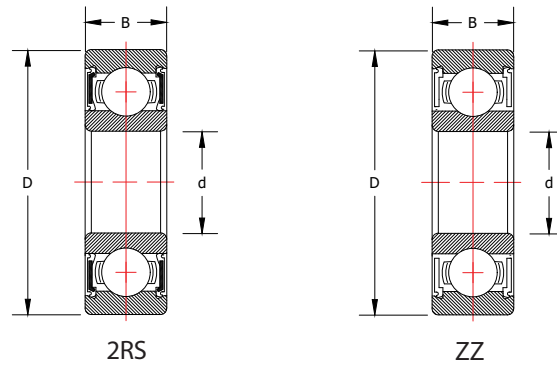


Dimensions			Bearing Designation	Basic Radial Load Factors		Speed Rating Grease (RPM)	Speed Rating Oil	Weight (Lbs)
d (mm)	D	B		Dynamic C (Lbs)	Static Co (Lbs)			
17	30	7	SS61903 ZZ	1045	580	22000	-	0.06
	35	10	SS6003	1080	701	22000	26000	0.08
	35	10	SS6003 2RS	1080	701	13000	-	0.08
	35	10	SS6003 ZZ	1080	701	22000	-	0.08
	40	12	SS6203	1720	1037	15000	20000	0.14
	40	12	SS6203 2RS	1720	1037	12000	-	0.14
	40	12	SS6203 ZZ	1720	1037	15000	-	0.14
	47	14	SS6303 2RS	2448	1411	11000	-	0.26
20	32	7	SS61804 2RS	899	555	13000	-	0.04
	32	7	SS61804 ZZ	899	555	21000	-	0.04
	37	9	SS61904	1439	832	19000	23000	0.08
	37	9	SS61904 2RS	1439	832	12000	-	0.09
	37	9	SS61904 ZZ	1439	832	19000	-	0.09
	42	12	SS6004	1688	1094	18000	21000	0.14
	42	12	SS6004 2RS	1688	1094	11000	-	0.14
	42	12	SS6004 ZZ	1688	1094	18000	-	0.14
	47	14	SS6204	2304	1430	15000	18000	0.23
	47	14	SS6204 2RS	2304	1430	11000	-	0.23
	47	14	SS6204 ZZ	2304	1430	15000	-	0.23
	52	15	SS6304 2RS	2864	1709	10000	-	0.32
25	37	7	SS61805 2RS	967	663	13000	-	0.05
	37	7	SS61805 ZZ	967	663	18000	-	0.05
	42	9	SS61905	1585	1023	16000	19000	0.09
	42	9	SS61905 2RS	1585	1023	10000	-	0.10
	42	9	SS61905 ZZ	1585	1023	16000	-	0.10
	47	12	SS6005	1808	1267	15000	18000	0.18
	47	12	SS6005 2RS	1808	1267	9000	-	0.18
	47	12	SS6005 ZZ	1808	1267	15000	-	0.18
	52	15	SS6205	2520	1699	10500	15000	0.28
	52	15	SS6205 2RS	2520	1699	8000	-	0.28
	52	15	SS6205 ZZ	2520	1699	10500	-	0.28
	62	17	SS6305 2RS	3712	2419	7500	-	0.52
	62	17	SS6305 ZZ	3712	2419	9500	-	0.52
30	42	7	SS61806	1057	821	15000	18000	0.06
	42	7	SS61806 2RS	1057	821	9000	-	0.06
	42	7	SS61806 ZZ	1057	821	13000	-	0.06
	47	9	SS61906 2RS	1630	1124	8000	-	0.10
	47	9	SS61906 ZZ	1630	1124	13000	-	0.10
	55	13	SS6006	2376	1786	13000	15000	0.26

R Series bearings are single-row radial bearings that are available in inch sizes for shafts from 1/8" to 1 1/2".

They are produced open, shielded, and sealed. The shielded and sealed configurations are lubricated for life with a high quality Polyrex EM grease.

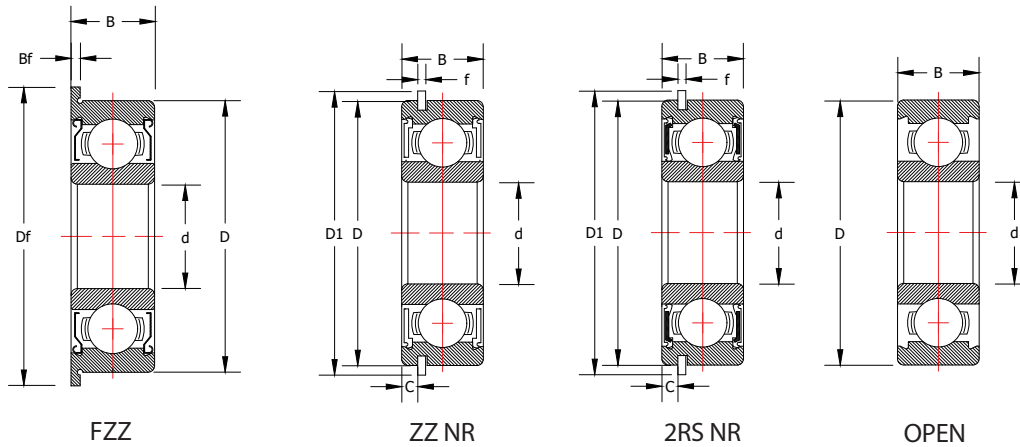
Most sizes are also available in stainless steel lubricated with food grade grease (refer to page 37).



Dimensions			Flange Diameter (Df)	Flange Width (Bf)	Extended Inner Ring Width	Bearing Designation	Basic Radial Load Factors		Speed Rating Grease (RPM)	Speed Rating Oil	Weight (Lbs)
d (in)	D	B					Dynamic C (Lbs)	Static Co (Lbs)			
0.1250"	0.3750"	0.15620"	-	-	-	R2	144	50	49000	58000	0.003
	0.3750"	0.15625"	-	-	-	R2 2RS	144	50	29000	-	0.003
	0.3750"	0.15625"	-	-	-	R2 ZZ	144	50	49000	-	0.003
	0.3750"	0.15625"	0.4400"	0.0300"	-	FR2 ZZ	144	50	49000	-	0.003
	0.5000"	0.17190"	-	-	-	R2A	258	99	42000	51000	0.001
	0.5000"	0.17190"	-	-	-	R2A 2RS	258	99	25000	-	0.001
	0.5000"	0.17190"	-	-	-	R2A ZZ	258	99	42000	-	0.001
0.1875"	0.3750"	0.12500"	-	-	-	RI6632 ZZ	75	30	50000	-	0.003
	0.5000"	0.15620"	-	-	-	R3	295	110	41000	48000	0.003
	0.5000"	0.19600"	-	-	-	R3 2RS	295	110	24000	-	0.003
	0.5000"	0.19600"	-	-	-	R3 ZZ	295	110	41000	-	0.003
	0.5000"	0.19600"	0.565"	0.042"	-	FR3 2RS	295	110	24000	-	0.003
	0.5000"	0.19600"	0.565"	0.042"	-	FR3 ZZ	295	110	41000	-	0.003
0.2500"	0.5000"	0.18750"	-	-	-	RI814 ZZ	88	40	40000	-	0.004
	0.5000"	0.18750"	0.547"	0.045"	-	RIF814 ZZ	88	40	40000	-	0.004
	0.6250"	0.19600"	-	-	-	R4	295	110	41000	48000	0.010
	0.6250"	0.19600"	-	-	-	R4 2RS	295	110	24000	-	0.010
	0.6250"	0.19600"	-	-	-	R4 ZZ	295	110	41000	-	0.010
	0.6250"	0.19600"	0.690"	0.042"	-	FR4 2RS	295	110	24000	-	0.010
	0.6250"	0.19600"	0.690"	0.042"	-	FR4 ZZ	362	150	36000	-	0.010
	0.7500"	0.21880"	-	-	-	R4A	527	199	34000	40000	0.020
	0.7500"	0.28120"	-	-	-	R4A 2RS	527	199	20000	-	0.020
	0.7500"	0.28120"	-	-	-	R4A ZZ	527	199	34000	-	0.020
0.3750"	0.8750"	0.21880"	-	-	-	R6	754	317	31000	37000	0.024
	0.8750"	0.28125"	-	-	-	R6 2RS	754	317	18000	-	0.024
	0.8750"	0.28120"	-	-	-	R6 ZZ	754	317	31000	-	0.024
	0.8750"	0.28125"	-	-	-	R6 2RSNR	754	317	18000	-	0.024
	0.8750"	0.28125"	-	-	-	R6 ZZNr	754	317	31000	-	0.024
	0.8750"	0.28125"	0.969"	0.062"	-	FR6 2RS	754	317	18000	-	0.030
	0.8750"	0.28125"	0.969"	0.062"	-	FR6 ZZ	754	317	31000	-	0.030
	0.5000"	0.1250"	0.25000"	-	-	-	R8	1148	535	24000	29000
1.1250"	0.31250"	-	-	-	R8 2RS	1148	535	17000	-	0.060	
1.1250"	0.31250"	-	-	-	R8 ZZ	1148	535	24000	-	0.060	
1.1250"	0.31250"	-	-	-	R8 2RSNR	1148	535	17000	-	0.060	
1.1250"	0.31250"	-	-	-	R8 ZZNr	1148	535	24000	-	0.060	

Deep Groove Ball Bearings

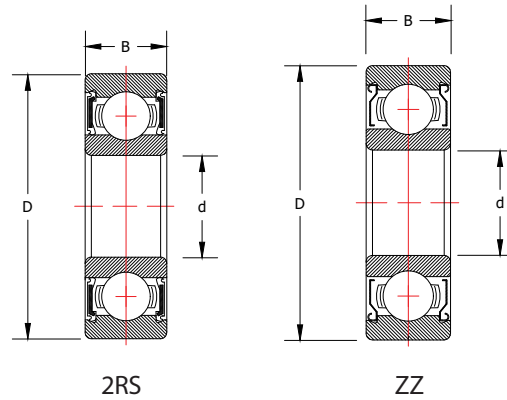
R Series - Inch



Dimensions			Flange Diameter (Df)	Flange Width (Bf)	Extended Inner Ring Width	Bearing Designation	Basic Radial Load Factors		Speed Rating Grease (RPM)	Speed Rating Oil	Weight (Lbs)
d (in)	D	B					Dynamic C (Lbs)	Static Co (Lbs)			
0.6250"	1.3750"	0.28125"	-	-	-	R10	1347	734	18000	22000	0.070
	1.3750"	0.34375"	-	-	-	R10 2RS	1347	734	12000	-	0.090
	1.3750"	0.34375"	-	-	-	R10 ZZ	1347	734	18000	-	0.090
	1.3750"	0.34375"	-	-	-	R10 ZZNR	1347	734	18000	-	0.100
0.7500"	1.6250"	0.31250"	-	-	-	R12	1770	1020	16000	19000	0.110
	1.6250"	0.43750"	-	-	-	R12 2RS	1770	1020	11000	-	0.160
	1.6250"	0.43750"	-	-	-	R12 ZZ	1770	1020	16000	-	0.160
0.8750"	1.8750"	0.37500"	-	-	-	R14	2270	1220	14000	17000	0.160
	1.8750"	0.50000"	-	-	-	R14 2RS	2270	1220	10000	-	0.220
	1.8750"	0.50000"	-	-	-	R14 ZZ	2270	1220	14000	-	0.220
1.0000"	2.0000"	0.37500"	-	-	-	R16	2261	1350	13000	16000	0.180
	2.0000"	0.50000"	-	-	-	R16 2RS	2261	1350	9000	-	0.240
	2.0000"	0.50000"	-	-	-	R16 ZZ	2261	1350	13000	-	0.240
1.1250"	2.1250"	0.37500"	-	-	-	R18	2810	1690	12000	14000	0.200
	2.1250"	0.50000"	-	-	-	R18 2RS	2810	1690	8000	-	0.270
	2.1250"	0.50000"	-	-	-	R18 ZZ	2810	1690	12000	-	0.270
1.2500"	2.2500"	0.37500"	-	-	-	R20	3150	2090	11000	13000	0.220
	2.2500"	0.50000"	-	-	-	R20 2RS	3150	2090	7700	-	0.460
	2.2500"	0.50000"	-	-	-	R20 ZZ	3150	2090	11000	-	0.460
1.3750"	2.5000"	0.43750"	-	-	-	R22	3480	2380	10000	12000	0.340
	2.5000"	0.56250"	-	-	-	R22 2RS	3480	2380	7700	-	0.460
	2.5000"	0.56250"	-	-	-	R22 ZZ	3480	2380	10000	-	0.460
1.5000"	2.6250"	0.43750"	-	-	-	R24	3780	2650	11000	9000	0.380
	2.6250"	0.56250"	-	-	-	R24 2RS	3780	2650	7700	-	0.510
	2.6250"	0.56250"	-	-	-	R24 ZZ	3780	2650	11000	-	0.510

1600 Series bearings are single-row radial bearings that are available in inch sizes for shafts from 1/4" to 1 1/2".

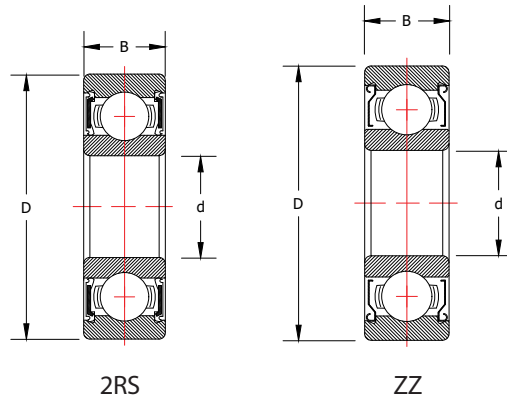
The series was originally produced as semi-ground, but is now supplied as a fully ground precision. The series is produced either shielded or sealed and lubricated for life with a high quality Polyrex EM grease.



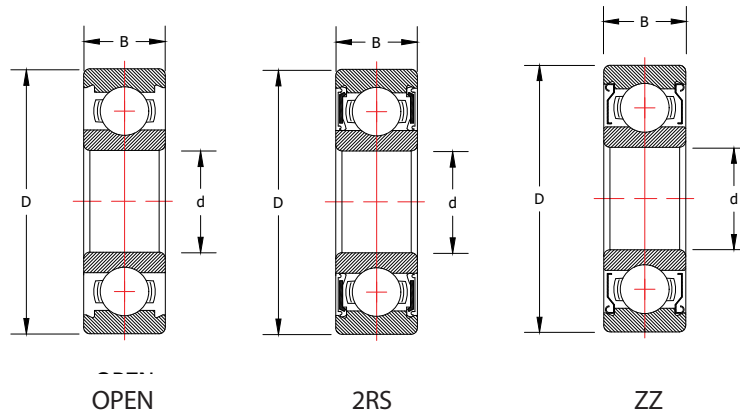
Dimensions			Bearing Designation	Basic Radial Load Factors		Speed Rating Grease (RPM)	Speed Rating Oil	Weight (Lbs)
d (in)	D	B		Dynamic C (Lbs)	Static Co (Lbs)			
0.2500"	0.6875"	0.3125"	1602 2RS	491	194	24000	-	0.02
	0.6875"	0.2500"	1602 ZZ	491	194	30000	-	0.02
0.3125"	0.8750"	0.3438"	1603 2RS	747	317	22000	-	0.03
	0.8750"	0.2812"	1603 ZZ	747	317	28000	-	0.03
0.3750"	0.8750"	0.3438"	1604 2RS	747	317	22000	-	0.04
	0.8750"	0.2812"	1604 ZZ	747	317	28000	-	0.03
	0.9062"	0.3125"	1606 2RS	935	390	20000	-	0.04
	0.9062"	0.3125"	1606 ZZ	935	390	24000	-	0.03
	1.1250"	0.3750"	1614 2RS	1047	465	19000	-	0.06
	1.1250"	0.3750"	1614 ZZ	1047	465	24000	-	0.06
0.4375"	0.9062"	0.3125"	1607 2RS	935	390	19000	-	0.07
	0.9062"	0.3125"	1607 ZZ	935	390	21000	-	0.07
	1.1250"	0.3750"	1615 2RS	1047	465	18000	-	0.07
	1.1250"	0.3750"	1615 ZZ	1047	465	23000	-	0.07
0.5000"	1.1250"	0.3750"	1616 2RS	1047	465	20000	-	0.06
	1.1250"	0.3750"	1616 ZZ	1047	465	22000	-	0.06
	1.3750"	0.4375"	1621 2RS	1525	747	20000	-	0.10
	1.3750"	0.4375"	1621 ZZ	1525	747	22000	-	0.10
0.6250"	1.3750"	0.4375"	1623 2RS	1525	747	18000	-	0.08
	1.3750"	0.4375"	1623 ZZ	1525	747	20000	-	0.08
	1.6250"	0.5000"	1628 2RS	2109	1150	15000	-	0.15
	1.6250"	0.5000"	1628 ZZ	2109	1150	18000	-	0.15
0.7500"	1.6250"	0.5000"	1630 2RS	2109	1150	10000	-	0.14
	1.6250"	0.5000"	1630 ZZ	2109	1150	12000	-	0.14
	1.7500"	0.5000"	1635 2RS	2109	1150	9000	-	0.18
	1.7500"	0.5000"	1635 ZZ	2109	1150	11000	-	0.18
	2.0000"	0.5625"	1638 2RS	3150	1785	7500	-	0.26
	2.0000"	0.5625"	1638 ZZ	3150	1785	9000	-	0.26
1.000"	2.0000"	0.5625"	1641 2RS	3150	1785	7500	-	0.22
	2.0000"	0.5625"	1641 ZZ	3150	1785	9000	-	0.22
1.2500"	2.5000"	1.6250"	1654 2RS	2880	1890	5000	-	0.41
	2.5000"	1.6250"	1654 ZZ	2880	1890	7500	-	0.41

Deep Groove Ball Bearings

Stainless Steel / 1600 Inch Series



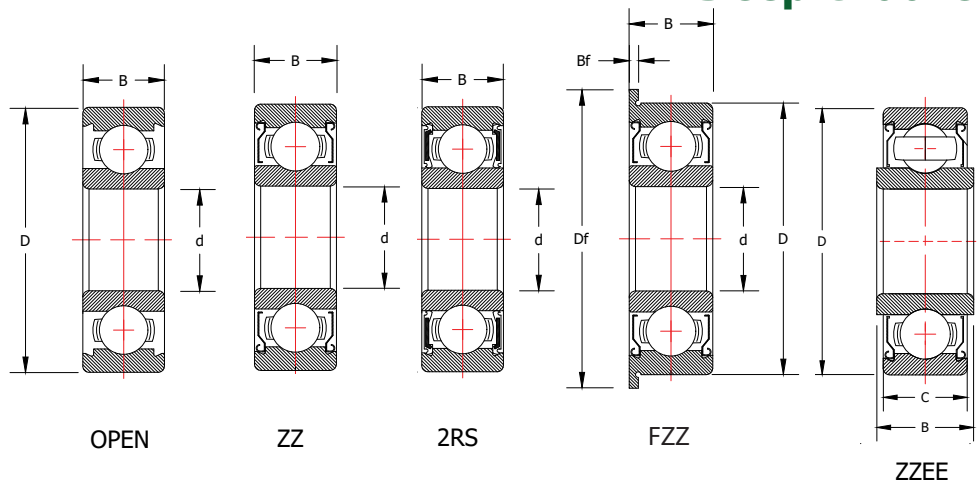
Dimensions			Bearing Designation	Basic Radial Load Factors		Speed Rating Grease (RPM)	Speed Rating Oil	Weight (Lbs)
d (in)	D	B		Dynamic C (Lbs)	Static Co (Lbs)			
0.2500"	0.6875"	0.3125"	SS1602 2RS	378	194	24000	-	0.02
	0.6875"	0.2500"	SS1602 ZZ	378	194	30000	-	0.02
0.3125"	0.8750"	0.3438"	SS1603 2RS	575	317	22000	-	0.03
	0.8750"	0.2812"	SS1603 ZZ	575	317	28000	-	0.03
0.3750"	0.8750"	0.3438"	SS1604 2RS	575	317	22000	-	0.04
	0.8750"	0.2812"	SS1604 ZZ	575	317	28000	-	0.03
	0.9062"	0.3125"	SS1606 2RS	720	390	20000	-	0.04
	0.9062"	0.3125"	SS1606 ZZ	720	390	24000	-	0.03
	1.1250"	0.3750"	SS1614 2RS	800	465	19000	-	0.06
	1.1250"	0.3750"	SS1614 ZZ	800	465	24000	-	0.06
0.4375"	0.9062"	0.3125"	SS1607 2RS	720	390	19000	-	0.07
	0.9062"	0.3125"	SS1607 ZZ	720	390	22000	-	0.07
	1.1250"	0.3750"	SS1615 2RS	800	465	18000	-	0.07
	1.1250"	0.3750"	SS1615 ZZ	800	465	21000	-	0.07
0.5000"	1.1250"	0.3750"	SS1616 2RS	800	465	20000	-	0.06
	1.1250"	0.3750"	SS1616 ZZ	800	465	22000	-	0.06
	1.3750"	0.4375"	SS1621 2RS	1175	747	20000	-	0.10
	1.3750"	0.4375"	SS1621 ZZ	1175	747	22000	-	0.10
0.6250"	1.3750"	0.4375"	SS1623 2RS	1175	747	18000	-	0.08
	1.3750"	0.4375"	SS1623 ZZ	1175	747	20000	-	0.08
	1.6250"	0.5000"	SS1628 2RS	1625	1150	15000	-	0.15
	1.6250"	0.5000"	SS1628 ZZ	1625	1150	18000	-	0.15
0.7500"	1.6250"	0.5000"	SS1630 2RS	1625	1150	10000	-	0.14
	1.6250"	0.5000"	SS1630 ZZ	1625	1150	12000	-	0.14
	1.7500"	0.5000"	SS1635 2RS	1625	1150	9000	-	0.18
	1.7500"	0.5000"	SS1635 ZZ	1625	1150	11000	-	0.18
0.7500"	2.0000"	0.5625"	SS1638 2RS	2400	1785	7500	-	0.26
	2.0000"	0.5625"	SS1638 ZZ	2400	1785	9000	-	0.26
1.000"	2.0000"	0.5625"	SS1641 2RS	2400	1785	7500	-	0.22
	2.0000"	0.5625"	SS1641 ZZ	2400	1785	9000	-	0.22
1.2500"	2.5000"	1.6250"	SS1654 2RS	2200	1890	5000	-	0.41
	2.5000"	1.6250"	SS1654 ZZ	2200	1890	7500	-	0.41



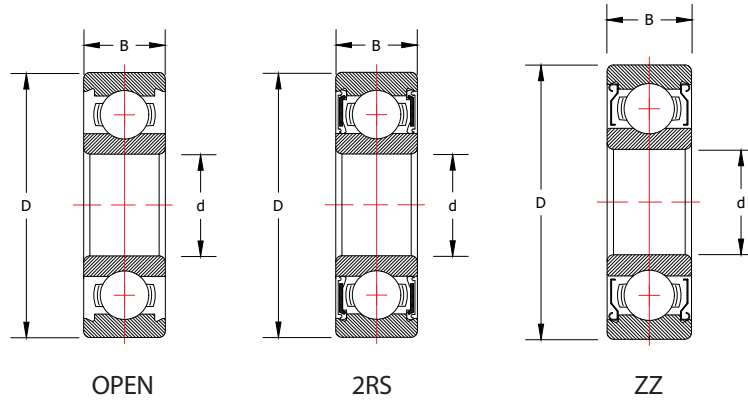
Dimensions			Flange Diameter (Df)	Flange Width (Bf)	Extended Inner Ring Width	Bearing Designation	Basic Radial Load Factors		Speed Rating Grease (RPM)	Speed Rating Oil	Weight (Lbs)	
d (in)	D	B					Dynamic C (Lbs)	Static Co (Lbs)				
0.1250"	0.2500"	0.109"	-	-	-	SSRI418 ZZ	30	10	70000	-	0.001	
	0.2500"	0.1094"	-	-	0.1406"	SSRI418 ZZEE	30	10	70000	-	0.001	
	0.2500"	0.1094"	0.2960"	0.031"	-	SSRIF418 ZZ	30	10	70000	-	0.001	
	0.2500"	0.1094"	0.2960"	0.031"	0.1406"	SSRIF418 ZZEE	30	10	70000	-	0.001	
	0.3125"	0.1406"	-	-	-	SSRI518 ZZ	60	22	60000	-	0.002	
	0.3125"	0.1406"	0.3590"	0.031"	-	SSRIF518 ZZ	60	22	60000	-	0.002	
	0.3750"	0.1562"	-	-	-	SSR2 2RS	60	26	29000	-	0.003	
	0.3750"	0.1562"	-	-	-	SSR2 ZZ	60	26	50000	-	0.003	
	0.3750"	0.1406"	-	-	-	SSRI618 ZZ	60	22	60000	-	0.003	
	0.3750"	0.1406"	0.4220"	0.031"	-	SSRIF618 ZZ	60	22	60000	-	0.003	
	0.5000"	0.1719"	-	-	-	SSR2A 2RS	60	26	40000	-	0.001	
0.5000"	0.1719"	-	-	-	SSR2A ZZ	60	26	50000	-	0.001		
0.1562"	0.3125"	0.1250"	-	-	-	SSRI5532 ZZ	40	15	60000	-	0.002	
	0.3125"	0.1250"	0.3590"	0.036"	-	SSRIF5532 ZZ	40	15	58000	-	0.002	
0.1875"	0.3125"	0.1250"	-	-	-	SSRI5632 ZZ	40	15	55000	-	0.001	
	0.3125"	0.1250"	0.3590"	0.023"	-	SSRIF5632 ZZ	40	15	58000	-	0.001	
	0.3750"	0.1250"	-	-	-	SSRI6632 ZZ	75	30	50000	-	0.002	
	0.3750"	0.1250"	0.4220"	0.031"	-	SSRIF6632 ZZ	75	30	50000	-	0.002	
	0.3750"	0.1250"	-	-	0.1562"	SSRI6632 ZZEE	75	30	50000	-	0.002	
	0.5000"	0.1960"	-	-	-	SSR3 2RS	120	50	24000	-	0.006	
	0.5000"	0.1960"	-	-	-	SSR3 ZZ	120	50	40000	-	0.006	
	0.5000"	0.1960"	0.5650"	0.042"	-	SSFR3 2RS	140	59	24000	-	0.006	
	0.5000"	0.1960"	0.5650"	0.042"	-	SSFR3 ZZ	140	59	40000	-	0.006	
	0.5000"	0.1960"	-	-	0.2272"	SSR3 ZZEE	120	50	40000	-	0.006	
	0.5000"	0.1960"	0.5650"	0.042"	0.2272"	SSFR3 ZZEE	140	59	40000	-	0.006	
	0.2500"	0.3750"	0.1250"	-	-	-	SSRI614 ZZ	42	20	45000	-	0.001
		0.3750"	0.1250"	0.4220"	0.036"	-	SSRIF614 ZZ	42	20	40000	-	0.002
0.3750"		0.1250"	0.4220"	0.036"	0.1562"	SSRIF614 ZZEE	42	20	40000	-	0.002	
0.5000"		0.1875"	-	-	-	SSRI814 ZZ	88	40	35000	-	0.004	
0.5000"		0.1875"	-	-	0.2188"	SSRI814 ZZEE	88	40	35000	-	0.004	
0.5000"		0.1250"	0.5470"	0.045"	-	SSRIF814	88	40	35000	40000	0.004	
0.5000"		0.1875"	0.5470"	0.045"	-	SSRIF814 ZZ	88	40	35000	-	0.004	
0.5000"		0.1875"	0.5470"	0.045"	0.2188"	SSRIF814 ZZEE	88	40	35000	-	0.004	
0.6250"		0.1960"	-	-	-	SSR4	150	70	30000	40000	0.020	
0.6250"		0.1960"	-	-	-	SSR4 2RS	150	70	29000	-	0.020	
0.6250"		0.1960"	-	-	-	SSR4 ZZ	150	70	30000	-	0.020	
0.6250"		0.1960"	-	-	0.2260"	SSR4 ZZEE	150	70	30000	-	0.020	
0.6250"		0.1960"	0.6900"	0.042"	-	SSFR4 2RS	150	70	24000	-	0.010	
0.6250"		0.1960"	0.6900"	0.042"	-	SSFR4 ZZ	150	70	30000	-	0.010	

Deep Groove Ball Bearings

Miniature



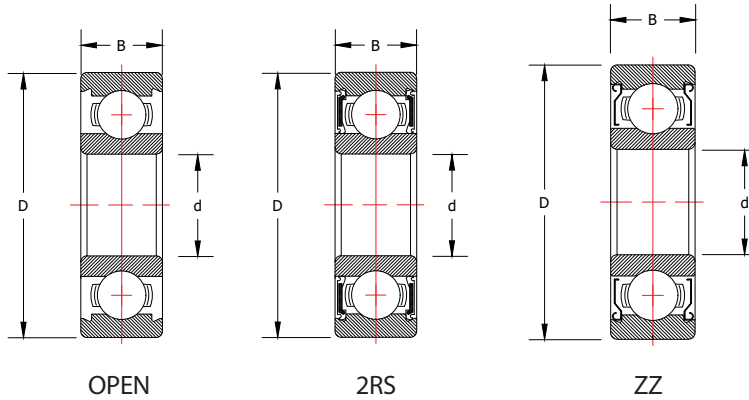
Dimensions			Flange Diameter (Df)	Flange Width (Bf)	Extended Inner Ring Width	Bearing Designation	Basic Radial Load Factors		Speed Rating Grease (RPM)	Speed Rating Oil	Weight (Lbs)
d (in)	D	B					Dynamic C (Lbs)	Static Co (Lbs)			
0.2500"	0.6250"	0.1960"	0.6900"	0.042"	0.2260"	SSFR4 ZZEE	150	70	30000	-	0.010
	0.7500"	0.2812"	-	-	-	SSR4A 2RS	400	190	20000	-	0.020
	0.7500"	0.2812"	-	-	-	SSR4A ZZ	400	190	30000	-	0.020
0.3125"	0.5000"	0.1562"	-	-	-	SSRI8516 ZZ	90	40	34000	-	0.004
	0.5000"	0.1562"	0.5470"	0.031"	-	SSRIF8516 ZZ	90	40	30000	-	0.004
	0.6250"	0.1562"	-	-	-	SSRI1038	90	45	25000	32000	0.006
	0.6250"	0.1562"	-	-	-	SSRI1038 ZZ	90	45	25000	-	0.006
	0.8750"	0.2812"	-	-	-	SSR6 2RS	500	250	18000	-	0.030
	0.8750"	0.2812"	-	-	-	SSR6 ZZ	500	250	20000	-	0.030
	0.8750"	0.2812"	0.9690"	0.062"	-	SSFR6 2RS	120	75	18000	-	0.024
	0.8750"	0.2812"	0.9690"	0.062"	-	SSFR6 ZZ	120	75	20000	-	0.024
0.5000"	0.7500"	0.1562"	-	-	-	SSRI1212 ZZ	111	66	20000	-	0.007
	1.1250"	0.2500"	-	-	-	SSR8	799	455	23400	27500	0.050
	1.1250"	0.3125"	-	-	-	SSR8 2RS	799	455	17000	-	0.060
	1.1250"	0.3125"	-	-	-	SSR8 ZZ	799	455	23400	-	0.060
	1.1250"	0.3125"	1.2252"	0.062"	-	SSFR8 2RS	918	514	17000	-	0.060
0.6250"	0.8750"	0.1562"	-	-	-	SSRI1458 ZZ	114	75	18000	-	0.009
	1.3750"	0.2812"	-	-	-	SSR10	931	567	18900	22000	0.070
	1.3750"	0.3437"	-	-	-	SSR10 2RS	931	567	12000	-	0.090
	1.3750"	0.3437"	-	-	-	SSR10 ZZ	931	567	18900	-	0.090
0.7500"	1.0000"	0.1562"	-	-	-	SSRI1634 ZZ	126	92	15000	-	0.010
	1.6250"	0.3125"	-	-	-	SSR12	1467	900	14400	16000	0.110
	1.6250"	0.4375"	-	-	-	SSR12 2RS	1467	900	11000	-	0.160
	1.6250"	0.4375"	-	-	-	SSR12 ZZ	1467	900	14400	-	0.160
0.8750"	1.8750"	0.5000"	-	-	-	SSR14 2RS	1467	1002	10000	-	0.220
	1.8750"	0.5000"	-	-	-	SSR14 ZZ	1467	1002	10800	-	0.220
1.0000"	2.0000"	0.3750"	-	-	-	SSR16	1669	1103	9900	12000	0.180
	2.0000"	0.5000"	-	-	-	SSR16 2RS	1669	1103	9000	-	0.240
	2.0000"	0.5000"	-	-	-	SSR16 ZZ	1669	1103	9900	-	0.240
1.1250"	2.1250"	0.5000"	-	-	-	SSR18 2RS	1942	1267	8000	-	0.270
	2.2500"	0.5000"	-	-	-	SSR20 2RS	2185	1522	7700	-	0.300
1.3750"	2.5000"	0.5625"	-	-	-	SSR22 2RS	2485	1720	7700	-	0.460
1.5000"	2.6250"	0.5625"	-	-	-	SSR24 2RS	3399	2307	7700	-	0.510



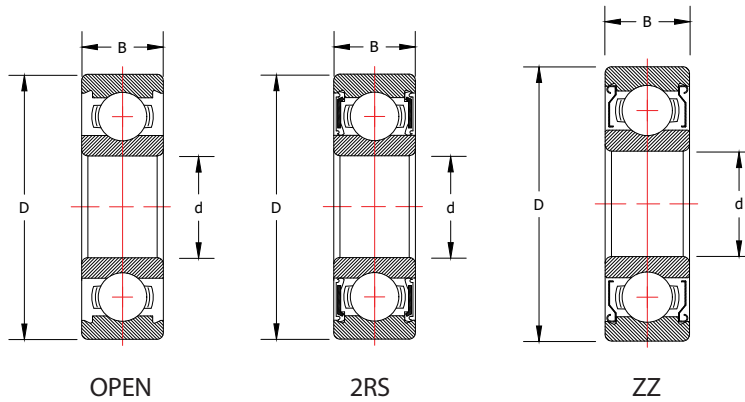
Dimensions			Flange Diameter (Df)	Flange Width (Bf)	Bearing Designation	Basic Radial Load Factors		Speed Rating Grease (RPM)	Speed Rating Oil	Weight (Lbs)
d (in)	D	B				Dynamic C (Lbs)	Static Co (Lbs)			
3	6	2.5	-	-	SSL630 ZZ	46	16	80000	90000	0.0006
	7	3	-	-	L730 ZZ	70	25	70000	80000	0.0010
	7	3	-	-	SSL730 ZZ	68	24	70000	80000	0.0010
	8	4	-	-	R830 ZZ	126	40	60000	70000	0.0017
	8	4	-	-	SSR830 ZZ	123	39	65000	75000	0.0017
	9	5	-	-	R930 ZZ	129	42	60000	70000	0.0017
	10	4	-	-	623 ZZ	142	49	44000	50000	0.0037
	10	4	-	-	623 2RS	142	49	30000	36000	0.0037
10	4	-	-	SS623 2RS	135	40	30000	36000	0.0037	
4	7	2.5	-	-	L740 ZZ	57	24	70000	80000	0.0007
	7	2.5	8.2	0.6	LF740 ZZ	57	24	70000	80000	0.0007
	7	2.5	-	-	SSL740 ZZ	48	18	70000	80000	0.0007
	8	3	-	-	L840 ZZ	89	31	65000	75000	0.0007
	8	3	9.2	0.6	SSLF840 ZZ	89	31	65000	75000	0.0007
	9	4	-	-	L940 ZZ	144	51	54000	64000	0.0021
	9	4	-	-	SSL940 ZZ	120	40	54000	64000	0.0021
	10	4	-	-	L1040 ZZ	160	61	59000	70000	0.0029
	10	4	11.6	0.6	LF1040 ZZ	160	61	55000	65000	0.0029
	10	4	-	-	SSL1040 ZZ	150	50	55000	65000	0.0029
	10	4	11.6	0.6	SSLF1040 ZZ	150	50	55000	65000	0.0029
	11	4	-	-	R1140 ZZ	216	78	40000	50000	0.0035
	11	4	-	-	SSR1140 ZZ	180	65	40000	50000	0.0035
	12	4	-	-	R1240 ZZ	216	78	38000	48000	0.0035
	12	4	-	-	SSR1240 ZZ	180	65	40000	50000	0.0035
	13	5	-	-	624 ZZ	292	109	42000	49000	0.0064
	13	5	-	-	624 2RS	292	109	29000	34000	0.0064
	13	5	-	-	SS624 2RS	240	89	29000	34000	0.0064
	13	5	-	-	SS624 ZZ	240	89	42000	49000	0.0064
	16	5	-	-	634 ZZ	301	116	37000	44000	0.0115
16	5	-	-	634 2RS	301	116	26000	31000	0.0115	
5	8	2.5	-	-	L850 ZZ	49	20	61000	70000	0.0008
	8	2.5	9.2	0.6	LF850 ZZ	49	20	61000	70000	0.0008
	8	2.5	9.2	0.6	SSLF850 ZZ	40	18	61000	70000	0.0008
	9	3	-	-	L950 ZZ	97	38	50000	60000	0.0013
	9	3	10.2	0.6	LF950 ZZ	97	38	50000	60000	0.0013
	9	3	10.2	0.6	SSL950 ZZ	80	32	50000	60000	0.0013
	9	3	10.2	0.6	SSLF950 ZZ	80	32	50000	60000	0.0013
	10	4	-	-	L1050 ZZ	97	38	58000	68000	0.0027
	10	4	11.6	0.6	LF1050 ZZ	112	49	58000	68000	0.0027
	10	4	-	-	SSL1050 ZZ	92	40	58000	68000	0.0027

Deep Groove Ball Bearings

Metric Miniatures



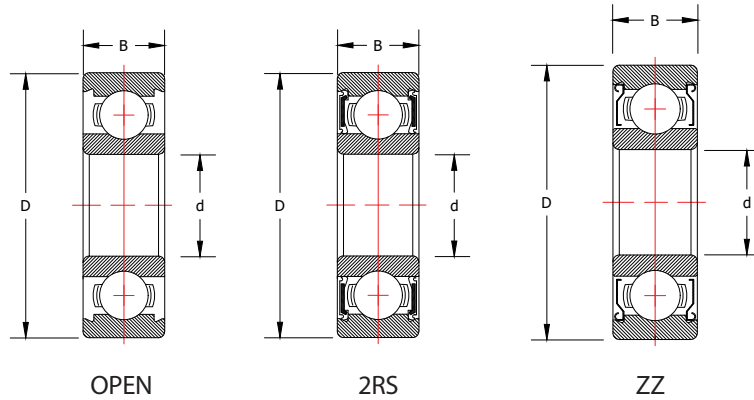
Dimensions			Flange Diameter (Df)	Flange Width (Bf)	Bearing Designation	Basic Radial Load Factors		Speed Rating Grease (RPM)	Speed Rating Oil	Weight (Lbs)
d (in)	D	B				Dynamic C (Lbs)	Static Co (Lbs)			
5	10	4	11.6	0.6	SSLF1050 ZZ	92	40	58000	68000	0.0027
	11	5	-	-	L1150 ZZ	161	64	54000	64000	0.0034
	11	4	-	-	L1150 ZZYO4	161	64	54000	64000	0.0034
	11	5	-	-	SSL1150 ZZ	140	50	54000	64000	0.0034
	11	4	12.6	0.8	SSL1150 ZZYO4	140	50	54000	64000	0.0034
	13	4	-	-	R1350 ZZ	243	97	35000	45000	0.0050
	13	4	-	-	SSR1350 ZZ	210	84	35000	45000	0.0050
	14	5	-	-	605 ZZ	254	114	34000	40000	0.0074
	14	5	-	-	605 2RS	299	114	24000	28000	0.0074
	14	5	-	-	SS605 ZZ	260	94	24000	28000	0.0074
	16	5	-	-	625	389	114	37000	44000	0.0100
	16	5	-	-	625 ZZ	389	114	37000	44000	0.0100
	16	5	-	-	625 2RS	389	151	26000	31000	0.0100
	16	5	-	-	SS625 2RS	380	120	26000	31000	0.0100
	16	5	-	-	SS625 ZZ	380	120	26000	31000	0.0100
	19	6	-	-	635 ZZ	526	200	38000	45000	0.0179
	19	6	-	-	635 2RS	526	200	30000	40000	0.0179
19	6	-	-	SS635 ZZ	450	160	30000	40000	0.0179	
6	10	3	-	-	L1060 ZZ	112	49	57000	64000	0.0016
	10	3	11.2	0.6	LF1060 ZZ	112	49	57000	64000	0.0016
	10	3	-	-	SSL1060 ZZ	92	40	57000	64000	0.0016
	10	3	11.2	0.6	SSLF1060 ZZ	92	40	57000	64000	0.0016
	12	4	-	-	L1260 ZZ	161	66	30000	36000	0.0035
	12	4	13.6	0.6	LF1260 ZZ	161	66	30000	36000	0.0035
	12	4	13.6	0.6	SSLF1260 ZZ	135	54	30000	36000	0.0035
	13	5	-	-	L1360 ZZ	243	98	30000	34000	0.0055
	13	3.5	-	-	L1360 2RS	243	98	30000	34000	0.0055
	13	5	-	-	SSL1360 ZZ	115	49	30000	34000	0.0055
	13	5	15	1	SSLF1360 ZZ	115	49	30000	34000	0.0055
	15	5	-	-	R1560 ZZ	301	116	33000	43000	0.0084
	15	5	17	1.2	RF1560 ZZ	301	116	33000	43000	0.0084
	15	5	-	-	SSR1560 ZZ	240	96	33000	43000	0.0084
	17	6	-	-	606 ZZ	508	188	35000	42000	0.0131
	17	6	-	-	606 2RS	508	188	25000	29000	0.0131
	17	6	-	-	SS606 2RS	400	160	35000	42000	0.0131
	17	6	-	-	SS606 ZZ	400	160	25000	29000	0.0131
	19	6	-	-	626 ZZ	526	200	34000	40000	0.0170
	19	6	-	-	626 2RS	526	200	24000	28000	0.0170
	19	6	-	-	SS626 2RS	530	200	24000	28000	0.0170
	19	6	-	-	SS626 ZZ	530	200	34000	40000	0.0170



Dimensions			Flange Diameter (Df)	Flange Width (Bf)	Bearing Designation	Basic Radial Load Factors		Speed Rating Grease (RPM)	Speed Rating Oil	Weight (Lbs)
d (in)	D	B				Dynamic C (Lbs)	Static Co (Lbs)			
6	22	7	-	-	636 ZZ	742	308	30000	30000	0.0282
	22	7	-	-	636 2RS	742	308	24000	30000	0.0282
7	11	3	-	-	L1170 ZZ	103	45	45000	55000	0.0017
	11	3	-	-	SSL1170 ZZ	83	38	45000	55000	0.0017
	13	4	-	-	SSL1370 ZZ	119	61	43000	50000	0.0044
	13	4	14.6	0.6	SSLF1370 ZZ	119	61	43000	50000	0.0044
	14	5	-	-	L1470 ZZ	265	115	29000	31000	0.0061
	14	5	-	-	SSL1470 ZZ	220	95	29000	31000	0.0061
	14	5	16	1	SSLF1470 ZZ	220	95	29000	31000	0.0061
	17	5	-	-	697 ZZ	362	161	40000	47000	0.0111
	17	5	-	-	SS697 ZZ	295	129	40000	47000	0.0111
	19	6	-	-	607 ZZ	526	200	34000	40000	0.0160
	19	6	-	-	607 2RS	526	200	24000	28000	0.0160
	22	7	-	-	627 ZZ	742	308	32000	37000	0.0269
22	7	-	-	627 2RS	742	308	22000	26000	0.0269	
8	12	3.5	-	-	L1280 ZZ	122	62	30000	34000	0.0022
	12	3.5	13.6	0.6	LF1280 ZZ	122	62	30000	34000	0.0022
	12	3.5	-	-	SSL1280 ZZ	100	50	30000	34000	0.0022
	14	4	-	-	L1480 ZZ	184	87	29000	31000	0.0044
	14	4	15.6	0.8	SSLF1480 ZZ	150	60	29000	31000	0.0044
	16	5	-	-	L1680 ZZ	283	133	25000	27000	0.0084
	16	5	-	-	L1680 DD	283	133	25000	27000	0.0084
	16	5	18	1	LF1680 ZZ	283	133	25000	27000	0.0084
	16	5	-	-	SSL1680 DD	170	79	15000	20000	0.0084
	16	5	-	-	SSL1680 ZZ	170	79	25000	27000	0.0084
	16	5	18	1	SSLF1680 ZZ	170	79	25000	27000	0.0084
	19	6	-	-	R1980 ZZ	504	205	25000	35000	0.0148
	19	6	-	-	R1980 DD	504	205	25000	32000	0.0148
	19	6	22	1.5	RF1980ZZ	504	205	25000	35000	0.0148
	19	6	-	-	SSR1980 ZZ	472	192	25000	32000	0.0148
	22	7	-	-	608	742	308	34000	40000	0.0256
	22	7	-	-	608 ZZ	742	308	33000	39000	0.0256
	22	7	-	-	608 2RS	742	308	33000	39000	0.0256
	22	7	-	-	SS608	740	310	33000	39000	0.0256
	22	7	-	-	SS608 2RS	740	310	30000	34000	0.0256
	22	7	-	-	SS608 ZZ	740	310	30000	34000	0.0256
	22	7	25	1.5	SSF608 ZZ	740	310	30000	34000	0.0256
	22	6	-	-	X117 2RS	696	289	20000	27000	0.0218
	22	6	-	-	X117 ZZ	696	289	24000	32000	0.0218

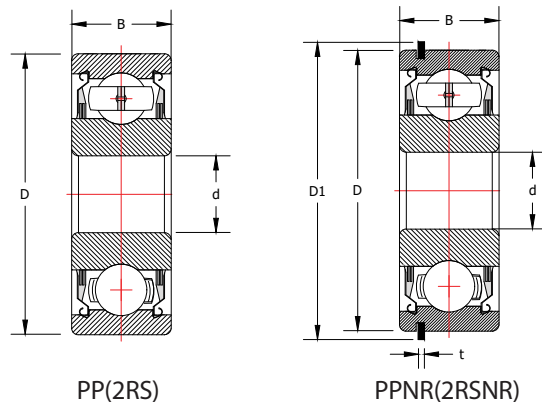
Deep Groove Ball Bearings

Metric Miniatures



Dimensions			Flange Diameter (Df)	Flange Width (Bf)	Bearing Designation	Basic Radial Load Factors		Speed Rating Grease (RPM)	Speed Rating Oil	Weight (Lbs)
d (in)	D	B				Dynamic C (Lbs)	Static Co (Lbs)			
8	22	6	-	-	X117	696	289	24000	32000	0.0218
	24	8	-	-	628 ZZ	749	317	30000	37000	0.0379
	24	8	-	-	628 2RS	749	317	21000	26000	0.0379
	28	9	-	-	638 ZZ	1030	443	28000	33000	0.0379
	28	9	-	-	638 2RS	1030	443	24000	28000	0.0379
9	14	4.5	-	-	679 ZZ	207	105	40000	47000	0.0041
	17	5	-	-	L1790 ZZ	299	149	24000	25000	0.0091
	17	5	-	-	SSL1790 ZZ	240	120	24000	25000	0.0091
	17	5	19	1.1	SSLF1790 ZZ	240	120	24000	25000	0.0091
	20	6	-	-	L2090 ZZ	555	241	20000	23000	0.0167
	20	6	-	-	L2090 DD	555	241	20000	23000	0.0167
	20	6	-	-	SSL2090 ZZ	450	200	20000	23000	0.0167
	24	7	-	-	609 ZZ	753	321	31000	36000	0.0309
	24	7	-	-	609 2RS	753	321	22000	25000	0.0309
	24	7	-	-	SS609 2RS	600	270	22000	25000	0.0309
	24	7	-	-	SS609 ZZ	600	270	31000	36000	0.0309
	26	8	-	-	629 ZZ	1020	540	30000	35000	0.0417
	26	8	-	-	629 2RS	1020	540	21000	25000	0.0417
10	19	7	-	-	L1910 ZZ	387	189	24000	25000	0.0154
	19	7	-	-	L1910 DD	387	189	18000	20000	0.0154
	19	7	-	-	SSL1910 ZZ	350	170	24000	25000	0.0154

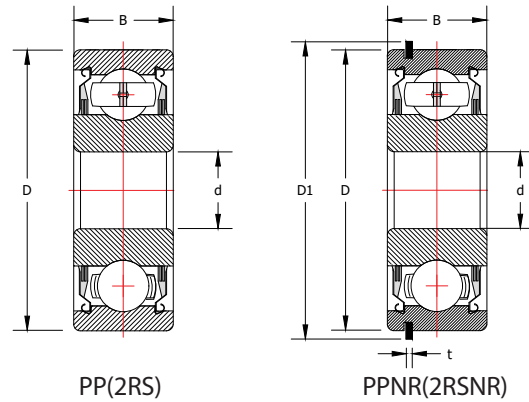
Cartridge-Type bearings are single row radial ball bearings that follow the basic 6200/6300 series dimensions except with special wider (domestic inch dimension) width. This width creates an extra large grease chamber that is packed with high quality grease. The bearings feature full contact rubber seals (2RS) to retain the grease and protect the bearing from contaminants. This design is appropriate for applications that demand or benefit from a larger grease supply inside the bearing.



Dimensions			Snap Ring Diameter (D1) (mm)	Snap Ring Width (t)	Bearing Designation	Basic Radial Load Factors Dynamic C (Lbs)	Speed Rating Grease (RPM)	Weight (Lbs)
d (mm)	D	B						
10	30	14.3	34.7	1.1	W200PP	1000	15000	0.100
	30	14.3			W200PPNR	1000	15000	0.100
12	32	14.3	36.7	1.1	W201PP	1500	13000	0.130
	32	14.3			W201PPNR	1500	13000	0.130
15	35	15.9	39.7	1.1	W202PP	1700	12000	0.150
	35	15.9			W202PPNR	1700	12000	0.150
	42	19.1			W302PP	5854	7800	0.320
17	40	15.9	44.6	1.1	W203PP	2160	11000	0.210
	40	15.9			W203PPNR	2160	11000	0.210
	47	22.2			W303PP	5854	6600	0.470
20	47	15.9	52.7	1.1	W204PP	2800	10000	0.340
	47	15.9			W204PPNR	2800	10000	0.340
	52	22.2			W304PP	6587	6000	0.440
25	52	15.9	57.9	1.1	W205PP	3100	8000	0.390
	52	15.9			W205PPNR	3100	8000	0.390
	62	25.4			W305PP	6587	5700	0.780
30	62	17.5	67.7	1.7	W206PP	4400	7000	0.630
	62	17.5			W206PPNR	4400	7000	0.630
	72	30.2			W306PP	7084	5400	1.130
35	72	17.5	78.6	1.7	W207PP	5700	6000	0.960
	72	17.5			W207PPNR	5700	6000	0.960
	80	34.9			W307PP	8730	5100	1.640
40	80	20.6	86.6	1.7	W208PP	6500	5000	1.280
	80	20.6			W208PPNR	6500	5000	1.280
	90	36.5			W308PP	2295	4700	2.060
45	100	39.7	91.6	1.7	W309PP	2295	4700	3.000
	85	20.6			W209PP	7300	5000	1.370
	85	20.6			W209PPNR	7300	5000	1.370
50	110	44.5	116.6	24.6	W310PP	12510	3800	3.750
	110	44.5			W310PPNR	12510	3800	3.750

Deep Groove Ball Bearings

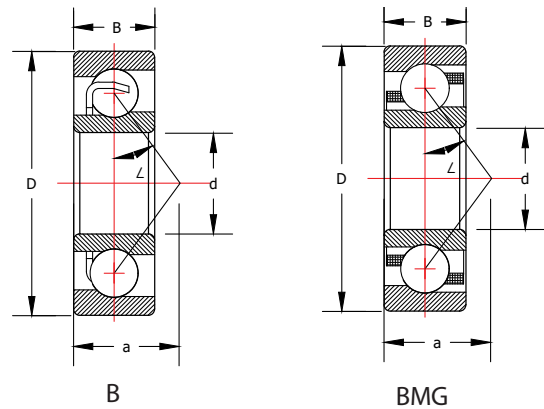
Cartridge Type Bearings



d (mm)	Dimensions		Snap Ring Diameter (D2) (mm)	Snap Ring Width (f)	Bearing Designation	Basic Radial Load Factors Dynamic C (Lbs)	Speed Rating Grease (RPM)	Weight (Lbs)
	D	B						
50	90	20.6	96.5	2.5	W210PP	7800	4000	1.690
	90	20.6			W210PPNR	7800	4000	1.450
55	100	33.3	106.5	2.5	W211PPNR	9800	4000	2.040
	120	49.2			W311PP	16100	3500	4.940
60	110	36.5	116.6	2.5	W212PP	11000	4000	2.800
	110	36.5			W212PPNR	11000	4000	2.800
	130	54.0	139.7	2.8	W312PP	18400	3200	7.910
	130	54.0			W312PPNR	18400	3200	7.910
65	120	38.1	129.7	2.8	W213PP	12600	3500	3.500
	120	38.1			W213PPNR	12600	3500	3.500
	140	58.8	W313PP	20800	2900	8.560		
70	125	39.7	134.7	2.8	W214PP	12600	3500	3.990
	125	39.7			W214PPNR	12600	3500	3.990
	150	63.5	W314PP	23400	2800	10.43		
75	130	41.3	139.7	2.8	W215PP	13000	3500	4.120
	130	41.3			W215PPNR	13000	3500	4.120
	160	68.3	169.7	2.8	W315PP	25500	2600	12.81
	160	68.3			W316PP	27600	2400	13.38
80	140	44.5	149.7	2.8	W216PP	15750	3300	5.200
	140	44.5			W216PPNR	15750	3300	5.200
85	150	50.2	159.7	2.8	W217PP	16000	3250	6.850
	150	49.2			W217PPNR	16000	3250	6.850
	180	73.0	W317PP	29800	2300	15.75		
90	160	52.4	169.7	2.8	W218PP	19500	3300	8.120
	160	52.4			W218PPNR	19500	3300	8.120
	190	73.0	W318PP	32000	2200	18.32		
95	200	77.8			W319PP	34500	2000	23.00
100	215	82.6			W320PP	39000	1900	26.88

Single Row Angular Contact Ball Bearings

Single Row Angular Contact Ball Bearings are used in applications that call for thrust or combination thrust and radial loads. Standard production is made with a 40° contact angle (B Suffix) but can also be produced with a 25° contact angle (A Suffix) or a 15° angle (C suffix). Retainers are constructed of steel (B/BG) or brass (B/BMG). Non-Metallic cages can be made upon request.



Dimensions			Bearing Designation	Dynamic C (Lbs)	Static Load Co (Lbs)	Speed Rating Grease (RPM)	Speed Rating Oil	Weight (Lbs)
d (mm)	D	B						
10	30	9	7200B	1113	562	19000	28000	0.070
12	32	10	7201B	1664	843	17000	24000	0.100
15	35	11	7202B	1675	877	16000	22000	0.110
	42	13	7302B	2900	1461	14000	19000	0.200
17	40	12	7203B	2473	1371	14000	19000	0.160
	40	12	7203BG	2472	1371	14000	19000	0.160
	47	14	7303B	3327	1821	12000	17000	0.270
20	47	14	7204B	3170	1888	11000	16000	0.250
	47	14	7204BG	3169	1888	11000	16000	0.250
	47	14	7204BMG	3169	1888	11000	16000	0.260
	52	15	7304B	3889	2181	10000	15000	0.340
	52	15	7304BMG	3889	2180	10000	15000	0.350
25	52	15	7205B	3485	2271	9500	14000	0.300
	52	15	7205BG	3484	2270	9500	14000	0.300
	52	15	7205BMG	3484	2270	9500	14000	0.310
	62	17	7305B	5485	3282	8500	12000	0.540
	62	17	7305BMG	5485	3282	8500	12000	0.550
30	62	16	7206B	4608	3057	8500	12000	0.460
	62	16	7206BG	4608	3057	8500	12000	0.460
	62	16	7206BMG	4608	3057	8500	12000	0.470
	72	19	7306B	6587	4271	7500	10000	0.800
	72	19	7306BG	6586	4271	7500	10000	0.800
35	72	19	7306BMG	6586	4271	7500	10000	0.810
	72	17	7207B	6407	4451	7500	10000	0.650
	72	17	7207BG	6407	4451	7500	10000	0.650
	72	17	7207BMG	6407	4451	7500	10000	0.660
	80	21	7307B	8250	5463	7000	9500	1.050
40	80	21	7307BMG	8250	5462	7000	9500	1.070
	80	18	7208B	9037	5171	7500	10000	0.850
	80	18	7208BG	7216	5170	6700	9000	0.850
	80	18	7208BMG	7216	5170	6700	9000	0.860
	90	23	7308B	10071	6812	6300	8500	1.450
45	90	23	7308BMG	10071	6811	6300	8500	1.490
	85	19	7209B	8116	5890	6300	8500	0.950
	85	19	7209BG	8115	5889	6300	8500	0.950
	85	19	7209BMG	8115	5889	6300	8500	0.970
100	25	7309B	13106	9015	5600	7500	1.930	

Chart continues on next page

Angular Contact Ball Bearings

Single Row Angular Contact Ball Bearings



Dimensions			Bearing Designation	Dynamic C (Lbs)	Static Load Co (Lbs)	Speed Rating Grease (RPM)	Speed Rating Oil	Weight (Lbs)
d (mm)	D	B						
50	90	20	7210B	1664	843	17000	24000	1.070
	90	20	7210BG	8407	6429	5600	7500	1.070
	90	20	7210BMG	8407	6429	5600	7500	1.120
	110	27	7310B	15332	10768	5000	6700	2.510
	110	27	7310BMG	15331	10768	5000	6700	2.510
55	100	21	7211BG	10386	8138	5300	7000	1.400
	100	21	7211BMG	10386	8138	5300	7000	1.450
	120	29	7311BMG	17714	12679	4500	6000	3.200
60	110	22	7212BG	12656	10048	4800	6300	1.810
	110	22	7212BMG	12656	10048	4800	6300	1.817
	130	31	7312BMG	20232	14724	4300	5600	3.990
65	120	23	7213BG	14297	11802	4300	5600	2.250
	120	23	7213BMG	14297	11802	4300	5600	2.420
	140	33	7313BMG	22705	16928	4000	5300	4.900
70	125	24	7214BMG	15534	12993	4300	5600	2.470
	150	35	7314BMG	25628	19333	3800	5000	5.950
75	130	25	7215BG	16815	14207	4000	5300	2.710
	130	25	7215BMG	16815	14207	4000	5300	2.830
	160	37	7315BMG	28101	21918	3400	4500	6.950
80	140	26	7216BMG	18097	15579	3800	5000	3.990
	170	39	7316BMG	30349	24504	3200	4300	8.490
85	150	28	7217BMG	20929	18232	3400	4500	4.120
	180	41	7317BMG	32597	27426	3000	4000	9.990
90	160	30	7218BMG	24054	21087	3200	4300	5.070
	190	43	7318BMG	35070	30349	2800	3800	11.70
95	170	32	7219BMG	26077	22705	3000	4000	6.130
	200	45	7319BMG	37767	33721	2600	3600	13.50
100	180	34	7220BMG	29000	26077	2800	3800	7.320
	215	47	7320BMG	42713	40015	2400	3400	16.60
110	200	38	7222BMG	34395	32597	2400	3400	11.22
	240	50	7322BMG	55752	51481	2000	3000	24.53
120	215	40	7224BMG	36000	35998	2100	2800	14.08
	260	55	7324BMG	58000	53100	2050	2500	31.68
130	230	40	7226BMG	39100	42100	1800	2500	15.95
140	250	42	7228BMG	42938	47209	1700	2400	19.91
150	270	45	7230BMG	43837	49907	1700	2400	24.42

Double Row Angular Contact Ball Bearings

Double row angular contact ball bearings are used in instances of heavy radial loads, combined radial and thrust loads, and two directional loads. They correspond in design to 2 single row angular contact ball bearings but take up less axial space. They provide stiff bearing arrangements and are able to accommodate tilting moments.

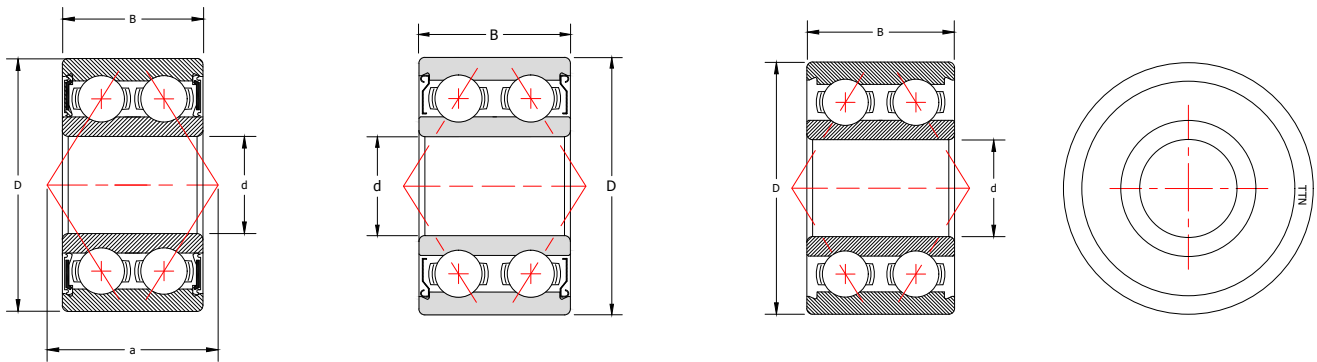


Dimensions			Bearing Designation	Dynamic C (Lbs)	Static Load Co (Lbs)	Speed Rating Grease (RPM)	Speed Rating Oil	Weight (Lbs)
d (mm)	D	B						
10	26	12	3000 2RS	1217	683	18100		0.055
	30	14	5200	1562	854	16000	22000	0.120
	30	14	5200 2RS	1562	854	14400		0.120
	30	14	5200 ZZ	1562	854	16000		0.120
12	28	12	3001 2RS	1303	790	15800		0.055
	32	15.9	5201	2057	1135	15000	20000	0.140
	32	15.9	5201 2RS	2057	1135	13500		0.130
	32	15.9	5201 ZZ	2057	1135	15000		0.130
	37	19	5301 ZZ	2630	1574	17000		0.230
15	32	13	3002 2RS	1815	1153	13000		0.079
	35	15.9	5202	2248	1360	12000	17000	0.160
	35	15.9	5202 2RS	2248	1360	10800		0.150
	35	15.9	5202 ZZ	2248	1360	12000		0.150
	42	19	5302	3867	2271	9900	13000	0.300
	42	19	5302 2RS	3867	2271	8900		0.290
	42	19	5302 ZZ	3867	2271	9900		0.290
17	35	14	3003 2RS	1943	1303	12300		0.093
	40	17.5	5203	2878	1776	10000	15000	0.230
	40	17.5	5203 2RS	2878	1776	9000		0.220
	40	17.5	5203 ZZ	2878	1776	10000		0.220
	47	22.2	5303	4586	2720	9000	12000	0.430
	47	22.2	5303 2RS	4586	2720	8100		0.420
	47	22.2	5303 ZZ	4586	2720	9000		0.420
20	42	16	3004 2RS	3054	2008	10500		0.176
	47	0.9375"	W5204 2RS	4000	2650	7900		0.440
	47	20.6	5204	4271	2720	9000	13000	0.370
	47	20.6	5204 2RS	4271	2720	8100		0.350
	47	20.6	5204 ZZ	4271	2720	9000		0.350
	47	20.6	5204 ZZ	4271	2720	9000		0.350
	52	22.2	5304	4631	2855	8000	11000	0.510
	52	22.2	5304 2RS	4631	2855	7700		0.510
	52	22.2	5304 ZZ	4631	2855	8500		0.510
25	47	16	3005 2RS	3246	2328	8800		0.220
	52	20.6	5205	4631	3215	8000	11000	0.430
	52	20.6	5205 2RS	4631	3215	7200		0.410
	52	20.6	5205 ZZ	4631	3215	8000		0.410
	62	25.4	5305	6857	4609	6700	8900	0.820
	62	25.4	5305 NR	6857	4609	6700	8900	0.820
	62	25.4	5305 ZZ	6857	4609	7500		0.810

Chart continues on next page

Angular Contact Ball Bearings

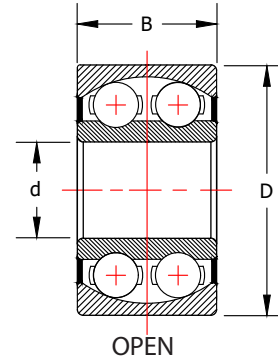
Double Row Angular Contact Ball Bearings



Dimensions			Bearing Designation	Dynamic C (Lbs)	Static Load Co (Lbs)	Speed Rating Grease (RPM)	Speed Rating Oil	Weight (Lbs)
d (mm)	D	B						
30	55	19	3006 2RS	4250	3289	7400		0.353
	62	23.8	5206	6430	4586	7000	9500	0.700
	62	23.8	5206 2RS	6430	4586	6300		0.680
	62	23.8	5206 ZZ	6430	4586	7000		0.680
	62	1.0625"	W5206 2RS	5900	4650	5800		0.850
	72	30.2	5306	8880	6182	5700	7600	1.290
	72	30.2	5306 2RS	8880	6182	6300		1.270
	72	30.2	5306 ZZ	8880	6182	6300		1.270
35	72	27	5207	8543	6250	6000	8000	1.070
	72	27	5207 2RS	8543	6250	5400		1.040
	72	27	5207 ZZ	8542	6250	6000		1.040
	80	34.9	5307	11128	7868	5000	6600	1.800
	80	34.9	5307 2RS	11128	7868	4500		1.710
	80	34.9	5307 ZZ	11128	7868	5000		1.710
40	80	30.2	5208	9554	7306	5600	7500	1.440
	80	30.2	5208 2RS	9554	7306	5000		1.400
	80	30.2	5208 ZZ	9554	7306	5600		1.400
	80	36.5	5308	13601	9892	4400	5900	2.360
	90	36.5	5308 NR	13601	9892	4400	5900	2.360
	90	36.5	5308 2RS	13601	9892	4200		2.360
	90	36.5	5308 ZZ	13601	9892	4700		2.360
	45	85	30.2	5209	10791	8318	5000	6700
85		30.2	5209 2RS	10791	8318	4500		1.520
85		30.2	5209 ZZ	10791	8318	5000		1.520
100		39.7	5309	16299	12140	4000	5300	3.130
100		39.7	5309 NR	16299	12140	4000	5300	3.130
100		39.7	5309 2RS	16299	12140	4100		3.090
100		39.7	5309 ZZ	16299	12140	4500		3.090
50		90	30.2	5210	11465	9442	4000	5300
	90	30.2	5210 2RS	11465	9442	4500		1.620
	90	30.2	5210 ZZ	11465	9442	5000		1.620
	110	44.4	5310	19221	14500	3600	4800	4.260
	110	44.4	5310 2RS	19221	14500	4100		4.190
	110	44.4	5310 ZZ	19221	14500	4500		4.190
55	100	33.3	5211 2RS	14163	11915	3600		2.310
	100	33.3	5211 ZZ	14163	11915	4000		2.310
	120	49.2	5311 2RS	23830	18434	3600		5.380
	120	49.2	5311 ZZ	23830	18434	4000		5.380
60	110	36.5	5212	16074	13151	3400	4500	3.090
	110	36.5	5212 2RS	16074	13151	3400		2.990
	110	36.5	5212 ZZ	16074	13151	3800		2.990
	130	54	5312 2RS	27427	21469	2400		6.83
	130	54	5312 ZZ	27427	21469	2720		6.83

Self-Aligning Ball Bearings

Self-Aligning Ball Bearings have two rows of balls and are constructed with the inner ring and ball assembly contained within an outer ring which has a spherical raceway for self-aligning. Very loose conformity between balls and outer ring keeps friction and frictional heat at low levels and results in excellent high-speed performance. The reduced friction can also reduce noise and vibration levels, and lead to extended bearing life and maintenance intervals. They are particularly suitable for light duty applications where misalignment occurs from errors in mounting and/or from shaft deflection.¹



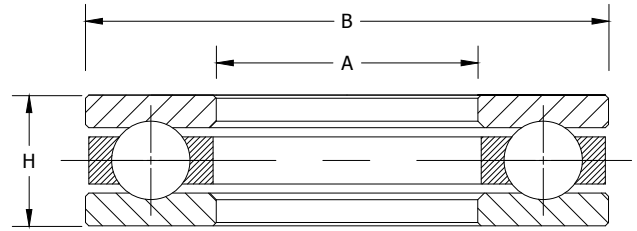
Dimensions			Bearing Designation	Dynamic C (Lbs)	Static Load Co (Lbs)	Speed Rating Grease (RPM)	Speed Rating Oil	Weight (Lbs)
d (mm)	D	B						
10mm	30mm	9mm	1200	1236	270	30000	24000	0.08
	30mm	14mm	2200 2RS	1619	360	-	22000	0.11
12mm	32mm	10mm	1201	1259	281	28000	22000	0.09
	32mm	14mm	2201 2RS	1709	393	-	20000	0.12
15mm	35mm	11mm	1202	1686	393	24000	19000	0.11
	35mm	14mm	2202 2RS	1731	416	-	18000	0.13
17mm	40mm	12mm	1203	1776	461	22000	18000	0.17
	40mm	16mm	2203 2RS	2203	540	-	17000	0.20
20mm	47mm	14mm	1204	2226	596	18000	15000	0.27
	47mm	18mm	2204 2RS	2833	742	-	14000	0.31
25mm	52mm	15mm	1205	2743	517	16000	13000	0.32
	52mm	18mm	2205 2RS	2743	517	-	7000	0.36
30mm	62mm	16mm	1206	3530	1057	13000	10000	0.49

The 2200 Series is supplied pre-lubricated with high quality PolyRex EM polyurea based grease, and equipped with seals to prevent dust and dirt from entering the raceways. These are appropriate for applications where the bearings exposed to dirty environments.

¹For applications where higher bearing load carrying capacity is required (particularly axial load), spherical roller bearings, which have the same self-aligning property, should be used.

Thrust Ball Bearings

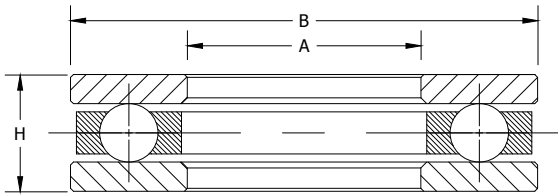
W Series Thrust Ball Bearings



- Medium cross section
- Grooved races
- Single direction
- Separable axial contact
- Rings and balls constructed of thru-hardened 52100 steel

Dimensions			Bearing Designation	Dynamic C (Lbs)	Static Load Co (Lbs)	Speed Rating Grease (RPM)	Speed Rating Oil	Weight (Lbs)
d (in)	D	T						
0.250"	0.8130"	0.375"	W1/4	1053	1170	12000	15000	0.04
0.313"	1.0000"	0.531"	W5/16	1719	2250	8800	11000	0.08
0.375"	1.0000"	0.531"	W3/8	1719	2250	8800	11000	0.08
0.438"	1.2810"	0.625"	W7/16	2835	4005	6400	8000	0.16
0.500"	1.2810"	0.625"	W1/2	2835	4005	6400	8000	0.15
0.563"	1.4060"	0.625"	W9/16	3915	5670	6400	8000	0.18
0.625"	1.4060"	0.625"	W5/8	3915	5670	6400	8000	0.17
0.750"	1.5310"	0.625"	W3/4	3150	4950	5600	7000	0.19
0.875"	1.6560"	0.625"	W7/8	3780	7020	4800	6000	0.22
1.000"	1.7810"	0.625"	W1	3375	5940	4400	5500	0.23
1.125"	1.9060"	0.625"	W1 1/8	3285	5940	4000	5000	0.25
1.250"	2.0940"	0.719"	W1 1/4	5400	10080	3760	4700	0.36
1.375"	2.2190"	0.719"	W1 3/8	5580	10890	3520	4400	0.38
1.500"	2.3440"	0.719"	W1 1/2	4320	8820	3280	4100	0.40
1.625"	2.4690"	0.719"	W1 5/8	5760	12510	3040	3800	0.43
1.750"	2.6880"	0.750"	W1 3/4	5850	13140	2880	3600	0.55
1.875"	2.8130"	0.750"	W1 7/8	5580	12510	2640	3300	0.56
2.000"	2.9690"	0.750"	W2	5580	12510	2560	3200	0.61
2.125"	3.2190"	0.875"	W2 1/8	7830	18000	2400	3000	0.77
2.250"	3.3440"	0.875"	W2 1/4	8280	20250	2240	2800	0.93
2.375"	3.5940"	1.000"	W2 3/8	11340	27450	2080	2600	1.29
2.50"	3.7190"	1.000"	W2 1/2	11160	27450	2080	2600	1.33
2.625"	3.8440"	1.000"	W2 5/8	10350	24300	2000	2500	1.40
2.750"	4.0310"	1.000"	W2 3/4	10890	27450	1840	2300	1.49
2.875"	4.1560"	1.000"	W2 7/8	10890	27450	1840	2300	1.54
3.000"	4.3750"	1.125"	W3	15210	40050	1680	2100	2.02
3.125"	4.5000"	1.125"	W3 1/8	14940	40050	1600	2000	2.08
3.250"	4.8130"	1.250"	W3 1/4	18180	47700	1600	2000	2.50
3.375"	4.9380"	1.250"	W3 3/8	17640	45900	1520	1900	2.81
3.500"	5.0630"	1.250"	W3 1/2	17190	45900	1520	1900	2.88
3.625"	5.1880"	1.250"	W3 5/8	17190	45900	1440	1800	3.20
3.750"	5.3130"	1.250"	W3 3/4	17190	45900	1360	1700	3.30
3.875"	5.6880"	1.375"	W3 7/8	20880	55800	1360	1700	4.06
4.000"	5.8130"	1.375"	W4	20880	55800	1280	1600	4.15
4.250"	6.3130"	1.750"	W4 1/4	29700	81000	1200	1500	6.75
4.500"	6.5000"	1.750"	W4 1/2	29700	81000	1120	1400	7.85
4.750"	7.0630"	2.000"	W4 3/4	39600	108900	1040	1300	8.80
5.000"	7.3130"	2.000"	W5	38700	108900	1040	1300	10.10
5.500"	8.0630"	2.125"	W5 1/2	47700	139500	960	1200	13.71
6.000"	8.6880"	2.375"	W6	49500	144000	880	1100	16.70
6.500"	9.4060"	2.500"	W6 1/2	54000	162000	800	1000	20.33
7.000"	10.125"	2.625"	W7	59400	181800	720	900	25.00
7.500"	10.875"	2.750"	W7 1/2	63000	202500	680	850	29.98

EW Series Thrust Ball Bearings

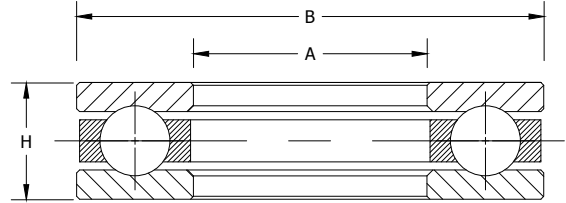


- Light cross section
- Flat races
- Single direction
- Rings and balls constructed of thru-hardened 52100 steel
- Retainer is bronze (M) or plastic (TN) for bore diameters of 1/2" and smaller

Dimensions			Bearing Designation	Dynamic C (Lbs)	Static Load Co (Lbs)	Speed Rating Grease (RPM)	Speed Rating Oil	Weight (Lbs)
d (in)	D	T						
0.250"	0.656"	0.25000"	EW1/4	257	91	14400	18000	0.02
0.313"	0.750"	0.25000"	EW5/16	292	121	12000	15000	0.02
0.375"	0.813"	0.25000"	EW3/8	279	121	10400	13000	0.02
0.500"	0.969"	0.25000"	EW1/2	351	181	8800	11000	0.03
0.625"	1.094"	0.28125"	EW5/8	468	234	7600	9500	0.03
0.750"	1.313"	0.28125"	EW3/4	495	284	6000	7500	0.05
0.875"	1.500"	0.37500"	EW7/8	702	410	5200	6500	0.09
1.000"	1.625"	0.37500"	EW1	684	410	4800	6000	0.09
1.125"	1.750"	0.37500"	EW1 1/8	729	477	4400	5500	0.10
1.250"	2.063"	0.50000"	EW1 1/4	1170	729	3840	4800	0.20
1.375"	2.188"	0.50000"	EW1 3/8	1260	846	3520	4400	0.22
1.500"	2.313"	0.50000"	EW1 1/2	1422	1026	3440	4300	0.24
1.625"	2.438"	0.50000"	EW1 5/8	1323	963	3120	3900	0.25
1.750"	2.625"	0.62500"	EW1 3/4	1656	1224	2880	3600	0.39
1.875"	2.750"	0.62500"	EW1 7/8	1629	1224	2720	3400	0.41
2.000"	2.875"	0.62500"	EW2	1602	1224	2560	3200	0.43

Thrust Ball Bearings

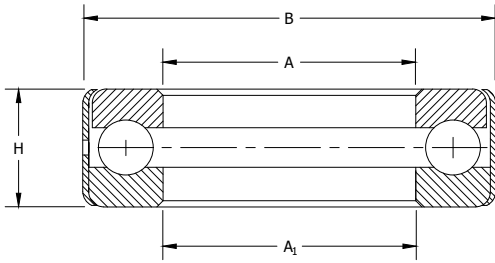
XW Series Thrust Ball Bearings



- Light cross section
- Grooved races
- Single direction
- Rings and balls constructed of thru-hardened 52100 steel
- Retainer is machined bronze

Dimensions			Bearing Designation	Dynamic C (Lbs)	Static Load Co (Lbs)	Speed Rating Grease (RPM)	Speed Rating Oil	Weight (Lbs)
d (in)	D	T						
2.000"	3.063"	0.688"	XW2	6300	15570	2400	3000	0.62
2.125"	3.188"	0.688"	XW2 1/8	6300	15570	2400	3000	0.69
2.250"	3.352"	0.688"	XW2 1/4	5220	13950	2240	2800	0.71
2.375"	3.438"	0.688"	XW2 3/8	5220	13950	2240	2800	0.77
2.500"	3.563"	0.688"	XW2 1/2	5400	15210	2080	2600	0.76
2.625"	3.750"	0.750"	XW2 5/8	5850	15570	2000	2500	0.89
2.750"	3.875"	0.750"	XW2 3/4	5760	15570	1920	2400	0.92
2.875"	4.000"	0.750"	XW2 7/8	6030	17190	1840	2300	1.10
3.000"	4.125"	0.750"	XW3	8460	26280	1760	2200	1.02
3.125"	4.250"	0.750"	XW3 1/8	8460	26280	1760	2200	1.05
3.250"	4.375"	0.750"	XW3 1/4	6300	18630	1680	2100	1.07
3.375"	4.500"	0.750"	XW3 3/8	6300	18630	1680	2100	1.30
3.500"	4.625"	0.750"	XW3 1/2	6390	20250	1520	1900	1.14
3.625"	4.750"	0.750"	XW3 5/8	6390	20250	1520	1900	1.17
3.750"	4.875"	0.750"	XW3 3/4	6660	21870	1440	1800	1.21
3.875"	5.000"	0.750"	XW3 7/8	6660	21870	1440	1800	1.24
4.000"	5.250"	0.875"	XW4	9630	31500	1360	1700	1.71
4.250"	5.500"	0.875"	XW4 1/4	10530	36000	1280	1600	1.82
4.500"	5.750"	1.000"	XW4 1/2	10890	40500	1200	1500	2.29
4.750"	6.000"	1.000"	XW4 3/4	10890	40500	1200	1500	2.39
5.000"	6.500"	1.018"	XW5	12780	42750	1120	1400	2.93
5.250"	6.750"	1.125"	XW5 1/4	12780	45900	1040	1300	3.50
5.500"	7.000"	1.007"	XW5 1/2	12780	45900	1040	1300	3.80
5.750"	7.250"	1.125"	XW5 3/4	13320	48600	960	1200	3.90
6.000"	7.625"	1.250"	XW6	16200	59400	960	1200	4.80
6.500"	8.125"	1.250"	XW6 1/2	17010	63900	880	1100	5.12
7.000"	8.750"	1.375"	XW7	20070	75600	800	1000	6.50
7.500"	9.250"	1.375"	XW7 1/2	20880	81000	760	950	7.10
8.000"	10.00"	1.500"	XW8	17370	63900	680	850	9.40
8.500"	10.50"	1.500"	XW8 1/2	26280	105300	680	850	9.74
9.000"	11.25"	1.875"	XW9	35190	144000	640	800	15.20
9.500"	11.75"	1.875"	XW9 1/2	36630	152100	600	750	15.80
10.00"	12.50"	2.125"	XW10	48600	196200	560	700	21.15
10.50"	13.00"	2.125"	XW10 1/2	48600	208800	520	650	22.20
11.00"	13.75"	2.375"	XW11	54900	225000	520	650	28.70

B Series Thrust Ball Bearings

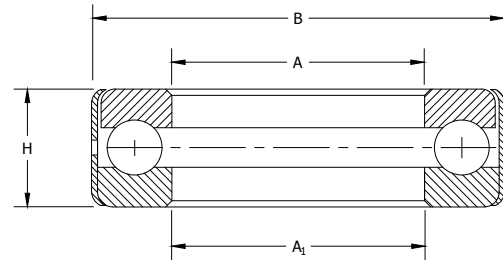


- Banded assembly - non-separable
- Single direction - flat seat design
- Grooved races
- Inch dimensions
- Rings and balls are constructed of thru-hardened 52100 steel
- Band is constructed of high quality low carbon steel
- Bearings are supplied with light oil lubrication

Dimensions				Bearing Designation	Balls		Dynamic C (Lbs)	Static Load Co (Lbs)	Limiting Speed (RPM)	Weight (Lbs)
A (in)	B	H	A1		No.	Size				
.503"	1.219"	.625"	.531"	B1	10	1/4	775	3993	3650	0.13
.566"	1.219"	.625"	.594"	B2	10	1/4	775	3993	3650	0.13
.628"	1.344"	.625"	.656"	B3	12	1/4	829	4792	3500	0.16
.691"	1.344"	.625"	.719"	B4	12	1/4	829	4792	3500	0.14
.753"	1.469"	.625"	.781"	B5	13	1/4	855	5191	3350	0.16
.816"	1.469"	.625"	.844"	B6	13	1/4	855	5191	3350	0.16
.878"	1.844"	.750"	.906"	B7	14	5/16	1317	8736	2750	0.34
.941"	1.844"	.750"	.969"	B8	14	5/16	1317	8736	2750	0.32
1.003"	1.969"	.750"	1.031"	B9	12	3/8	1722	10778	2700	0.36
1.066"	1.969"	.750"	1.094"	B10	12	3/8	1722	10778	2700	0.34
1.128"	2.094"	.750"	1.156"	B11	13	3/8	1774	11677	2500	0.40
1.191"	2.094"	.750"	1.219"	B12	13	3/8	1774	11677	2500	0.38
1.253"	2.344"	.750"	1.281"	B13	15	3/8	1779	13473	2350	0.49
1.316"	2.344"	.750"	1.344"	B14	15	3/8	1779	13473	2350	0.48
1.378"	2.469"	.750"	1.406"	B15	16	3/8	1912	14371	2300	0.53
1.441"	2.469"	.750"	1.469"	B16	16	3/8	1912	14371	2300	0.51
1.503"	2.594"	.750"	1.531"	B17	17	3/8	1958	15269	2275	0.56
1.566"	2.594"	.750"	1.594"	B18	17	3/8	1958	15269	2275	0.54
1.628"	2.969"	.875"	1.656"	B19	16	7/16	2527	19570	1950	0.90
1.691"	2.969"	.875"	1.719"	B20	16	7/16	2527	19570	1950	0.88
1.753"	3.094"	.875"	1.781"	B21	17	7/16	2580	20793	1900	0.97
1.816"	3.09"	.875"	1.844"	B22	17	7/16	2580	20793	1900	0.93
1.878"	3.219"	.875"	1.906"	B23	18	7/16	2646	22016	1850	1.01
1.941"	3.219"	.875"	1.969"	B24	18	7/16	2646	22016	1850	0.96
2.003"	3.344"	.875"	2.031"	B25	19	7/16	2701	23239	1825	1.67

Thrust Ball Bearings

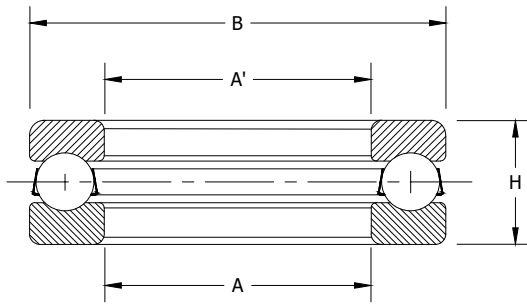
D Series Thrust Ball Bearings



- Banded assembly - non-separable
- Single direction - flat seat design
- Grooved races
- Oil hole in band
- Inch dimensions
- Rings and balls are constructed of thru-hardened 52100 steel
- Band is constructed of high quality low carbon steel

Dimensions				Balls No.	Bearing Designation	Dynamic C (Lbs)	Static Load Co (Lbs)	Limiting Speed Grease (RPM)	Limiting Speed Oil (RPM)	Weight (Lbs)
A (in)	B	H	A1							
0.5"	1.219"	0.563"	0.531"	10	D1	3850	5600	4200	6500	0.12
0.5625"	1.219"	0.563"	0.594"	10	D2	3850	5600	4200	6500	0.11
0.625"	1.344"	0.563"	0.656"	12	D3	4100	6700	3800	5850	0.14
0.6875"	1.344"	0.563"	0.719"	12	D4	4100	6700	3800	5850	0.18
0.75"	1.469"	0.563"	0.781"	13	D5	4250	7300	3400	5250	0.15
0.8125"	1.469"	0.563"	0.844"	13	D6	4250	7300	3400	5250	0.14
0.875"	1.844"	0.625"	0.906"	14	D7	6600	12200	2600	4000	0.28
0.9375"	1.844"	0.625"	0.969"	14	D8	6600	12200	2600	4000	0.27
1"	1.969"	0.625"	1.031"	15	D9	6700	13100	2400	3700	0.30
1.0625"	1.969"	0.625"	1.094"	15	D10	6700	13100	2400	3700	0.29
1.125"	2.094"	0.625"	1.156"	16	D11	6900	14000	2200	3500	0.33
1.1875"	2.094"	0.625"	1.219"	16	D12	6900	14000	2200	3500	0.31
1.25"	2.344"	0.625"	1.281"	18	D13	7200	15700	2000	3000	0.41
1.3125"	2.344"	0.625"	1.344"	18	D14	7200	15700	2000	3000	0.40
1.375"	2.469"	0.625"	1.406"	19	D15	7300	16600	1800	2750	0.45
1.4375"	2.469"	0.625"	1.469"	19	D16	7300	16600	1800	2750	0.42
1.5"	2.594"	0.625"	1.531"	21	D17	7700	18300	1600	2400	0.46
1.5625"	2.594"	0.625"	1.594"	21	D18	7700	18300	1600	2400	0.44
1.625"	2.969"	0.813"	1.656"	20	D19	10300	25000	1300	2000	0.85
1.6875"	2.969"	0.813"	1.719"	20	D20	10300	25000	1300	2000	0.84
1.75"	3.094"	0.813"	1.781"	21	D21	10600	26500	1300	1950	0.89
1.8125"	3.094"	0.813"	1.844"	21	D22	10600	26500	1300	1950	0.86
1.875"	3.219"	0.813"	1.906"	22	D23	10800	27500	1250	1925	0.93
1.9375"	3.219"	0.813"	1.969"	22	D24	10800	27500	1250	1925	0.91
2"	3.344"	0.813"	2.031"	23	D25	10800	29000	1200	1875	0.98
2.0625"	3.344"	0.813"	2.094"	23	D26	10800	29000	1200	1875	0.95
2.125"	3.594"	0.813"	2.156"	24	D27	11100	30000	1170	1800	1.16
2.1875"	3.594"	0.813"	2.219"	24	D28	11100	30000	1170	1800	1.10
2.25"	3.719"	0.813"	2.281"	25	D29	11200	31500	11580	1775	1.19
2.3125"	3.719"	0.813"	2.344"	25	D30	11200	31500	1150	1775	1.14
2.375"	3.844"	0.813"	2.406"	26	D31	11500	32500	1144	1760	1.25
2.4375"	3.844"	0.813"	2.469"	26	D32	11500	32500	1144	1760	1.20
2.5"	3.969"	0.813"	2.531"	27	D33	11500	34000	1130	1750	1.28
2.5625"	3.969"	0.813"	2.594"	27	D34	11500	34000	1130	1750	1.23
2.625"	4.344"	1"	2.656"	22	D35	18100	49000	975	1500	1.93
2.6875"	4.344"	1"	2.719"	22	D36	18100	49000	975	1500	1.95
2.75"	4.469"	1"	2.781"	23	D37	18200	51000	950	1475	2.10
2.8125"	4.469"	1"	2.844"	23	D38	18200	51000	1125	1745	2.03
2.9375"	4.594"	1"	2.969"	23	D39	18200	51000	950	1460	2.13
3"	4.594"	1"	3.063"	23	D39 1/2	18200	51000	950	1460	2.10
3"	4.719"	1"	3.031"	23	D40	18700	54000	930	1430	2.25
3.25"	4.696"	1"	3.281"	25	D41	18800	56000	920	1420	2.43
3.5"	5.219"	1"	3.531"	27	D42	19200	60000	910	1400	2.53

GT Series Thrust Ball Bearings

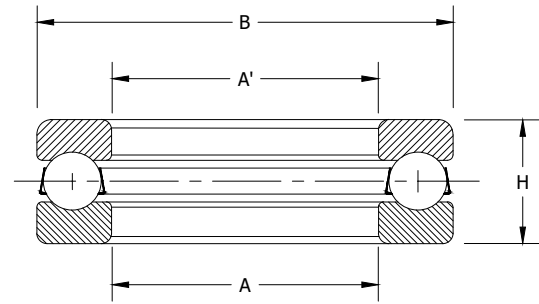


- Inch dimensions
- Grooved races
- Single acting
- Flat seat
- Rings and balls are constructed of thru-hardened 52100 steel
- Retainer is pressed steel
- Speed limit shown is for oil lubrication

Dimensions				Bearing Designation	Balls		Dynamic C (Lbs)	Static Load Co (Lbs)	Limiting Speed (RPM)	Weight (Lbs)
A (in)	B	H	A1		No.	Size				
0.628"	1.344"	0.563"	0.656"	GT3	12	3/16	556	2700	6800	0.14
0.391"	1.344"	0.563"	0.719"	GT4	12	3/16	556	2700	6800	0.14
0.753"	1.469"	0.563"	0.781"	GT5	14	3/16	600	3150	6400	0.16
0.816"	1.469"	0.563"	0.844"	GT6	14	3/16	600	3150	6400	0.15
0.878"	1.844"	0.625"	0.906"	GT7	12	1/4	940	4792	5400	0.27
0.941"	1.844"	0.625"	0.969"	GT8	12	1/4	940	4792	5400	0.27
1.003"	1.969"	0.625"	1.031"	GT9	12	1/4	914	4792	5200	0.30
1.006"	1.969"	0.625"	1.094"	GT10	12	1/4	914	4792	5200	0.29
1.128"	2.094"	0.625"	1.156"	GT11	14	1/4	991	5591	5000	0.29
1.191"	2.094"	0.625"	1.219"	GT12	14	1/4	991	5591	5000	0.31
1.253"	2.344"	0.625"	1.281"	GT13	17	1/4	1085	6789	4800	0.40
1.378"	2.469"	0.625"	1.406"	GT15	17	1/4	1085	6789	4750	0.43
1.503"	2.594"	0.625"	1.531"	GT17	18	1/4	1087	7188	4550	0.46
1.566"	2.594"	0.625"	1.594"	GT18	18	1/4	1087	7188	4550	0.45
1.628"	2.969"	0.813"	1.656"	GT19	16	5/16	1543	9985	3650	0.83
1.878"	3.219"	0.813"	1.906"	GT23	20	5/16	1737	12481	3550	0.95
1.941"	3.219"	0.813"	1.969"	GT24	20	5/16	1737	12481	3550	0.91
2.066"	3.344"	0.813"	2.094"	GT26	18	3/8	2349	16168	3500	0.97
2.128"	3.594"	0.813"	2.156"	GT27	18	3/8	2295	16168	3350	1.08
2.191"	3.594"	0.813"	2.219"	GT28	18	3/8	2295	16168	3350	1.06
2.253"	3.719"	0.813"	2.281"	GT29	18	3/8	2295	16168	3300	1.16
2.441"	3.844"	0.813"	2.469"	GT32	18	3/8	2295	16168	3250	1.13
2.503"	3.969"	0.813"	2.531"	GT33	22	3/8	2295	16168	3200	1.20
2.566"	3.969"	0.813"	2.594"	GT34	22	3/8	2601	19760	3200	1.38
2.753"	4.469"	1.000"	2.781"	GT37	20	1/2	4302	31950	2700	1.88
3.003"	4.719"	1.000"	3.031"	GT41	20	1/2	3775	28755	2630	2.08

Thrust Ball Bearings

900 Series Thrust Ball Bearings

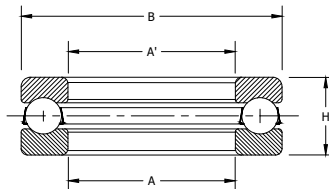


- Medium cross section
- Grooved races
- Single direction
- Separable axial contact
- Speed limit shown is for oil lubrication

Dimensions				Bearing Designation	Balls		Dynamic C (Lbs)	Static Load Co (Lbs)	Limiting Speed (RPM)	Weight (Lbs)
A (in)	B	H	A1		No.	Size				
0.394"	0.984"	0.472"	0.402	900	8	0.219	2950	2950	8800	0.08
0.591"	1.378"	0.551"	0.598	902	9	0.281	4850	5500	6800	0.15
0.787"	1.575"	0.551"	0.795	904	10	0.281	4900	6100	6400	0.20
0.984"	1.890"	0.61"	0.992	905	12	0.313	6450	9050	5500	0.31
1.181"	2.087"	0.61"	1.189	906	13	0.313	6600	9800	5300	0.31
1.378"	2.441"	0.709"	1.386	907	12	0.375	8850	13000	4500	0.47
1.575"	2.520"	0.709"	1.583	908	14	0.375	9550	15200	4500	0.46
1.772"	2.874"	0.866"	1.780	909	16	0.406	11900	20400	3650	0.78
1.969"	3.071"	0.866"	1.976	910	16	0.438	13600	23700	3575	0.82
2.165"	3.465"	0.965"	2.173	911	16	0.500	17400	30900	3200	1.30
2.362"	3.543"	0.965"	2.370	912	18	0.438	14000	26600	3150	1.20
2.559"	3.937"	1.063"	2.567	913	16	0.500	16700	30900	2800	1.60
2.756"	4.055"	1.063"	2.764	914	19	0.500	18400	36700	2750	1.60
2.953"	4.331"	1.063"	2.961	915	20	0.500	18600	38700	2725	1.90
3.15"	4.528"	1.142"	3.228	916	18	0.563	21900	44000	2550	2.10
3.347"	4.921"	1.201"	3.354	917	18	0.625	26800	54400	2375	2.60
3.543"	5.315"	1.201"	3.551	918	16	0.688	29600	58500	2275	3.10
3.74"	5.512"	1.280"	3.748	919	19	0.688	32700	69400	2150	3.50
3.937"	5.906"	1.280"	3.945	920	16	0.750	64500	69600	2100	4.60
4.134"	6.102"	1.575"	4.142	921	17	0.813	42000	86800	1850	5.30
4.331"	6.299"	1.575"	4.339	922	18	0.813	43100	91900	1800	6.20
4.528"	6.496"	1.693"	4.535	923	18	0.813	42600	91900	1725	7.00
4.724"	6.693"	1.693"	4.723	924	20	0.813	45200	102000	1700	7.40
4.921"	6.890"	1.831"	4.929	925	20	0.813	41800	91900	1600	8.30
5.118"	7.087"	1.831"	5.126	926	20	0.813	44400	102000	1585	8.40
5.512"	7.874"	2.047"	5.520	928	20	0.938	58300	136000	1340	11.3

2900 Series Thrust Ball Bearings

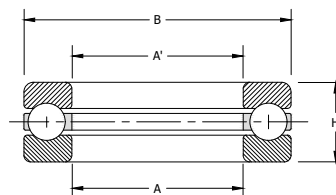
- Light cross section
- Grooved races



Dimensions				Bearing Designation	Dynamic C (Lbs)	Static Load Co (Lbs)	Limiting Speed Grease (RPM)	Limiting Speed Oil (RPM)	Weight (Lbs)
A (in)	B	H	A1						
10	26	12	10.211	2900	2900	2950	6600	8800	0.08
12	28	12	12.192	2901	2350	2700	6200	8300	0.09
15	31	12	15.189	2902	2600	3250	5900	7800	0.10
18	35	12	18.212	2903	3750	5200	5600	7400	0.12
20	37	12	20.193	2904	3350	4450	5300	7000	0.13
22	42	14	22.200	2904-1/2	5450	7350	4600	6200	0.21
25	45	14	25.197	2905	5600	7950	4400	5900	0.21
30	50	14	30.201	2906	5650	8550	4300	5700	0.27
35	55	16	35.204	2907	6800	10600	3800	5100	0.32
40	60	16	40.208	2908	6600	10600	3600	4800	0.33
45	68	16	45.212	2909	7250	12800	3400	4500	0.43
50	74	18	50.190	2910	9250	17400	3100	4100	0.59
55	78	18	55.194	2911	9400	18300	3000	4000	0.60
60	82	18	60.198	2912	9850	20100	2300	3050	0.63
65	90	20	65.202	2913	10800	21700	2600	3500	0.78
70	95	20	70.206	2914	11300	23900	2600	3400	0.88
75	100	20	75.209	2915	11400	25000	2500	3325	0.92
80	110	22	80.188	2916	14900	32600	2200	2975	1.30
85	115	22	85.192	2917	13300	30600	2200	2900	1.50
90	120	22	90.195	2918	13100	30600	2100	2850	1.60
95	130	25	95.199	2919	19500	44400	1900	2550	2.00
100	135	25	100.203	2920	19600	46400	1900	2500	2.30
105	140	25	105.207	2921	20500	50200	1900	2470	2.20
110	145	25	110.211	2922	21200	54100	1800	2420	2.30
115	150	25	115.189	2923	20000	50200	1800	2400	2.60
120	160	27	120.193	2924	22300	56700	1750	2230	2.40
125	165	27	125.197	2925	22100	56700	1700	2200	3.60
140	185	31	140.208	2928	30000	78500	1400	1930	5.40

3900 Series Thrust Ball Bearings

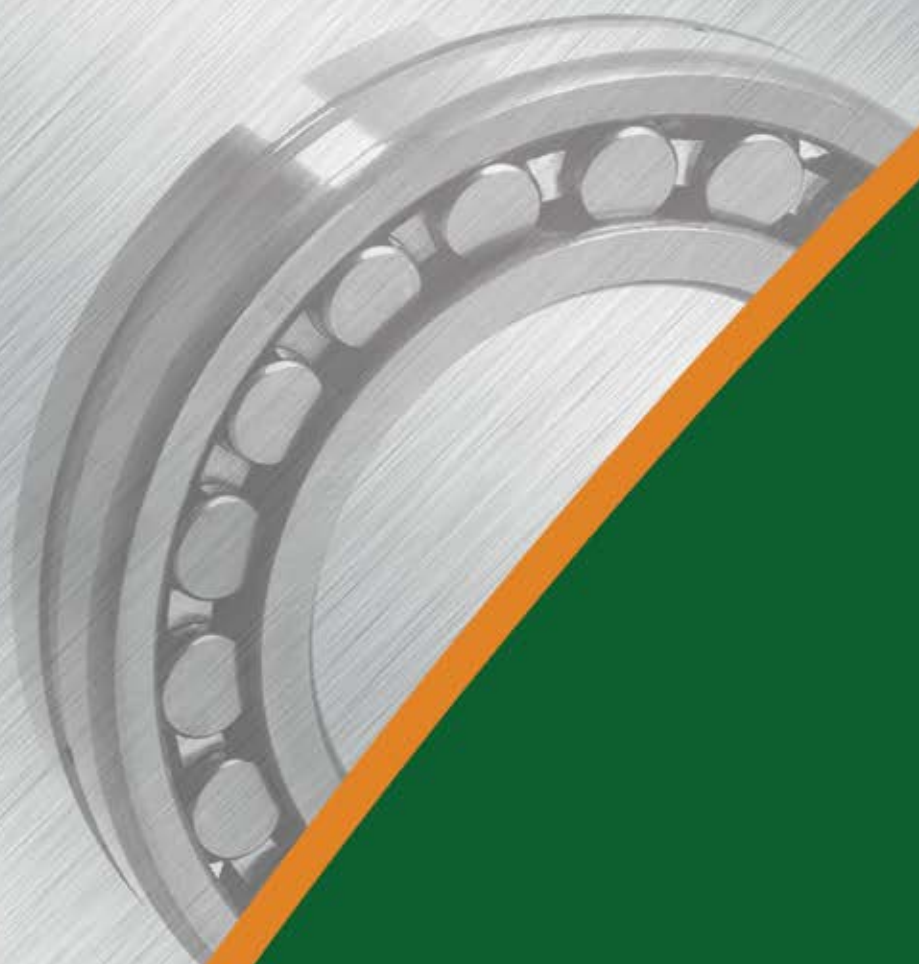
- Medium cross section
- Grooved races



Dimensions				Bearing Designation	Dynamic C (Lbs)	Static Load Co (Lbs)	Limiting Speed Grease (RPM)	Limiting Speed Oil (RPM)	Weight (Lbs)
A (in)	B	H	A1						
25	52	16	25.197	3905	6450	9050	4000	5300	0.33
30	60	19	30.201	3906	8900	13000	3400	4500	0.60
35	68	23	35.204	3907	12000	17800	2300	3050	0.88
40	76	25	40.208	3908	15300	23200	2500	3360	1.20
45	85	28	45.212	3909	18900	29300	2300	3050	1.70
50	92	31	50.190	3910	23000	36200	2100	2750	2.20
55	100	33	55.194	3911	24800	39900	1900	2550	2.50
60	106	35	60.198	3912	26800	43800	1800	2425	3.20
65	112	36	65.202	3913	31600	52200	1700	2300	3.50
70	120	38	70.206	3914	34200	60900	1600	2160	4.30
75	128	41	75.209	3915	39700	71400	1500	2000	4.90
80	136	44	80.188	3916	41100	71000	1400	1875	6.20
85	145	47	85.192	3917	51700	95100	1300	1750	7.60
90	155	50	90.195	3918	52400	92800	1200	1650	9.40
95	165	54	95.199	3919	57000	105000	1100	1525	11.5
100	172	57	100.203	3920	62000	117000	1100	1460	13.1
105	180	60	105.207	3921	73200	145000	1000	1440	15.1
110	190	63	110.211	3922	71700	145000	950	1400	17.8
115	200	66	115.189	3923	83500	175000	900	1250	20.3
120	210	69	120.193	3924	91300	205000	900	1200	23.5

TRITAN

PRECISION BEARINGS AND POWER TRANSMISSION COMPONENTS



Roller Bearings

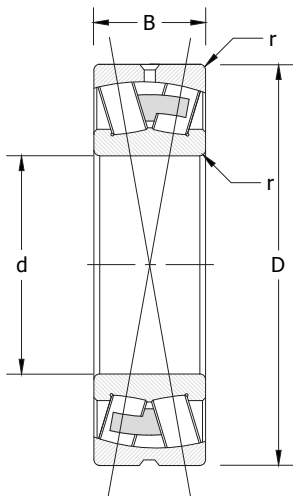


Spherical Roller bearings utilize 2 rows of rollers operating in a common sphered outer ring raceway. This design provides a self-aligning solution that is the combination of a radial & thrust bearing that operates even if the shaft and housing are, or become, misaligned under load.

This high capacity bearing performs consistently in adverse conditions such as shock loads, shaft deflections, marginal lubrication, extreme speeds, contamination, and critical application stresses.

TRITAN Spherical Roller Bearings are constructed with a brass one piece CAM cage. As compared to the older style MB cage, this design allows for a longer roller and higher overall load carrying capacity, providing better performance & greater life.

Certain special applications with higher degrees of axial load may perform better with the MB cage. MB and CC style (Steel) cages are available upon request & lead time. Minimums may apply.



TRITAN Spherical Roller Bearings are produced with a cylindrical bore, as well as a tapered bore in most sizes. Tapered bore bearings will carry the "K" suffix (CAKM), and can be mounted on a smooth or stepped shaft using an adapter or a withdrawal sleeve. This arrangement facilitates easy mounting & dismounting.

To facilitate efficient lubrication, the bearings are equipped with an annular groove and lubrication holes in the outer ring. This is represented by the W33 suffix.

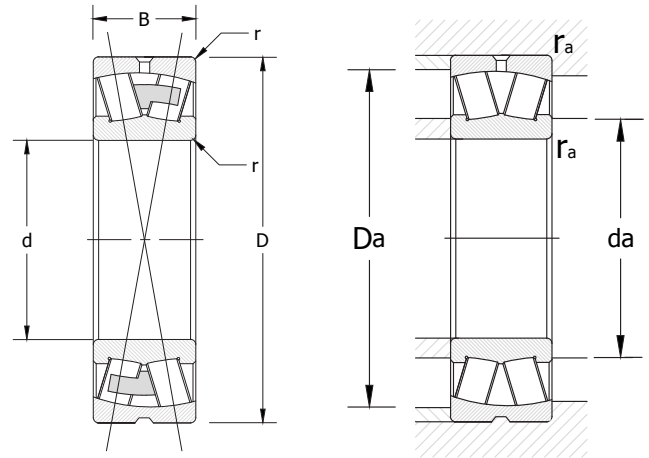
Due to superior design capabilities, Spherical Roller Bearings are used in a wide variety of applications including:

- wind power
- mining
- pulp & paper
- power generation
- shipping & cargo operations
- oil field
- aggregate
- gear drives
- rolling mills



Spherical Roller Bearings

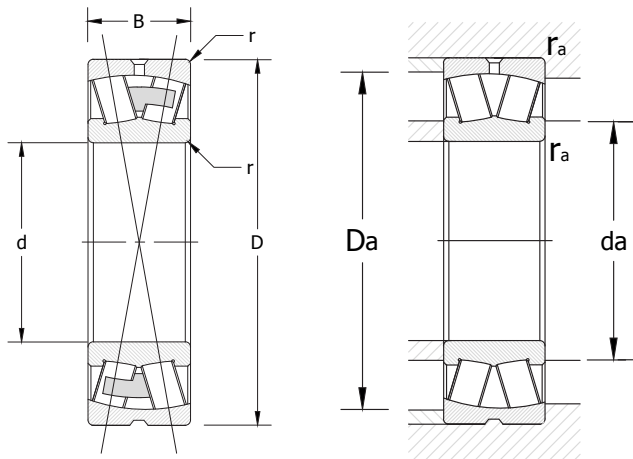
21300 Narrow Series



- 1 piece CAM brass cage
- W33 oil hole & groove in OD
- Available with a tapered bore for adapter style mounting - suffix "K"

Bearing Designation	Dimensions			rsmin (In)	Load Ratings (Lbs)		Limiting Speeds (r/min)		Mounting Dimensions (mm)			Weight (Lbs)
	d	D	B		Dynamic (Cr)	Static (Cor)	Grease	Oil	da min	Da max	ra max	
21304 CAM/C3W33	20	52	15	0.04	7126	7216	6000	7500	27	45	1.0	0.385
21305 CAM/C3W33	25	62	17	0.04	9599	10229	5300	6700	32	55	1.0	0.609
21306 CAM/C3W33	30	72	19	0.04	12926	14365	4500	6000	37	65	1.0	0.906
21307 CAM/C3W33	35	80	21	0.06	14702	16951	4000	5300	44	71	1.5	1.192
21308 CAM/C3W33	40	90	23	0.06	19963	22256	3600	4500	49	81	1.5	1.650
21309 CAM/C3W33	45	100	25	0.06	23762	26618	3200	4000	54	91	1.5	2.244
21310 CAM/C3W33	50	110	27	0.08	27786	32418	2800	3800	60	100	2.0	2.860
21311 CAM/C3W33	55	120	29	0.08	32889	39364	2600	3400	65	110	2.0	3.630
21312 CAM/C3W33	60	130	31	0.08	37520	39364	2400	3200	72	118	2.1	4.576
21313 CAM/C3W33	65	140	33	0.08	42151	52785	2200	3000	77	128	2.1	5.654
21314 CAM/C3W33	70	150	35	0.08	49098	62048	2000	2800	82	138	2.1	6.842
21315 CAM/C3W33	75	160	37	0.08	55100	69938	1900	2600	87	148	2.1	8.272
21316 CAM/C3W33	80	170	39	0.08	60204	80617	1800	2400	92	158	2.1	9.834
21317 CAM/C3W33	85	180	41	0.12	68994	89160	1700	2200	99	166	2.5	11.506
21318 CAM/C3W33	90	190	43	0.12	74097	97253	1600	2200	104	176	2.5	13.574
21319 CAM/C3W33	95	200	45	0.12	82213	112315	1700	2200	109	186	2.5	15.730
21320 CAM/C3W33	100	215	47	0.12	89159	122724	1600	2000	114	201	2.5	19.382
21321 CAM/C3W33	105	225	49	0.08	94420	129266	1500	1900	119	211	2.5	22.000
21322 CAM/C3W33	110	240	50	0.12	103412	142754	1400	1800	124	226	2.5	25.960

22200 Light Series

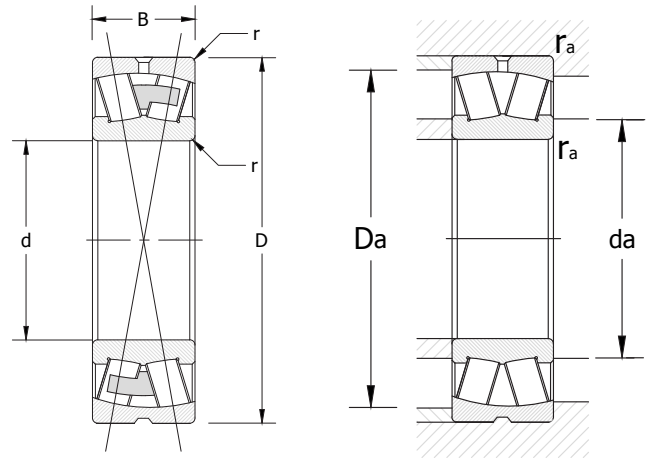


- 1 piece CAM brass cage
- W33 oil hole & groove in OD
- Available with a tapered bore for adapter style mounting - suffix "K"

Bearing Designation	Dimensions			rsmin (In)	Load Ratings (Lbs)		Limiting Speeds (r/min)		Mounting Dimensions (mm)			Weight (Lbs)
	d	D	B		Dynamic (Cr)	Static (Cor)	Grease	Oil	da		ra	
									min	max		
22205 CAM/C3W33	25	52	18	0.04	8992	9442	8000	10000	30	46	1.0	0.389
22206 CAM/C3W33	30	62	20	0.04	12004	13151	6300	8000	36	56	1.0	0.660
22207 CAM/C3W33	35	72	23	0.04	15399	17715	5300	6700	42	65	1.0	0.990
22208 CAM/C3W33	40	80	23	0.04	18187	21020	5000	6000	47	73	1.0	1.188
22209 CAM/C3W33	45	85	23	0.04	18996	22571	4500	5600	52	78	1.0	1.276
22210 CAM/C3W33	50	90	23	0.04	19558	24302	4000	5000	57	83	1.0	1.364
22211 CAM/C3W33	55	100	25	0.06	23627	28956	3600	4500	64	91	1.5	1.848
22212 CAM/C3W33	60	110	28	0.06	28258	35902	3200	4000	69	101	1.5	2.640
22213 CAM/C3W33	65	120	31	0.06	34733	45142	2800	3600	74	111	1.5	3.520
22214 CAM/C3W33	70	125	31	0.06	36576	47480	2600	3400	79	116	1.5	3.740
22215 CAM/C3W33	75	130	31	0.06	37520	49795	2400	3200	84	121	1.5	3.960
22216 CAM/C3W33	80	140	33	0.08	40533	55101	2200	3000	90	130	2.0	4.840
22217 CAM/C3W33	85	150	36	0.08	48626	64363	2000	2800	95	140	2.0	5.940
22218 CAM/C3W33	90	160	40	0.08	55573	74569	1900	2600	100	150	2.0	7.216
22219 CAM/C3W33	95	170	43	0.08	64363	87991	1900	2600	107	158	2.1	9.020
22220 CAM/C3W33	100	180	46	0.08	71781	98422	1800	2400	112	168	2.1	11.000
22222 CAM/C3W33	110	200	53	0.08	93745	133088	1700	2200	122	188	2.1	15.840
22224 CAM/C3W33	120	215	58	0.08	108808	156917	1600	2000	132	203	2.1	19.800
22226 CAM/C3W33	130	230	64	0.12	127467	187492	1400	1800	144	216	2.5	24.640
22228 CAM/C3W33	140	250	68	0.12	145452	215368	1300	1700	154	236	2.5	31.900
22230 CAM/C3W33	150	270	73	0.12	170855	254035	1200	1600	164	256	2.5	40.920
22232 CAM/C3W33	160	290	80	0.12	191088	287757	1000	1400	174	276	2.5	50.820
22234 CAM/C3W33	170	310	86	0.16	219189	337215	950	1200	188	292	3.0	63.800
22236 CAM/C3W33	180	320	86	0.16	227058	357448	900	1100	198	302	3.0	66.000

Spherical Roller Bearings

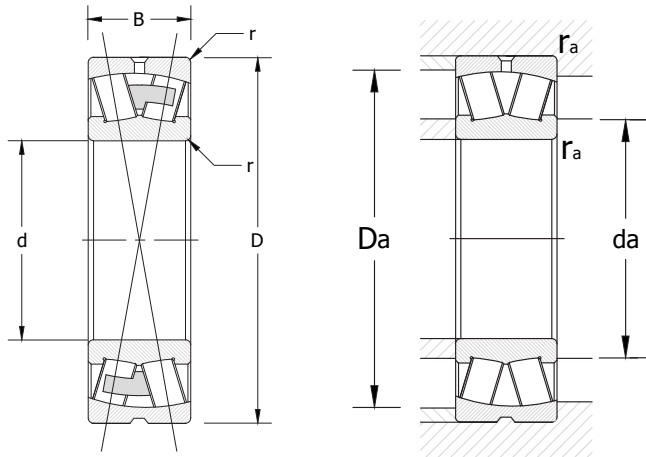
22300 Medium Series



- 1 piece CAM brass cage
- W33 oil hole & groove in OD
- Available with a tapered bore for adapter style mounting - suffix "K"

Bearing Designation	Dimensions			rsmin (In)	Load Ratings (Lbs)		Limiting Speeds (r/min)		Mounting Dimensions (mm)			Weight (Lbs)
	d	D	B		Dynamic (Cr)	Static (Cor)	Grease	Oil	da min	Da max	ra max	
22308 CAM/C3W33	40	90	33	0.06	27786	31946	4300	5300	49	81	1.5	2.200
22309 CAM/C3W33	45	100	36	0.06	32889	39364	3800	4800	54	91	1.5	3.036
22310 CAM/C3W33	50	110	40	0.08	40533	48626	3400	4300	60	100	2.0	4.070
22311 CAM/C3W33	55	120	43	0.08	48154	57889	3000	3800	65	110	2.0	5.170
22312 CAM/C3W33	60	130	46	0.08	55100	66004	2800	3600	72	118	2.1	6.490
22313 CAM/C3W33	65	140	48	0.08	60204	72928	2400	3200	77	128	2.1	7.810
22314 CAM/C3W33	70	150	51	0.08	67622	83832	2200	3000	82	138	2.1	9.680
22315 CAM/C3W33	75	160	55	0.08	79200	101412	2000	2800	87	148	2.1	11.550
22316 CAM/C3W33	80	170	58	0.08	89159	115305	1900	2600	92	158	2.1	14.058
22317 CAM/C3W33	85	180	60	0.12	97252	125039	1800	2400	99	166	2.5	15.950
22318 CAM/C3W33	90	190	64	0.12	109999	144036	1800	2400	104	176	2.5	18.920
22319 CAM/C3W33	95	200	67	0.12	120408	159300	1700	2200	109	186	2.5	22.220
22320 CAM/C3W33	100	215	73	0.12	140776	188728	1400	1800	114	201	2.5	29.480
22322 CAM/C3W33	110	240	80	0.12	160963	216492	1500	1900	124	226	2.5	39.600
22324 CAM/C3W33	120	260	86	0.12	190414	259431	1300	1700	134	246	2.5	48.400
22326 CAM/C3W33	130	280	93	0.16	218065	301245	1200	1600	148	262	3.0	62.700
22328 CAM/C3W33	140	300	102	0.16	256283	364192	1100	1500	158	282	3.0	75.900
22330 CAM/C3W33	150	320	108	0.16	285508	415899	1100	1400	168	302	3.0	93.500

23000/23100 Light Series

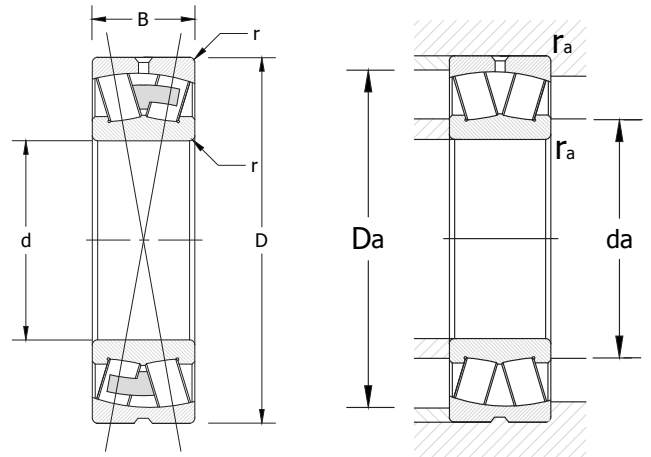


- 1 piece CAM brass cage
- W33 oil hole & groove in OD
- Available with a tapered bore for adapter style mounting - suffix "K"

Bearing Designation	Dimensions			rsmin (In)	Load Ratings (Lbs)		Limiting Speeds (r/min)		Mounting Dimensions (mm)			Weight (Lbs)
	d	D	B		Dynamic (Cr)	Static (Cor)	Grease	Oil	da	Da	ra	
Straight Bore									min	max	max	
23022 CAM/C3W33	110	170	45	0.08	62497	103637	1500	1900	120	160	2.00	8.580
23024 CAM/C3W33	120	180	46	0.08	68342	114653	1400	1800	130	170	2.00	9.460
23026 CAM/C3W33	130	200	52	0.08	86102	144778	1200	1600	140	190	2.00	13.640
23028 CAM/C3W33	140	210	53	0.08	93071	161638	1100	1500	150	200	2.00	14.740
23030 CAM/C3W33	150	225	56	0.08	101389	177600	1100	1400	162	213	2.10	17.908
23032 CAM/C3W33	160	240	60	0.08	115777	202329	1000	1300	172	228	2.10	22.000
23034 CAM/C3W33	170	260	67	0.08	140731	249989	900	1200	182	248	2.10	28.600
23036 CAM/C3W33	180	280	74	0.08	164111	290005	800	1000	192	268	2.10	38.720
23038 CAM/C3W33	190	290	75	0.08	172429	312486	800	1000	202	278	2.10	44.000
23040 CAM/C3W33	200	310	82	0.08	200080	370937	900	1100	212	298	2.10	52.800
23120 CAM/C3W33	100	165	52	0.08	74097	116946	1600	2000	110	155	2.00	11.000
23122 CAM/C3W33	110	180	56	0.08	86776	137809	1300	1700	120	170	2.00	13.750
23124 CAM/C3W33	120	200	62	0.08	104087	165460	1300	1700	130	190	2.00	16.786
23126 CAM/C3W33	130	210	64	0.08	110606	182546	1300	1700	140	200	2.00	18.678
23128 CAM/C3W33	140	225	68	0.08	126118	214244	1100	1500	152	213	2.10	23.980
23130 CAM/C3W33	150	250	80	0.08	167933	284834	1000	1300	162	238	2.10	35.420
23132 CAM/C3W33	160	270	86	0.08	195584	328223	900	1200	172	258	2.10	43.340
23134 CAM/C3W33	170	280	88	0.08	204801	351828	850	1100	182	268	2.10	46.420
23136 CAM/C3W33	180	300	96	0.12	238298	415899	800	1000	194	286	2.50	59.620
23138 CAM/C3W33	190	320	104	0.12	269772	476597	750	1000	204	306	2.50	77.660

Spherical Roller Bearings

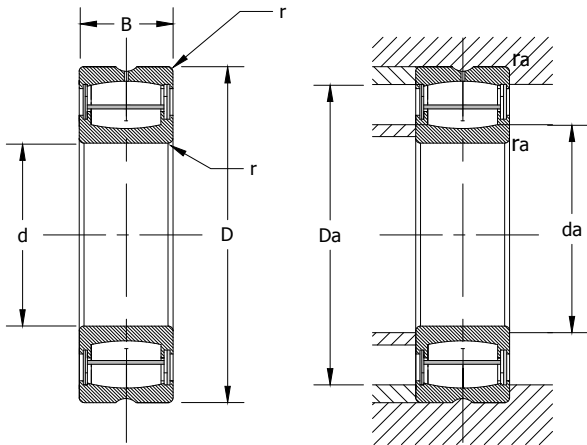
23200 Heavy Series



- 1 piece CAM brass cage
- W33 oil hole & groove in OD
- Available with a tapered bore for adapter style mounting - suffix "K"

Bearing Designation	Dimensions			rsmin (In)	Load Ratings (Lbs)		Limiting Speeds (r/min)		Mounting Dimensions (mm)			Weight (Lbs)
	d	D	B		Dynamic (Cr)	Static (Cor)	Grease	Oil	da min	Da max	ra max	
23218 CAM/C3W33	90	160	52.4	0.08	75243	110607	1700	2200	100	150	2.0	10.120
23220 CAM/C3W33	100	180	60.3	0.08	96106	143092	1600	2000	112	168	2.1	14.740
23222 CAM/C3W33	110	200	69.8	0.08	119149	181871	1400	1800	122	188	2.1	21.340
23224 CAM/C3W33	120	215	76	0.08	139382	217616	1300	1700	132	203	2.1	26.400
23226 CAM/C3W33	130	230	80	0.12	159165	245493	1200	1600	144	216	2.5	30.800
23228 CAM/C3W33	140	250	88	0.12	185693	296749	1000	1400	154	236	2.5	40.700
23230 CAM/C3W33	150	270	96	0.12	216492	350704	950	1300	164	256	2.5	52.800
23232 CAM/C3W33	160	290	104	0.12	249988	406906	900	1200	174	276	2.5	66.000
23234 CAM/C3W33	170	310	110	0.16	269772	456364	800	1100	188	292	3.0	78.540
23236 CAM/C3W33	180	320	112	0.16	287756	487838	1000	1200	198	302	3.0	83.380
23238 CAM/C3W33	190	340	120	0.16	325974	559777	700	1000	208	322	3.0	101.420

SB 22200 Series



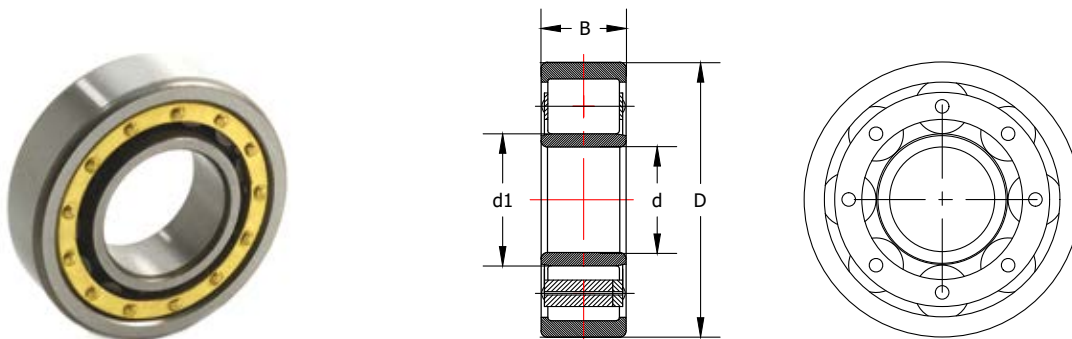
- Single row design offering increased load capacity
- Sealed to keep contamination out and lubricant in
- Dimensionally interchangeable with double row unsealed designs
- W33 oil hole & groove in OD

Bearing Designation	Dimensions			rsmin (In)	Load Ratings (KN)		Limiting Speeds (r/min)	Mounting Dimensions (mm)			Weight (Lbs)
	d	D	B		Dynamic (Cr)	Static (Cor)		Grease	da min	Da max	
SB22205/C3W33SS	25	52	18	0.039	10340	9820	8850	31	46	1.0	0.400
SB22206/C3W33SS	30	62	20	0.039	1155	10970	7695	36	56	1.0	0.640
SB22207/C3W33SS	35	72	23	0.059	15197	14450	6460	41	62	1.5	0.950
SB22208/C3W33SS	40	80	23	0.059	16883	16000	5700	48	70	1.5	1.200
SB22210/C3W33SS	50	90	23	0.059	18339	18450	4988	57	79	2.0	1.400
SB22211/C3W33SS	55	100	25	0.059	23380	22691	4418	63	89	2.0	1.900
SB22212/C3W33SS	60	110	28	0.059	27876	28999	3990	70	98	2.1	2.600
SB22213/C3W33SS	65	120	31	0.059	34790	36192	3610	75	106	2.1	3.400
SB22215/C3W33SS	75	130	31	0.059	36848	39000	3325	84	117	2.1	3.900
SB22216/C3W33SS	80	140	33	0.079	41552	75707	3088	90	125	2.1	4.600
SB22218/C3W33SS	90	160	40	0.079	58016	64000	2660	100	114	2.5	7.500
SB22219/C3W33SS	95	170	43	0.079	69482	78100	2518	106	154	2.5	9.200
SB22220/C3W33SS	100	180	46	0.079	76146	77660	2375	113	162	2.5	11.100
SB22222/C3W33SS	110	200	53	0.079	98000	99960	7090	124	181	2.5	15.900
SB22224/C3W33SS	120	215	58	0.079	17600	119000	1948	134	203	2.5	19.800

Tapered Bore configurations (K suffix), special trash-guard, and high temperature seal configurations are also available subject to production lead times and minimum quantities

Cylindrical Roller Bearings

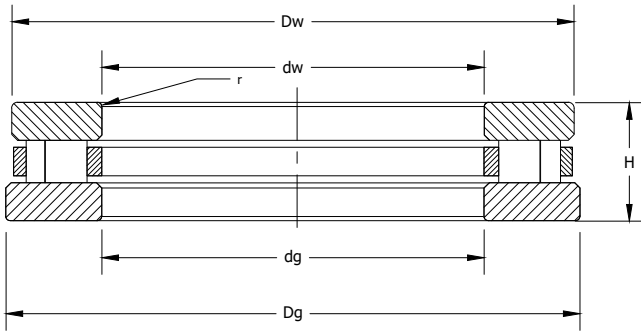
Single Row



Single Row Cylindrical Roller bearings in the NU configuration are designed to allow heavy radial loads at high speeds. They consist of cylindrical shaped rollers that are guided between integral open flanges on the outer ring, and retained by a brass cage. This design allows the inner ring to move relative to the outer ring, allowing for axial displacement which is critical to performance in many heavy duty applications.

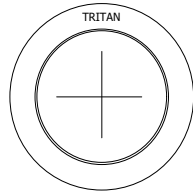
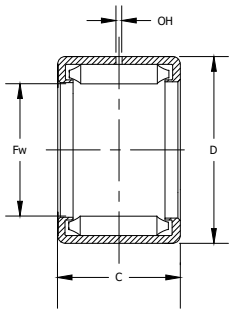
Bearing Designation	Ref #	Dimensions			Load Ratings (Lbs)		Limiting Speeds (r/min)		Weight (Lbs)
		d	D	B	Dynamic (C)	Static (Co)	Oil	Grease	
A5205TS	NU5205M/C3	25	52	0.8125	6300	6100	9800	7800	0.49
A5206TS	NU5206M/C3	30	62	0.9375	9900	8100	8200	6600	0.79
A5207TS	NU5207M/C3	35	72	1.0625	12600	10800	7000	5600	1.19
A5208TS	NU5208M/C3	40	80	1.1875	13900	11900	6300	5000	1.71
A5209TS	NU5209M/C3	45	85	1.1875	15500	14400	5700	4600	1.85
A5210TS	NU5210M/C3	50	90	1.1875	16400	15500	5300	4200	2.00
A5211TS	NU5211M/C3	55	100	1.3125	21600	21400	4800	3800	2.72
A5212TS	NU5212M/C3	60	110	1.4375	24300	22900	4300	3400	3.65
A5213TS	NU5213M/C3	65	120	1.5000	27400	26500	4000	3200	4.54
A5214TS	NU5214M/C3	70	125	1.5625	30800	30800	3800	3000	4.98
A5215TS	NU5215M/C3	75	130	1.6250	33700	35100	3600	2900	5.49
A5216TS	NU5216M/C3	80	140	1.7500	36000	37300	3300	2600	6.50
A5217TS	NU5217M/C3	85	150	1.9375	42700	45000	3100	2500	8.25
A5218TS	NU5218M/C3	90	160	2.0625	56950	76500	2900	2300	11.00
A5219TS	NU5219M/C3	95	170	2.1875	65025	86700	2800	2200	12.50
A5220TS	NU5220M/C3	100	180	2.3750	68000	100300	2600	2100	16.00
A5221TS	NU5221M/C3	105	190	2.5625	80750	107950	2500	2000	19.50
A5222TS	NU5222M/C3	110	200	2.7500	95200	141100	2400	1900	21.80
A5224TS	NU5224M/C3	120	215	3.0000	113900	170000	2200	1800	28.44
A5226TS	NU5226M/C3	130	230	3.1250	124100	193800	2000	1600	33.69
A5228TS	NU5228M/C3	140	250	3.2500	147050	229500	1900	1500	42.18
A5230TS	NU5230M/C3	150	270	3.5000	176800	263500	1800	1400	52.55
A5232TS	NU5232M/C3	160	290	3.8750	193800	323000	1600	1300	67.69
A5234WB	NU5234M/C3	170	310	4.1250	212500	344250	1500	1200	82.60
A5236WB	NU5236M/C3	180	320	4.2500	229500	382500	1500	1200	88.79
A5238WB	NU5238M/C3	190	340	4.5000	255000	425000	1400	1100	103.69

Cylindrical Roller Thrust Bearings - T Series



The T Series bearing is the most popular cylindrical roller thrust bearing. It is single acting (one direction) and designed to operate under heavy loads at moderate speeds. One of the thrust plates is stationary with respect to the shaft while undersized on the outer diameter, while the second thrust plate is stationary with the housing, and oversized on the bore diameter. The roller assembly is located by the shaft and its inside diameter is machined to provide the correct operating clearance. The non-locating diameters of the thrust plates are designed to allow lubricant flow. Machined Brass retainers are standard.

Bearing Designation	Dimensions						Load Ratings Lbs		Limiting Speeds r/min		Weight (Lbs)
	Bore Diameter	Outside Diameter	Height	Fillet Radius	Larger Bore Diameter	Smaller Outside Diameter	Dynamic Load	Static Load	Limiting Speed Grease	Limiting Speed Oil	
	dw	Dg	H	B1	dg	Dw	C	Co			
T609	1.5	3	0.812	0.05	1.75	2.90	18000	53000	2300	4700	1.00
T730	3	6	1.375	0.06	3.25	5.88	82000	268000	1100	2400	7.30
T625	3.25	4.968	1.000	0.06	3.50	4.84	38000	135000	1300	2600	2.70
T734	4	7	1.750	0.06	4.25	6.88	111000	344000	950	1900	11.40
T735	4	8	1.750	0.06	4.25	7.88	132000	454000	900	1700	16.60
T736	4	9	1.750	0.06	4.25	8.88	158000	750000	800	1650	22.40
T739	5	9	1.750	0.06	5.25	8.88	160000	630000	700	1500	20.00
T740	5	10	2.000	0.10	5.25	9.88	173000	685000	700	1400	30.00
T743	6	9	2.000	0.10	6.38	8.75	138000	496000	700	1400	18.00
T749	7	12	2.000	0.10	7.38	11.75	204000	944000	500	1000	40.00
T750	7	14	3.000	0.25	7.38	13.75	400000	1500000	500	1000	85.00
T751	8	12	3.000	0.25	8.38	11.75	250000	900000	500	1000	44.00
T753	8	16	3.000	0.25	8.38	15.75	500000	2000000	450	900	114.00
T754	10	16	3.000	0.25	10.38	15.75	400000	1700000	450	900	88.00
T755	10	18	3.750	0.25	10.38	17.75	600000	2500000	350	700	168.00
T756	10	20	3.750	0.25	10.38	19.75	700000	3200000	350	700	225.00
T757	12	18	3.750	0.25	12.50	17.75	400000	2000000	350	700	130.00
T759	12	24	4.500	0.25	12.50	23.75	1000000	4000000	300	600	372.00



Drawn Cup Needle Bearings - B Series - Full Complement

Drawn Cup needle bearings are designed to support radial loads and reduce friction between rotating components with a drawn outer shell acting as a raceway for the rollers. The inward turned lips of the cup are used to mechanically retain a full complement of rollers. The low cross section of the drawn cup, provides the maximum load carrying within the smallest amount of space.

This full complement design (no cage) permits a high radial load carrying capacity. Bearings with the OH suffix include an oil hole in the outer diameter for relubrication. These bearings are easily installed with a press fit in the housing.

Shaft Diameter (in.)	Bore (Fw)	Outside Diameter D	Width C	Bearing Designation	Dynamic Load C	Static Load Co	Weight (lbs)
3/16	0.1875"	0.34375"	0.375"	B36	850	950	0.0100
	0.3125"	0.5"	0.312"	B55 OH	920	1030	0.0200
5/16	0.3125"	0.5"	0.375"	B56 OH	1180	1420	0.0100
	0.3125"	0.5"	0.438"	B57 OH	1420	1820	0.0100
3/8	0.375"	0.5625"	0.375"	B66 OH	1310	1710	0.0129
	0.375"	0.5625"	0.625"	B610 OH	2340	3590	0.0200
	0.375"	0.625"	0.5"	BH68 OH	2100	2460	0.0200
1/2	0.5"	0.6875"	0.3125"	B85 OH	1200	1660	0.0088
	0.5"	0.6875"	0.375"	B86 OH	1540	2280	0.0100
	0.5"	0.6875"	0.5"	B88 OH	2160	3530	0.0200
	0.5"	0.6875"	0.6785"	B810 OH	2750	4800	0.0240
	0.5"	0.6875"	0.75"	B812 OH	3300	6060	0.0400
	0.5"	0.75"	0.75"	BH812 OH	3910	5790	0.0400
9/16	0.5625"	0.75"	0.5"	B98 OH	2320	3990	0.0200
	0.625"	0.8125"	0.312"	B105 OH	1360	2080	0.0100
5/8	0.625"	0.8125"	0.438"	B107 OH	2110	3650	0.0200
	0.625"	0.8125"	0.5"	B108 OH	2450	4430	0.0200
	0.625"	0.8125"	0.625"	B1010 OH	3110	6000	0.0300
	0.625"	0.8125"	0.75"	B1012 OH	3720	7580	0.0300
11/16	0.6875"	0.9375"	0.625"	BH1110 OH	3890	6250	0.0400
	0.75"	1"	0.5"	B128 OH	3170	4940	0.0458
3/4	0.75"	1"	0.625"	B1210 OH	4080	6820	0.0400
	0.75"	1"	0.75"	B1212 OH	4930	8710	0.0500
	0.75"	1"	0.75"	B1212 OH	4930	8710	0.0500
13/16	0.8125"	1.0625"	0.5"	B138 OH	3320	5350	0.0400
	0.875"	1.0625"	0.5"	B148 OH	3450	5760	0.0400
7/8	0.875"	1.125"	0.75"	B1412 OH	5370	10200	0.0750
	0.875"	1.0625"	1"	B1416 OH	7100	14600	0.0800
	0.9375"	1.1875"	1"	B1516 OH	7370	15600	0.0900
	1"	1.25"	0.375"	B166 OH	2550	4070	0.0410
1	1"	1.25"	0.5"	B168 OH	3710	6590	0.0440
	1"	1.25"	0.75"	B1612 OH	5770	11600	0.0800
	1"	1.25"	1"	B1616 OH	7630	16700	0.1000
	1"	1.3125"	1"	BH1616 OH	8200	15800	0.1200
	1"	1.3125"	1.25"	BH1620 OH	10200	20900	0.1800
	1.125"	1.375"	0.5"	B188 OH	3950	7420	0.0500
1 1/8	1.125"	1.375"	0.75"	B1812 OH	6140	13100	0.0800
	1.125"	1.375"	1"	B1816 OH	8130	18800	0.1100
	1.25"	1.5"	0.75"	B2012 OH	6490	14500	0.0900
1 1/4	1.25"	1.5"	1"	B2016 OH	8590	20800	0.1100
	1.25"	1.5"	1.25"	B2020 OH	10600	27200	0.1400
	1.25"	1.5"	1.75"	B2028 OH	12000	32000	0.2000
	1.375"	1.625"	1.25"	B2220 OH	11100	29900	0.2000
1 3/8	1.375"	1.75"	0.75"	BH2212 OH	7930	14500	0.1500
	1.5"	1.875"	0.5"	B248 OH	5020	8340	0.1100
1 1/2	1.5"	1.875"	0.875"	B2414 OH	9780	19700	0.1800
	1.5"	1.875"	1"	B2416 OH	11200	23300	0.2300
	1.5"	1.875"	1.25"	B2420 OH	13900	31000	0.2800
	1.75"	2.125"	0.75"	B2812 OH	8830	18300	0.1800
1 3/4	1.75"	2.125"	1"	B2816 OH	12000	27100	0.2400
	1.75"	2.125"	1.5"	B2824 OH	17700	44800	0.3750
	2.25"	2.625"	0.75"	B3612 OH	10300	23700	0.2300
2 1/4	2.25"	2.625"	1.5"	B3624 OH	20700	57700	0.4600
	2.75"	3.125"	1"	B4416 OH	15500	42800	0.3700
2 3/4	2.75"	3.125"	1.25"	B4420 OH	19200	56700	0.5000

Drawn Cup Needle Bearing - J Series - Caged

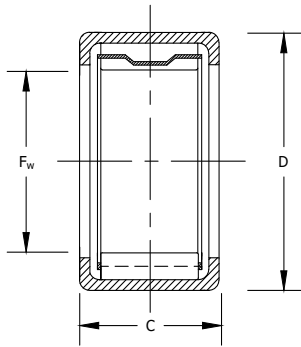
This caged design of Drawn Cup Needle bearing allows for high speed operation and maximum lubricant retention capability. Bearings with the OH suffix include an oil hole in the outer diameter for re-lubrication. Bearings with a T or TT in the prefix (example JTT1012) are constructed with 1 or 2 seals to retain lubricant & prevent contaminants from reaching the raceways. These bearings are easily installed with a press fit in the housing.



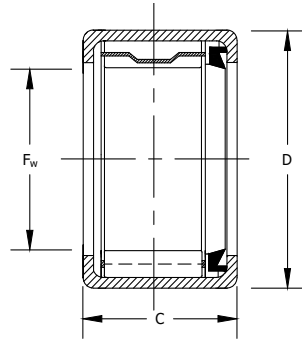
Shaft Diameter (in.)	Bore (Fw)	Outside Diameter D	Width C	Bearing Designation	Dynamic Load C	Static Load Co	Limiting Speed Oil (RPM)	Limiting Speed Grease (RPM)	Weight (lbs)
3/16	0.1875"	0.34375"	0.375"	J36 OH	510	430	38000	25000	0.02
	0.3125"	0.5"	0.562"	JTT59	910	880	28000	18000	0.03
1/4	0.25"	0.4375"	0.312"	J45 OH	500	390	30000	20000	0.02
	0.25"	0.4375"	0.438"	J47 OH	760	680	30000	20000	0.02
5/16	0.3125"	0.5"	0.312"	J55 OH	540	450	28000	18000	0.02
	0.3125"	0.5"	0.738"	J57 OH	910	880	28000	18000	0.02
	0.3125"	0.5625"	0.438"	JH57 OH	1040	850	22000	14000	0.03
3/8	0.375"	0.5625"	0.312"	J65 OH	620	560	27000	18000	0.02
	0.375"	0.5625"	0.438"	J67 OH	700	600	27000	18000	0.03
	0.375"	0.5625"	0.5"	J68 OH	1170	1290	27000	18000	0.01
	0.375"	0.625"	0.5"	JH68 OH	1480	1370	20000	13000	0.03
	0.375"	0.5625"	0.438"	JTT67	615	560	28000	18000	0.02
7/16	0.4375"	0.625"	0.5"	J78 OH	1430	1730	26000	17000	0.03
1/2	0.5"	0.6875"	0.375"	J86 OH	1050	1210	25000	16000	0.02
	0.5"	0.6875"	0.5"	J88 OH	1420	1780	25000	16000	0.02
	0.5"	0.6875"	0.75"	J812 OH	2300	3310	25000	16000	0.04
	0.5"	0.75"	0.5"	JH88 OH	1700	1730	19000	12000	0.03
	0.5"	0.75"	0.75"	JH812 OH	2270	3240	19000	12000	0.02
	0.5"	0.6875"	0.625"	JTT810	1420	1780	24000	15000	0.09
	0.5"	0.6875"	0.875"	JTT814	2300	3310	24000	15000	0.04
9/16	0.5625"	0.75"	0.5"	J98 OH	1400	1800	25000	16000	0.03
	0.5625"	0.8125"	0.75"	J912 OH	1400	1800	25000	16000	0.08
	0.5625"	0.75"	0.5625"	JT99	1400	1800	22000	14000	0.03
5/8	0.625"	0.8125"	0.5"	J108 OH	1510	2050	21000	13000	0.04
	0.625"	0.8125"	0.625"	J1010 OH	1980	2910	21000	13000	0.05
	0.625"	0.8125"	0.75"	J1012 OH	2640	4240	21000	13000	0.04
	0.625"	0.875"	0.625"	JH1010 OH	2600	3170	21000	14000	0.03
	0.625"	0.875"	1"	JH1016 OH	4450	6320	21000	14000	0.06
	0.625"	0.8125"	0.75"	JTT1012	1980	2910	19000	12000	0.05
	0.75"	1"	0.563"	JT129	2230	2740	17000	10000	0.05
	0.75"	1"	0.625"	JTT1210	2230	2740	17000	10000	0.05
	0.75"	1"	0.75"	JTT1212	2800	3600	17000	10000	0.06

Chart continues on next page

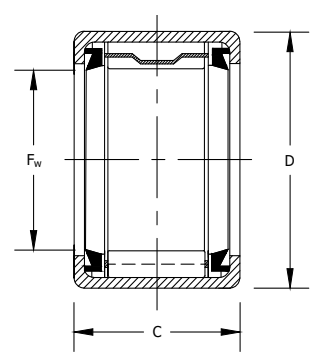
Drawn Cup Needle Bearing - J Series - Caged



J & JH



JT



JTT

Shaft Diameter (in.)	Bore (Fw)	Outside Diameter D	Width C	Bearing Designation	Dynamic Load C	Static Load Co	Limiting Speed Oil (RPM)	Limiting Speed Grease (RPM)	Weight (lbs)
11/16	0.6875"	0.875"	0.375"	J116 OH	1600	2100	18000	11000	0.06
	0.6875"	0.9375"	0.625"	JH1110 OH	2710	3420	19000	13000	0.05
3/4	0.75"	1"	0.5"	J128 OH	2230	2740	18000	11000	0.04
	0.75"	1"	0.625"	J1210 OH	2810	3670	18000	11000	0.05
	0.75"	1"	0.75"	J1212 OH	3490	4860	18000	11000	0.06
7/8	0.875"	1.0625"	0.5"	J148 OH	2460	3260	15000	9700	0.05
	0.875"	1.0625"	1"	J1416 OH	5320	8760	15000	9700	0.08
	0.875"	1.125"	0.75"	J1412 OH	4020	6110	15000	9700	0.06
	0.875"	1.1875"	1"	JH1416 OH	5710	8400	15000	9800	0.09
	0.875"	1.0625"	0.5"	JTT148	2400	3200	14000	8700	0.05
	0.875"	1.125"	0.562"	JT149	2460	3260	14000	8700	0.05
1	1"	1.25"	0.75"	J1612 OH	4080	6480	13000	8400	0.06
	1"	1.25"	1"	J1616 OH	5610	9760	13000	8400	0.08
	1"	1.3125"	0.75"	JH1612 OH	4650	6650	13000	8500	0.09
	1"	1.3125"	0.75"	JH1616 OH	6200	9640	13000	8500	0.12
	1"	1.25"	0.875"	JTT1614	4080	6480	12000	7600	0.0900
	1"	1.25"	1"	JTT1616	4200	6600	12000	7600	0.1000
1 1/8	1.125"	1.375"	0.5"	J188 OH	2620	3810	11000	7400	0.06
	1.125"	1.375"	0.75"	J1812 OH	4280	7140	11000	7400	0.08
	1.125"	1.375"	1"	J1816 OH	5880	10800	11000	7400	0.1
1	1.25"	1.5"	0.75"	J2012 OH	4460	7800	10000	6600	0.09
	1.25"	1.5"	1"	J2016 OH	6480	12700	10000	6600	0.11
1 1/4	1.25"	1.625"	1"	JH2016 OH	7630	11900	10000	6800	0.16
	1.25"	1.625"	1.25"	JH2020 OH	9750	16300	10000	6800	0.2
	1.25"	2.125"	1"	J2816 OH	9010	16400	7300	4700	0.22
	1.375"	1.625"	0.5"	J228 OH	3140	5150	9200	6000	0.06
	1.375"	1.625"	1"	JH2216 OH	8210	13200	9400	6100	0.18
	1.5"	1.875"	1"	J2416 OH	8840	15000	8600	5600	0.19
	1.5"	1.875"	1.25"	J2420 OH	11100	20200	8600	5600	0.25
	1.625"	2"	1"	J2616 OH	8830	15500	7900	5100	0.21
	1.875"	2.25"	1"	J3016 OH	9240	17100	6800	4400	0.24
	2"	2.375"	1"	J3216 OH	9530	18300	6300	4100	0.25

Needle Roller Thrust Bearings - NTA Series

Needle Roller Thrust Bearings roller assemblies (NTA Series) utilize small diameter needle rollers configured in a spoke-like pattern, equally spaced by a cage that keeps the rollers separated and tracking in an orbital path. They are most commonly used sandwiched between thrust washers (TRA, TRB, TRC, TRD Series). These assemblies transmit a thrust load between two relatively rotating objects while greatly reducing friction.

The roller assemblies (NTA Series) are sold separately from the washers (TRA...etc). The washers are available in various thicknesses, starting with TRA as the thinnest, increasing in thickness with the TRB, TRC, and TRD options.

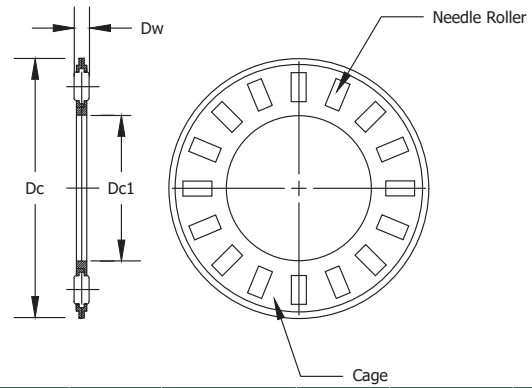


Thrust Washer

Shaft Diameter (in.)	Dimensions			Bearing Designation	Dynamic Load C	Static Load Co	Limiting Speeds Oil (RPM)	Weight (Lbs)	Washer Designation	Bore (Bw)	Outside Diameter (D)	Width (h)	Weight (Lbs)
	d	D	B										
1/4	0.25"	0.687"	0.0781"	NTA411	1100	2400	26000	0.003	TRA411	0.25"	0.688"	0.03"	0.003
									TRB411	0.25"	0.688"	0.06"	0.005
									TRC411	0.25"	0.688"	0.092"	0.008
5/16	0.312"	0.75"	0.0781"	NTA512	1300	2900	24000	0.004	TRA512	0.312"	0.75"	0.032"	0.003
									TRB512	0.312"	0.75"	0.063"	0.006
3/8	0.375"	0.812"	0.0781"	NTA613	1300	3200	22000	0.004	TRA613	0.375"	0.812"	0.032"	0.003
									TRB613	0.375"	0.812"	0.063"	0.006
									TRC613	0.375"	0.812"	0.095"	0.009
1/2	0.5"	0.937"	0.0781"	NTA815	1600	4300	18000	0.005	TRA815	0.5"	0.937"	0.03"	0.004
									TRB815	0.5"	0.937"	0.063"	0.008
									TRC815	0.5"	0.937"	0.095"	0.012
9/16	0.562"	1"	0.0781"	NTA916	1700	4800	17000	0.006	TRA916	0.562"	1"	0.032"	0.005
									TRB916	0.562"	1"	0.063"	0.008
5/8	0.625"	1.125"	0.0781"	NTA1018	2200	6800	14000	0.007	TRA1018	0.625"	1.125"	0.032"	0.006
									TRB1018	0.625"	1.125"	0.063"	0.012
									TRC1018	0.625"	1.125"	0.095"	0.018
3/4	0.75"	1.25"	0.0781"	NTA1220	2400	8200	13000	0.009	TRA1220	0.75"	1.25"	0.032"	0.007
									TRB1220	0.75"	1.25"	0.063"	0.013
									TRC1220	0.75"	1.25"	0.095"	0.021
									TRD1220	0.75"	1.25"	0.126"	0.026
7/8	0.875"	1.437"	0.0781"	NTA1423	3000	11000	12000	0.011	TRA1423	0.875"	1.437"	0.03"	0.009
									TRB1423	0.875"	1.437"	0.063"	0.017
									TRC1423	0.875"	1.437"	0.095"	0.026
									TRD1423	0.875"	1.4375"	0.126"	0.034
1	1"	1.5625"	0.0781"	NTA1625	3100	12000	11000	0.013	TRA1625	1"	1.562"	0.03"	0.010
									TRB1625	1"	1.562"	0.063"	0.019
									TRC1625	1"	1.562"	0.095"	0.028
									TRD1625	1"	1.562"	0.126"	0.038
1 1/8	1.125"	1.75"	0.0781"	NTA1828	3700	16000	9000	0.019	TRA1828	1.125"	1.75"	0.032"	0.006
1 1/4	1.25"	1.937"	0.0781"	NTA2031	4500	21000	8000	0.021	TRA2031	1.25"	1.937"	0.03"	0.015
									TRB2031	1.25"	1.937"	0.063"	0.030
									TRC2031	1.25"	1.937"	0.095"	0.044
									TRD2031	1.25"	1.937"	0.126"	0.058
1 3/8	1.375"	2.062"	0.0781"	NTA2233	4800	23000	7500	0.023	TRA2233	1.375"	2.062"	0.03"	0.016
									TRB2233	1.375"	2.062"	0.063"	0.033
									TRC2233	1.375"	2.062"	0.095"	0.040
									TRD2233	1.375"	2.062"	0.126"	0.065



Needle Roller Thrust Bearings - NTA Series



Shaft Diameter (in.)	Dimensions			Bearing Designation	Dynamic Load C	Static Load Co	Limiting Speeds Oil (RPM)	Weight (Lbs)	Washer Designation	Bore (Bw)	Outside Diameter (D)	Width (h)	Weight (Lbs)
	d	D	B										
1 1/2	1.5"	2.187"	0.0781"	NTA2435	5200	26000	7000	0.025	TRA2435	1.5"	2.187"	0.032"	0.017
									TRB2435	1.5"	2.187"	0.063"	0.034
									TRC2435	1.5"	2.187"	0.095"	0.050
									TRD2435	1.5"	2.187"	0.126"	0.067
									TRF2435	1.5"	2.187"	0.188"	0.100
1 3/4	1.75"	2.5"	0.0781"	NTA2840	5600	30000	6700	0.031	TRA2840	1.75"	2.5"	0.03"	0.021
									TRB2840	1.75"	2.5"	0.06"	0.044
									TRC2840	1.75"	2.5"	0.092"	0.063
									TRD2840	1.75"	2.5"	0.126"	0.089
2	2"	2.75"	0.0781"	NTA3244	5300	29000	6000	0.033	TRA3244	2"	2.75"	0.032"	0.024
									TRB3244	2"	2.75"	0.06"	0.048
									TRC3244	2"	2.75"	0.095"	0.072
									TRD3244	2"	2.75"	0.126"	0.096
2 1/8	2.125"	2.875"	0.0781"	NTA3446	5400	30000	5800	0.036	TRA3446	2.125"	2.875"	0.032"	0.026
									TRD3446	2.125"	2.875"	0.126"	0.047
2 1/4	2.25"	3"	0.0781"	NTA3648	5500	32000	5500	0.038	TRA3648	2.25"	3"	0.032"	0.026
									TRB3648	2.25"	3"	0.063"	0.048
									TRD3648	2.25"	3"	0.126"	0.105
2 1/2	2.5"	3.25"	0.0781"	NTA4052	5600	32000	5000	0.041	TRA4052	2.5"	3.25"	0.03"	0.029
									TRB4052	2.5"	3.25"	0.06"	0.059
									TRC4052	2.5"	3.25"	0.095"	0.090
									TRD4052	2.5"	3.25"	0.126"	0.119
2 3/4	2.75"	3.625"	0.125"	NTA4458	10000	57000	4500	0.082	TRA4458	2.75"	3.625"	0.03"	0.039
									TRB4458	2.75"	3.625"	0.06"	0.077
									TRD4458	2.75"	3.625"	0.123"	0.113
3	3"	3.75"	0.0781"	NTA4860	6000	38000	4000	0.048	TRA4860	3"	3.75"	0.032"	0.034
									TRB4860	3"	3.75"	0.063"	0.070
									TRD4860	3"	3.75"	0.126"	0.135
3 1/4	3.25"	4.125"	0.125"	NTA5266	11000	66000	4000	0.082	TRA5266	3.25"	4.125"	0.032"	0.044
									TRD5266	3.25"	4.125"	0.126"	0.176
3 3/4	3.75"	4.625"	0.125"	NTA6074	12000	77000	3500	0.110	TRA6074	3.75"	4.625"	0.032"	0.050
									TRD6074	3.75"	4.625"	0.126"	0.202
4 1/8	4.125"	5.062"	0.125"	NTA6681	14000	93000	3000	0.136	TRA6681	4.125"	5.062"	0.032"	0.059

Needle Roller Bearings - MR Series

MR Series Needle Roller Bearings have a one piece channel-shaped outer ring providing maximum load capacity. Integral flanges provide axial location for the needle rollers while a steel cage provides inward retention. Available either open or with 2 contact lip seals, they are supplied with a lubrication groove and hole in the outer ring to facilitate lubrication.

They can be run on a shaft or used with MI Series Inner Ring.



Shaft Diameter (in.)	Bore (Fw)	Outside Diameter (D)	Width (C)	Bearing Designation	Dynamic Load C	Static Load Co	Limiting Speed Oil (RPM)	Limiting Speed Grease (RPM)	Weight (Lbs)	Used with Inner Ring
5/8	0.625"	1.125"	0.75"	MR10	4350	4650	30000	20000	0.150	MI6
	0.625"	1.125"	0.75"	MR10 2RS	4350	4650	-	12000	0.155	MI6
	0.625"	1.125"	0.75"	MR10N	4350	4650	30000	20000	0.120	MI6N
3/4	0.75"	1.25"	0.75"	MR12N	4650	5240	25000	16000	0.140	MI8N
	0.75"	1.25"	1"	MR12	6190	7580	25000	16000	0.170	MI8
	0.75"	1.25"	1"	MR12 2RS	4650	5240	-	10000	0.171	MI8
7/8	0.875"	1.375"	0.75"	MR14N	5180	6270	21000	13000	0.160	MI10N
	0.875"	1.375"	1"	MR14	6910	9070	21000	13000	0.210	MI10
	0.875"	1.375"	1"	MR14 2RS	5180	6270	-	8700	0.188	MI10
1	1"	1.5"	0.75"	MR16N	5680	7300	18000	12000	0.200	MI12N, MI13N
	1"	1.5"	1"	MR16	7560	10600	18000	12000	0.230	MI12, MI13
	1"	1.5"	1"	MR16 2RS	5680	7300	-	7600	0.220	MI12, MI13
1 1/8	1.125"	1.625"	1"	MR18N	8170	12100	16000	10000	0.240	MI14N, MI15N
	1.125"	1.625"	1.25"	MR18	10100	15800	16000	10000	0.320	MI14, MI15
	1.125"	1.625"	1.25"	MR18 2RS	8170	12100	-	6800	0.290	MI14, MI15
1 1/4	1.25"	1.75"	1"	MR20N	8410	12900	14000	9100	0.270	MI16N
	1.25"	1.75"	1.25"	MR20	10400	16900	14000	9100	0.340	MI16
	1.25"	1.75"	1.25"	MR20 2RS	8410	12900	-	6100	0.380	MI16
1 3/8	1.375"	1.875"	1"	MR22N	8950	14400	13000	8200	0.310	MI18N
	1.375"	1.875"	1.25"	MR22	11100	18900	13000	8200	0.360	MI18
	1.375"	1.875"	1.25"	MR22 2RS	8950	14400	-	5600	0.410	MI18
1 1/2	1.5"	2.0625"	1"	MR24N	10700	16300	12000	7600	0.410	MI20N
	1.5"	2.0625"	1.25"	MR24	13200	21400	12000	7600	0.470	MI19, MI20
	1.5"	2.0625"	1.25"	MR24 2RS	10700	16300	-	5100	0.440	MI19, MI20
1 5/8	1.625"	2.1875"	1"	MR26N	10900	17200	11000	7000	0.460	MI21N
	1.625"	2.1875"	1.25"	MR26	13500	22600	11000	7000	0.510	MI21, MI22-4S
	1.625"	2.1875"	1.25"	MR26 2RS	10900	17200	-	4800	0.470	MI21, MI22-4S
1 3/4	1.75"	2.3125"	1"	MR28N	11200	18200	9900	7000	0.470	MI22N, MI23N, MI24N
	1.75"	2.3125"	1.25"	MR28	13900	23900	9900	6400	0.550	MI22, MI23, MI24
	1.75"	2.3125"	1.25"	MR28 2RS	11200	18100	-	4400	0.510	MI22, MI23, MI24
1 7/8	1.875"	2.4375"	1"	MR30N	14700	26300	9200	6000	0.510	IR253020
	1.875"	2.4375"	1.25"	MR30	14700	26300	9200	6000	0.590	MI25-4S
	1.876"	2.4376"	1.26"	MR30 2RS	14700	26300	-	3000	0.530	MI25-4S
1 15/16	1.9375"	2.5"	1.25"	MR31	12000	22000	6000	6000	0.600	MI26-2S
	2"	2.5625"	1"	MR32N	12100	20900	8600	5600	0.550	MI26N, MI27N
	2"	2.5625"	1.25"	MR32	15000	27500	8600	5600	0.610	MI25, MI26, MI27
2	2"	2.5625"	1.25"	MR32 2RS	12000	20700	-	2000	0.570	MI25, MI26, MI27
	2.25"	3"	1.5"	MR36N	20200	36900	7600	5000	1.130	MI28N
	2.25"	3"	1.75"	MR36	23400	44500	7600	5000	1.320	MI30
2 1/4	2.25"	4"	1.76"	MR36 2RS	22400	39100	-	1700	1.250	MI30
	2.5"	3.25"	1.5"	MR40N	21800	42100	6800	4400	1.230	MI31N, MI32N
	2.5"	3.25"	1.75"	MR40	25200	50800	6800	4400	1.440	MI31, MI32
2 1/2	2.5"	3.25"	1.75"	MR40 2RS	23400	42900	-	1530	1.390	MI31, MI32
	2.75"	3.5"	1.5"	MR44N	22700	45700	6200	4000	1.360	MI36N
	2.75"	3.5"	1.75"	MR44	26300	55100	6200	4000	1.580	MI35, MI36
2 3/4	2.75"	3.5"	1.75"	MR44 2RS	24500	46700	-	1390	1.580	MI35, MI36
	3"	3.75"	1.5"	MR48N	24100	50900	5600	3700	1.530	MI40N
	3"	3.75"	1.75"	MR48	27900	61400	5600	3700	1.700	MI38, MI39, MI40
3	3"	3.75"	1.75"	MR48 2RS	27900	61400	-	1400	1.680	MI38, MI39, MI40
	3 1/4	4.25"	1.75"	MR52	41300	80500	5300	3400	2.640	MI44
	3 1/2	3.5"	4.5"	MR56	42000	84300	4900	3200	3.180	MI47, MI48
3 3/4	3.5"	4.5"	2"	MR56 2RS	42000	84300	-	1200	2.950	MI47, MI48
	3.75"	4.75"	2"	MR60	36000	85000	3200	3000	3.380	MI50, MI52
	4	4"	2"	MR64	37000	90000	3000	2400	3.560	MI54, MI56
4 1/4	4.25"	5.25"	MR68	39000	100000	2800	2200	3.740	MI60	
4 1/2	4.5"	6"	MR72	55000	125000	2500	2000	7.130	MI62	
5	5"	6.5"	2.25"	MR80	60000	140000	2400	1900	7.780	MI64, MI68
	5.5"	7"	2.5"	MR88N	70200	169800	2300	1800	10.400	MI72N
	5.5"	7"	3"	MR88	64000	142000	2180	1700	11.820	MI72
5 1/2	5.5"	8"	2.5"	MR104N	65000	175000	1900	1500	11.850	MI88N
	5.5"	8"	3"	MR104	65000	175000	1800	1400	13.550	MI88
	6	7.5"	2.5"	MR96N	72000	170000	1900	1450	11.080	MI80N
6	6"	7.5"	3"	MR96	72000	170000	1800	1400	12.690	MI80
	7 1/4	7.25"	3"	MR116	90000	225000	1600	1200	19.320	MI96
	7 3/4	7.75"	3"	MR124	95000	230000	1200	900	19.800	MI04
8 1/4	8.25"	10.125"	MR132	97000	240000	1000	800	21.630	MI112	
9 1/4	9.25"	11.125"	MR148	100000	285000	900	750	24.000	MI128	



Needle Roller Bearings - MI Series

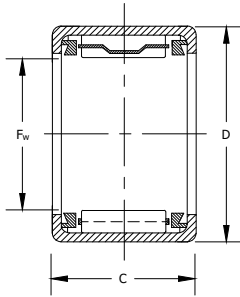
MI Series Inner Rings are designed to be used with MR Series Heavy Duty Needle Roller Bearings when it is not practical to use the shaft as the inner raceway. They are designed with a groove and oil hole to facilitate lubrication.

Shaft Diameter (in.)	Bore (Fw)	Outside Diameter (D)	Width (C)	Bearing Designation	Weight (Lbs)	Used with Bearing
3/8	0.375"	0.625"	0.75"	MI6N	0.05	MR10N
	0.375"	0.625"	1"	MI6	0.07	MR10
7/16	0.4375"	0.625"	0.75"	MI7N	0.04	MR12N
1/2	0.5"	0.75"	0.75"	MI8N	0.05	MR12N
	0.5"	0.75"	1"	MI8	0.06	MR12
9/16	0.5625"	0.75"	0.75"	MI9N	0.04	MR12N
5/8	0.625"	0.875"	0.75"	MI10N	0.06	MR14N
	0.625"	0.875"	1"	MI10	0.08	MR14N
11/16	0.6875"	0.875"	0.75"	MI11N	0.05	MR14N
3/4	0.75"	1"	0.75"	MI12N	0.07	MR16N
	0.75"	1"	1"	MI12	0.1	MR16N
13/16	0.8125"	1"	0.75"	MI13N	0.09	MR16N
	0.8125"	1"	1"	MI13	0.11	MR16
7/8	0.875"	1.125"	1"	MI14N	0.11	MR18N
	0.875"	1.125"	1.25"	MI14	0.13	MR18
15/16	0.9375"	1.125"	1"	MI15N	0.11	MR18N
	0.9375"	1.125"	1.25"	MI15	0.12	MR18
1	1"	1.25"	1"	MI16N	0.13	MR20N
	1"	1.25"	1.25"	MI16	0.16	MR20
1 1/16	1.0625"	1.375"	1.25"	MI17	0.16	MR22
1 1/8	1.125"	1.375"	1"	MI18N	0.14	MR22N
	1.125"	1.375"	1.25"	MI18	0.17	MR22
1 3/16	1.1875"	1.5"	1.25"	MI19	0.24	MR24
1 1/4	1.25"	1.5"	1"	MI20N	0.19	MR24N
	1.25"	1.5"	1.25"	MI20	0.22	MR24
1 3/8	1.3125"	1.625"	1"	MI21N	0.20	MR26N
	1.3125"	1.625"	1.25"	MI21	0.26	MR26
1 3/8	1.375"	1.625"	1.25"	MI22-4S	0.24	MR26N
	1.375"	1.75"	1"	MI22N	0.25	MR28N
	1.375"	1.75"	1.25"	MI22	0.32	MR28
1 7/16	1.4375"	1.75"	1.25"	MI23	0.27	MR28
1 1/2	1.5"	1.75"	1"	MI24N	0.18	MR28N
	1.5"	1.75"	1.25"	MI24	0.22	MR28
1 9/16	1.5625"	1.875"	1.25"	MI25-4S	0.27	MR30
	1.5625"	2"	1.25"	MI25	0.30	MR32
1 5/8	1.625"	2"	1"	MI26N	0.30	MR32N
	1.625"	2"	1.25"	MI26	0.38	MR32
1 11/16	1.6875"	2"	1.25"	MI27	0.32	MR32
	1.6875"	2"	1"	MI27N	0.40	MR32N
1 3/4	1.75"	2.25"	1.5"	MI28N	0.63	MR36N
	1.75"	2.25"	1.75"	MI28	0.74	MR36
1 7/8	1.875"	2.25"	1.75"	MI30	0.85	MR36
1 15/16	1.9375"	2.5"	1.75"	MI31	0.97	MR40
2	2"	2.5"	1.5"	MI32N	0.74	MR40N
	2"	2.5"	1.75"	MI32	0.87	MR40
2 3/16	2.1875"	2.75"	1.75"	MI35	1.06	MR44
2 1/4	2.25"	2.75"	1.5"	MI36N	0.83	MR44N
	2.25"	2.75"	1.75"	MI36	0.97	MR44
2 3/8	2.375"	3"	1.75"	MI38	1.28	MR48
2 7/16	2.4375"	3"	1.75"	MI39	1.05	MR48
2 1/2	2.5"	3"	1.5"	MI40N	0.92	MR48N
	2.5"	3"	1.75"	MI40	1.07	MR48
2 3/4	2.75"	3.25"	1.75"	MI44	1.17	MR52
2 15/16	2.9375"	3.5"	2"	MI47	1.58	MR56
3	3"	3.5"	1.75"	MI48N	1.32	MR56
	3"	3.5"	2"	MI48	1.43	MR56
3 1/8	3.125"	3.75"	2"	MI50	1.88	MR60
3 1/4	3.25"	3.75"	2"	MI52	1.52	MR60
3 3/8	3.375"	4"	2"	MI54	2.04	MR64
3 1/2	3.5"	4"	2"	MI56	1.83	MR64
3 3/4	3.75"	4.25"	2"	MI60	1.75	MR68
3 7/8	3.875"	4.5"	2.25"	MI62	3.25	MR72
4	4"	5"	2.25"	MI64	4.38	MR80
4 1/4	4.25"	5"	2.25"	MI68	5.24	MR80
4 1/2	4.5"	5.5"	2.5"	MI72N	4.98	MR88N
	4.5"	5.5"	3"	MI72	5.97	MR88
4 3/4	4.75"	5.75"	3"	MI76	5.00	MR92
5 2.5/5	5"	6"	2.5"	MI80N	5.93	MR96N
	5"	6"	3"	MI80	7.12	MR96
5 1/2	5.5"	6.5"	2.5"	MI88N	6.30	MR104N
	5.5"	6.5"	3"	MI88	7.56	MR104
6	6"	7.25"	3"	MI96	11.06	MR116
6 1/2	6.5"	7.75"	3"	MI104	11.90	MR124
7	7"	8.25"	3"	MI112	12.70	MR132
8	8"	9.25"	3"	MI128	14.40	MR148

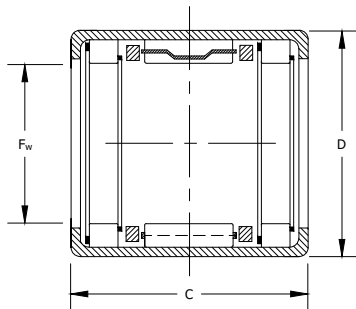
Drawn Cup Roller Clutch Bearings

Drawn Cup Needle Roller Clutches are similar to Drawn Cup Needle Roller Bearings in design, however they allow rotation in only one direction while transmitting torque in the opposite direction. Like the basic drawn cup needle roller bearings, they provide a low cross section that allows it to be used in the smallest amount of space. They are designed to operate directly on a hardened shaft.

The design calls for caged construction that includes an interior spring that wedges against the needle rollers and allows free running in one direction but locks the clutch with the shaft when rotated in the opposite direction. The bearings are easily installed with a press fit in the housing.



Shaft Diameter (in.)	Bore (Fw)	Outside Diameter D	Width C	Bearing Designation	Limiting Speed Oil (RPM)	Weight (lbs)
1/4	0.25"	0.4375"	0.5"	RC040708	20000	0.010
3/8	0.375"	0.625"	0.5"	RC061008	18000	0.020
1/2	0.5"	0.75"	0.5"	RC081208	17000	0.020
5/8	0.625"	0.875"	0.625"	RC101410	14000	0.030
3/4	0.75"	1"	0.625"	RC121610	12000	0.030
1	1"	1.3125"	0.625"	RC162110	8700	0.010



Shaft Diameter (in.)	Bore (Fw)	Outside Diameter D	Width C	Bearing Designation	Limiting Speed Oil (RPM)	Weight (lbs)
3/8	0.375"	0.625"	0.875"	RCB061014	18000	0.030
1/2	0.5"	0.75"	0.875"	RCB081214	17000	0.040
5/8	0.625"	0.875"	1"	RCB101416	14000	0.050
3/4	0.75"	1"	1"	RCB121616	12000	0.060
1	1"	1.3125"	1.063"	RCB162117	8700	0.100

Cam Followers

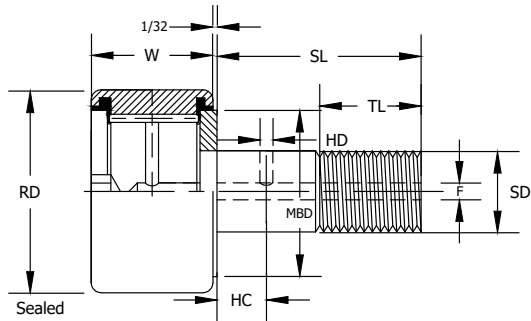
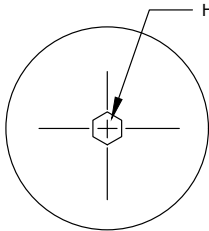
CF-SB Series

Cam Followers (also known as track rollers) are designed with a thick outer ring to run directly in a track. The design permits high-load carrying capacity while minimizing distortion/bending. Stud type Cam Followers utilize needle rollers in a full complement configuration (no cage) to maximize load capacity and are designed for overhung or cantilever mounting. They are supplied fully lubricated with a high quality multipurpose grease, but are also relubricatable through a radial hole in the stem of the stud or through either end of the stud.

Seals (suffix S) utilizing internal thrust washers extend service life in dusty environments or in conditions of infrequent re-lubrication.

TRITAN Cam Followers are supplied with a black oxide finish to prevent corrosion, and hexagonal wrench socket (suffix B) in the end of the stud that facilitates easy mounting, especially in situations in blind holes or when greater than average thread torque is required.

Cam Followers are commonly used in industrial applications such as material handling equipment, ram support rollers, and indexing equipment.



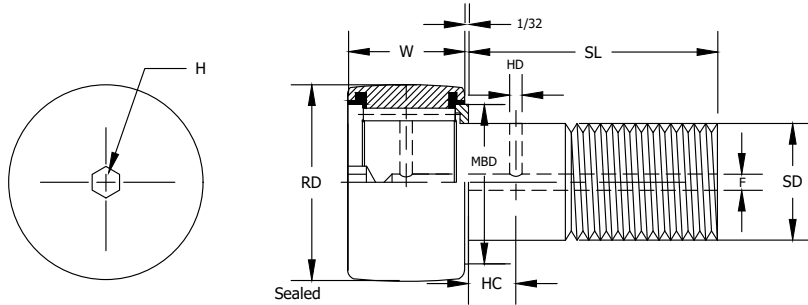
- Full complement
- Hex socket
- Sealed
- Black oxide finish

Bearing Designation	Roller Dia (RD) +.000 -.001	Roller Width (W) +.000 -.005	Stud Dia. (SD) +.001 -.000	Stud Length SL	Min Thread Length (TL)	Fine Threads	Oil Hole		LUB Fitting Size (F)	Min. Boss Dia.	Max Static Capacity Lbs.	Basic Dynamic Rating Lbs.	Weight (Lbs)
							Hole Center (HC)	Hole Dia. (HD)					
CF 1/2SB	.5000	.3750	.1900	5/8	1/4	10-32 UNF	-	-	-	19/64	790	680	0.02
CF 9/16SB	.5625	.3750	.1900	5/8	1/4	10-32 UNF	-	-	-	19/64	790	680	0.03
CF 5/8SB	.6250	.4375	.2500	3/4	5/16	1/4-28 UNF	-	-	-	23/64	1215	955	0.04
CF 11/16SB	.6875	.4375	.2500	3/4	5/16	1/4-28 UNF	-	-	-	23/64	1215	955	0.05
CF 3/4SB	.7500	.5000	.3750	7/8	3/8	3/8-24 UNF	1/4	3/32	3/16	1/2	2065	1660	0.07
CF 7/8SB	.8750	.5000	.3750	7/8	3/8	3/8-24 UNF	1/4	3/32	3/16	1/2	2065	1660	0.09
CF 1SB	1.000	.6250	.4375	1	1/2	7/16-20 UNF	1/4	3/32	3/16	41/64	3060	2225	0.15
CF 1 1/8SB	1.125	.6250	.4375	1	1/2	7/16-20 UNF	1/4	3/32	3/16	41/64	3060	2225	0.19
CF 1 1/4SB	1.250	.7500	.5000	1 1/4	5/8	1/2-20 UNF	5/16	3/32	3/16	49/64	4250	3930	0.32
CF 1 3/8SB	1.375	.7500	.5000	1 1/4	5/8	1/2-20 UNF	5/16	3/32	3/16	49/64	4250	3930	0.37
CF 1 1/2SB	1.500	.8750	.6250	1 1/2	3/4	5/8-18 UNF	3/8	3/32	3/16	57/64	5640	4840	0.49
CF 1 5/8SB	1.625	.8750	.6250	1 1/2	3/4	5/8-18 UNF	3/8	3/32	3/16	57/64	5640	4840	0.57
CF 1 3/4SB	1.750	1.000	.7500	1 3/4	7/8	3/4-16 UNF	7/16	3/32	3/16	1 3/64	7920	6385	0.79
CF 1 7/8SB	1.875	1.000	.7500	1 3/4	7/8	3/4-16 UNF	7/16	3/32	3/16	1 3/64	7920	6385	0.89
CF 2SB	2.000	1.250	.8750	2	1	7/8-14 UNF	1/2	1/8	3/16	1 13/64	10570	8090	1.28
CF 2 1/4SB	2.250	1.250	.8750	2	1	7/8-14 UNF	1/2	1/8	3/16	1 13/64	10570	8090	1.57
CF 2 1/2SB	2.500	1.500	1.000	2 1/4	1 1/8	1-14 UNF	9/16	1/8	3/16	1 5/16	16450	11720	2.35
CF 2 3/4SB	2.750	1.500	1.000	2 1/4	1 1/8	1-14 UNF	9/16	1/8	3/16	1 5/16	16450	11720	2.79
CF 3SB	3.000	1.750	1.250	2 1/2	1 1/4	1 1/4-12 UNF	5/8	1/8	1/4 *	1 3/4	24910	15720	3.92
CF 3 1/4SB	3.250	1.750	1.250	2 1/2	1 1/4	1 1/4-12 UNF	5/8	1/8	1/4 *	1 3/4	24910	15720	4.52
CF 3 1/2SB	3.500	2.000	1.375	2 3/4	1 3/8	1 3/8-12 UNF	11/16	1/8	1/4 *	1 59/64	31625	22800	6.04
CF 4SB	4.000	2.250	1.500	3 1/2	1 1/2	1 1/2-12 UNF	3/4	1/8	1/4 *	2 9/32	44770	29985	9.07

* Lubrication hole at bottom of hex hole and grease fitting with ball check supplied but not installed

S=Sealed. B=Hex Head. Also available with screw driver slot head (no suffix), & non sealed (leave off "S" suffix) by request, subject to minimum quantities and factory lead time

CCF-SB Series



- Full complement
- Crowned O.D.
- Hex socket
- Sealed
- Black oxide finish

Bearing Designation	Roller Dia (RD) +.000 -.001	Roller Width (W) +.000 -.005	Stud Dia. (SD) +.001 -.000	Stud Length SL	Min Thread Length (TL)	Fine Threads	Oil Hole		LUB Fitting Size (F)	Min. Boss Dia.	Housing Bore Dia. +.0002 -.0003	Recom. Clamping Torque Pounds-Inches	Max Static Capacity Lbs.	Basic Dynamic Rating Lbs.	Weight (Lbs)
							Hole Center (HC)	Hole Dia. (HD)							
CCF 1/2SB	.5000	.3750	.1900	5/8	1/4	10-32 UNF	-	-	-	19/64	.1903	15	790	680	0.02
CCF 9/16SB	.5625	.3750	.1900	5/8	1/4	10-32 UNF	-	-	-	19/64	.1903	15	790	680	0.03
CCF 5/8SB	.6250	.4375	.2500	3/4	5/16	1/4-28 UNF	-	-	-	23/64	.2503	35	1215	955	0.05
CCF 11/16SB	.6875	.4375	.2500	3/4	5/16	1/4-28 UNF	-	-	-	23/64	.2503	35	1215	955	0.06
CCF 3/4SB	.7500	.5000	.3750	7/8	3/8	3/8-24 UNF	1/4	3/32	3/16	1/2	.3753	95	2065	1660	0.08
CCF 7/8SB	.8750	.5000	.3750	7/8	3/8	3/8-24 UNF	1/4	3/32	3/16	1/2	.3753	95	2065	1660	0.10
CCF 1SB	1.000	.6250	.4375	1	1/2	7/16-20 UNF	1/4	3/32	3/16	41/64	.4378	250	3060	2225	0.16
CCF 1 1/8SB	1.125	.6250	.4375	1	1/2	7/16-20 UNF	1/4	3/32	3/16	41/64	.4378	250	3060	2225	0.19
CCF 1 1/4SB	1.250	.7500	.5000	1 1/4	5/8	1/2-20 UNF	5/16	3/32	3/16	49/64	.5003	350	4250	3930	0.29
CCF 1 3/8SB	1.375	.7500	.5000	1 1/4	5/8	1/2-20 UNF	5/16	3/32	3/16	49/64	.5003	350	4250	3930	0.35
CCF 1 1/2SB	1.500	.8750	.6250	1 1/2	3/4	5/8-18 UNF	3/8	3/32	3/16	57/64	.6253	650	5640	4840	0.51
CCF 1 5/8SB	1.625	.8750	.6250	1 1/2	3/4	5/8-18 UNF	3/8	3/32	3/16	57/64	.6253	650	5640	4840	0.61
CCF 1 3/4SB	1.750	1.000	.7500	1 3/4	7/8	3/4-16 UNF	7/16	3/32	3/16	1 3/64	.7503	1250	7920	6385	0.83
CCF 1 7/8SB	1.875	1.000	.7500	1 3/4	7/8	3/4-16 UNF	7/16	3/32	3/16	1 3/64	.7503	1250	7920	6385	0.97
CCF 2SB	2.000	1.250	.8750	2	1	7/8-14 UNF	1/2	1/8	3/16	1 13/64	.8753	1500	10570	8090	1.33
CCF 2 1/4SB	2.250	1.250	.8750	2	1	7/8-14 UNF	1/2	1/8	3/16	1 13/64	.8753	1500	10570	8090	1.63
CCF 2 1/2SB	2.500	1.500	1.000	2 1/4	1 1/8	1-14 UNF	9/16	1/8	3/16	1 5/16	1.0003	2250	16450	11720	2.48
CCF 2 3/4SB	2.750	1.500	1.000	2 1/4	1 1/8	1-14 UNF	9/16	1/8	3/16	1 5/16	1.0003	2250	16450	11720	2.82
CCF 3SB	3.000	1.750	1.250	2 1/2	1 1/4	1 1/4-12 UNF	5/8	1/8	1/4 *	1/34	1.2503	3450	24910	15720	4.1
CCF 3 1/4SB	3.250	1.750	1.250	2 1/2	1 1/4	1 1/4-12 UNF	5/8	1/8	1/4 *	1/34	1.2503	3450	24910	15720	4.75
CCF 3 1/2SB	3.500	2.000	1.375	2 3/4	1 3/8	1 3/8-12 UNF	11/16	1/8	1/4 *	1 59/64	1.3753	4200	31625	22800	6.04
CCF 4SB	4.000	2.250	1.500	3 1/2	1 1/2	1 1/2-12 UNF	3/4	1/8	1/4 *	2 9/32	1.5003	5000	44770	29985	9.07

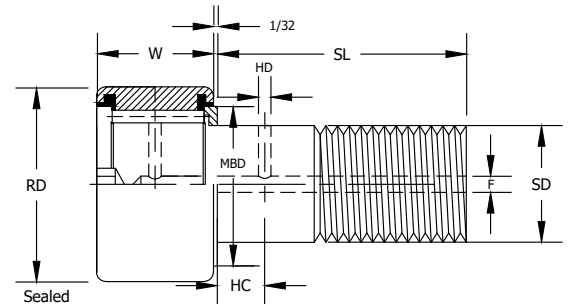
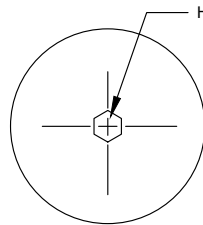
* Lubrication hole at bottom of hex hole and grease fitting with ball check supplied but not installed

S=Sealed. B=Hex Head. Also available with screw driver slot head (no suffix), & non sealed (leave off "S" suffix) by request, subject to minimum quantities and factory lead time

CFH-SB Series



- Full complement
- Heavy stud
- Hex socket
- Sealed
- Black oxide finish

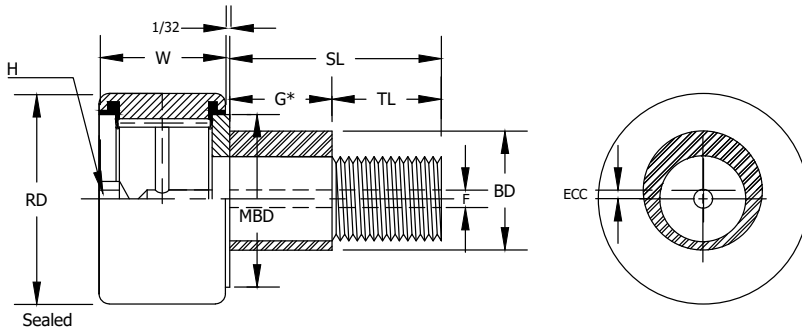


Bearing Designation	Roller Dia (RD) +.000 -.001	Roller Width (W) +.000 -.005	Stud Dia. (SD) +.001 -.000	Stud Length SL	Min Thread Length (TL)	Fine Threads	Oil Hole		LUB Fitting Size (F)	Min. Boss Dia.	Housing Bore Dia. +.0002 -.0003	Recom. Clamping Torque Pounds-Inches	Max Static Capacity Lbs.	Basic Dynamic Rating Lbs.	Weight (Lbs)
							Hole Center (HC)	Hole Dia. (HD)							
CFH 1/2SB	.5000	.3750	.2500	5/8	1/4	1/4-28 UNF	-	-	-	13/32	.2503	35	1580	680	0.02
CFH 9/16SB	.5625	.3750	.2500	5/8	1/4	1/4-28 UNF	-	-	-	13/32	.2503	35	1580	680	0.03
CFH 5/8SB	.6250	.4375	.3125	3/4	5/16	5/16-24 UNF	-	-	-	15/32	.3128	90	2480	955	0.04
CFH 11/16SB	.6875	.4375	.3125	3/4	5/16	5/16-24 UNF	-	-	-	15-32	.3125	90	2480	955	0.06
CFH 3/4SB	.7500	.5000	.4375	7/8	3/8	7/16-20 UNF	1/4	3/32	3/16	39/64	.4378	250	4130	1660	0.08
CFH 7/8SB	.8750	.5000	.4375	7/8	3/8	7/16-20 UNF	1/4	3/32	3/16	39/64	.4378	250	4130	1660	0.10
CFH 1SB	1.000	.6250	.6250	1	1/2	5/8-18 UNF	1/4	3/32	3/16	25/32	.6253	650	6120	2225	0.19
CFH 1 1/8SB	1.125	.6250	.6250	1	1/2	5/8-18 UNF	1/4	3/32	3/16	25/32	.6253	650	6120	2225	0.26
CFH 1 1/4SB	1.250	.7500	.7500	1 1/4	5/8	3/4-16 UNF	5/16	3/32	3/16	63/64	.7503	1250	8500	3930	0.37
CFH 1 3/8SB	1.375	.7500	.7500	1 1/4	5/8	3/4-16 UNF	5/16	3/32	3/16	63/64	.7503	1250	8500	3930	0.42
CFH 1 1/2SB	1.500	.8750	.8750	1 1/2	3/4	7/8-14 UNF	3/8	3/32	3/16	1 3/32	.8753	1500	11280	4840	0.61
CFH 1 5/8SB	1.6250	.8750	.8750	1 1/2	3/4	7/8-14 UNF	3/8	3/32	3/16	1 3/32	.8753	1500	11280	4840	0.69
CFH 1 3/4SB	1.750	1.000	1.000	1 3/4	7/8	1-14 UNF	7/16	3/32	3/16	1 1/4	1.0003	2250	15840	6385	0.96
CFH 1 7/8SB	1.875	1.000	1.000	1 3/4	7/8	1-14 UNF	7/16	3/32	3/16	1 1/4	1.0003	2250	15840	6385	1.07
CFH 2SB	2.000	1.250	1.125	2	1	1 1/8-12 UNF	1/2	1/8	3/16	1 13/32	1.1253	2800	21140	8090	1.50
CFH 2 1/4SB	2.250	1.250	1.125	2	1	1 1/8-12 UNF	1/2	1/8	3/16	1 13/32	1.1253	2800	21140	8090	1.79
CFH 2 1/2SB	2.500	1.500	1.250	2 1/4	1 1/8	1 1/4-12 UNF	9/16	1/8	3/16	1 11/16	1.2503	3450	32900	11720	2.61
CFH 2 3/4SB	2.750	1.500	1.250	2 1/4	1 1/8	1 1/4-12 UNF	9/16	1/8	3/16	1 11/16	1.2503	3450	32900	11720	3.06
CFH 3SB	3.000	1.750	1.500	2 1/2	1 1/4	1 1/2-12 UNF	5/8	1/8	1/4 *	2 1/8	1.5003	5000	49820	15720	4.29
CFH 3 1/4SB	3.250	1.750	1.500	2 1/2	1 1/4	1 1/2-12 UNF	5/8	1/8	1/4 *	2 1/8	1.5003	5000	49820	15720	5.50
CFH 3 1/2SB	3.500	2.000	1.750	2 3/4	1 3/8	1 3/4-12 UNF	11/16	1/8	1/4 *	2 7/16	1.7503	5000	63250	22800	7.04
CFH 4SB	4.000	2.250	2.000	3 1/2	1 1/2	2-12 UNF	3/4	1/8	1/4 *	2 51/64	2.0003	5000	89540	29985	10.18

* Lubrication hole at bottom of hex hole and grease fitting with ball check supplied but not installed

S=Sealed. B=Hex Head. Also available with screw driver slot head (no suffix), & non sealed (leave off "S" suffix) by request, subject to minimum quantities and factory lead time

CFE-SB Series



- Full complement
- Eccentric stud
- Hex socket
- Sealed
- Black oxide finish

Bearing Designation	Roller Dia (RD) +.000 -.001	Roller Width (W) +.000 -.005	Bushing Length (G*) +.000 -.010	Bushing Dia. (B.D.) ± .001	Stud Length (SL)	Min Thread Length (TL)	Fine Threads	ECC	LUB. Fitting Size (F)	Recom. Clamping Torque Pound-Inches	Max Static Capacity Lbs.	Basic Dynamic Rating Lbs.	Weight (Lbs)
CFE 1/2SB	.5000	.3750	.3750	.2500	5/8	1/4	10-32 UNF	.010	-	15	790	680	0.03
CFE 9/16SB	.5625	.3750	.3750	.2500	5/8	1/4	10-32 UNF	0.10	-	15	790	680	0.05
CFE 5/8SB	.6250	.4375	.4370	.3750	3/4	5/16	1/4-28 UNF	.015	-	35	1215	955	0.06
CFE 11/16SB	.6875	.4375	.4370	.3750	3/4	5/16	1/4-28 UNF	.015	-	35	1215	955	0.08
CFE 3/4SB	.7500	.5000	.5000	.5000	7/8	3/8	3/8-24 UNF	.015	3/16	95	2065	1660	0.09
CFE 7/8SB	.8750	.5000	.5000	.5000	7/8	3/8	3/8-24 UNF	.015	3/16	95	2065	1660	0.11
CFE 1SB	1.000	.6250	.5000	.6250	1	1/2	7/16-20 UNF	.030	3/16	250	3060	2225	0.18
CFE 1 1/8SB	1.125	.6250	.5000	.6250	1	1/2	7/16-20 UNF	.030	3/16	250	3060	2225	0.21
CFE 1 1/4SB	1.250	.7500	.6250	.6870	1 1/4	5/8	1/2-20 UNF	.030	3/16	350	4250	3930	0.32
CFE 1 3/8SB	1.375	.7500	.6250	.6870	1 1/4	5/8	1/2-20 UNF	.030	3/16	350	4250	3930	0.37
CFE 1 1/2SB	1.500	.8750	.7500	.8750	1 1/2	3/4	5/8-18 UNF	.030	3/16	650	5640	4840	0.57
CFE 1 5/8SB	1.625	.8750	.7500	.8750	1 1/2	3/4	5/8-18 UNF	.030	3/16	650	5640	4840	0.69
CFE 1 3/4SB	1.750	1.000	.8750	1.000	1 3/4	7/8	3/4-16 UNF	.030	3/16	1250	7920	6385	0.89
CFE 1 7/8SB	1.875	1.000	.8750	1.000	1 3/4	7/8	3/4-16 UNF	.030	3/16	1250	7920	6385	0.99
CFE 2SB	2.000	1.250	1.000	1.187	2	1	7/8-14 UNF	.030	3/16	1500	10570	8090	1.46
CFE 2 1/4SB	2.250	1.250	1.000	1.187	2	1	7/8-14 UNF	.030	3/16	1500	10570	8090	1.75
CFE 2 1/2SB	2.500	1.500	1.125	1.375	2 1/4	1 1/8	1-14 UNF	.030	3/16	2250	16450	11720	2.78
CFE 2 3/4SB	2.750	1.500	1.250	1.375	2 1/4	1 1/8	1-14 UNF	.030	3/16	2250	16450	11720	3.21
CFE 3SB	3.000	1.750	1.250	1.750	2 1/2	1 1/4	1 1/4-12 UNF	.060	* 1/4	3450	24910	15720	4.70
CFE 3 1/4SB	3.250	1.750	1.250	1.750	2 1/2	1 1/4	1 1/4-12 UNF	.060	* 1/4	3450	24910	15720	5.31
CFE 3 1/2SB	3.500	2.000	1.375	1.182	2 3/4	1 3/8	1 3/8-12 UNF	.060	* 1/4	4200	31625	22800	6.85
CFE 4SB	4.000	2.250	2.000	2.000	3 1/2	1 1/2	1 1/2-12 UNF	.060	* 1/4	5000	44770	29985	10.24

* Lubrication hole at bottom of hex hole and grease fitting with ball check supplied but not installed

S=Sealed. B=Hex Head. Also available with screw driver slot head (no suffix), & non sealed (leave off "S" suffix) by request, subject to minimum quantities and factory lead time

Yoke Roller

CYR-S Series

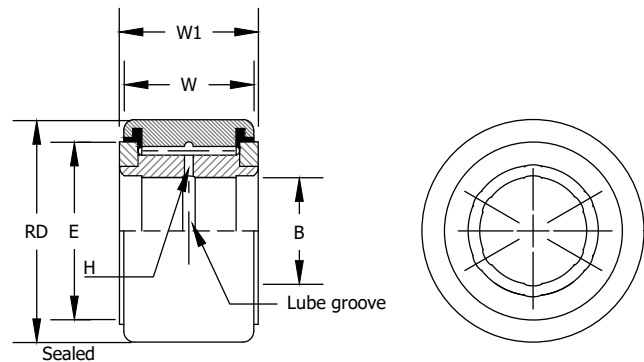


- Full complement
- Sealed
- Black oxide finish

Yoke Type Cam Followers (also known as track rollers or yoke rollers) are designed with a thick outer ring to run directly in a track. The design permits high-load carrying capacity while minimizing distortion / bending. They utilize needle rollers in a full complement configuration (no cage) to maximize load capacity, are designed for shaft mounting, and are supplied fully lubricated with a high quality multipurpose grease; but are also relubricatable through a radial oil hole found in the inner race.

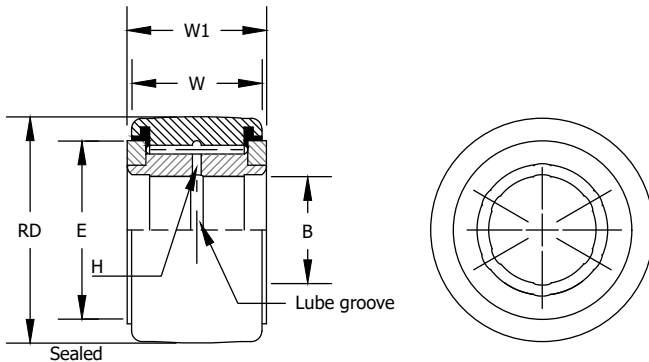
Seals (suffix S) utilizing internal thrust washers extend service life in dusty environments or in conditions of infrequent re-lubrication. TRITAN Cam Followers are supplied with a black oxide finish to prevent corrosion.

Yoke Rollers are commonly used in industrial applications such as: material handling equipment, ram support rollers, and indexing equipment.



Bearing Designation	Roller Dia (RD) +.000 -.001	Roller Width (W) +.000 -.005	Bore (B)		Width Over End Plates (W1) +.005 -.010	Dia. of End Plates (E)	Oil Hole Dia. (H)	Max Static Capacity Lbs.	Basic Dynamic Rating Lbs.	Weight (Lbs)
			Nominal	Tol.						
CYR 3/4S	.7500	.5000	.2500		.56250	39/64		4130	1660	0.05
CYR 7/8S	.8750	.5000	.2500		.56250	39/64		4130	1660	0.07
CYR 1S	1.000	.6250	.3125		.68750	25/32		6120	2225	0.11
CYR 1 1/8S	1.125	.6250	.3125		.68750	25/32		6120	2225	0.16
CYR 1 1/4S	1.250	.7500	.3750		.81250	63/64		8500	3930	0.21
CYR 1 3/8S	1.375	.7500	.3750		.81250	63/64		8500	3930	0.27
CYR 1 1/2S	1.500	.8750	.4375	+.0002	.93750	1 3/32	3/32	11280	4840	0.36
CYR 1 5/8S	1.625	.8750	.4375	-.0004	.93750	1 3/32		11280	4840	0.43
CYR 1 3/4S	1.750	1.000	.5000		1.0625	1 1/4		15840	6385	0.56
CYR 1 7/8S	1.875	1.000	.5000		1.0625	1 1/4		15840	6385	0.66
CYR 2S	2.000	1.250	.6250		1.3125	1 13/32		21140	8090	0.90
CYR 2 1/4S	2.250	1.250	.6250		1.3125	1 13/32		21140	8090	1.18
CYR 2 1/2S	2.500	1.500	.7500		1.5625	1 11/16		32900	11720	1.74
CYR 2 3/4S	2.750	1.500	.7500		1.5625	1 11/16		32900	11720	2.18
CYR 3S	3.000	1.750	1.000		1.8125	2 1/8		49820	15720	2.86
CYR 3 1/4S	3.250	1.750	1.000		1.8125	2 1/8		49820	15720	3.46
CYR 3 1/2S	3.500	2.000	1.125	+.001	2.0625	2 7/16	1/8	63250	22800	4.53
CYR 4S	4.000	2.250	1.250	-.0005	2.3125	2 51/64		89540	29985	6.77
CYR 5S	5.000	2.750	1.750		2.8750	3 9/16		135900	46575	13.20
CYR 6S	6.000	3.250	2.250		3.3750	4 15/32		160900	60000	24.12

CCYR-S Series



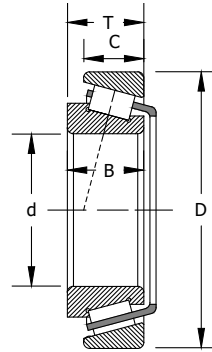
- Full complement
- Sealed
- Black oxide finish

Bearing Designation	Roller Dia (RD) +.000 -.001	Roller Width (W) +.000 -.005	Bore (B)		Width Over End Plates (WI) +.005 -.010	Dia. of End Plates (E)	Oil Hole Dia. (H)	Max Static Capacity Lbs.	Basic Dynamic Rating Lbs.	Weight (Lbs)
			Nominal	Tol.						
CCYR 3/4S	.7500	.5000	.2500		.56250	39/64		4130	1660	0.05
CCYR 7/8S	.8750	.5000	.2500		.56250	39/64		4130	1660	0.07
CCYR 1S	1.000	.6250	.3125		.68750	25/32		6120	2225	0.11
CCYR 1 1/8S	1.125	.6250	.3125		.68750	25/32		6120	2225	0.16
CCYR 1 1/4S	1.250	.7500	.3750		.81250	63/64		8500	3930	0.20
CCYR 1 3/8S	1.375	.7500	.3750		.81250	63/64		8500	3930	0.26
CCYR 1 1/2S	1.500	.8750	.4375	+0.002	.93750	1 3/32	3/32	11280	4840	0.38
CCYR 1 5/8S	1.625	.8750	.4375	-0.004	.97350	1 3/32		11280	4840	0.45
CCYR 1 3/4S	1.750	1.000	.5000		1.0625	1 1/4		15840	6385	0.58
CCYR 1 7/8S	1.875	1.000	.5000		1.0625	1 1/4		15840	6385	0.67
CCYR 2S	2.000	1.250	.6250		1.3125	1 13/32		21140	8090	0.92
CCYR 2 1/4S	2.250	1.250	.6250		1.3125	1 13/32		21140	8090	1.21
CCYR 2 1/2S	2.500	1.500	.7500		1.5625	1 11/16		32900	11720	1.76
CCYR 2 3/4S	2.750	1.500	.7500		1.5625	1 11/16		32900	11720	2.20
CCYR 3S	3.000	1.750	1.000		1.8125	2 1/8		49820	15720	2.86
CCYR 3 1/4S	3.250	1.750	1.000	+0.001	1.8125	2 1/8	1/8	49820	15720	3.48
CCYR 3 1/2S	3.500	2.000	1.125	-0.0005	2.0625	2 7/16		63250	22800	4.52
CCYR 4S	4.000	2.250	1.250		2.3125	2 51/64		89540	29985	6.80

Metric Tapered Roller Bearings

Taper roller bearings utilize cone shaped rollers in an inner ring which rolls on tapered outer ring surfaces. The rollers are guided by a cage, and the projection lines of the tapered surfaces meet at a common point on the bearing axis. Their design makes them suitable for combined (radial & axial) loads, and heavy axial loads determined by the contact angle.

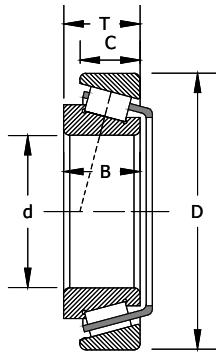
Standard designs are typically separable and most commonly designed with a cone (inner ring with cage and rollers), which can be mounted separately from the cup (outer ring). This design allows for great flexibility in assembly, and is one of the key advantages to this type of bearing. Unlike the common inch series taper roller bearings, Metric Tapered Roller Bearings are sold exclusively as a complete cup and cone set.



Bearing Designation	Dimensions					Load Ratings (Lbs)		Limiting Speeds (r/min)		Weight (Lbs)
	Bore Diameter d	Outside Diameter D	Overall Width T	Inner Ring Width B	Outer Ring Width C	Dynamic Load C	Static Load Co	Oil	Grease	
30202	15	35	11.75			4833	4451	13000	9000	0.13
30302	15	42	14.25	13	11	4900	4500	12000	8500	0.20
30203	17	40	13.25	12	11	4114	4291	13000	9000	0.13
30303	17	47	15.25	14	12	5845	5508	12000	8500	0.29
32303	17	47	20.25	19	16	7644	7981	11000	8000	0.37
32004X	20	42	15	15	12	5845	6407	12000	8500	0.18
30204	20	47	15.25	14	12	5800	5935	11000	8000	0.29
30304	20	52	16.25	15	13	7194	7219	11000	8000	0.38
32304	20	52	22.25	21	18	9554	10591	10000	7500	0.49
32005X	25	47	15	15	11.5	5845	7531	11000	8000	0.27
30205	25	52	16.25	15	13	6767	7396	10000	7500	0.36
32205	25	52	19.25	18	15	6969	8340	10000	7500	0.42
30305	25	62	18.25	17	15	9667	9691	9000	6700	0.56
31305	25	62	18.25	17	13	8768	9226	7500	5600	0.50
32305	25	62.72	25.25	24	20	13106	13556	8000	6000	0.80
32006X	30	55	17	17	13	7644	10229	9000	6700	0.40
32206	30	62	21.25	20	17	11016	13733	8500	6300	0.62
30206	30	65	17.25	16	14	9105	10139	8500	6300	0.55
30306	30	72	20.75	19	16	11892	11645	7500	5600	0.84
31306	30	72	20.75	19	14	10454	11128	6700	5000	0.82
32306	30	75	28.75	27	23	17041	18592	7000	5300	1.19
32007X	35	62	18	18	14	8071	11780	8000	6000	0.52
30207	35	72	18.25	17	15	11353	12297	7000	5300	0.76
32207	35	72	24.25	23	19	14882	17423	7000	5300	0.95
30307	35	80	22.75	21	18	16006	16299	6700	5000	1.15
31307	35	80	22.75	21	15	13061	14396	6000	4500	1.10
32307	35	80	32.75	31	25	21424	23830	6300	4800	1.59

Chart continues on next page

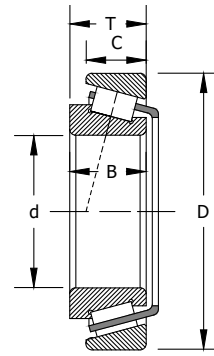
Metric Tapered Roller Bearings



Bearing Designation	Dimensions					Load Ratings (Lbs)		Limiting Speeds (r/min)		Weight (Lbs)
	Bore Diameter d	Outside Diameter D	Overall Width T	Inner Ring Width B	Outer Ring Width C	Dynamic Load C	Static Load Co	Oil	Grease	
32008X	40	68	19	19	4.5	10971	14747	7000	5300	0.62
30208	40	80	19.75	18	16	13016	14028	6300	4800	0.98
32208	40	80	24.75	23	19	14882	17872	6300	4800	1.12
30308	40	90	25.75	23	20	18861	20525	6000	4500	1.54
31308	40	90	25.25	23	17	16771	17668	5300	4000	1.51
32308	40	90	35.25	33	27	23605	27427	5300	4000	2.18
32009X	45	75	20	20	15.5	12814	18479	6300	4800	0.81
30209	45	85	20.75	19	16	13511	15085	6000	4500	1.10
32209	45	85	24.75	23	19	17198	20592	6000	4500	1.23
30309	45	100	27.25	25	22	23830	26527	5300	4000	2.03
31309	45	100	27.25	25	18	19986	21829	4500	3400	2.02
32309	45	100	38.25	36	30	29900	35745	4800	3600	2.93
32010X	50	80	20	20	15.5	13151	19896	6000	4500	0.88
30210	50	90	21.75	20	17	15669	18277	5600	4300	1.24
32210	50	90	24.75	23	19	17782	21537	5600	4300	1.30
30310	50	110	29.25	27	23	26977	29900	4300	3200	2.62
31310	50	110	29.25	27	19	26977	29900	4300	3200	2.56
32310	50	110	42.25	40	33	35969	43613	4300	3200	3.84
32011X	55	90	23	23	17.5	17310	26303	5300	4000	1.30
30211	55	100	22.75	21	18	18659	21402	5000	3800	1.62
32211	55	100	26.75	25	21	21627	25853	5000	3800	1.81
30311	55	120	31.5	29	25	32822	37318	4300	3200	3.37
31311	55	120	31.5	29	21	26527	29900	3800	2800	3.29
32311	55	120	45.5	43	35	42939	52830	4000	3000	4.85
32012X	60	95	23	23	17.5	17648	26752	5000	3800	1.38
30212	60	110	23.75	22	19	20592	23605	4500	3400	2.05
32212	60	110	29.75	28	24	27427	34171	4000	3000	2.43
30312	60	130	33	31	26	36869	42039	4000	3000	4.19
31312	60	130	33.5	31	22	31473	35520	3600	2600	4.04
32312	60	130	48.5	46	37	51481	64745	3600	2600	6.17
32013X	65	100	23	23	17.5	18120	27652	4500	3400	1.46
30213	65	120	24.75	23	20	24954	29000	4000	3000	2.60
32213	65	120	32.75	31	27	33497	42489	3600	2600	3.26
30313	65	140	36	33	28	42939	49458	3600	2600	5.07
31313	65	140	36	33	23	36869	42489	3200	2200	4.96
32313	65	140	51	48	39	57551	72388	3400	2400	7.50

Chart continues on next page

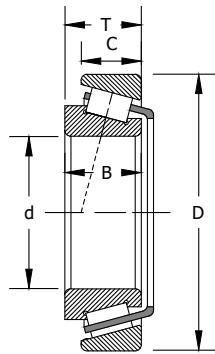
Metric Tapered Roller Bearings



Bearing Designation	Dimensions					Load Ratings (Lbs)		Limiting Speeds (r/min)		Weight (Lbs)
	Bore Diameter d	Outside Diameter D	Overall Width T	Inner Ring Width B	Outer Ring Width C	Dynamic Load C	Static Load Co	Oil	Grease	
32014X	70	110	25	25	19	21492	32148	4300	3200	1.97
30214	70	125	26.25	24	21	26752	32148	4000	3000	2.89
32214	70	125	33.25	31	27	35295	45861	3800	2800	3.44
30314	70	150	38	35	30	50357	59350	3400	2400	6.62
31314	70	150	38	35	25	41590	48334	3000	2000	6.22
32314	70	150	54	51	42	66768	85652	3200	2200	9.04
32015X	75	115	25	25	19	21874	33497	4000	3000	2.06
30215	75	130	27.25	25	22	30124	37318	3800	2800	3.13
32215	75	130	33.25	31	27	35295	46086	3600	2600	3.57
30315	75	160	40	37	31	55303	64970	3600	2600	7.50
31315	75	160	40	37	26	47884	56427	2800	1900	8.25
32315	75	160	58	55	45	78683	103412	3000	2000	11.00
32016X	80	125	29	29	22	29225	44512	3600	2600	2.87
30216	80	140	28.25	26	22	32597	39791	3400	2400	3.75
32216	80	140	35.25	33	28	40466	52156	3000	2000	4.41
30316	80	170	42.5	39	33	62272	73962	2800	1900	8.82
32316	80	170	61.5	58	48	86102	113079	2800	1900	13.00
32017X	85	130	29	29	32	30574	47884	3400	2400	3.04
30217	85	150	30.5	28	24	37543	46311	3200	2200	4.70
32217	85	150	38.5	36	30	47884	63621	3200	2200	5.51
30317	85	180	44.5	41	34	66993	79582	2800	1900	10.42
32317	85	180	63.5	60	49	89924	124769	2600	1800	15.20
32018X	90	140	32	32	24	35745	55303	3200	2200	3.97
33018	90	140	39	39	32.5	47000	75000	3000	2000	5.07
30218	90	160	32.5	30	26	42714	53505	3000	2200	5.82
32218	90	160	42.5	40	34	56427	76435	3000	2000	7.28
30318	90	190	46.5	43	36	73737	88575	2400	1700	12.10
32318	90	190	67.5	64	53	103637	137583	2400	1700	18.10
32019X	95	145	32	32	24	36644	57776	3200	2200	4.70
30219	95	170	34.5	32	27	47210	59350	2800	1900	6.97
32219	95	170	45.5	43	37	63171	87675	2800	1900	8.82
32319	95	200	71.5	67	55	112404	150622	2400	1700	24.30
32020X	100	150	32	32	24	38442	62272	3000	2000	4.34
30220	100	180	37	34	29	53505	68117	2800	1900	8.36
32220	100	180	49	46	39	71939	99815	2600	1800	10.50
30320	100	215	51.5	47	39	90823	110606	2400	1700	17.40
32320	100	215	77.5	73	60	129940	175351	2200	1600	30.90

Chart continues on next page

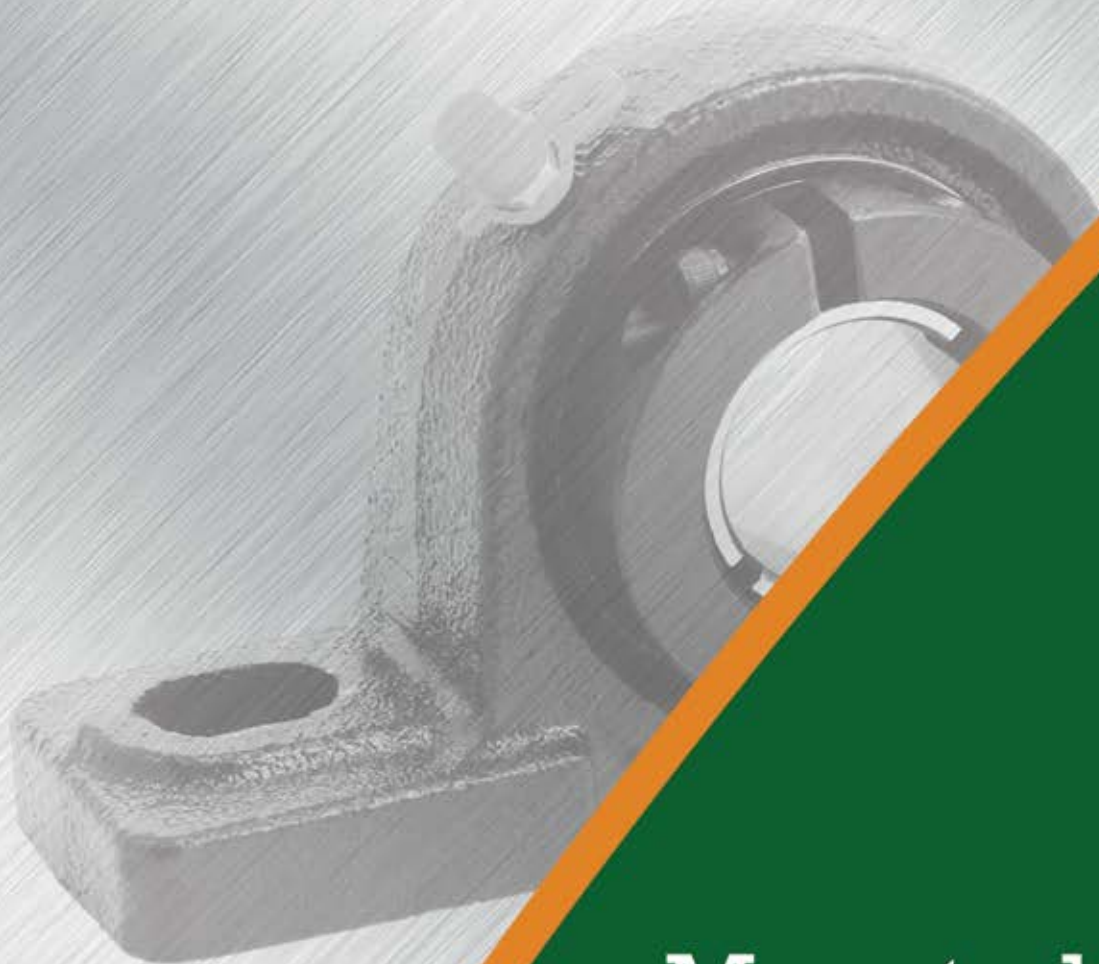
Metric Tapered Roller Bearings



Bearing Designation	Dimensions					Load Ratings (Lbs)		Limiting Speeds (r/min)		Weight (Lbs)
	Bore Diameter d	Outside Diameter D	Overall Width T	Inner Ring Width B	Outer Ring Width C	Dynamic Load C	Static Load Co	Oil	Grease	
32021X	105	160	35	354	26	45861	75086	2800	1900	5.45
33021	105	160	43	43	34	50000	80000	2700	1850	6.81
30221	105	190	39	36	30	60698	78683	2600	1800	9.97
32221	105	190	53	50	43	80482	114653	2600	1800	13.00
32321	105	225	81.5	77	63	91048	183219	2000	1500	36.40
32022X	110	170	38	38	29	52830	85877	2600	1800	6.86
30222	110	200	41	38	32	68342	89024	2400	1700	11.70
32222	110	200	56	53	46	91272	130389	2400	1700	15.20
30322	110	240	54.5	50	42	107683	132188	2200	1600	27.60
32322	110	240	84.5	80	65	157141	215592	1900	1400	36.80
32024X	120	180	38	38	29	53505	89249	2400	1700	7.36
30224	120	215	43.5	40	34	76435	103187	2200	1600	13.90
32224	120	215	61.5	58	50	100265	146800	2200	1600	18.90
32324	120	260	90.5	86	69	179622	248189	1800	1300	54.00
32026X	130	200	45	45	34	70815	118250	2200	1600	11.20
30226	130	230	43.75	40	34	82505	109032	2000	1500	15.80
32226	130	230	67.75	64	54	123870	187940	2000	1500	27.50
32028X	140	210	45	45	34	70140	118924	2200	1600	11.90
30228	140	250	45.75	42	36	89024	118474	1900	1400	19.70
32228	140	250	71.75	68	58	135335	203902	1900	1400	35.50
32030X	150	225	48	48	36	79807	139382	2000	1500	14.50
30230	150	270	49	45	38	102738	138932	1800	1300	24.50
32230	150	270	77	73	60	158490	242794	1700	1200	44.20
32032X	160	240	51	51	38	90373	156467	1800	1300	17.50
30232	160	290	52	48	40	116901	159614	1600	1100	29.80
32232	160	290	84	80	67	188840	314733	1600	1100	54.20
32034X	170	250	57	57	43	107908	194460	1900	1400	23.40
32234	170	310	91	86	71	199855	309562	1500	1000	67.20
32036X	180	280	64	64	48	134661	233127	1600	1100	31.30
32236	180	320	91	86	71	218964	353175	1400	950	72.10
32038X	190	290	64	64	48	136909	242119	1500	1000	32.60
32040X	200	310	70	70	53	160963	304841	1400	950	42.30
32044X	220	340	76	76	57	191088	345531	1300	900	54.50
32048X	240	360	76	76	57	200000	375000	1200	800	57.80
32052X	260	400	87	87	65	210000	400000	1100	700	85.10

TRITAN

PRECISION BEARINGS AND POWER TRANSMISSION COMPONENTS



Mounted Ball
Bearing Units

Applications

TRITAN offers a large assortment of mounted ball bearing units, in numerous configurations making them suitable for a wide variety of common and specialized applications.

Standard units feature cast iron housings and ball bearing inserts with sphered outer rings that self-align within the housing to compensate for misalignments. This makes the units highly versatile providing peak performance even in challenging applications. With many options available, units can be configured with various materials, mounting and shaft locking solutions & sealing and lubrication selections to provide optimal function and a long running life.

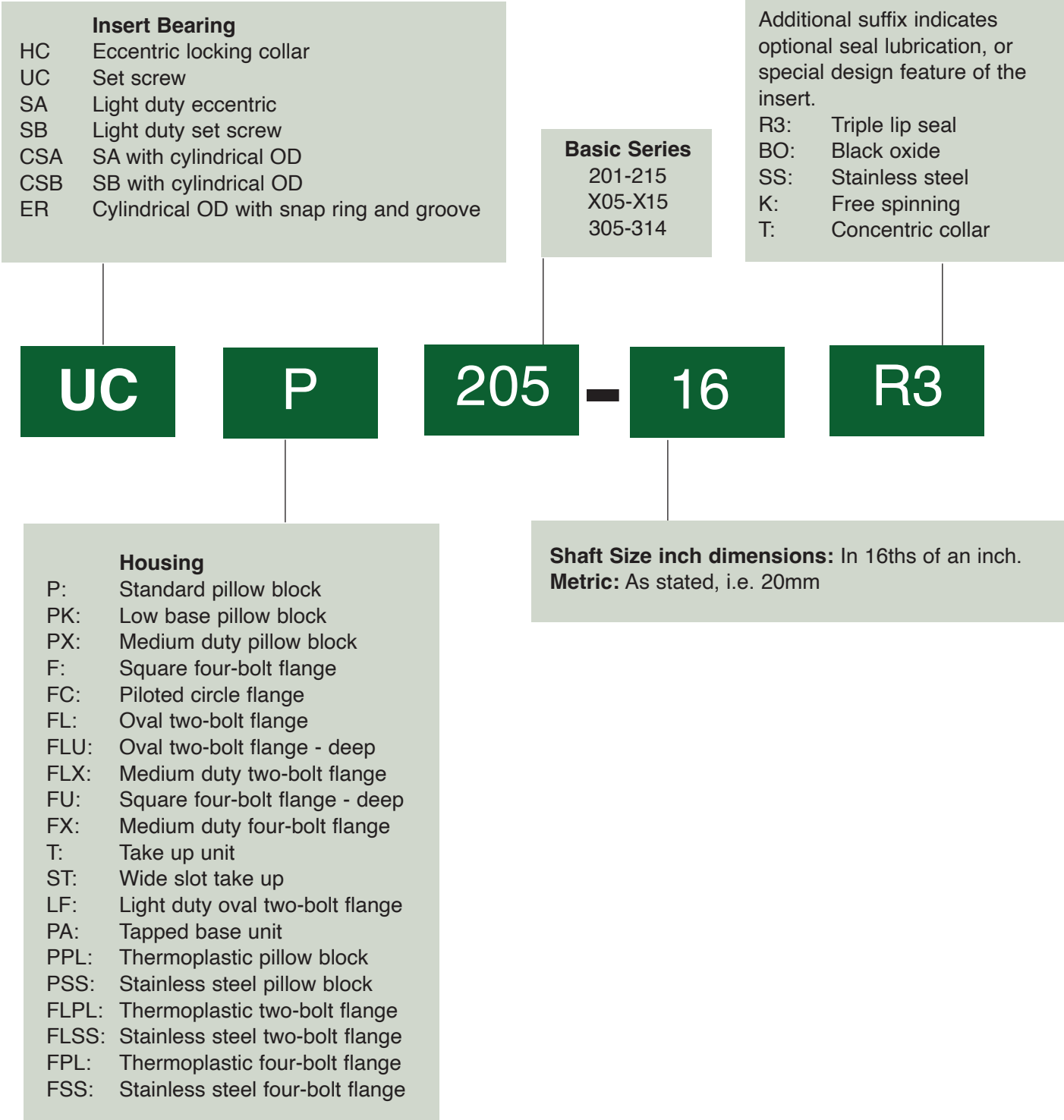
Ball Bearing Mounted Units units are commonly used in industrial and commercial applications including industrial machinery, conveyors, fans/blowers, agricultural equipment, construction machinery, exercise equipment, and food processing equipment, among many others.



Mounted Ball Bearing Units

Part Number Nomenclature

Each TRITAN Mounted Ball Bearing part number is a unique combination indicating the bearing's type, series, housing and shaft size.



Mounted Ball Bearing Units

Construction & Features of Ball Bearing Mounted Units

TRITAN's mounted bearing units are compact in design with sealing devices that ensure long-lasting performance. Standard bearing inserts have spherical ODs, enabling them to self-align in outer housings. Cylindrical OD inserts are also available. Standard housings are constructed of high-quality grey iron. All TRITAN ball bearing units have heavy-duty contact-type seals with a protective metal shroud or slinger on both sides. Long bearing life can be achieved by selecting the type of seal best for the application and operating condition. Standard units have dual seals. Triple lip seals are available as an option.

Housings

TRITAN ball bearing mounted units are most commonly constructed of high-quality grey cast iron, however to address the demands of a wide variety of applications, there are a few options.

- **Cast Iron:** One-piece cast-iron housings provide solid construction and maximum wear resistance.
- **Ductile Iron:** One piece ductile or malleable iron housings are made to the same exacting standards as cast-iron housings but provide higher tensile strength.
- **Stamped Steel:** TRITAN offers a wide variety of zinc plated stamped steel pillow block and flanges housings of various thicknesses for light load applications.
- **Nickel Plated Housings:** For applications in the food, chemical and where added corrosion protection is needed

- **Thermoplastic Housings:** TRITAN Thermoplastic polymer housings are made of FDA recognized material and incorporate solid bases and stainless-steel bolt inserts and grease fittings. When combined with stainless steel or black oxide insert bearings, they provide excellent resistance to corrosive elements and are especially suited for use in wash down applications.
- **Stainless Steel:** TRITAN stainless steel housings are made of series 304 stainless steel and incorporate series 300 stainless steel grease fittings. Solid mounting surfaces make them ideally suited for food and chemical applications.
- **Rubber Insulators:** Nitrile rubber insulators provide insulation and noise reduction properties. The conductive rubber interliners are available for use with most styles of stamped steel housings.

Shaft Size	Grease Fitting Thread
Up to 1-7/16 in	1/4 - 28 UNF
1 -1/2 in & over	1/8 - 27 NPT



Mounted Ball Bearing Units

Grease Fitting

- All units can be re-lubricated through the grease fitting provided. The outer housing grease hole mates up with the bearing insert groove, which channels grease into the bearing. Refer to appendix for grease fitting options and dimensions.

Grease

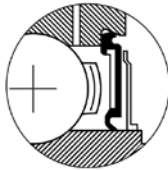
- Bearings are supplied 35-40% filled with lithium based NLGI #2 grease and should be relubricated with a compatible grease. Refer to appendix for suggested greasing intervals.

Temperature Limits

Units are designed to operate at full rating at temperatures of -40°F to 250°F . Special lubricants should be considered for temperatures beyond this range. Refer to appendix for grease properties and other available greases.

Seals

- Dual Seals (B-Type) are standard on wide inner ring bearings. A synthetic rubber oil seal is fixed to the outer ring diameter groove and seals against the inner ring, while a steel slinger is fixed to the inner ring and rotates with the shaft. The simultaneous revolution with the inner creates a positive pressure, that together with the labyrinth design provides excellent protection from dust and contamination in most conditions.
- Dual Seals (K-Type) are standard on narrow inner ring bearings. Synthetic rubber is baked on to a plate steel shroud, that is fixed to the outer ring. The rubber provides tight positive contact with the inner ring keeping contaminants out of the bearings, while the steel shroud protects rubber seal; providing excellent service life in semi-harsh conditions.
- Triple Lip Seals are available to protect against contamination in severe environments. They consist of a synthetic rubber seal protected with a steel shield fixed in the outer ring with three separate sealing lips wiping the inner ring OD. They are specified by adding the suffix "R3" to the model number.



Self Alignment

The outer rings of insert bearings are spherically ground to correspond with a matching spherical bearing seat on housings. This spherical combination provides self-alignment features, which compensate for alignment errors, uneven mounting surfaces and shaft flexing.

Misalignment of $\pm 2^{\circ}$ for bearings size 211 and smaller, and $\pm 1.5^{\circ}$ for larger sizes for re-lube units is possible. Misalignment greater than this will prevent the lubrication holes in the outer ring of the bearing from lining up with the groove in the housing bore, and the bearings will not be re-lubricated. For non-re-lube units, misalignment of up to 5 degrees is allowable.

Anti-Rotation Device

The use of an anti-rotation pin in the outer ring prevents the bearing outer ring from turning in the housing. Located in the housing loading slot, this feature does not interfere with the self-aligning capability of the assembly. The anti-rotation pin is standard on wide inner ring bearings and an available option on flush back inner ring bearings.

Packaging

Mounted units and inserts are sealed in plastic bags and packed in sturdy individual boxes. Units and inserts may also be available in bulk packaging.

Table of Contents

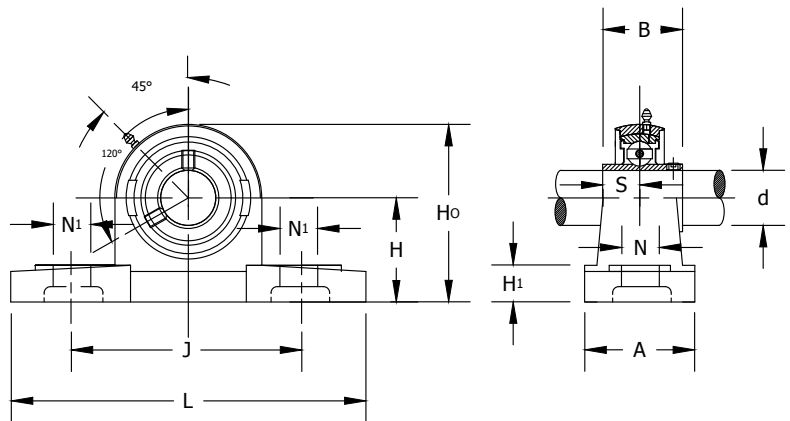
Type	Series	Description	Page
Pillow Blocks	UCP	Standard Duty / Wide Inner Ring / Set Screw	126
	UCPX	Medium Duty / Wide Inner Ring / Set Screw	128
	UCPK	Low Base / Wide Inner Ring / Set Screw	129
	UCP..T	Standard Duty / Wide Inner Ring / Concentric Lock	130
	UCPA	Tapped Base / Wide Inner Ring / Set Screw	131
	HCP	Standard Duty / Wide Inner Ring / Eccentric Lock	132
	HCPK	Low Base / Wide Inner Ring / Eccentric Lock	134
	SBP..G	Light Duty / Narrow Inner ring / Set Screw	135
	SAP..G	Light Duty / Narrow Inner ring / Eccentric Lock	136
	SBPP	Pressed Steel / Narrow Inner ring / Set Screw	137
	SAPP	Pressed Steel / Narrow Inner ring / Eccentric Lock	137
4 Bolt Flanges	UCF	Standard Duty / Wide Inner Ring / Set Screw	138
	UCFX	Medium Duty / Wide Inner Ring / Set Screw	140
	UCF..T	Standard Duty / Wide Inner Ring / Concentric Lock	141
	HCFU	Standard Duty / Wide Inner Ring / Eccentric Lock	142
	SBF..G	Light Duty / Narrow Inner ring / Set Screw	144
	SAF..G	Light Duty / Narrow Inner ring / Eccentric Lock	145
	UCFC	Standard Duty / Wide Inner Ring / Set Screw	146
	UCFCSX	Medium Duty / Wide Inner Ring / Set Screw	147
3 Bolt Flanges	UCFB	Standard Duty / Wide Inner Ring / Set Screw	148
	SBPF	Light Duty / Narrow Inner ring / Set Screw	149
	SAPF	Light Duty / Narrow Inner ring / Eccentric Lock	150
	SBPFT	Pressed Steel / Narrow Inner ring / Set Screw	151
	SAPFT	Pressed Steel / Narrow Inner ring / Eccentric Lock	151
2 Bolt Flanges	UCFL	Standard Duty / Wide Inner Ring / Set Screw	152
	UCFLX	Medium Duty / Wide Inner Ring / Set Screw	154
	UCFL..T	Standard Duty / Wide Inner Ring / Concentric Lock	155
	HCFLU	Standard Duty / Wide Inner Ring / Eccentric Lock	156
	SBFL..G	Light Duty / Narrow Inner ring / Set Screw	157
	SAFL..G	Light Duty / Narrow Inner ring / Eccentric Lock	158
	SBLF	Light Duty / Narrow Inner ring / Set Screw	159
	SALF	Light Duty / Narrow Inner ring / Eccentric Lock	160
	SBPFL	Pressed Steel / Narrow Inner ring / Set Screw	161
	SAPFL	Pressed Steel / Narrow Inner ring / Eccentric Lock	162
Take Ups	UCST	Standard Duty/Wide Slot / Wide Inner Ring / Set Screw	163
	UCT	Standard Duty / Wide Inner Ring / Set Screw	164

Mounted Ball Bearing Units

Type	Series	Description	Page
Bearing Inserts	UC	Standard Duty / Wide Inner Ring / Set Screw	166
	UCX	Medium Duty / Wide Inner Ring / Set Screw	168
	UC..T	Standard Duty / Wide Inner Ring / Concentric Lock	169
	HC	Standard Duty / Wide Inner Ring / Eccentric Lock	170
	SB/ SB..G	Light Duty / Narrow Inner ring / Set Screw	172
	SA / SA..G	Light Duty / Narrow Inner ring / Eccentric Lock	173
	CSB	Light Duty / Narrow Inner ring / Set Screw	174
	CSA	Light Duty / Narrow Inner ring / Eccentric Lock	175
	ER	Standard Duty / Wide Inner Ring / Set Screw	176
Wash Down All SS	UCPSS	Standard Duty Pillow Block / Wide Inner Ring / Set Screw	177
	UCPASS	Standard Duty Tapped Base Pillow Block / Set Screw	178
	UCFSS	Standard Duty 4 Bolt Flange / Wide Inner Ring / Set Screw	179
	UCFLSS	Standard Duty 2 Bolt Flange / Wide Inner Ring / Set Screw	180
	UCFBSS	Standard Duty 3 Bolt Flange / Wide Inner Ring / Set Screw	181
	SBLFSS..G	Light Duty Oval 2 Bolt Flange / Narrow Inner ring / Set Screw	182
Wash Down Thermo Plastic SS Inserts	UCPPL	Standard Duty Pillow Block / Wide Inner Ring / Set Screw	183
	UCPAPL	Standard Duty Tapped Base Pillow Block / Set Screw	184
	UCFPL	Standard Duty 4 Bolt Flange / Wide Inner Ring / Set Screw	185
	UCFLPL	Standard Duty 2 Bolt Flange / Wide Inner Ring / Set Screw	186
	UCFBPL	Standard Duty 3 Bolt Flange / Wide Inner Ring / Set Screw	187
	SBLFPL	Light Duty Oval 2 Bolt Flange / Narrow Inner ring / Set Screw	188
Corrosion Resistant Inserts	SSUC	Stainless Steel Standard Duty / Wide Inner Ring / Set Screw	189
	SSHC	Stainless Steel Standard Duty / Eccentric Lock	190
	SSER	Stainless Steel Standard Duty / Wide Inner Ring / Set Screw	191
	SSSB	Stainless Steel Light Duty / Narrow Inner ring / Set Screw	192

Pillow Blocks

UCP Standard Duty Set Screw Locking Type



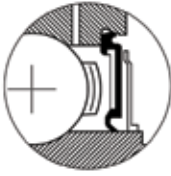
- Cast iron housing - solid base
- Wide inner ring bearing
- Dual seals (Type B)

Unit No.	Shaft Dia.	Dimensions in mm										Bolt Size	Insert No.	Housing No.	Weight (lb)
		d	H	L	J	A	N	N1	H1	H0	B				
UCP202-10S	5/8	1-3/16 30.16	4-15/16 125.4	3-3/4 95	1-1/4 32	15/32 12	5/8 16	1/2 13	2-1/4 57	1.080 27.4	0.438 11.1	3/8 M10	UC202-10S	P203S	2.91
UCP201-12MM	12mm												UC201-12MM	P203	1.52
UCP201-8	1/2												UC201-8		1.52
UCP202-15MM	15mm	1-3/16 30.16	5 127	3-3/4 95	1-1/2 38	1/2 13	3/4 19	9/16 14	2-7/16 62	1.220 31	0.500 12.7	3/8 M10	UC202-15MM		1.52
UCP202-10	5/8												UC202-10		1.52
UCP203-17MM	17mm												UC203-17MM		1.50
UCP203-11	11/16												UC203-11		1.48
UCP204-20MM	20mm	1-5/16 33.34	5 127	3-3/4 95	1-1/2 38	1/2 13	3/4 19	9/16 14	2-9/16 65	1.220 32	0.500 12.7	3/8 M10	UC204-20MM	P204	1.46
UCP204-12	3/4												UC204-12	1.46	
UCP205-25MM	25mm												UC205-25MM	P205	1.79
UCP205-13	13/16												UC205-13		1.87
UCP205-14	7/8	1-7/16 36.51	5-1/2 140	4-1/8 105	1-1/2 38	1/2 13	3/4 19	19/32 15	2-25/32 71	1.343 34.1	0.563 14.3	3/8 M10	UC205-14		1.83
UCP205-15	15/16												UC205-15		1.81
UCP205-16	1												UC205-16		1.79
UCP206-30MM	30mm												UC206-30MM	P206	2.73
UCP206-17	1-1/16												UC206-17		2.79
UCP206-18	1-1/8	1-11/16 42.86	6-19/64 160	4-3/4 121	1-47/64 44	43/64 17	25/32 20	21/32 17	3-5/16 84	1.500 38.1	0.626 15.9	1/2 M14	UC206-18		2.78
UCP206-19	1-3/16												UC206-19		2.73
UCP206-20	1-1/4												UC206-20		2.71
UCP207-35MM	35mm												UC207-35MM	P207	3.48
UCP207-20	1-1/4												UC207-20		3.62
UCP207-21	1-5/16	1-7/8 47.62	6-9/16 167	5 127	1-7/8 48	43/64 17	25/32 20	45/64 18	3-21/32 93	1.689 42.9	0.689 17.5	1/2 M14	UC207-21		3.55
UCP207-22	1-3/8												UC207-22		3.48
UCP207-23	1-7/16												UC207-23		3.42
UCP208-40MM	40mm												UC208-40MM	P208	4.17
UCP208-24	1-1/2	1-15/16 49.21	7-1/4 184	5-13/32 137	2-1/8 54	43/64 17	25/32 20	45/64 18	3-15/16 100	1.689 42.9	0.748 19	1/2 M14	UC208-24		4.25
UCP208-25	1-9/16												UC208-25		4.19
UCP209-45MM	45mm												UC209-45MM	P209	4.72
UCP209-26	1-5/8	2-1/8 53.975	7-15/32 190	5-3/4 146	2-1/8 54	43/64 17	25/32 20	25/32 20	4-11/64 106	1.937 49.2	0.748 19	1/2 M14	UC209-26		4.94
UCP209-27	1-11/16												UC209-27		4.85
UCP209-28	1-3/4												UC209-28		4.72

Chart continues on next page

Mounted Ball Bearing Units

Pillow Blocks UCP Standard Duty Set Screw Locking Ttype



DUAL SEAL (B-Type)



TRIPLE LIP SEAL (R3-Type)

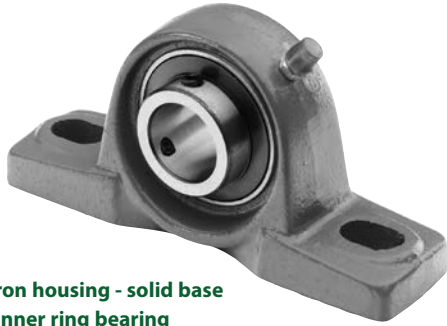


Unit No.	Shaft Dia.	Dimensions <small>in mm</small>										Bolt Size	Insert No.	Housing No.	Weight (lb)	
	d	H	L	J	A	N	N1	H1	H0	B	S					
UCP210-50MM	50mm												5/8 M16	UC210-50MM	P210	5.86
UCP210-29	1-13/16											UC210-29		6.13		
UCP210-30	1-7/8	2-1/4 57.15	8-1/8 206	6-1/4 159	2-3/8 60	25/32 20	29/32 23	53/64 21	4-29/64 113	2.032 51.6	0.748 19	UC210-30		6.02		
UCP210-31	1-15/16											UC210-31		5.91		
UCP210-32	2											UC210-32		5.81		
UCP211-55MM	55mm											5/8 M16	UC211-55MM	P211	7.30	
UCP211-32	2	2-1/2 63.5	8-5/8 219	6-47/64 171	2-3/8 60	25/32 20	29/32 23	29/32 23	4-59/64 125	2.189 55.6	0.874 22.2		UC211-32		7.63	
UCP211-34	2-1/8												UC211-34		7.39	
UCP211-35	2-3/16												UC211-35		7.25	
UCP212-60MM	60mm											5/8 M16	UC212-60MM	P212	10.80	
UCP212-36	2-1/4	2-3/4 69.85	9-1/2 241	7-1/4 184	2-3/4 70	25/32 20	29/32 23	63/64 25	5-7/16 138	2.563 65.1	1.000 25.4		UC212-36		11.09	
UCP212-38	2-3/8												UC212-38		10.76	
UCP212-39	2-7/16												UC212-39		10.60	
UCP213-65MM	65mm	3	10-7/16 265	8 203	2-3/4 70	63/64 25	1-3/32 28	1-1/16 27	5-29/32 150	2.563 65.1	1.000 25.4	3/4 M20	UC213-65MM	P213	11.35	
UCP213-40	2-1/2												UC213-40		11.55	
UCP214-70MM	70mm											3/4	UC214-70MM	P214	13.67	
UCP214-43	2-5/8	3-1/8	10-15/32	8-17/64	2-27/32	63/64	1-3/32	1-1/16	6-9/64	2.937	1.189		UC214-43		13.88	
UCP214-44	2-3/4												UC214-44		13.69	
UCP215-75MM	75mm											3/4 M20	UC215-75MM	P215	15.79	
UCP215-47	2-15/16	3-1/4 82.55	10-53/64 275	8-35/64 217	2-29/32 74	63/64 25	1-3/32 28	1-3/32 28	6-3/8 162	3.063 77.8	1.311 33.3		UC215-47		15.82	
UCP215-48	3												UC215-48		15.59	
UCP216-80MM	80mm	3-1/2	11-1/2	9-1/8	3-1/16	63/64	1-3/32	1-3/16	6-27/32	3.252	1.311	3/4	UC216-80MM	P216	17.86	
UCP217-85MM	85mm											3/4 M20	UC217-85MM	P217	21.63	
UCP217-52	3-1/4	12-13/64 310	9-23/32 247	3-17/64 83	63/64 25	1-3/32 28	1-1/4 32	7-9/32 185	3.374 85.7	1.343 34.1	UC217-52		22.11			
UCP217-55	3-7/16												UC217-55		21.12	
UCP218-90MM	90mm	4	12-7/8 327	10-5/16 262	3-15/32 88	1-1/16 27	1-3/16 30	1-19/64 33	7-51/64 198	3.780 96	1.563 39.7	7/8 M22	UC218-90MM	P218	26.37	
UCP218-56	3-1/2												UC218-56		26.61	

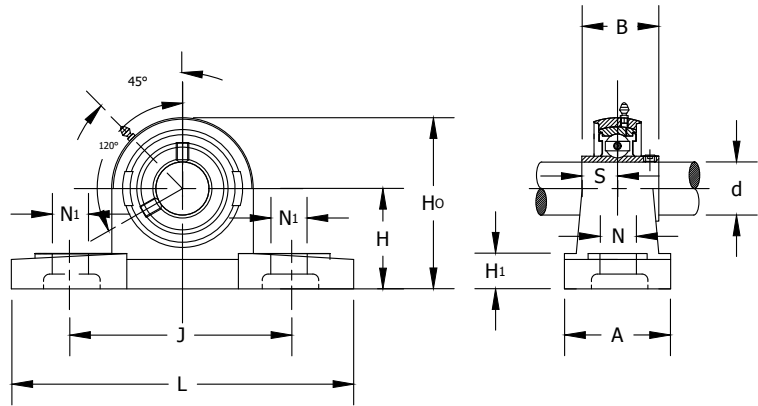
Triple seal optional (R3 suffix, i.e. UCP-205-16R3)

Pillow Blocks

UCPX Medium Duty Set Screw Locking Type



- Cast iron housing - solid base
- Wide inner ring bearing
- Dual seals (Type B)

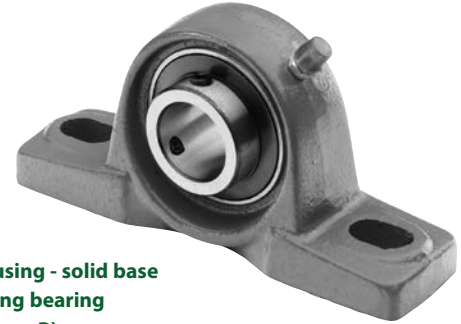
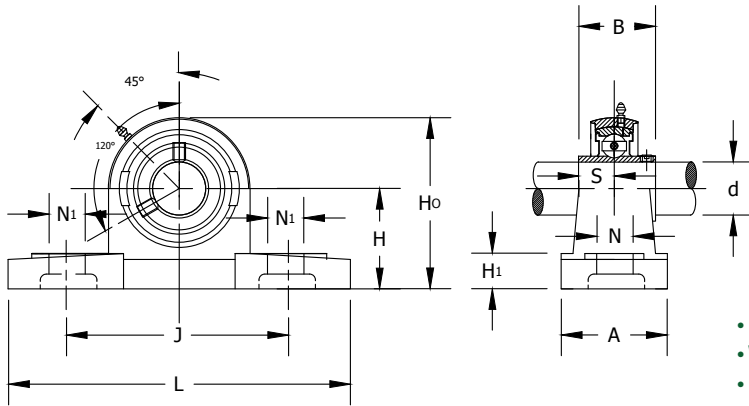


Unit No.	Shaft Dia.		Dimensions in mm									Bolt Size	Insert No.	Housing No.	Weight (lb)	
	d	H	L	J	A	N	N1	H1	H0	S	B					
UCPX05-25MM	25mm													UCX05-25MM UCX05-14 UCX05-15 UCX05-16	PX05	3.31
UCPX05-14	7/8	1-3/4	6-1/4	4-11/16	2	43/64	25/32	23/32	3-11/32	1.50	0.63	1/2 M14	3.31			
UCPX05-15	15/16	44.45	159	119	51	17	20	18	85	38.1	15.9		3.31			
UCPX05-16	1												3.31			
UCPX06-30MM	30mm													UCX06-30MM UCX06-18 UCX06-19 UCX06-20	PX06	4.41
UCPX06-18	1-1/8	1-7/8	6-7/8	5	2-1/4	43/64	25/32	25/32	3-21/32	1.69	0.69	1/2 M14	4.41			
UCPX06-19	1-3/16	47.625	175	127	57	17	20	20	93	42.9	17.5		4.41			
UCPX06-20	1-1/4												4.41			
UCPX07-35MM	35mm													UCX07-35MM UCX07-20 UCX07-21 UCX07-22 UCX07-23	PX07	5.73
UCPX07-20	1-1/4											1/2 M14	5.74			
UCPX07-21	1-5/16	2-1/8	8	5-21/32	2-1/4	43/64	25/32	13/16	4-1/8	1.94	0.75		5.75			
UCPX07-22	1-3/8	53.98	203	144	57	17	20	21	105	49.2	19		5.76			
UCPX07-23	1-7/16												5.77			
UCPX08-40MM	40mm													UCX08 UCX08-24	PX08	7.28
UCPX08-24	1-1/2	58.74	222	156	67	20	23	26	111	49.2	19	7.28				
UCPX09-45MM	45mm												UCX09-45MM UCX09-26 UCX09-27 UCX09-28	PX09	7.28	
UCPX09-26	1-5/8	2-5/16	8-3/4	6-5/32	2-5/8	25/32	29/32	1-1/32	4-9/16	2.0315	0.7480	5/8 M16			7.28	
UCPX09-27	1-11/16	58.74	222	156	67	20	23	26	116	51.6	19				7.28	
UCPX09-28	1-3/4														7.28	
UCPX10-50MM	50mm													UCX10-50MM UCX10-30 UCX10-31 UCX10-32	PX10	9.48
UCPX10-30	1-7/8	2-1/2	9-1/2	6-47/64	2-7/8	25/32	29/32	1-1/16	4-31/32	2.19	0.87	5/8 M16	9.48			
UCPX10-31	1-15/16	63.5	241	171	73	20	23	27	126	55.6	22.2		9.48			
UCPX10-32	2												9.48			
UCPX11-55MM	55mm													UCX11-55MM UCX11-34 UCX11-35 UCX11-36	PX11	12.57
UCPX11-34	2-1/8	2-3/4	10-1/4	7-1/4	3-1/8	31/32	1-3/32	1-3/16	5-13/32	2.56	1.00	3/4 M20	12.57			
UCPX11-35	2-3/16	69.85	260	184	79	25	28	30	137	65.1	25.4		12.57			
UCPX11-36	2-1/4												12.57			
UCPX12-60MM	60mm													UCX12-60MM UCX12-38 UCX12-39	PX12	16.09
UCPX12-38	2-3/8	3	11-1/4	8	3-9/32	31/32	1-3/32	1-5/16	5-15/16	2.56	1.00	3/4 M20	16.09			
UCPX12-39	2-7/16	76.2	286	203	83	25	28	33	151	65.1	25.4		16.09			
UCPX13-65MM	65mm													UCX13-65MM UCX13-40	PX13	16.76
UCPX13-40	2-1/2	3	11-1/4	8	3-9/32	63/64	1-3/32	1-5/16	6-1/16	2.94	1.19	3/4 M20	16.76			
UCPX14-70MM	70mm													UCX14-70MM UCX14-43 UCX14-44	PX14	21.83
UCPX14-43	2-11/16	3-1/2	13	9-1/32	3-1/2	1-1/16	1-3/16	1-3/8	6-11/16	3.06	1.31	7/8 M22	21.83			
UCPX14-44	2-3/4	88.9	330	229	89	27	30	35	170	77.8	33.3		21.83			
UCPX15-75MM	75mm													UCX15-75MM UCX15-47 UCX15-48	PX15	24.25
UCPX15-47	2-15/16	3-1/2	13	9-1/32	3-1/2	1-1/16	1-3/16	1-3/8	6-7/8	3.25	1.31	7/8 M22	24.25			
UCPX15-48	3	88.9	330	229	89	27	30	35	175	82.6	33.3		24.25			

Mounted Ball Bearing Units

Pillow Blocks

UCPK Standard Duty Set Screw Type, Low Center Height



- Cast iron housing - solid base
- Wide inner ring bearing
- Dual seals (Type B)

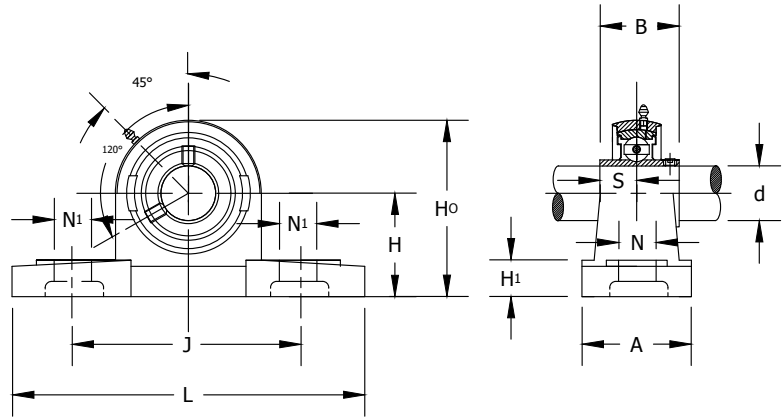
Unit No.	Shaft Dia.	Dimensions in mm										Bolt Size	Insert No.	Housing No.	Weight (lb)											
	d	H	L	J	A	N	N1	H1	H0	S	B															
UCPK204-20MM	20mm	1-1/4	5	3-3/4	1-1/2	7/16	9/16	9/16	2-31/64	1.22	0.50	3/8	UC204-20MM	PK204	1.54											
UCPK204-12	3/4	31.75	127	98	38	11	14	14	63	31	12.7	M10	UC204-12		1.54											
UCPK205-25MM	25mm	1-5/16	5-33/64	4-9/64	1-1/2	7/16	9/16	19/32	2-43/64	1.34	0.56	3/8	UC205-25MM	PK205	1.92											
UCPK205-14	7/8												33.33		140	105	38	11	14	15	68	34.1	14.3	M10	UC205-14	1.96
UCPK205-15	15/16												UC205-15		1.94											
UCPK205-16	1												UC205-16		1.92											
UCPK206-30MM	30mm	1-9/16	6-19/64	4-49/64	1-47/64	9/16	3/4	43/64	3-5/32	1.50	0.63	7/16	UC206-30MM	PK206	2.82											
UCPK206-18	1-1/8												39.68		160	121	44	14	19	17	80	38.1	15.9	M12	UC206-18	2.87
UCPK206-19	1-3/16												UC206-19		2.82											
UCPK206-20	1-1/4												UC206-20		2.80											
UCPK207-35MM	35mm	1-13/16	6-37/64	5	1-57/64	9/16	3/4	45/64	3-37/64	1.69	0.69	7/16	UC207-35MM	PK207	3.79											
UCPK207-20	1-1/4												46.04		167	127	48	14	19	18	91	42.9	17.5	M12	UC207-20	3.92
UCPK207-21	1-5/16												UC207-21		3.86											
UCPK207-22	1-3/8												UC207-22		3.79											
UCPK207-23	1-7/16												UC207-23		3.73											
UCPK208-40MM	40mm	1-15/16	7-1/8	5-33/64	2-3/64	9/16	3/4	45/64	3-15/16	1.94	0.75	7/16	UC208-40MM	PK208	4.50											
UCPK208-24	1-1/2												49.21		181	140	52	14	19	18	100	49.2	19	M12	UC208-24	4.59
UCPK208-25	1-9/16												UC208-25		4.52											
UCPK209-45MM	45mm	2-1/16	7-7/16	5-3/4	2-1/8	9/16	3/4	25/32	4-3/32	1.94	0.75	7/16	UC209-45MM	PK209	5.14											
UCPK209-26	1-5/8												52.39		189	146	54	14	19	20	104	49.2	19	M12	UC209-26	5.36
UCPK209-27	1-11/16												UC209-27		5.27											
UCPK209-28	1-3/4												UC209-28		5.14											
UCPK210-50MM	50mm	2-3/16	8	6-17/64	2-1/4	9/16	3/4	53/64	4-13/32	2.03	0.75	7/16	UC210-50MM	PK210	6.33											
UCPK210-30	1-7/8												55.56		203	159	57	14	19	21	112	51.6	19	M12	UC210-30	6.48
UCPK210-31	1-15/16												UC210-31		6.37											
UCPK210-32	2												UC210-32		6.28											
UCPK211-55MM	55mm	2-1/4	9-9/64	7-1/8	2-23/64	45/64	15/16	29/32	4-7/8	2.19	0.87	1/2	UC211-55MM	PK211	8.14											
UCPK211-32	2												57.15		232	181	60	18	24	23	124	55.6	22.2	M14	UC211-32	8.47
UCPK211-34	2-1/8												UC211-34		8.22											
UCPK211-35	2-3/16												UC211-35		8.09											
UCPK212-60MM	60mm	2-11/16	9-31/64	7-33/64	2-33/64	45/64	15/16	63/64	5-23/64	2.56	1.00	1/2	UC212-60MM	PK212	11.40											
UCPK212-36	2-1/4												68.26		241	191	64	18	24	25	136	65.1	25.4	M14	UC212-36	11.46
UCPK212-38	2-3/8												UC212-38		11.35											
UCPK212-39	2-7/16												UC212-39		11.18											

Pillow Blocks

UCP..T Standard Duty Premere-LOC (Concentric Collar Locking)

Premere-LOC mounted units provide quieter, smoother and more efficient operation, especially under higher radial loads. The concentric locking collar provides a uniform grip to the inner ring leading to an operational true centerline, reducing vibration at higher speeds. As well, the concentric locking force significantly reduces the chance of damaging the shaft.

These one-step easy installation units are ideal for bi-directional applications and can replace both set screw locking and eccentric collar locking bearings.



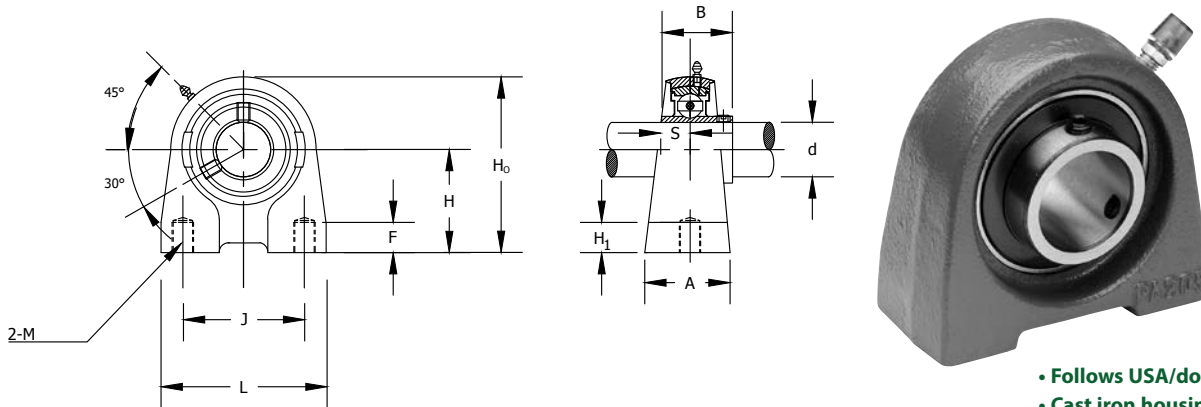
- Cast iron housing - solid base
- Wide inner ring bearing
- Dual seals (Type B)

Unit No.	Shaft Dia.	Dimensions in mm										Bolt Size	Insert No.	Housing No.	Weight (lb)
	d	H	L	J	A	N	N1	H1	H0	B	S				
UCP204-20MMT	20mm	1-5/16	5	3-3/4	1-1/2	1/2	3/4	9/16	2-9/16	1.315	0.500	3/8	UC204-20MMT	P204	1.46
UCP204-12T	3/4	33.34	127	95	38	13	19	14	65	33.4	12.7	M10			UC204-12T
UCP205-25MMT	25mm	1-7/16	5-1/2	4-1/8	1-1/2	1/2	3/4	19/32	2-25/32	1.437	0.563	3/8	UC205-25MMT	P205	1.79
UCP205-14T	7/8	36.51	140	105	38	13	19	15	71	36.5	14.3	M10			UC205-14T
UCP205-16T	1												UC205-16T		1.79
UCP206-30MMT	30mm	1-11/16	6-19/64	4-3/4	1-47/64	43/64	25/32	21/32	3-5/16	1.630	0.626	1/2	UC206-30MMT	P206	2.73
UCP206-19T	1-3/16	42.86	160	121	44	17	20	17	84	39.7	15.9	M14			UC206-19T
UCP206-20T	1-1/4												UC206-20T		2.71
UCP207-35MMT	35mm	1-7/8	6-9/16	5	1-7/8	43/64	25/32	45/64	3-21/32	1.752	0.689	1/2	UC207-35MMT	P207	3.48
UCP207-20T	1-1/4	47.62	167	127	48	17	20	18	93	44.5	17.5	M14			UC207-20T
UCP207-23T	1-7/16												UC207-23T		3.42
UCP208-40MMT	40mm	1-15/16	7-1/4	5-13/32	2-1/8	43/64	25/32	45/64	3-15/16	2.000	0.748	1/2	UC208-40MMT	P208	4.17
UCP208-24T	1-1/2	49.21	184	137	54	17	20	18	100	50.8	19	M14			UC208-24T
UCP209-45MMT	45mm	2-1/8	7-15/32	5-3/4	2-1/8	43/64	25/32	25/32	4-11/64	2.000	0.748	1/2	UC209-45MMT	P209	4.72
UCP209-27T	1-11/16	53.975	190	146	54	17	20	20	106	50.8	19	M14			UC209-27T
UCP209-28T	1-3/4												UC209-28T		4.72
UCP210-50MMT	50mm	2-1/4	8-1/8	6-1/4	2-3/8	25/32	29/32	53/64	4-29/64	2.090	0.748	5/8	UC210-MMT	P210	5.86
UCP210-31T	1-15/16	57.15	206	159	60	20	23	21	113	53.1	19	M16			UC210-31T
UCP210-32T	2												UC210-32T		5.81

Mounted Ball Bearing Units

Pillow Blocks

UCPA A Tapped Base Set Screw Locking Type

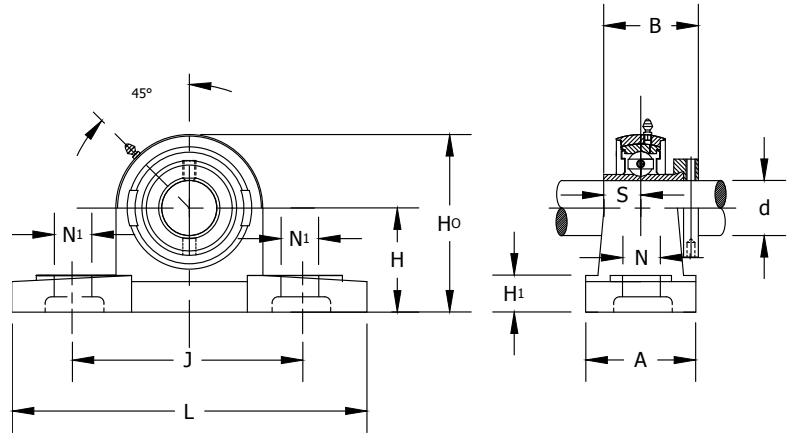


- Follows USA/domestic dimensions
- Cast iron housing - solid base
- Wide inner ring bearing

Unit No.	Shaft Dia.	Dimensions <small>in mm</small>										Insert No.	Housing No.	Weight (lb)	
	d	H	L	J	A	M	H0	H1	S	B	F				
UCPA201A-12MMA	12mm												UC201-12MM	PA204A	1.39
UCPA201-8A	1/2												UC201-8		1.39
UCPA202A-15MMA	15mm												UC202-15MM		1.39
UCPA202-10A	5/8	1-5/16 36.3	2-9/16 65	2 50.8	1-1/2 32	3/8-16UNC M10x1	2-17/32 64	37/64 14.5	1/2 12.7	1.2205 31	0.5906 15		UC202-10		1.39
UCPA203A-17MMA	17mm												UC203-17MM		1.39
UCPA204A-20MMA	20mm												UC204-20MM		1.01
UCPA204-12A	3/4												UC204-12		1.01
UCPA205A-25MMA	25mm												UC205-25MM	PA205A	1.48
UCPA205-14A	7/8	1-7/16 36.5	2-3/4 70	2 50.8	1-27/64 36	3/8-16UNC M10x1	2-3/4 70	1/2 13	9/16 14.3	1.3425 34.1	0.5906 15		UC205-14		1.54
UCPA205-15A	15/16												UC205-15		1.50
UCPA205-16A	1												UC205-16		1.48
UCPA206A-30MMA	30mm												UC206-30MM	PA206A	2.47
UCPA206-17A	1-1/16												UC206-17		2.54
UCPA206-18A	1-1/8	1-11/16 42.9	3-55/64 98	3 76.2	1-37/64 40	7/16- 14UNC M10x1.5	3-7/32 82	5/8 16	5/8 15.9	1.5000 38.1	0.7087 18		UC206-18		2.51
UCPA206-19A	1-3/16												UC206-19		2.47
UCPA206-20A	1-1/4												UC206-20		2.45
UCPA207A-35MMA	35mm												UC207-35MM	PA207A	3.04
UCPA207-20A	1-1/4												UC207-20		3.17
UCPA207-21A	1-5/16	1-7/8 47.6	4-1/16 103	3-1/4 82.6	1 -49/64 45	1/2-13UNC M14x2	3-21/32 93	3/4 19	11/16 17.5	1.6890 42.9	0.7874 20		UC207-21		3.11
UCPA207-22A	1-3/8												UC207-22		3.04
UCPA207-23A	1-7/16												UC207-23		2.98
UCPA208A-40MMA	40mm												UC208-40MM	PA208A	4.10
UCPA208-24A	1-1/2	1-15/16 49.2	4-9/16 116	3-1/2 88.9	1-57/64 48	1/2-13UNC M14x2	3-29/32 99	3/4 19	3/4 19	1.9370 49.2	0.7874 20		UC208-24		4.19
UCPA208-25A	1-9/16												UC208-25		4.12
UCPA209A-45MMA	45mm												UC209-45MM	PA209A	4.23
UCPA209-26A	1-5/8	2-1/8 54	4-23/32 120	3-3/4 95.3	1-57/64 48	1/2-13UNC M14x2	4-7/32 107	3/4 19	3/4 19	1.9370 49.2	0.9843 25		UC209-26		4.45
UCPA209-27A	1-11/16												UC209-27		4.37
UCPA209-28A	1-3/4												UC209-28		4.28
UCPA210A-50MMA	50mm												UC210-50MM	PA210A	4.94
UCPA210-30A	1-7/8	2-1/4 57.2	5-5/16 135	4 101.6	2-1/8 54	5/8-11UNC M16x2	4-17/32 115	7/8 22	3/4 19	2.0315 51.6	0.9843 25		UC2 10-30		5.09
UCPA210-31A	1-15/16												UC210-31		4.98
UCPA210-32A	2												UC210-32		4.89

Pillow Blocks

HCP Standard Duty Eccentric Locking Collar Type



- Cast iron housing - solid base
- Wide inner ring bearing
- Dual seals (Type B)

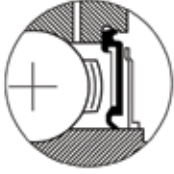
Unit No.	Shaft Dia.	Dimensions in mm										Bolt Size	Insert No.	Housing No.	Weight (lb)										
		d	H	L	J	A	N	N1	H1	H0	B					S									
HCP204-20MM	20mm	1-5/16	5	3-3/4	1-1/2	1/2	3/4	9/16	2-9/16	1.721	0.6732	3/8 M10	HC204-20MM	P204	1.61										
HCP204-12	3/4	33.36	127	95	38	13	19	14	65	43.7	17.1		HC204-12		1.61										
HCP205-25MM	25mm	1-7/16	5-1/2	4-1/8	1-1/2	1/2	3/4	19/32	2-25/32	1.748	0.6890	3/8 M10	HC205-25MM	P205	1.94										
HCP205-14	7/8												36.51		140	105	38	13	19	15	71	44.4	17.5	HC205-14	2.03
HCP205-15	15/16												HC205-15		1.98										
HCP205-16	1												HC205-16		1.94										
HCP206-30MM	30mm	1-11/16	6-19/64	4-3/4	1-3/4	43/64	25/32	21/32	3-5/16	1.906	0.7205	1/2 M14	HC206-30MM	P206	3.02										
HCP206-17	1-1/16												HC206-17		3.13										
HCP206-18	1-1/8												42.86		160	121	44	17	20	17	84	48.4	18.3	HC206-18	3.06
HCP206-19	1-3/16												HC206-19		3.02										
HCP206-20	1-1/4												HC206-20		2.95										
HCP207-35MM	35mm	1-7/8	6-9/16	5	1-7/8	43/64	25/32	45/64	3-21/32	2.012	0.7402	1/2 M14	HC207-35MM	P207	3.75										
HCP207-20	1-1/4												HC207-20		3.9										
HCP207-21	1-5/16												47.62		167	127	48	17	20	18	93	51.1	18.8	HC207-21	3.81
HCP207-22	1-3/8												HC207-22		3.75										
HCP207-23	1-7/16												HC208-23		3.68										
HCP208-40MM	40mm	1-15/16	7-1/4	5-13/32	2-1/8	43/64	25/32	45/64	3-15/16	2.217	0.8425	1/2 M14	HC208-40MM	P208	4.5										
HCP208-24	1-1/2												49.21		184	137	54	17	20	18	100	56.3	21.4	HC208-24	4.61
HCP208-25	1-9/16												HC208-25		4.52										
HCP209-45MM	45mm	2-1/8	7-15/32	5-3/4	2-1/8	43/64	25/32	25/32	4-11/64	2.217	0.8425	1/2 M14	HC209-45MM	P209	5.09										
HCP209-26	1-5/8												53.975		190	146	54	17	20	20	106	56.3	21.4	HC209-26	5.34
HCP209-27	1-11/16												HC209-27		5.22										
HCP209-28	1-3/4												HC209-28		5.14										

Chart continues on next page

Mounted Ball Bearing Units

Pillow Blocks

HCP Standard Duty Eccentric Locking Collar Type



DUAL SEAL (B-Type)



TRIPLE LIP SEAL (R3-Type)

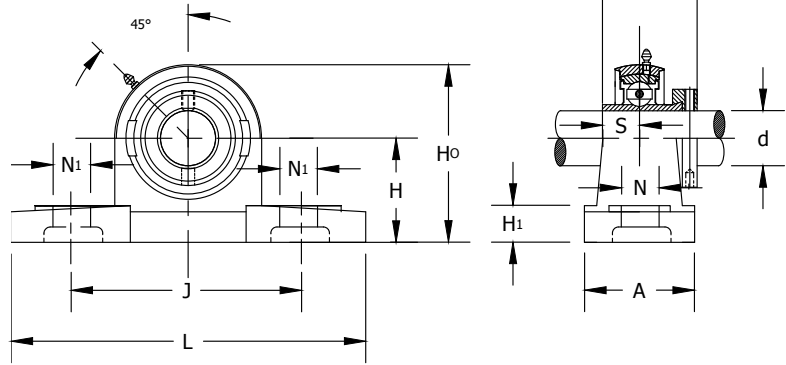


Unit No.	Shaft Dia.	Dimensions <small>in mm</small>										Bolt Size	Insert No.	Housing No.	Weight (lb)	
	d	H	L	J	A	N	N1	H1	H0	B	S					
HCP210-50MM	50mm												5/8 M14	HC210-50MM	P210	6.28
HCP210-30	1-7/8	2-1/4	8-1/8	6-1/4	2-3/8	25/32	29/32	53/64	4-29/64	2.469	0.9685	HC210-30		6.48		
HCP210-31	1-15/16	57.15	206	159	60	20	23	21	113	62.7	24.6	HC210-31		6.35		
HCP210-32	2											HC210-32		6.22		
HCP211-55MM	55mm												5/8 M16	HC211-55MM	P211	7.76
HCP211-32	2	2-1/2	8-5/8	6-47/64	2-3/8	25/32	29/32	29/32	4-59/64	2.811	1.0945	HC211-32		8.2		
HCP211-34	2-1/8	63.5	219	171	60	20	23	23	125	71.4	27.8	HC211-34		7.87		
HCP211-35	2-3/16											HC211-3S		7.69		
HCP212-60MM	60mm												5/8 M16	HC212-60MM	P212	11.55
HCP212-36	2-1/4	2-3/4	9-1/2	7-1/4	2-3/4	25/32	29/32	63/64	5-7/16	3.063	1.2205	HC212-36		11.9		
HCP212-38	2-3/8	69.85	241	184	70	20	23	25	138	77.8	31	HC212-38		11.6		
HCP212-39	2-7/16											HC212-39		11.31		
HCP213-65MM	65mm	3	10-7/16	8	2-3/4	63/64	1-3/32	1-1/16	5-29/32	3.374	1.3425	3/4 M20	HC213-65MM	P213	12.59	
HCP213-40	2-1/2	76.2	265	203	70	25	28	27	150	85.7	34.1		HC213-40		12.81	
HCP214-70MM	70mm	3-1/8	10-15/32	8-17/64	2-27/32	63/64	1-3/32	1-1/16	6-9/64	3.374	1.3425	3/4 M20	HC214-70MM	P214	14.77	
HCP214-44	2-3/4	79.375	266	210	72	25	28	27	156	85.7	34.1		HC214-44		14.79	
HCP215-75MM	75mm												3/4 M20	HC215-75MM	P215	17.17
HCP215-47	2-15/16	3-1/4	10-53/64	8-35/64	2-29/32	63/64	1-3/32	1-3/32	6-3/8	3.626	1.4685	HC215-47		17.26		
HCP215-48	3	82.55	275	217	74	25	28	28	162	92.1	37.3	HC215-48		16.95		

Dual seal standard. Triple seal optional (R3 suffix, i.e. HCP204-12R3)

Pillow Blocks

HCPK Standard Duty Eccentric Locking Collar, Low Center Height

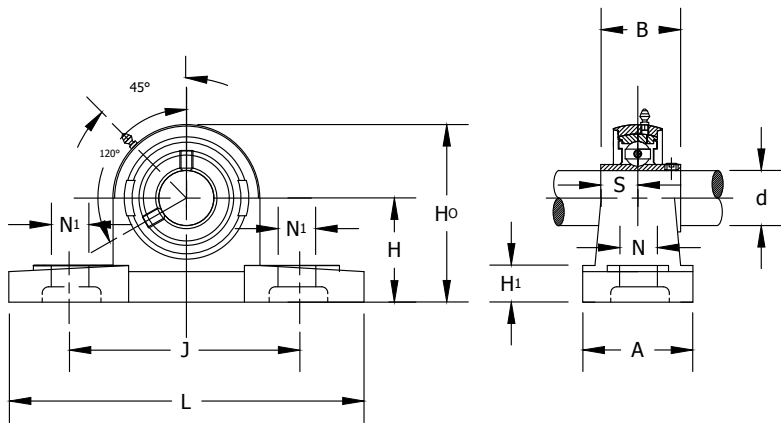


- Cast iron housing - solid base
- Wide inner ring bearing
- Dual seals (Type B)

Unit No.	Shaft Dia. d	Dimensions in mm										Bolt Size	Insert No.	Housing No.	Weight (lb)
		H	L	J	A	N	N1	H1	H0	B	S				
HCPK204-20MM	20mm	1-1/4	5	3-3/4	1-1/2	7/16	9/16	9/16	2-31/64	1.7205	0.6732	3/8 M10	HC204-20MM	PK204	1.54
HCPK204-12	3/4	31.75	127	98	38	11	14	14	63	43.7	17.1		HC204-12		1.54
HCPK205-25MM	25mm	1-5/16 33.3375	5-33/64 140	4-9/64 105	1-1/2 38	7/16 11	9/16 14	19/32 15	2-43/64 68	1.7480 44.4	0.6890 17.5	3/8 M10	HC205-25MM	PK205	1.92
HCPK205-14	7/8												HC205-14		1.96
HCPK205-15	15/16												HC205-15		1.94
HCPK205-16	1												HC205-16		1.92
HCPK206-30MM	30mm	1-9/16 39.6875	6-19/64 160	4-49/64 121	1-47/64 44	9/16 14	3/4 19	43/64 17	3-5/32 80	1.9055 48.4	0.7205 18.3	7/16 M12	HC206-30MM	PK206	2.82
HCPK206-18	1-1/8												HC206-18		2.87
HCPK206-19	1-3/16												HC206-19		2.82
HCPK206-20	1-1/4												HC206-20		2.80
HCPK207-35MM	35mm	1-13/16 46.0375	6-37/64 167	5	1-57/64 48	9/16 14	3/4 19	45/64 18	3-37/64 91	2.0118 51.1	0.7402 18.8	7/16 M12	HC207-35MM	PK207	3.79
HCPK207-20	1-1/4												HC207-20		3.92
HCPK207-21	1-5/16												HC207-21		3.86
HCPK207-22	1-3/8												HC207-22		3.79
HCPK207-23	1-7/16												HC207-23		3.73
HCPK208-40MM	40mm	1-15/16 49.2125	7-1/8 181	5-33/64 140	2-3/64 52	9/16 14	3/4 19	45/64 18	3-15/16 100	2.2165 56.3	0.8425 21.4	7/16 M12	HC208-40MM	PK209	4.50
HCPK208-24	1-1/2												HC208-24		4.59
HCPK208-25	1-9/16												HC208-25		4.52
HCPK209-45MM	45mm	2-1/16 52.3875	7-7/16 189	5-3/4 146	2-1/8 54	9/16 14	3/4 19	25/32 20	4-3/32 104	2.2165 56.3	0.8425 21.4	7/16 M12	HC209-45MM	PK209	5.14
HCPK209-26	1-5/8												HC209-26		5.36
HCPK209-27	1-11/16												HC209-27		5.27
HCPK209-28	1-3/4												HC209-28		5.14
HCPK210-50MM	50mm	2-3/16 55.5625	8 203	6-17/64 159	2-1/4 57	9/16 14	3/4 19	53/64 21	4-13/32 112	2.4685 62.7	0.9685 24.6	7/16 M12	HC210-50MM	PK210	6.33
HCPK210-30	1-7/8												HC210-30		6.48
HCPK210-31	1-15/16												HC210-31		6.37
HCPK210-32	2												HC210-32		6.28
HCPK211-55MM	55mm	2-1/4 57.15	9-9/64 232	7-1/8 181	2-23/64 60	45/64 18	15/16 24	29/32 23	4-7/8 124	2.8110 71.4	1.0945 27.8	1/2 M14	HC211-55MM	PK211	8.14
HCPK211-32	2												HC211-32		8.47
HCPK211-34	2-1/8												HC211-34		8.22
HCPK211-35	2-3/16												HC211-35		8.09
HCPK212-60MM	60mm	2-11/16 68.2625	9-31/64 241	7-33/64 191	2-33/64 64	45/64 18	15/16 24	63/64 25	5-23/64 136	3.0630 77.8	1.2205 31	1/2 M14	HC212-60MM	PK212	11.40
HCPK212-36	2-1/4												HC212-36		11.46
HCPK212-38	2-3/8												HC212-38		11.35
HCPK212-39	2-7/16												HC212-39		11.18
HCPK213-65MM	65mm	2-11/16 68.2625	9-49/64 248	7-41/64 194	2-3/4 70	45/64 18	1-9/64 29	1-1/16 27	5-9/16 141	3.3740 85.7	1.3425 34.1	1/2 M14	HC213-65MM	PK213	11.07
HCPK213-40	2-1/2												HC213-40		11.27

Mounted Ball Bearing Units

Pillow Blocks SBP Light Duty Set Screw Type



- Cast iron housing - solid base
- Narrow inner ring bearing
- Dual seals (Type K)

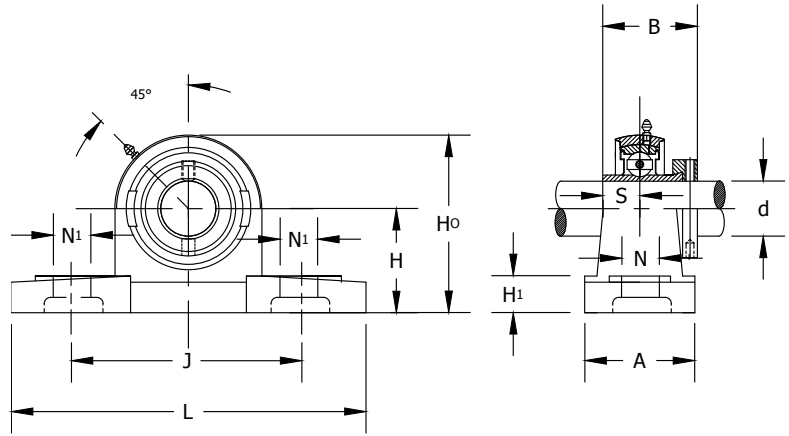
Unit No.	Shaft Dia.	Dimensions in mm										Bolt Size	Insert No.	Housing No.	Weight		
	d	H	L	J	A	N	N1	H1	H0	B	S						
SBP201-12MMG	12mm													3/8 M10	SB201-12MMG SB201-8G SB202-15MMG SB202-10G SB203-17MMG SB203-11G	P203S	1.38
SBP201-8G	1/2																
SBP202-15MMG	15mm	1-3/16	4-15/16	3-5/8	1-1/4	15/32	5/8	1/2	2-1/4	1/4	7/8						
SBP202-10G	5/8	30.1625	125	92	32	12	16	13	57.0	6	22.0						
SBP203-17MMG	17mm																
SBP203-11G	11/16																
SBP204-12G	3/4	1-5/16	5	3-25/32	1-15/32	1/2	5/8	9/16	2-1/2	9/32	1		3/8 M10	SB204-12G SB204-20MMG	P204	1.38	
SBP204-20MMG	20mm	33.3375	127	96	37	13	16	14	63.8	7	25.0						
SBP205-14G	7/8												3/8 M10	SB205-14G SB205-15G SB205-25MMG SB205-16G	P205	1.82	
SBP205-15G	15/16	1-7/16	5-1/2	4-1/8	1-1/2	1/2	3/4	19/32	2-3/4	9/32	1-1/16						
SBP205-25MMG	25mm	36.5125	140	105	38	13	19	15	69.5	7.5	27.0						
SBP205-16G	1																
SBP206-18G	1-1/8												1/2 M14	SB206-18G SB206-30MMG SB206-19G SB206-20G	P206	2.95	
SBP206-30MMG	30mm	1-11/16	6-5/16	4-3/4	1-3/4	9/16	3/4	5/8	3-1/4	5/16	1-3/16						
SBP206-19G	1-3/16	42.8625	160	121	44	14	19	16	82.0	8	30.0						
SBP206-20G	1-1/4																
SBP207-20G	1-1/4												1/2 M14	SB207-20G SB207-21G SB207-22G SB207-35MMG SB207-23G	P207	2.95	
SBP207-21G	1-5/16																
SBP207-22G	1-3/8	1-7/8	6-19/32	4-31/32	1-29/32	19/32	3/4	11/16	3-5/8	11/32	1-9/32						
SBP207-35MMG	35mm	47.625	167	126	48	15	19	17	92.0	8.5	32.0						
SBP207-23G	1-7/16																
SBP208-24G	1-1/2	1-15/16	7-3/32	5-3/8	2-1/16	19/32	13/16	23/32	3-7/8	3/8	1-11/32		1/2 M14	SB208-24G SB208-25G SB208-40MMG	P208	4.48	
SBP208-25G	1-9/16	49.2125	180	136	52	15	21	18	98.0	9	34.0						
SBP208-40MMG	40mm																

Pillow Blocks

SAP Light Duty Eccentric Locking Collar Type



- Cast iron housing - solid base
- Narrow inner ring bearing
- Dual seals (Type K)

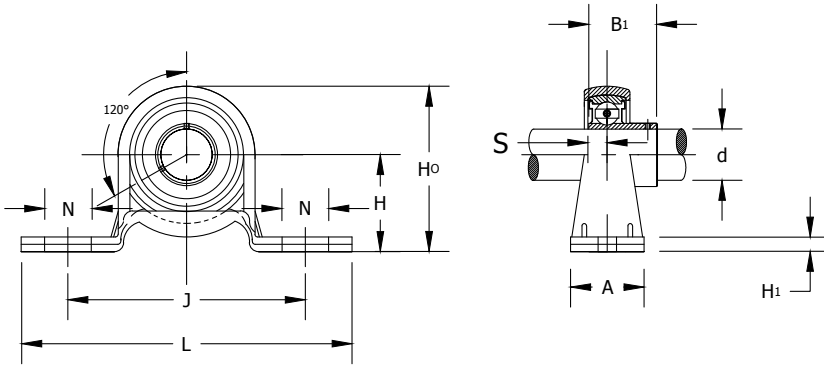


Unit No.	Shaft Dia.	Dimensions in mm										Bolt Size	Insert No.	Housing No.	Weight (lb)	
	d	H	L	J	A	N	N1	H1	H0	B	S					
SAP201-12MMG	12mm												3/8 M10	SA201-12MMG	P203S	1.43
SAP201-8G	1/2															
SAP202-15MMG	15mm	1-3/16	4-15/16	3-5/8	1-1/4	15/32	5/8	1/2	2-1/4	1/4	1-1/8					
SAP202-10G	5/8	30.1625	125	92	32	12	16	13	57.0	6.5	28.6					
SAP203-17MMG	17mm															
SAP203-11G	11/16															
SAP204-12G	3/4	1-5/16	5	3-25/32	1-15/32	1/2	5/8	9/16	2-1/2	9/32	1-7/32	3/8 M10	SA204-12G	P204	1.43	
SAP204-20MMG	20mm	33.3375	127	96	37	13	16	14	63.8	7.5	30.9					
SAP205-14G	7/8											3/8 M10	SA205-14G	P205	1.87	
SAP205-15G	15/16	1-7/16	5-1/2	4-1/8	1-1/2	1/2	3/4	19/32	2-3/4	9/32	1-7/32					
SAP205-25MMG	25mm	36.5125	140	105	38	13	19	15	69.5	7.5	30.9					
SAP205-16G	1															
SAP206-18G	1-1/8											1/2 M14	SA206-18G	P206	3.08	
SAP206-30MMG	30mm	1-11/16	6-5/16	4-25/32	1-23/32	9/16	3/4	5/8	3-7/32	11/32	1-13/32					
SAP206-19G	1-3/16	42.8625	160	121	44	14	19	16	82.0	9.0	35.7					
SAP206-20G	1-1/4															
SAP207-20G	1-1/4											1/2 M14	SA207-20G	P207	3.7	
SAP207-21G	1-5/16															
SAP207-22G	1-3/8	1-7/8	6-9/16	4-31/32	1-7/8	19/32	3/4	11/16	3-5/8	3/8	1-17/32					
SAP207-35MMG	35mm	47.625	167	126	48	15	19	17	92.0	9.5	38.9					
SAP207-23G	1-7/16															
SAP208-24G	1-1/2											1/2 M14	SA208-24G	P208	4.66	
SAP208-25G	1-9/16	1-15/16	7-3/32	5-11/32	2-1/16	19/32	13/16	23/32	7/8	7/16	1-23/32					
SAP208-40MMG	40mm	49.2125	180	136	52	15	21	18	98.0	11.0	43.7					
SAP209-26G	1-5/8											1/2 M14	SA209-26G	P209	5.26	
SAP209-27G	1-11/16	2-1/8	7-7/16	5-3/4	2-1/8	19/32	53/64	25/32	4-5/32	7/16	1-23/32					
SAP209-28G	1-3/4	53.975	189	146	54	15	21	20	105.5	11.0	43.7					
SAP209-45MMG	45mm															
SAP210-30G	1-7/8											5/8 M16	SA210-30G	P210	5.7	
SAP210-31G	1-15/16	2-1/4	8-1/32	6-1/4	2-1/4	3/4	7/8	13/16	4-13/32	7/16	1-23/32					
SAP210-50MMG	50mm	57.15	204	159	57	19	22	21	112.2	11.0	43.7					

Mounted Ball Bearing Units

Pressed Housing Pillow Blocks

SBPP Set Screw Type



- Zinc plated housing
- Narrow inner ring bearing
- Dual seals (Type K)

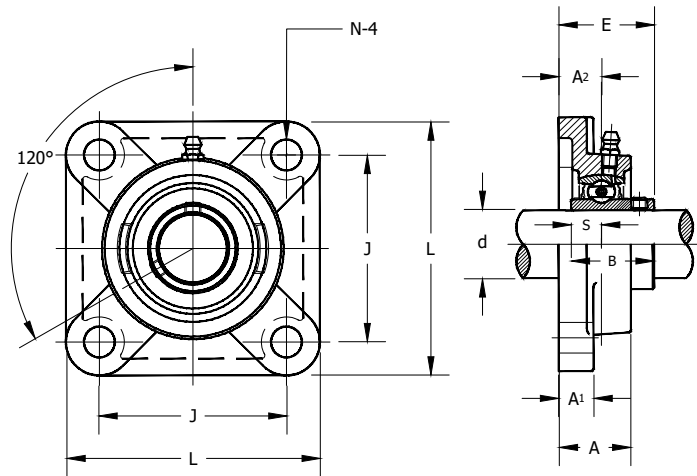
Unit No.	Shaft Dia.	Dimensions in mm									Bolt Size	Insert No.	Housing No.	Weight (lb)	
		d	H	L	J	A	N	H1	H0	Bi					S
SBPP201-12MM	12mm												SB201-12MM	PP203	0.35
SBPP201-8	1/2												SB201-8		
SBPP202-15MM	15mm	7/8	3-3/8	2-43/64	63/64	3/8	0.1260	1-23/32	0.8661	0.2362	5/16	SB202-15MM			
SBPP202-10	5/8	22.225	86	68	25	9.5	3.2	43.8	22	6	M8	SB202-10			
SBPP203-17MM	17mm											SB203-17MM			
SBPP203-11	11/16											SB203-11			
SBPP204-20MM	20mm	1	3-27/32	3	1/4	3/8	0.1260		0.9843	0.2756	5/16	SB204-20MM	PP204	0.51	
SBPP204-12	3/4	25.4	98	76	32	9.5	3.2	50.5	25	7	M8	SB204-12			
SBPP205-25MM	25mm											SB205-25MM	PP205	0.62	
SBPP205-14	7/8	1-1/8	4-1/4	3-25/64	1-1/4	29/64	0.1575	2-15/64	1.0630	0.2953	3/8	SB205-14			
SBPP205-15	15/16	28.575	108	86	32	11.5	4	56.6	27	7.5	M10	SB205-15			
SBPP205-16	1											SB205-16			
SBPP206-30MM	30mm											SB206-30MM			
SBPP206-18	1-1/8	1-5/16	4-39/64	3-47/64	1-1/2	29/64	0.1575	2-39/64	1.1811	0.3150	3/8	SB206-18	PP206	1.04	
SBPP206-19	1-3/16	33.3375	117	95	38	11.5	4	66.3	30	8	M10	SB206-19			
SBPP206-20	1-1/4											SB206-20			
SBPP207-35MM	35mm											SB207-35MM			
SBPP207-20	1-1/4											SB207-20	PP207	1.26	
SBPP207-21	1-5/16	1-9/16	5-5/64	4-5/32	1-21/32	29/64	0.1811	3-1/8	1.2598	0.3346	3/8	SB207-21			
SBPP207-22	1-3/8	39.6875	129	106	42	11.5	4.6	78	32	8.5	M10	SB207-22			
SBPP207-23	1-7/16											SB207-23			

SAPP Eccentric Locking Collar Type

Unit No.	Shaft Dia.	Dimensions in mm									Bolt Size	Insert No.	Housing No.	Weight (lb)	
		d	H	L	J	A	N	H1	H0	Bi					S
SAPP201-12MM	12mm												SA201-12MM	PP203	0.42
SAPP201-8	1/2												SA201-8		
SAPP202-15MM	15mm	7/8	3-3/8	2-43/64	63/64	3/8	0.1260	1-23/32	1.1260	0.2559	5/16	SA202-15MM			
SAPP202-10	5/8	22.225	86	68	25	9.5	3.2	43.8	28.6	6.5	M8	SA202-10			
SAPP203-17MM	17mm											SA203-17MM			
SAPP203-11	11/16											SA203-11			
SAPP204-20MM	20mm	1	3-27/32	2-63/64	1-1/4	3/8	0.1260	1-63/64	1.2205	0.2953	5/16	SA204-20MM	PP204	0.51	
SAPP204-12	3/4	25.4	98	76	32	9.5	3.2	50.5	31	7.5	M8	SA204-12			
SAPP205-25MM	25mm											SA205-25MM	PP205	0.71	
SAPP205-14	7/8	1-1/8	4-1/4	3-25/64	1-1/4	29/64	0.1575	2-15/64	1.2205	0.2953	3/8	SA205-14			
SAPP205-15	15/16	28.575	108	86	32	11.5	4	56.6	31	7.5	M10	SA205-15			
SAPP205-16	1											SA205-16			
SAPP206-30MM	30mm											SA206-30MM			
SAPP206-18	1-1/8	1-5/16	4-39/64	3-47/64	1-1/2	29/64	0.1575	2-39/64	1.4055	0.3543	3/8	SA206-18	PP206	1.10	
SAPP206-19	1-3/16	33.3375	117	95	38	11.5	4	66.3	35.7	9	M10	SA206-19			
SAPP206-20	1-1/4											SA206-20			
SAPP207-35MM	35mm											SA207-35MM			
SAPP207-20	1-1/4											SA207-20	PP207	1.57	
SAPP207-21	1-5/16	1-9/16	5-5/64	4-5/32	1-21/32	29/64	0.1811	3-1/8	1.5315	0.3740	3/8	SA207-21			
SAPP207-22	1-3/8	39.6875	129	106	42	11.5	4.6	78	38.9	9.5	M10	SA207-22			
SAPP207-23	1-7/16											SA207-23			

Flanges

UCF Standard Duty Set Screw Locking Type



- Cast iron housing
- Wid inner ring bearing
- Dual seals (Type B)

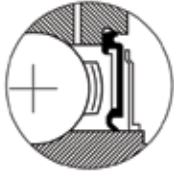
Unit No.	Shaft Dia.	Dimensions in mm								Bolt Size	Insert No.	Housing No.	Weight (lb)
	d	L	J	A2	A1	A	N	E	S				
UCF202-10S	5/8	3 76	2-1/8 54	19/32 15	7/16 11	31/32 24.6	7/16 11	1-7/32 31	0.441 11.2	3/8 M10	UC202-10S	F203	1.14
UCF201-12MM	12mm	3-3/8 86	2-17/32 64	19/32 15	15/32 12	1 25.5	15/32 12	1-5/16 33.3	0.500 12.7	3/8 M10	UC201-12MM	F204	1.34
UCF201-8	1/2										UC201-8		1.34
UCF202-15MM	15mm										UC202-15MM		1.32
UCF202-9	9/16										UC202-9		1.32
UCF202-10	5/8										UC202-10		1.32
UCF203-17MM	17mm										UC203-17MM		1.28
UCF203-11	11/16										UC203-11		1.30
UCF204-20MM	20mm										UC204-20MM		1.23
UCF204-12	3/4										UC204-12		1.23
UCF205-25MM	25mm										3-3/4 95		2-3/4 70
UCF205-14	7/8	UC205-14	1.83										
UCF205-15	15/16	UC205-15	1.79										
UCF205-16	1	UC205-16	1.76										
UCF206-30MM	30mm	4-1/4 108	3-17/64 83	45/64 18	35/64 14	1-7/32 31	15/32 12	1-19/32 40.2	0.626 15.9	3/8 M10	UC206-30MM	F206	2.47
UCF206-18	1-1/8										UC206-18		2.51
UCF206-19	1-3/16										UC206-19		2.47
UCF206-20	1-1/4										UC206-20		2.45
UCF207-35MM	35mm	4-39/64 117	3-5/8 92	3/4 19	5/8 16	1-11/32 34	35/64 14	1-3/4 44.4	0.689 17.5	7/16 M12	UC207-35MM	F207	3.22
UCF207-20	1-1/4										UC207-20		3.35
UCF207-21	1-5/16										UC207-21		3.28
UCF207-22	1-3/8										UC207-22		3.22
UCF207-23	1-7/16										UC207-23		3.15
UCF208-40MM	40mm	5-1/8 130	4-1/64 102	53/64 21	5/8 16	1-27/64 36	35/64 14	2-1/64 51.2	0.748 19	1/2 M14	UC208-40MM	F208	4.06
UCF208-24	1-1/2										UC208-24		4.14
UCF208-25	1-9/16										UC208-25		4.08

Chart continues on next page

Mounted Ball Bearing Units

Flanges

UCF Standard Duty Set Screw Locking Type



DUAL SEAL (B-Type)



TRIPLE LIP SEAL (R3-Type)

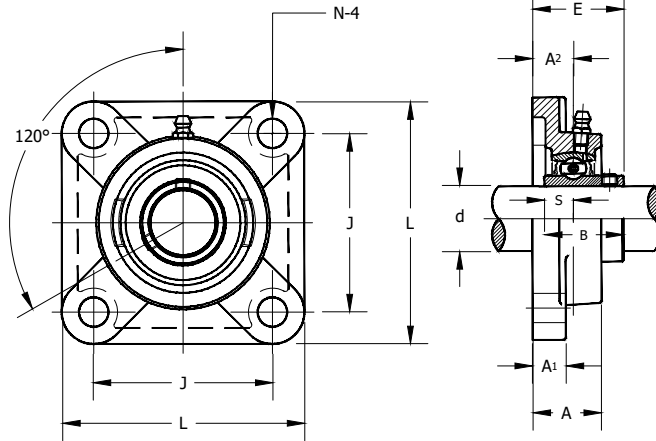


Unit No.	Shaft Dia.	Dimensions <small>in mm</small>								Bolt Size	Insert No.	Housing No.	Weight (lb)	
	d	L	J	A2	A1	A	N	E	S					
UCF209-45MM	45mm										1/2 M14	UC209-45MM	F209	4.74
UCF209-26	1-5/8	5-13/32 137	4-9/64 105	55/64 22	23/32 18	1-1/2 38	5/8 16	2-1/16 52.2	0.748 19	UC209-26		4.96		
UCF209-27	1-11/16									UC209-27		4.87		
UCF209-28	1-3/4									UC209-28		4.78		
UCF210-50MM	50mm													
UCF210-30	1-7/8	5-5/8 143	4-3/8 111	55/64 22	23/32 18	1-9/16 40	5/8 16	2-5/32 54.6	0.748 19	UC210-30	5.49			
UCF210-31	1-15/16									UC210-31	5.38			
UCF210-32	2									UC210-32	5.00			
UCF211-55MM	55mm													
UCF211-32	2	6-3/8 162	5-1/8 130	63/64 25	25/32 20	1-11/16 43	3/4 19	2-5/16 58.4	0.874 22.2	UC211-32	7.63			
UCF211-34	2-1/8									UC211-34	7.39			
UCF211-35	2-3/16									UC211-35	7.25			
UCF212-60MM	60mm													
UCF212-36	2-1/4	6-57/64 175	5-5/8 143	1-9/64 29	25/32 20	1-57/64 48	3/4 19	2-45/64 68.7	1.000 25.4	UC212-36	9.72			
UCF212-38	2-3/8									UC212-38	9.39			
UCF212-39	2-7/16									UC212-39	9.24			
UCF213-65MM	65mm													
UCF213-40	2-1/2	7-26/64 187	5-55/64 149	1-3/16 30	55/64 22	1-31/32 50	3/4 19	2-3/4 69.7	1.000 25.4	UC213-40	11.20			
UCF214-70MM	70mm									5/8 M16	UC214-70MM	F214	12.90	
UCF214-44	2-3/4	7-19/32 193	5-63/64 152	1-7/32 31	55/64 22	2-1/8 54	3/4 19	2-31/32 75.4	1.189 30.2		UC214-44		12.92	
UCF215-75MM	75mm									3/4 M20	UC215-75MM	F215	15.23	
UCF215-47	2-15/16	7-7/8 200	6.2656 159	1-11/32 34	55/64 22	2-7/32 56	3/4 19	3-3/32 78.5	1.311 33.3		UC215-47		15.30	
UCF215-48	3										UC215-48		15.04	
UCF216-80MM	80mm													
UCF216-50	3-1/8	8-3/16 208	6-1/2 165	1-11/32 34	55/64 22	2-9/32 58	29/32 23	3-9/32 83.3	1.311 33.3	UC216-50	16.64			
UCF217-85MM	85mm									3/4 M20	UC217-85MM	F217	21.30	
UCF217-52	3-1/4	8-21/23 220	6-57/64 175	1-27/64 36	15/16 24	2-15/32 63	29/32 23	3-7/16 87.6	1.343 34.1		UC217-52		21.78	
UCF217-55	3-7/16										UC217-55		20.83	
UCF218-90MM	90mm													
UCF218-56	3-1/2	9-1/4 235	7-23/64 187	40 1-37/64	15/16 24	2-11/16 68	29/32 23	3-25/32 96.3	1.563 39.7	UC218-56	26.83			

Dual seal standard. Triple seal optional (R3 suffix, i.e. UCF205-16R3)

Flanges

UCFX Medium Duty Set Screw Locking Type



- Cast iron housing
- Wid inner ring bearing
- Dual seals (Type B)

Unit No.	Shaft Dia.	Dimensions in mm								Bolt Size	Insert No.	Housing No.	Weight (lb)	
	d	L	J	A2	A1	A	N	E	S					
UCFX05-25MM	25mm											UCX05-25MM	F206	2.20
UCFX05-14	7/8	4-1/4	3-17/64	45/64	1/2	1-3/16	15/32	1-19/32	0.6260	3/8	UCX05-14			
UCFX05-15	15/16	108	83	18	13	30	12	40.2	15.9	M10	UCX05-15			
UCFX05-16	1										UCX05-16			
UCFX06-30MM	30mm											UCX06-30MM	F207	3.75
UCFX06-18	1-1/8	4-39/64	3-5/8	3/4	9/16	1-11/32	5/8	1-3/4	0.6890	1/2	UCX06-18			
UCFX06-19	1-3/16	117	92	19	14	34	16	44.4	17.5	M14	UCX06-19			
UCFX06-20	1-1/4										UCX06-20			
UCFX07-35MM	35mm											UCX07-35MM	F208	4.63
UCFX07-22	1-3/8	5-1/8	4-1/64	53/64	9/16	1-1/2	5/8	2-1/64	0.7480	1/2	UCX07-22			
UCFX07-23	1-7/16	130	102	21	14	38	16	51.2	19	M14	UCX07-23			
UCFX08-40MM	40mm											UCX08-40MM	F209	5.29
UCFX08-24	1-1/2	5-13/32	4-9/64	55/64	9/16	1-9/16	3/4	2-1/64	0.7480	5/8	UCX08-24			
UCFX09-45MM	45mm											UCX09-45MM	F210	5.51
UCFX09-26	1-5/8										UCX09-26			
UCFX09-27	1-11/16	5-5/8	4-3/8	29/32	9/16	1-9/16	3/4	2-3/16	0.7480	5/8	UCX09-27			
UCFX09-28	1-3/4	143	111	23	14	40	19	55.6	19	M16	UCX09-28			
UCFX09-29	1-13/16										UCX09-29			
UCFX10-50MM	50mm											UCX10-50MM	F211	8.60
UCFX10-30	1-7/8	6-3/8	5-1/8	1-1/32	25/32	1-23/32	3/4	2-11/32	0.8740	5/8	UCX10-30			
UCFX10-31	1-15/16	162	130	26	20	44	19	59.4	22.2	M16	UCX10-31			
UCFX10-32	2										UCX10-32			
UCFX11-55MM	55mm											UCX11-55MM	F212	10.80
UCFX11-34	2-1/8	6-57/64	5-5/8	1-9/64	25/32	1-15/16	3/4	2-45/64	1.0000	5/8	UCX11-34			
UCFX11-35	2-3/16	175	143	29	20	49	19	68.7	25.4	M16	UCX11-35			
UCFX11-36	2-1/4										UC211-36			
UCFX12-60MM	60mm											UCX12-60MM	F213	11.46
UCFX12-38	2-3/8	7-23/64	5-55/64	1-11/32	13/16	2-5/16	3/4	2-29/32	1.0000	5/8	UCX12-38			
UCFX12-39	2-7/16	187	149	34	21	59	19	73.7	25.4	M16	UCX12-39			
UCFX13-65MM	65mm											UCX13-65MM	FX13	11.68
UCFX13-40	2-1/2	7-23/64	5-55/64	1-11/32	13/16	2-5/16	3/4	3-3/32	1.1890	5/8	UCX13-40			
UCFX14-70MM	70mm											UCX14-70MM	FX14	16.09
UCFX14-43	2-11/16	7-3/4	5-63/64	1-29/64	15/16	2-3/8	29/32	3-13/64	1.3110	3/4	UCX14-43			
UCFX14-44	2-3/4	197	152	37	24	60	23	81.5	33.3	M20	UCX14-44			
UCFX15-75MM	75mm											UCX15-75MM	FX15	17.86
UCFX15-47	2-15/16	7-3/4	5-63/64	1-37/64	15/16	2-11/16	29/32	3-33/64	1.3110	3/4	UCX15-47			
UCFX 15-48	3	197	152	40	24	68	23	89.3	33.3	M20	UCX15-48			

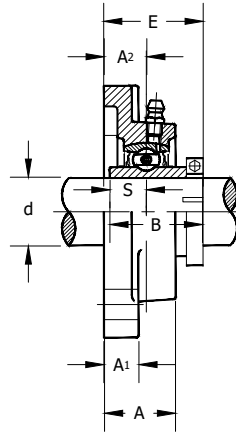
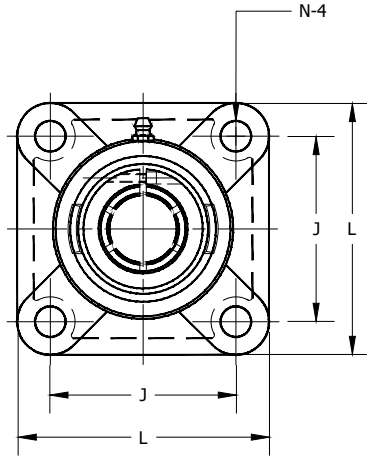
Mounted Ball Bearing Units

Flanges

UCF..T Standard Duty Premere-LOC (Concentric Collar Locking)

Premere-LOC mounted units provide quieter, smoother and more efficient operation, especially under higher radial loads. The concentric locking collar provides a uniform grip to the inner ring leading to an operational true centerline, reducing vibration at higher speeds. As well, the concentric locking force significantly reduces the chance of damaging the shaft.

These one-step easy installation units are ideal for bi-directional applications and can replace both set screw locking and eccentric collar locking bearings.

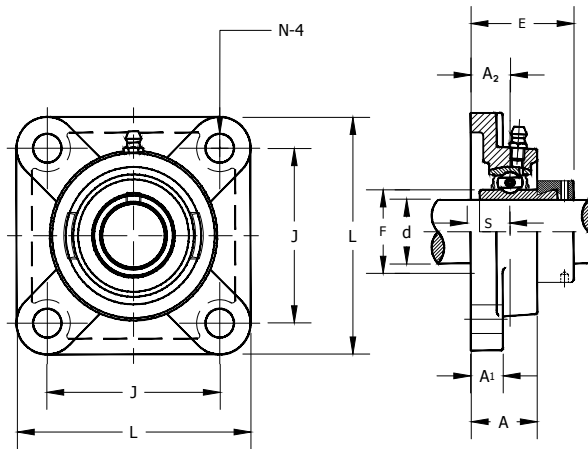


- Cast iron housing
- Wid inner ring bearing
- Dual seals (Type B)

Unit No.	Shaft Dia.	Dimensions in mm								Bolt Size	Insert No.	Housing No.	Weight (lb)
	d	L	J	A2	A1	A	N	E	S				
UCF202-10ST	5/8	3/76	2-1/8 54	19/32 15	7/16 11	31/32 24.6	7/16 11	1-7/32 31	0.441 11.2	3/8 M10	UC202-10ST	F203	1.14
UCF204-20MMT	20mm	3-3/8 86	2-17/32 64	19/32 15	15/32 12	1 25.4	15/32 12	1-7/16 35.8	0.500 12.7	3/8 M10	UC204-20MMT	F204	1.23
UCF204-12T	3/4										UC204-12T		1.23
UCF205-25MMT	25mm	3-3/4 95	2-3/4 70	5/8 16	35/64 14	1-1/16 27	15/32 12	1-1/2 38.1	0.563 14.3	3/8 M10	UC205-25MMT	F205	1.76
UCF205-14T	7/8										UC205-14T		1.83
UCF205-16T	1										UC205-16T		1.76
UCF206-30MMT	30mm	4-1/4 108	3-17/64 83	45/64 18	35/64 14	1-7/32 31	15/32 12	1-5/8 42.1	0.626 15.9	3/8 M10	UC206-30MMT	F206	2.47
UCF206-19T	1-3/16										UC206-19T		2.47
UCF206-20T	1-1/4										UC206-20T		2.45
UCF207-35MMT	35mm	4-39/64 117	3-5/8 92	3/4 19	5/8 16	1-11/32 34	35/64 14	1-13/16 46	0.689 17.5	7/16 M12	UC207-35MMT	F207	3.22
UCF207-20T	1-1/4										UC207-20T		3.35
UCF207-21T	1-5/16										UC207-21T		3.28
UCF207-22T	1-3/8										UC207-22T		3.22
UCF207-23T	1-7/16										UC207-23T		3.15
UCF208-40MMT	40mm	5-1/8 130	4-1/64 102	53/64 21	5/8 16	1-27/64 36	35/64 14	2-3/16 59	0.748 19	1/2 M14	UC208-40MMT	F208	4.06
UCF208-24T	1-1/2										UC208-24T		4.14
UCF208-25T	1-9/16										UC208-25T		4.08
UCF209-45MMT	45mm	5-13/32 137	4-9/64 105	55/64 22	23/32 18	1-1/12 38	5/8 16	2-1/8 54	0.748 19	1/2 M14	UC209-45MMT	F209	4.74
UCF209-27T	1-11/16										UC209-27T		4.87
UCF209-28T	1-3/7										UC209-28T		4.78
UCF210-50MMT	50mm	5-5/8 143	4-3/8 111	55/64 22	23/32 18	1-9/16 40	5/8 16	2-7/32 56.2	0.748 19	1/2 M14	UC210-50MMT	F210	5.54
UCF210-31T	1-15/16										UC210-31T		5.38

Flanges

HCFU Standard Duty, Eccentric Locking Collar



- Cast iron housing
- Wid inner ring bearing
- Dual seals (Type B)
- FU deep pocket housing

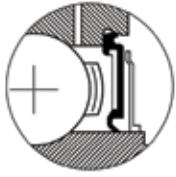
Unit No.	Shaft Dia.	Dimensions <small>in mm</small>								Bolt Size	Insert No.	Housing No.	Weight (lb)	
		d	L	J	A2	A1	A	N	E					S
HCFU203-17MM	17mm										3/8 M10	HC203-17MM	FU204	1.54
HCFU203-11	11/16	3-3/8	2-1/2	3/4	19/32	1-5/32	15/32	1-51/64	17.1	3/8		HC203-11	FU204	1.54
HCFU204-20MM	20mm	86	63.5	19	15	29.5	12	45.6	3/8	M10		HC204-20MM	FU204	1.50
HCFU204-12	3/4											HC204-12	FU204	1.50
HCFU205-25MM	25mm										3/8 M10	HC205-25MM	FU205	1.79
HCFU205-14	7/8	3-21/32	2-3/4	3/4	19/32	1-3/16	15/32	1-13/16	17.5	3/8		HC205-14	FU205	1.79
HCFU205-15	15/16	95	70	19	15	30	12	45.9	3/8	M10		HC205-15	FU205	1.79
HCFU205-16	1											HC205-16	FU205	1.79
HCFU206-30MM	30mm										3/8 M10	HC206-30MM	FU206	2.56
HCFU206-17	1-1/16											HC206-17	FU206	2.56
HCFU206-18	1-1/8	4-11/64	3-1/4	25/32	5/8	1-9/32	15/32	1-31/32	18.3	3/8		HC206-18	FU206	2.56
HCFU206-19	1-3/16	106	82.5	20	16	32.5	12	50.1	3/8	M10		HC206-19	FU206	2.56
HCFU206-20	1-1/4											HC206-20	FU206	2.56
HCFU207-35MM	35mm										7/16 M12	HC207-35MM	FU207	3.31
HCFU207-20	1-1/4											HC207-20	FU207	3.31
HCFU207-21	1-5/16	4-9/16	3-5/8	53/64	43/64	1-3/8	35/64	2-3/32	18.8	7/16		HC207-21	FU207	3.31
HCFU207-22	1-3/8	116	92	21	17	35	14	53.3	7/16	M12		HC207-22	FU207	3.31
HCFU207-23	1-7/16											HC207-23	FU207	3.31
HCFU208-40MM	40mm										7/16 M12	HC208-40MM	FU208	4.30
HCFU208-24	1-1/2	5-5/64	4	15/16	43/64	1-17/32	35/64	2-5/16	21.4	7/16		HC208-24	FU208	4.30
HCFU208-25	1-9/16	129	101.5	24	17	39	14	58.9	7/16	M12		HC208-25	FU208	4.30
HCFU209-45MM	45mm										1/2 M14	HC209-45MM	FU209	5.00
HCFU209-26	1-5/8	5-5/16	4-9/64	15/16	23/32	1-37/64	5/8	2-5/16	21.4	1/2		HC209-26	FU209	5.00
HCFU209-27	1-11/16	135	105	24	18	40	16	58.9	1/2	M14		HC209-27	FU209	5.00
HCFU209-28	1-3/4											HC209-28	FU209	5.00

Chart continues on next page

Mounted Ball Bearing Units

Flanges

HCFU Standard Duty, Eccentric Locking Collar



DUAL SEAL (B-Type)



TRIPLE LIP SEAL (R3-Type)

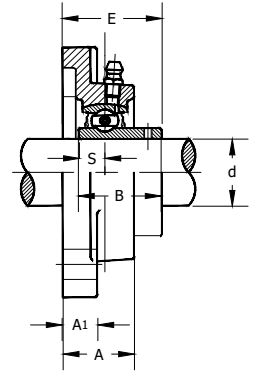
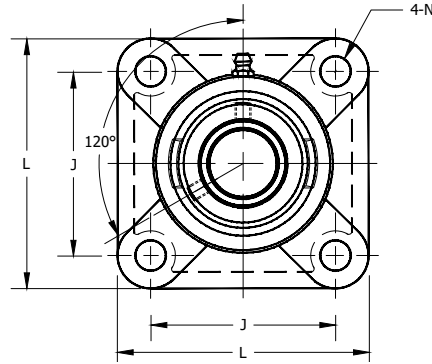


Unit No.	Shaft Dia.	Dimensions <small>in mm</small>								Bolt Size	Insert No.	Housing No.	Weight (lb)	
		d	L	J	A2	A1	A	N	E					S
HCFU210-50MM	50mm										5/8 M16	HC210-50MM	FU210	5.97
HCFU210-30	1-7/8	5-5/8	4-3/8	1-3/32	25/32	1-49/64	23/32	2-39/64	24.6	5/8		HC210-30	FU210	5.97
HCFU210-31	1-15/16	143	111	28	20	45	18	66.1	5/8	5/8		HC210-31	FU210	5.97
HCFU210-32	2											HC210-32	FU210	5.97
HCFU211-55MM	55mm										5/8 M16	HC211-55MM	FU211	8.16
HCFU211-32	2	6-3/8	5-1/8	1-7/32	53/64	1-59/64	23/32	2-15/16	27.8	5/8		HC211-32	FU211	8.16
HCFU211-34	2-1/8	162	130	31	21	49	18	74.6	5/8	5/8		HC211-34	FU211	8.16
HCFU211-35	2-3/16											HC211-35	FU211	8.16
HCFU212-60MM	60mm										5/8 M16	HC212-60MM	FU212	10.12
HCFU212-36	2-1/4	6-57/64	5-5/8	1-11/32	55/64	1-7/64	23/32	3-3/16	31	5/8		HC212-36	FU212	10.12
HCFU212-38	2-3/8	175	143	34	22	53.5	18	80.8	5/8	5/8		HC212-38	FU212	10.12
HCFU212-39	2-7/16											HC212-39	FU212	10.12
HCFU213-65MM	65mm										5/8 M16	HC213-65MM	FU213	13.21
HCFU213-40	2-1/2	7-1/4	5-55/64	1-1/2	55/64	2-9/32	23/32	3-17/32	34.1	5/8		HC213-40	FU213	13.21
HCFU214-70MM	70mm										5/8 M16	HC214-70MM	FU214	14.09
HCFU214-44	2-3/4	7-13/32	5-63/64	1-1/2	29/32	2-21/64	23/32	3-17/32	34.1	5/8		HC214-44	FU214	14.09
HCFU215-75MM	75mm										5/8 M16	HC215-75MM	FU215	16.14
HCFU215-47	2-15/16	7-7/8	6-17/64	1-39/64	15/16	2-7/16	23/32	3-49/64	37.3	5/8		HC215-47	FU215	16.14
HCFU215-48	3	200	159	41	24	62	18	95.8	5/8	5/8		HC215-48	FU215	16.14

Dual seal standard. Triple seal optional (R3 suffix, i.e. HCFU205-16R3)

Flanges

SBF - Light Duty, Set Screw Locking



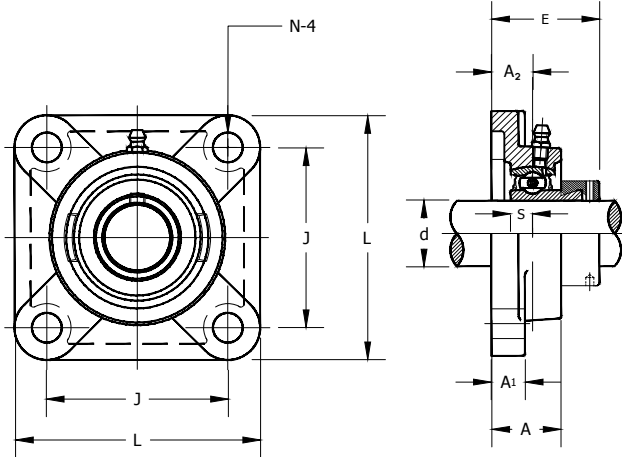
- Cast iron housing
- Wid inner ring bearing
- Dual seals (Type K)

Unit No.	Shaft Dia. d	Dimensions in mm								Bolt Size	Insert No.	Housing No.	Weight (lb)	
		L	J	A2	A1	A	N	E	S					
SBF201-12MMG	12mm										3/8 M10	SB201-12MMG	F203	0.88
SBF201-8G	1/2									SB201-8G				
SBF202-15MMG	15mm	3	2-1/8	19/32	7/16	7/16	1	1-5/16	0.5000	SB202-15MMG				
SBF202-10G	5/8	76	54	15	11	11.5	25.4	33.33	12.7	SB202-10G				
SBF203-17MMG	17mm									SB203-17MMG				
SBF204-20MMG	20mm	3-3/8	2-33/64	19/32	15/32	15/32	1	1-5/16	0.5000	5/16 M10	SB204-20MMG	F204	1.41	
SBF204-12G	3/4	86	64	15	12	12	25.4	33.3	12.7		SB204-12G			
SBF205-25MMG	25mm									7/16 M12	SB205-25MMG	F205	1.72	
SBF205-14G	7/8	3-3/4	2-3/4	5/8	35/64	15/32	1-1/16	1-13/32	0.5630		SB205-14G			
SBF205-15G	15/16	95	70	16	14	12	27	35.8	14.3		SB205-15G			
SBF205-16G	1										SB205-16G			
SBF206-30MMG	30mm										SB206-30MMG			
SBF206-18G	1-1/8	4-1/4	3-17/64	45/64	35/64	15/32	1-7/32	1-19/32	0.6260	7/16 M12	SB206-18G	F206	2.56	
SBF206-19G	1-3/16	108	83	18	14	12	31	40.2	15.9		SB206-19G			
SBF206-20G	1-1/4										SB206-20G			
SBF207-35MMG	35mm									1/2 M14	SB207-35MMG	F207	3.40	
SBF207-20G	1-1/4	4-39/64	3-5/8	3/4	5/8	35/64	1-11/32	1-3/4	0.6890		SB207-20G			
SBF207-21G	1-5/16	117	92	19	16	14	34	44.4	17.5		SB207-21G			
SBF207-22G	1-3/8										SB207-22G			
SBF207-23G	1-7/16										SB207-23G			
SBF208-40MMG	40mm	5-1/8	4-1/64	53/64	5/8	5/8	1-27/64	2-1/64	0.7480	1/2 M14	SB208-40MMG	F208	4.61	
SBF208-24G	1-1/2	130	102	21	16	16	36	51.2	19		SB208-24G			
SBF208-25G	1-9/16										SB208-25G			
SBF209-45MMG	45mm									1/2 M14	SB209-45MMG	F209	5.00	
SBF209-26G	1-5/8	5-13/32	4-9/64	55/64	23/32	5/8	1-1/2	2-1/16	0.7480		SB209-26G			
SBF209-27G	1-11/16	137	105	22	18	16	38	52.2	19		SB209-27G			
SBF209-28G	1-3/4										SB209-28G			
SBF210-50MMG	50mm	5-5/8	4-3/8	55/64	23/32	5/8	1-9/16	2-5/32	0.7480	5/8 M16	SB210-50MMG	F210	5.35	
SBF210-30G	1-7/8	143	111	22	18	16	40	54.6	19		SB210-30G			
SBF210-31G	1-15/16										SB210-31G			
SBF211-55MMG	55mm									5/8 M16	SB211-55MMG	F211	6.50	
SBF211-32G	2	6-3/8	5-1/8	63/64	25/32	3/4	1-11/16	2-5/16	0.8740		SB211-32G			
SBF211-34G	2-1/8	162	130	25	20	19	43	58.4	22.2		SB211-34G			
SBF211-35G	2-3/16										SB211-35G			
SBF212-60MMG	60mm									5/8 M16	SB212-60MMG	F212	8.50	
SBF212-36G	2-1/4	6-57/64	5-5/8	1-9/64	25/32	3/4	1-57/64	2-45/64	1.0000		SB212-36G			
SBF212-38G	2-3/8	175	143	29	20	19	48	68.7	25.4		SB212-38G			
SBF212-39G	2-7/16										SB212-39G			

Mounted Ball Bearing Units

Flanges

SAF Light Duty, Eccentric Locking Collar

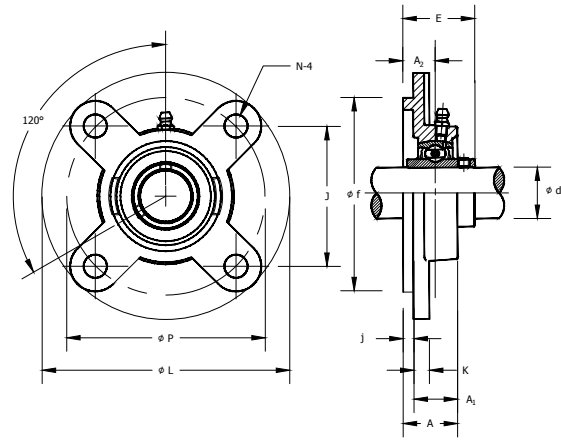


- Cast iron housing
- Narrow inner ring bearing
- Dual seals (Type K)

Unit No.	Shaft Dia. d	Dimensions in mm								Bolt Size	Insert No.	Housing No.	Weight (lb)	
		L	J	A2	A1	A	N	E	S					
SAF201-12MMG	12mm										SA201-12MMG	F203	1.30	
SAF201-8G	1/2										SA201-8G			
SAF202-15MMG	15mm	3	2-33/64	19/32	7/16	7/16	1	1-13/25	12.7	3/8 M10	SA202-15MMG			
SAF202-10G	5/8	76	64	15	11	11.5	25.4	38.6	3/8		SA202-10G			
SAF203-17MMG	17mm										SA203-17MMG			
SAF204-20MMG	20mm	3	2-33/64	19/32	7/16	7/16	1	1-13/25	12.7		3/8 M10	SA204-20MMG	F204	1.40
SAF204-12G	3/4	76	64	15	11	11.5	25.4	38.6	3/8			SA204-12G		
SAF205-25MMG	25mm									3/8 M10	SA205-25MMG	F205	1.72	
SAF205-14G	7/8	3-3/4	2-3/4	5/8	35/64	15/32	1-1/16	1-11/16	14.3		SA205-14G			
SAF205-15G	15/16	95	70	16	14	12	27	42.9	3/8		SA205-15G			
SAF205-16G	1										SA205-16G			
SAF206-30MMG	30mm										3/8 M10			SA206-30MMG
SAF206-18G	1-1/8	4-1/4	3-17/64	45/64	35/64	15/32	1-7/32	1-57/64	15.9	SA206-18G				
SAF206-19G	1-3/16	108	83	18	14	12	31	48.1	3/8	SA206-19G				
SAF206-20G	1-1/4									SA206-20G				
SAF207-35MMG	35mm									7/16 M12		SA207-35MMG	F207	3.40
SAF207-20G	1-1/4	4-39/64	3-5/8	3/4	5/8	35/64	1-11/32	2-1/64	17.5		SA207-20G			
SAF207-21G	1-5/16	117	92	19	16	14	34	51.3	7/16		SA207-21G			
SAF207-22G	1-3/8										SA207-22G			
SAF207-23G	1-7/16										SA207-23G			
SAF208-40MMG	40mm									1/2 M14	SA208-40MMG	F208	4.61	
SAF208-24G	1-1/2	5-1/8	4-1/64	53/64	5/8	5/8	1-27/64	2-13/64	19		SA208-24G			
SAF208-25G	1-9/16	130	102	21	16	16	36	55.9	1/2		SA208-25G			
SAF209-45MMG	45mm									1/2 M14	SA209-45MMG	F209	5.00	
SAF209-26G	1-5/8	5-13/32	4-9/64	55/64	23/32	5/8	1-1/2	2-15/64	19		SA209-26G			
SAF209-27G	1-11/16	137	105	22	18	16	38	56.9	1/2		SA209-27G			
SAF209-28G	1-3/4										SA209-28G			
SAF210-50MMG	50mm										5/8 M14			SA210-50MMG
SAF210-30G	1-7/8	5-5/8	4-3/8	55/64	23/32	5/8	1-9/16	2-23/64	19	SA210-30G				
SAF210-31G	1-15/16	143	111	22	18	16	40	60.1	5/8	SA210-31G				
SAF211-55MMG	55mm									5/8 M16	SA211-55MMG	F211	6.50	
SAF211-32G	2	6-3/8	5-1/8	63/64	25/32	3/4	1-11/16	2-45/64	22.2		SA211-32G			
SAF211-34G	2-1/8	162	130	25	20	19	43	68.6	5/8		SA211-34G			
SAF211-35G	2-3/16										SA211-35G			

Flanges

UCFC Standard Duty Set Screw Locking Type



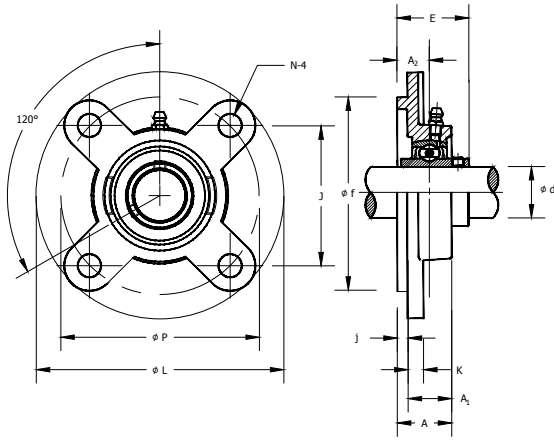
- Cast iron housing
- Wid inner ring bearing
- Dual seals (Type B)

Unit No.	Shaft Dia.	Dimensions in mm										Bolt Size	Insert No.	Housing No.	Weight (lb)		
	d	L	P	J	A2	N	j	K	A1	E	S						
UCFC201-12MM	12mm																1.61
UCFC201-8	1/2																1.59
UCFC202-15MM	15mm	3-15/16	3-5/64	2-11/64	25/64	15/32	13/64	9/32	13/16	1-1/8	0.5000						1.59
UCFC202-10	5/8	100	78	55.1	10	12	5	7	20.5	28.3	12.7						1.59
UCFC203-17MM	17mm																1.57
UCFC204-20MM	20mm																1.52
UCFC204-12	3/4																1.52
UCFC205-25MM	25mm																2.20
UCFC205-14	7/8	4-17/32	3-35/64	2-1/2	25/64	15/32	15/64	9/32	53/64	1-11/64	0.5630						2.27
UCFC205-15	15/16	115	90	63.6	10	12	6	7	21	29.8	14.3						2.23
UCFC205-16	1																2.20
UCFC206-30MM	30mm																2.87
UCFC206-17	1-1/16	4-59/64	3-15/16	2-25/32	25/64	15/32	5/16	5/16	29/32	1-17/64	0.6260						2.89
UCFC206-18	1-1/8	125	100	70.7	10	12	8	8	23	32.2	15.9						2.91
UCFC206-19	1-3/16																2.87
UCFC206-20	1-1/4																2.84
UCFC207-35MM	35mm																3.99
UCFC207-20	1-1/4																4.12
UCFC207-21	1-5/16	5-5/16	4-21/64	3-1/16	7/16	35/64	5/16	23/64	1-1/32	1-7/16	0.6890						4.06
UCFC207-22	1-3/8	135	110	77.8	11	14	8	9	26	36.4	17.5						3.99
UCFC207-23	1-7/16																3.92
UCFC208-40MM	40mm																4.72
UCFC208-24	1-1/2	5-45/64	4-23/32	3-11/32	7/16	35/64	25/64	23/64	1-1/32	1-5/8	0.7480						4.81
UCFC208-25	1-9/16	145	120	84.8	11	14	10	9	26	41.2	19						4.74
UCFC209-45MM	45mm																5.91
UCFC209-26	1-5/8	6-19/64	5-13/64	3-43/64	25/64	5/8	15/32	35/64	1-1/32	1-37/64	0.7480						6.13
UCFC209-27	1-11/16																6.04
UCFC209-28	1-3/4																5.95
UCFC210-50MM	50mm																6.39
UCFC210-31	1-15/16	6-1/2	5-7/16	3-27/32	25/64	5/8	15/32	35/64	1-7/64	1-11/16	0.7480						6.44
UCFC210-32	2	165	138	97.6	10	16	12	14	28	42.6	19						6.35
UCFC211-55MM	55mm																8.84
UCFC211-32	2																9.17
UCFC211-33	2-1/16	7-9/32	5-29/32	4-3/16	33/64	3/4	15/32	19/32	1-7/32	1-53/64	0.8740						9.04
UCFC211-34	2-1/8	185	150	106.1	13	19	12	15	31	46.4	22.2						8.93
UCFC211-35	2-3/16																8.80
UCFC212-60MM	60mm																10.89
UCFC212-36	2-1/4																11.18
UCFC212-37	2-5/16	7-11/16	6-19/64	4-29/64	43/64	3/4	15/32	19/32	1-27/64	2-15/64	1.0000						11.00
UCFC212-38	2-3/8	195	160	113.1	17	19	12	15	36	56.7	25.4						10.85
UCFC212-39	2-7/16																10.69
UCFC213-65MM	65mm																12.46
UCFC213-40	2-1/2	8-5/64	6-11/16	4-47/64	5/8	3/4	35/64	19/32	1-27/64	1-3/16	1.0000						12.65
UCFC214-70MM	70mm																15.32
UCFC214-42	2-5/8	8-15/32	6-31/32	4-59/64	43/64	3/4	35/64	23/32	1-37/64	1-13/32	1.1890						15.79
UCFC214-43	2-11/16	215	177	125.1	17	19	14	18	40	61.4	30.2						15.56
UCFC214-44	2-3/4																15.34
UCFC215-75MM	75mm																16.67
UCFC215-47	2-15/16	8-21/32	7-1/4	5-1/8	23/32	3/4	5/8	23/32	1-37/64	2-15/32	1.3110						16.73
UCFC215-48	3	220	184	130.1	18	19	16	18	40	62.5	33.3						16.47
UCFC216-80MM	80mm																20.17
UCFC216-50	3-1/8	9-29/64	7-7/8	5-9/16	23/32	29/32	5/8	23/32	1-21/32	2-21/32	1.3110						20.28
UCFC217-85MM	85mm																23.83
UCFC217-55	3-7/16	9-27/32	8-3/16	5-51/64	23/32	29/32	23/32	25/32	1-25/32	2-3/4	1.3430						23.37
UCFC218-90MM	90mm																28.57
UCFC218-56	3-1/2	10-7/16	8-21/32	6-1/8	55/64	29/32	23/32	25/32	1-31/32	3-3/32	1.5630						28.81

Mounted Ball Bearing Units

Flanges

UCFCSX Medium Duty Set Screw Locking Type



- Cast iron housing
- Wide inner ring bearing
- Dual seals (Type B)

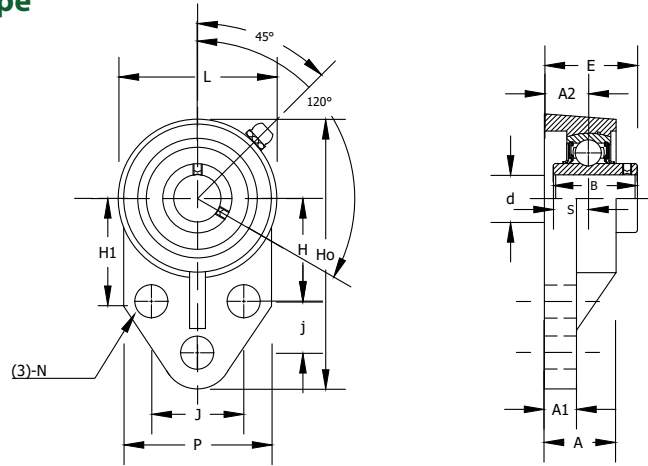
Unit No.	Shaft Dia.	Dimensions in mm											Bolt Size	Insert No.	Housing No.	Weight (lb)											
	d	L	P	J	A2	N	j	K	A1	f	E	S															
UCFCSX05-25MM	25mm	4-3/8	3-5/8	2-9/16	25/64	3/8	15/64	3/8	15/16	1-9/32	1.5	0.6260	5/16	UCX05-25MM	FCSX05	2.65											
UCFCSX05-16	1	111	92	65	10	9.5	6	9.5	24	76	38.1	15.9	M8	UCX05-16													
UCFCSX06-30MM	30mm	5	4-9/64	2-59/64	5/16	15/32	3/8	3/8	7/8	1-5/16	1.69	0.6890	3/8	UCX06-30MM	FCSX06	3.31											
UCFCSX06-18	1-1/8													127			105	74.2	8	12	9.5	9.5	22.5	85	42.9	17.5	UCX06-18
UCFCSX06-19	1-3/16													UCX06-19													
UCFCSX06-20	1-1/4													UCX06-20													
UCFCSX07-35MM	35mm	5-1/4	4-3/8	3-3/32	23/64	15/32	7/16	7/16	1-1/32	1-17/32	1.94	0.7480	3/8	UCX07-35MM	FCSX07	4.19											
UCFCSX07-21	1-5/16													133			111	78.5	9	12	11	11	26	92	19	UCX07-21	
UCFCSX07-22	1-3/8													UCX07-22													
UCFCSX07-23	1-7/16													UCX07-23													
UCFCSX08-40MM	40mm	5-1/4	4-3/8	3-3/32	23/64	15/32	7/16	7/16	1-1/32	1-17/32	1.94	0.7480	3/8	UCX08-40MM	FCSX08	4.41											
UCFCSX08-24	1-1/2													133			111	78.5	9	12	11	11	26	92	19	UCX08-24	
UCFCSX09-45MM	45mm	6-3/32	5-1/8	3-5/8	5/16	35/64	15/32	7/16	63/64	1-19/32	2.03	0.7480	7/16	UCX09-45MM	FCSX09	5.73											
UCFCSX09-26	1-5/8													155			130	91.9	8	14	12	11	25	108	51.6	19	UCX09-26
UCFCSX09-27	1-11/16													UCX09-27													
UCFCSX09-28	1-3/4													UCX09-28													
UCFCSX10-50MM	50mm	6-3/8	5-23/64	3-25/32	9/32	35/64	5/8	7/16	63/64	1-19/32	2.19	0.8740	7/16	UCX10-50MM	FCSX10	7.05											
UCFCSX10-30	1-7/8													162			136	96.2	7	14	16	11	25	118	55.6	22.2	UCX10-30
UCFCSX10-31	1-15/16													UCX10-31													
UCFCSX10-32	2													UCX10-32													
UCFCSX11-55MM	55mm	7-3/32	5-63/64	4-15/64	5/32	5/8	55/64	1/2	1-1/32	1-23/32	2.56	1.0000	1/2	UCX11-55MM	FCSX11	9.48											
UCFCSX11-34	2-1/8													180			152	107.5	4	16	22	13	26	127	65.1	25.4	UCX11-34
UCFCSX11-35	2-3/16													UCX11-35													
UCFCSX11-36	2-1/4													UC211-36													
UCFCSX12-60MM	60mm	7-5/8	6-1/2	4-19/32	7/16	5/8	25/32	9/16	1-5/16	2	2.56	1.0000	1/2	UCX12-60MM	FCSX12	11.68											
UCFCSX12-38	2-3/8													194			165	116.7	11	16	20	14	33	140	65.1	25.4	UCX12-38
UCFCSX12-39	2-7/16													UCX12-39													
UCFCSX13-65MM	65mm	7-5/8	6-1/2	4-19/32	7/16	5/8	25/32	9/16	1-5/16	2-3/16	2.94	1.1890	1/2	UCX13-65MM	FCSX13	12.57											
UCFCSX13-40	2-1/2													194			165	116.7	11	16	20	14	33	140	74.6	30.2	UCX13-40
UCFCSX14-70MM	70mm	8-3/4	7-31/64	5-9/32	35/64	3/4	25/32	9/16	1-13/32	2-5/16	3.06	1.3110	5/8	UCX14-70MM	FCSX14	16.09											
UCFCSX14-43	2-11/16													222			190	134.3	14	19	20	14	36	164	77.8	33.3	UCX14-43
UCFCSX14-44	2-3/4													UCX14-44													
UCFCSX15-75MM	75mm	8-3/4	7-31/64	5-9/32	15/32	3/4	55/64	5/8	1-3/8	2-13/32	3.25	1.3110	5/8	UCX57-75MM	FCSX15	17.64											
UCFCSX15-47	2-15/16													222			190	134.3	12	19	22	16	35	164	82.6	33.3	UCX15-47
UCFCSX15-48	3													UCX15-48													

Flanges

UCFB Standard Duty Set Screw Locking Collar Type



- Cast iron housing
- Wid inner ring bearing
- Dual seals (Type B)

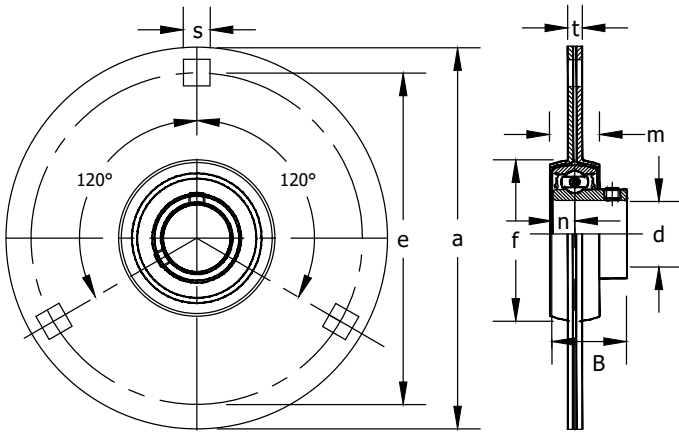


Unit No.	Shaft Dia.	Dimensions in mm											Bolt Size	Insert No.	Housing No.	Weight (lb)	
	d	H0	L	P	A	A1	N	H	j	J	E	S					
UCFB201-12MMA	12mm													5/16 M8	UC201-12MM	FB204A	1.28
UCFB201-8A	1/2												UC201-8		1.26		
UCFB202-15MMA	15mm												UC202-15MM		1.26		
UCFB202-10A	5/8	4-1/4	2-1/2	2-3/8	1	1/2	5/16	1-11/16	7/8	1-1/2	1.347	5/8	5/16		UC202-10		1.26
UCFB203-17MMA	17mm	108	63.5	60.3	25.4	12.7	8	42.9	22.2	38.1	34.2	15.9	5/16		UC203-17MM		1.23
UCFB203-11A	11/16														UC203-11		1.21
UCFB204-20MMA	20mm														UC204-20MM		1.19
UCFB204-12A	3/4														UC204-12		1.19
UCFB205-25MMA	25mm													5/16 M8	UC205-25MM	FB205A	1.74
UCFB205-14A	7/8	4-3/4	2-3/4	2-1/2	1-5/64	1/2	3/8	1-13/16	1-1/8	1-5/8	1.433	21/32	5/16		UC205-14		1.81
UCFB205-15A	15/16	120.7	69.9	63.5	27.2	12.7	9.5	46	28.6	41.3	36.4	16.7	5/16		UC205-15		1.76
UCFB205-16A	1														UC205-16		1.74
UCFB206-30MMA	30mm													5/16 M8	UC206-30MM	FB206A	2.09
UCFB206-17A	1-1/16														UC206-17		2.16
UCFB206-18A	1-1/8	5-3/8	3-1/4	2-3/4	1-7/64	1/2	3/8	2-1/16	1-1/4	1-7/8	1.610	47/64	5/16		UC206-18		2.14
UCFB206-19A	1-3/16	136.5	82.6	69.9	28.2	12.7	9.5	52.4	31.8	47.6	40.9	18.7	5/16		UC206-19		2.09
UCFB206-20A	1-1/4														UC206-20		2.07
UCFB207-35MMA	35mm													7/16 M10	UC207-35MM	FB207A	2.84
UCFB207-20A	1-1/4														UC207-20		2.98
UCFB207-21A	1-5/16	6-1/8	3-3/4	3-1/4	1-1/4	19/32	1/2	2-3/8	1-1/4	2	1.827	53/64	7/16		UC207-21		2.91
UCFB207-22A	1-3/8	155.6	95.3	82.6	32	15	12.7	60.3	31.8	50.8	46.4	21	7/16		UC207-22		2.84
UCFB207-23A	1-7/16														UC207-23		2.78
UCFB208-40MMA	40mm													3/8 M10	UC208-40MM	FB208A	3.92
UCFB208-24A	1-1/2	6-15/32	3-15/16	3-1/16	1-13/32	5/8	5/8	2-3/8	1-5/8	1-31/32	2.016	53/64	3/8		UC208-24		4.01
UCFB208-25A	1-9/16	164.3	100	77.8	35.7	15.9	15.9	60.3	41.3	50	51.2	21	3/8		UC208-25		3.95
UCFB209-45MMA	45mm													3/8 M10	UC209-45MM	FB209A	4.21
UCFB209-26A	1-5/8	6-27/32	4-3/16	3-5/32	1-1/2	23/32	23/32	2-9/16	1-11/16	2-1/8	2.016	53/64	3/8		UC209-26		4.43
UCFB209-27A	1-11/16	173.9	106.4	80.2	38	18	18.3	65.1	42.9	54	51.2	21	3/8		UC209-27		4.34
UCFB209-28A	1-3/4														UC209-28		4.25
UCFB210-50MMA	50mm													7/16 M10	UC210-50MM	FB210A	5.20
UCFB210-30A	1-7/8	7-1/2	4-5/8	4	1-1/2	23/32	1/2	2-15/16	1-5/8	2-3/4	2.110	53/64	7/16		UC210-30		5.36
UCFB210-31A	1-15/16	190.5	117.5	101.6	38	18	12.7	74.6	41.3	69.9	53.6	21	7/16		UC210-31		5.25
UCFB210-32A	2														UC210-32		5.16

Mounted Ball Bearing Units

Round Flange Units

SBPF Light Duty, Eccentric Locking Collar

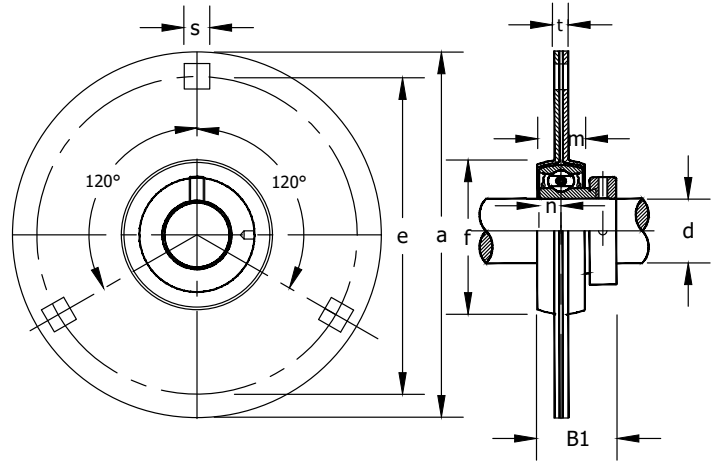


- Zinc plated stamped steel housing
- Narrow inner ring bearing
- Dual seals (Type K)

Unit No.	Shaft Dia.	Dimensions in mm								Bolt Size	Insert No.	# Bolt Holes	Housing No.	Weight (lb)	
		d	a	e	m	t	S	f	B						n
SBPF201-12MM	12mm										1/4 M6	SB201-12MM	3	PF203	0.60
SBPF201-8	1/2									SB201-8					
SBPF202-15MM	15mm	3-3/16	2-1/2	9/16	5/32	9/32	1-15/16	.866	.256	SB202-15MM					
SBPF202-10	5/8	81	64	14	4	7	49	22	6.5	SB202-10					
SBPF203-17MM	17mm										5/16 M8	SB203-17MM	3	PF204	0.66
SBPF203-11	11/16									SB203-11					
SBPF204-12	3/4	90	2-13/16	5/8	5/32	11/32	2-3/16	.984	.295	SB204-12					
SBPF204-20MM	20mm	3-9/16	71	16	4	9	56	25	7.5	SB204-20MM					
SBPF205-14	7/8										5/16 M8	SB205-14	3	PF205	0.85
SBPF205-15	15/16	3-3/4	3	23/32	5/32	11/32	2-3/8	1.063	.295	SB205-15					
SBPF205-16	1	95	76	18	4	9	60	27	7.5	SB205-16					
SBPF205-25MM	25mm										3/8 M10	SB205-25MM	3	PF206	1.36
SBPF206-18	1-1/8									SB206-18					
SBPF206-19	1-3/16	4-7/16	3-9/16	23/32	7/32	7/16	2-13/16	1.181	.354	SB206-19					
SBPF206-20	1-1/4	113	90	18	5.2	11	71	30	9	SB206-20					
SBPF206-30MM	30mm										3/8 M10	SB206-30MM	3	PF207	1.80
SBPF207-20	1-1/4									SB207-20					
SBPF207-21	1-5/16	4-13/16	3-15/16	25/32	7/32	7/16	3-3/16	1.26	.374	SB207-21					
SBPF207-22	1-3/8	122	100	20	5.2	11	81	32	9.5	SB207-22					
SBPF207-23	1-7/16										1/2 M14	SB207-23	4	PF208	2.42
SBPF207-35MM	35mm									SB207-35MM					
SBPF208-24	1-1/2	5-13/16	4-11/16	13/16	9/32	17/32	3-9/16	1.33	.430	SA208-24					
SBPF208-25	1-9/16	148	119	21	7.2	13	90	34	11	SA208-25					
SBPF208-40MM	40mm										SA208-40MM				

Round Flange Units

SAPF Light Duty, Eccentric Locking Collar



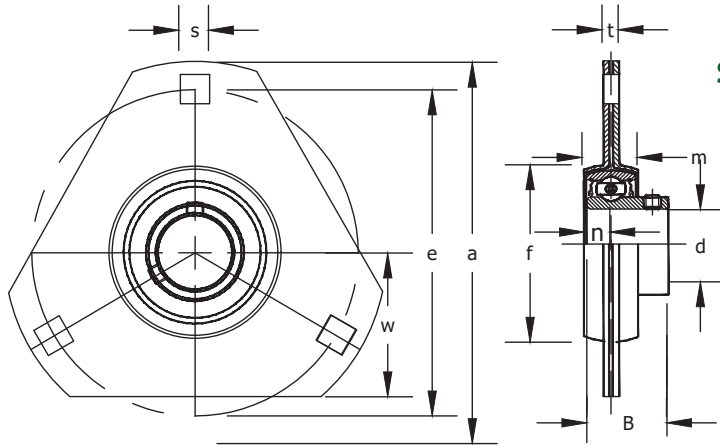
- Zinc plated stamped steel housing
- Narrow inner ring bearing
- Dual seals (Type K)

Unit No.	Shaft Dia.	Dimensions in mm								Bolt Size	Insert No.	# Bolt Holes	Housing No.	Weight (lb)
	d	a	e	m	t	S	f	B1	n					
SAPF201-12MM	12mm										SA201-12MM	3	PF203	0.64
SAPF201-8	1/2													
SAPF202-15MM	15mm	3-3/16	2-1/2	9/16	5/32	9/32	1-15/16	1.126	.256	1/4 M6	SA202-15MM	3	PF203	0.64
SAPF202-10	5/8	81	64	14	4	7	49	28.6	6.5					
SAPF203-17MM	17mm									1/4 M6	SA203-17MM	3	PF203	0.64
SAPF203-11	11/16													
SAPF204-12	3/4	90	71	16	4	9	56	31	7.5	M8 5/16	SA204-12	3	PF204	0.68
SAPF204-20MM	20mm	3-9/16	2-13/16	5/8	5/32	11/32	2-3/16	1.220	.295					
SAPF205-14	7/8									5/16 M8	SA205-14	3	PF205	0.90
SAPF205-15	15/16	3-3/4	3	23/32	5/32	11/32	2-3/8	1.220	.295					
SAPF205-16	1	95	76	18	4	9	60	31	7.5	5/16 M8	SA205-16	3	PF205	0.90
SAPF205-25MM	25mm													
SAPF206-18	1-1/8									3/8 M10	SA206-18	3	PF206	1.50
SAPF206-19	1-3/16	4-7/16	3-9/16	23/32	7/32	7/16	2-13/16	1.406	.354					
SAPF206-20	1-1/4	113	90	18	5.2	11	71	35.7	9	3/8 M10	SA206-20	3	PF206	1.50
SAPF206-30MM	30mm													
SAPF207-20	1-1/4									3/8 M10	SA207-20	3	PF207	1.90
SAPF207-21	1-5/16	4-13/16	3-15/16	25/32	7/32	7/16	3-3/16	1.531	.374					
SAPF207-22	1-3/8	122	100	20	5.2	11	81	38.9	9.5	3/8 M10	SA207-22	3	PF207	1.90
SAPF207-23	1-7/16													
SAPF207-35MM	35mm									3/8 M10	SA207-35MM	3	PF207	1.90
SAPF208-24	1-1/2													
SAPF208-25	1-9/16	5-13/16	4-11/16	17/32	17/64	17/32	3-37/64	1.7205	.4331	1/2 M12	SA208-25	4	PF208	2.50
SAPF208-40MM	40mm	148	119	13.5	6.8	13.5	91	43.7	11					
SAPF209-26	1-5/8									1/2 M12	SA209-26	4	PF209	2.60
SAPF209-27	1-11/16	5-29/32	4-3/4	17/32	17/64	17/32	3-55/64	1.7205	.4331					
SAPF209-28	1-3/4	150	120.5	13.5	6.8	13.5	98	43.7	11	1/2 M12	SA209-28	4	PF209	2.60
SAPF209-45MM	45mm													
SAPF210-30	1-7/8									1/2 M12	SA210-30	4	PF210	2.95
SAPF210-31	1-15/16	6-3/16	5	17/32	5/16	17/32	4	1.7205	.4331					
SAPF210-50MM	50mm	157	127	13.5	8	13.5	102	43.7	11	1/2 M12	SA210-50MM	4	PF210	2.95

Mounted Ball Bearing Units

Triangle Flange Units

SBPFT and SAPFT Light Duty, Set Screw Locking



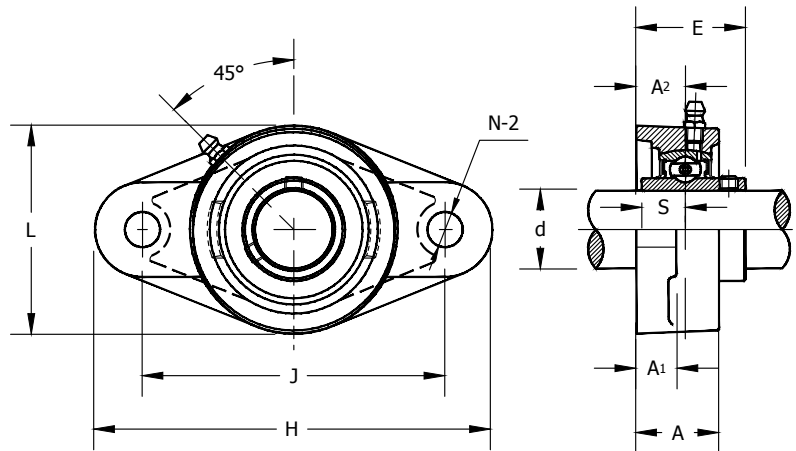
- Zinc plated stamped steel housing
- Narrow inner ring bearing
- Dual seals (Type K)

Unit No.	Shaft Dia.	Dimensions in mm									Bolt Size	Insert No.	Housing No.	Weight (lb)					
		d	a	e	w	m	t	S	f	B					n				
SBPFT201-12MM	12mm												1/4 M6	SB201-12MM	PFT203	0.60			
SBPFT201-8	1/2																SB201-8		
SBPFT202-15MM	15mm	3-3/16	2-1/2	1-1/8	9/16	5/32	9/32	1-15/16	.866	.256								SB202-15MM	
SBPFT202-10	5/8	81	64	28.5	14	4	7	49	22	6.5									SB202-10
SBPFT203-17MM	17mm																		
SBPFT203-11	11/16												SB203-11						
SBPFT204-12	3/4	90	71	33	16	4	9	56	25	7.5	M8	5/16	SB204-12	PFT204	0.66				
SBPFT204-20MM	20mm	3-9/16	2-13/16	1-5/16	5/8	5/32	11/32	2-3/16	.984	.295			SB204-20MM						
SBPFT205-13	13/16												5/16 M8	SB205-13	PFT205	0.84			
SBPFT205-14	7/8																SB205-14		
SBPFT205-15	15/16	3-3/4	3	1-3/8	23/32	5/32	11/32	2-3/8	1.063	.295								SB205-15	
SBPFT205-16	1	95	76	35	18	4	9	60	27	7.5									SB205-16
SBPFT205-25MM	25mm																		
SBPFT206-17	1-1/16												3/8 M10	SB206-17	PFT206	1.36			
SBPFT206-18	1-1/8																SB206-18		
SBPFT206-19	1-3/16	4-7/16	3-9/16	1-37/64	23/32	7/32	7/16	2-13/16	1.181	.354								SB206-19	
SBPFT206-20	1-1/4	113	90	40	18	5.2	11	71	30	9									SB206-20
SBPFT206-30MM	30mm																		
SBPFT207-20	1-1/4												3/8 M10	SB207-20	PFT207	1.80			
SBPFT207-21	1-5/16																SB207-21		
SBPFT207-22	1-3/8	4-13/16	3-15/16	1-3/4	25/32	7/32	7/16	3-3/16	1.26	.374								SB207-22	
SBPFT207-23	1-7/16	122	100	44.5	20	5.2	11	81	32	9.5									SB207-23
SBPFT207-35MM	35mm																		

Unit No.	Shaft Dia.	Dimensions in mm									Bolt Size	Insert No.	Housing No.	Weight (lb)					
		d	a	e	w	m	t	S	f	B1					n				
SAPFT201-12MM	12mm												1/4 M6	SA201-12MM	PFT203	0.64			
SAPFT201-8	1/2																SA201-8		
SAPFT202-15MM	15mm	3-3/16	2-1/2	1-1/8	9/16	5/32	9/32	1-15/16	1.126	.256								SA202-15MM	
SAPFT202-10	5/8	81	64	28.5	14	4	7	49	28.6	6.5									SA202-10
SAPFT203-17MM	17mm																		
SAPFT203-11	11/16												SA203-11						
SAPFT204-12	3/4	90	71	33	16	4	9	56	31	7.5	M8	5/16	SA204-12	PFT204	0.68				
SAPFT204-20MM	20mm	3-9/16	2-13/16	1-5/16	5/8	5/32	11/32	2-3/16	1.220	.295			SA204-20MM						
SAPFT205-13	13/16												5/16 M8	SA205-13	PFT205	0.90			
SAPFT205-14	7/8																SA205-14		
SAPFT205-15	15/16	3-3/4	3	1-3/8	23/32	5/32	11/32	2-3/8	1.220	.295								SA205-15	
SAPFT205-16	1	95	76	35	18	4	9	60	31	7.5									SA205-16
SAPFT205-25MM	25mm																		
SAPFT206-17	1-1/16												3/8 M10	SA206-17	PFT206	1.47			
SAPFT206-18	1-1/8																SA206-18		
SAPFT206-19	1-3/16	4-7/16	3-9/16	1-37/64	23/32	7/32	7/16	2-13/16	1.406	.354								SA206-19	
SAPFT206-20	1-1/4	113	90	40	18	5.2	11	71	35.7	9									SA206-20
SAPFT206-30MM	30mm																		
SAPFT207-20	1-1/4												3/8 M10	SA207-20	PFT207	1.91			
SAPFT207-21	1-5/16																SA207-21		
SAPFT207-22	1-3/8	4-13/16	3-15/16	1-3/4	25/32	7/32	7/16	3-3/16	1.531	.374								SA207-22	
SAPFT207-23	1-7/16	122	100	44.5	20	5.2	11	81	38.9	9.5									SA207-23
SAPFT207-35MM	35mm																		

Flanges

UCFL Standard Duty Set Screw Locking Type



- Cast iron housing
- Wide inner ring bearing
- Dual seals (Type B)

Unit No.	Shaft Dia.	Dimensions in mm									Bolt Size	Insert No.	Housing No.	Weight (lb)											
	d	H	J	A2	A1	N	A	L	E	S															
UCFL201-8S	1/2	3-29/32 99	3 76	19/32 15	7/16 11	7/16 11	1 25.4	2-1/4 57	1-7/32 31	3/8 11	3/8 M10	UC201-8S	FL203	0.99											
UCFL202-10S	5/8											UC202-10S		0.99											
UCFL201-12MM	12mm	4-7/16 113	3-35/64 90	19/32 15	7/16 11	15/32 12	1 25.4	2-3/8 60	1-5/16 33.3	3/8 12.7	3/8 M10	UC201-12MM	FL204	0.99											
UCFL201-8	1/2											UC201-8		0.97											
UCFL202-15MM	15mm											UC202-15MM		0.97											
UCFL202-10	5/8											UC202-10		0.97											
UCFL203-17MM	17mm											UC203-17MM		0.95											
UCFL203-11	11/16											UC203-11		0.93											
UCFL204-20MM	20mm											UC204-20MM		0.90											
UCFL204-12	3/4											UC204-12		0.90											
UCFL205-25MM	25mm											5-1/8 130		3-57/64 99	5/8 16	1/2 13	7/16 11.5	1-1/16 27	2-11/16 68	1-13/32 35.8	3/8 14.3	3/8 M10	UC205-25MM	FL205	1.28
UCFL205-13	13/16																						UC205-13		1.36
UCFL205-14	7/8	UC205-14	1.34																						
UCFL205-15	15/16	UC205-15	1.30																						
UCFL205-16	1	UC205-16	1.28																						
UCFL206-30MM	30mm	5-13/16 148	4-39/64 117	45/64 18	1/2 13	7/16 11.5	1-7/32 31	3-5/32 80	1-19/32 40.2	3/8 15.9	3/8 M10	UC206-30MM	FL206	1.90											
UCFL206-17	1-1/16											UC206-17		1.96											
UCFL206-18	1-1/8											UC206-18		1.94											
UCFL206-19	1-3/16											UC206-19		1.90											
UCFL206-20	1-1/4											UC206-20		1.87											
UCFL207-35MM	35mm	6-11/32 161	5-1/8 130	3/4 19	35/64 14	5/8 16	1-11/32 34	3-35/64 90	1-3/4 44.4	1/2 17.5	1/2 M14	UC207-35MM	FL207	2.38											
UCFL207-20	1-1/4											UC207-20		2.51											
UCFL207-21	1-5/16											UC207-21		2.45											
UCFL207-22	1-3/8											UC207-22		2.38											
UCFL207-23	1-7/16											UC207-23		2.31											
UCFL208-40MM	40mm	6-7/8 175	5-43/64 144	53/64 21	35/64 14	5/8 16	1-13/32 36	3-15/16 100	2-1/64 51.2	3/4 19	1/2 M14	UC208-40MM	FL208	3.17											
UCFL208-24	1-1/2											UC208-24		3.26											
UCFL208-25	1-9/16											UC208-25		3.20											

Chart continues on next page

Mounted Ball Bearing Units

Flanges

UCFL Standard Duty Set Screw Locking Type



DUAL SEAL (B-Type)



TRIPLE LIP SEAL (R3-Type)

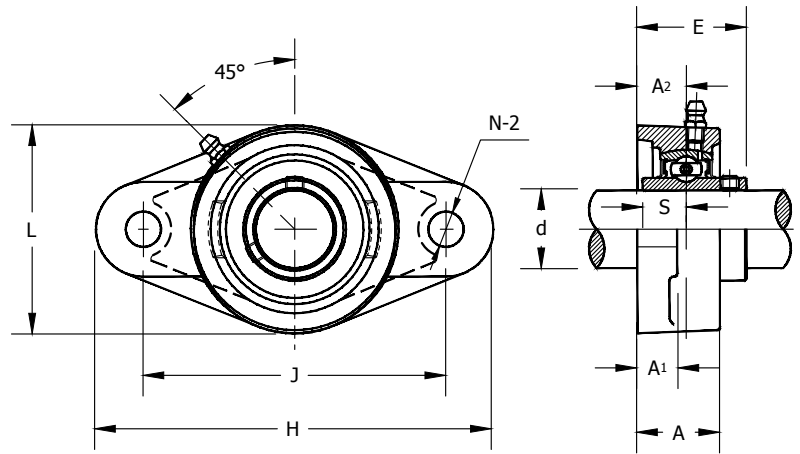


Unit No.	Shaft Dia.	Dimensions <small>in mm</small>									Bolt Size	Insert No.	Housing No.	Weight (lb)	
		d	H	J	A2	A1	N	A	L	E					S
UCFL209-45MM	45mm											5/8 M16	UC209-45MM	FL209	3.84
UCFL209-26	1-5/8	7-13/32	5-53/64	55/64	19/32	3/4	1-1/2	4-1/4	2-1/16	5/8	UC209-26		4.06		
UCFL209-27	1-11/16	188	148	22	15	19	38	108	52.2	19	UC209-27		3.97		
UCFL209-28	1-3/4										UC209-28		3.88		
UCFL210-50MM	50mm										5/8 M16	UC210-50MM	FL210	4.63	
UCFL210-29	1-13/16											UC210-29		4.89	
UCFL210-30	1-7/8	7-3/4	6-3/16	55/64	19/32	3/4	1-37/64	4-17/32	2-5/32	5/8		UC210-30		4.78	
UCFL210-31	1-15/16	197	157	22	15	19	40	115	54.6	19		UC210-31		4.67	
UCFL210-32	2											UC210-32		4.59	
UCFL211-55MM	55mm										5/8 M16	UC211-55MM	FL211	6.42	
UCFL211-32	2	8-13/16	7-1/4	63/64	23/32	3/4	1-11/16	5-1/8	2-5/16	5/8		UC211-32		6.75	
UCFL211-34	2-1/8	224	184	25	18	19	43	130	58.4	22.2		UC211-34		6.50	
UCFL211-35	2-3/16											UC211-35		6.37	
UCFL212-60MM	60mm										3/4 M20	UC212-60MM	FL212	8.25	
UCFL212-36	2-1/4	9-27/32	7-61/64	1-9/64	23/32	29/32	1-7/8	5-1/2	2-23/32	3/4		UC212-36		8.53	
UCFL212-38	2-3/8	250	202	29	18	23	48	140	68.7	25.4		UC212-38		8.20	
UCFL212-39	2-7/16											UC212-39		8.05	
UCFL213-65MM	65mm	10-5/32	8-17/64	1-3/16	7/8	29/32	1-31/32	6-3/32	2-3/4	3/4	3/4 M20	UC213-65MM	FL213	10.08	
UCFL213-40	2-1/2	258	210	30	22	23	50	155	69.7	25.4		UC213-40		10.27	
UCFL214-70MM	70mm	10-7/16	8-1/2	1-7/32	7/8	29/32	2-1/8	6-5/16	2-31/32	3/4	3/4 M20	UC214-70MM	FL214	11.27	
UCFL214-44	2-3/4	265	216	31	22	23	54	160	75.4	30.2		UC214-44		11.29	
UCFL215-75MM	75mm										3/4 M20	UC215-75MM	FL215	11.84	
UCFL215-47	2-15/16	10-13/16	8-55/64	1-11/32	7/8	29/32	2-7/32	6-1/2	3-3/32	3/4		UC215-47		11.90	
UCFL215-48	3	275	225	34	22	23	56	165	78.5	33.3		UC215-48		11.64	
UCFL216-80MM	80mm	11-13/32	9-3/16	1-11/32	7/8	63/64	2-7/25	7-3/32	3-7/25	33.3	7/8	UC216-80MM	FL216	15.87	
UCFL217-85MM	85mm	12	9-49/64	1-27/64	15/16	63/64	2-15/32	7-15/32	3-7/16	7/8	7/8 M22	UC217-85MM	FL217	18.98	
UCFL217-52	3-1/4	305	248	36	24	25	63	190	87.6	34.1		UC217-52		19.47	
UCFL218-90MM	90mm	12-19/32	10-7/16	1-37/64	15/16	63/64	2-11/16	8-1/16	3-25/32	7/8	7/8 M22	UC218-90MM	FL218	23.17	
UCFL218-56	3-1/2	320	265	40	24	25	68	205	96.3	39.7		UC218-56		23.41	

Dual seal standard. Triple seal optional (R3 suffix, i.e. UCFL205-16R3)

Flanges

UCFLX Medium Duty, 2 Bolt Flange, Set Screw



- Cast iron housing
- Wide inner ring bearing
- Dual seals (Type B)

Unit No.	Shaft Dia.	Dimensions in mm									Bolt Size	Insert No.	Housing No.	Weight (lb)	
		d	H	J	A2	A1	A	N	E	L					S
UCFLX05-25MM	25mm											3/8 M10	UCX05-25MM	FL206	2.20
UCFLX05-13	13/16										UCX05-13		2.20		
UCFLX05-14	7/8	5-9/16 141	4-39/64 117	45/64 18	1/2 13	1-3/16 30	15/32 12	1-37/64 40.2	3-5/32 80	0.6260 15.9	UCX05-14		2.20		
UCFLX05-15	15/16										UCX05-15		2.20		
UCFLX05-16	1										UCX05-16		2.20		
UCFLX06-30MM	30mm										1/2 M14	UCX06-30MM	FL207	3.31	
UCFLX06-17	1-1/16											UCX06-17		3.31	
UCFLX06-18	1-1/8	6-5/32 156	5-1/8 130	3/4 19	19/32 15	1-11/32 34	5/8 16	1-3/4 44.4	3-35/64 90	0.6890 17.5		UCX06-18		3.31	
UCFLX06-19	1-3/16											UCX06-19		3.31	
UCFLX06-20	1-1/4											UCX06-20		3.31	
UCFLX07-35MM	35mm										1/2 M14	UCX07-35MM	FL208	4.41	
UCFLX07-21	1-5/16	6-23/32 171	5-43/64 144	53/64 21	5/8 16	1-1/2 38	5/8 16	2-1/64 51.2	3-15/16 100	0.7480 19		UCX07-21		4.41	
UCFLX07-22	1-3/8											UCX07-22		4.41	
UCFLX07-23	1-7/16											UCX07-23		4.41	
UCFLX08-40MM	40mm										1/2 M14	UCX08-40MM	FL209	4.85	
UCFLX08-24	1-1/2	7-1/16 179	5-53/64 148	55/64 22	5/8 16	1-9/16 40	5/8 16	2-1/16 52.2	4-1/4 108	0.7480 19		UCX08-24		4.85	
UCFLX08-25	1-9/16											UCX08-25		4.85	
UCFLX09-45MM	45mm										1/2 M14	UCX09-45MM	FL210	5.29	
UCFLX09-26	1-5/8											UCX09-26		5.29	
UCFLX09-27	1-11/16	7-7/16 189	6-3/16 157	29/32 23	5/8 16	1-37/64 40	5/8 16	2-3/16 55.6	4-17/32 115	0.7480 19		UCX09-27		5.29	
UCFLX09-28	1-3/4											UCX09-28		5.29	
UCFLX09-29	1-13/16											UCX09-29		5.29	
UCFLX10-50MM	50mm										5/8 M16	UCX10-50MM	FL211	7.50	
UCFLX10-30	1-7/8	8-1/2 216	7-1/4 184	1-1/32 26	23/32 18	1-23/32 44	3/4 19	2-11/32 59	5-1/8 130	0.8740 22		UCX10-30		7.50	
UCFLX10-31	1-15/16											UCX10-31		7.50	
UCFLX10-32	2											UCX10-32		7.50	

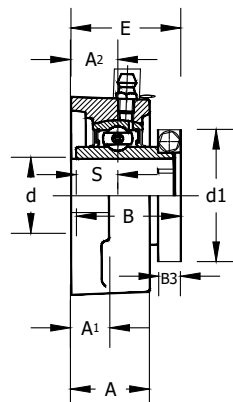
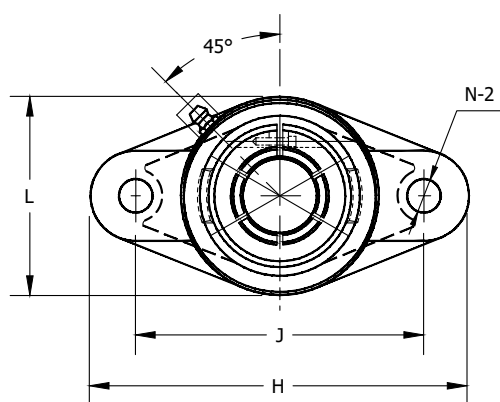
Mounted Ball Bearing Units

Flanges

UCFL..T Standard Duty Premere-LOC (Concentric Collar Locking)

Premere-LOC mounted units provide quieter, smoother and more efficient operation, especially under higher radial loads. The concentric locking collar provides a uniform grip to the inner ring leading to an operational true centerline, reducing vibration at higher speeds. As well, the concentric locking force significantly reduces the chance of damaging the shaft.

These one-step easy installation units are ideal for bi-directional applications and can replace both set screw locking and eccentric collar locking bearings.

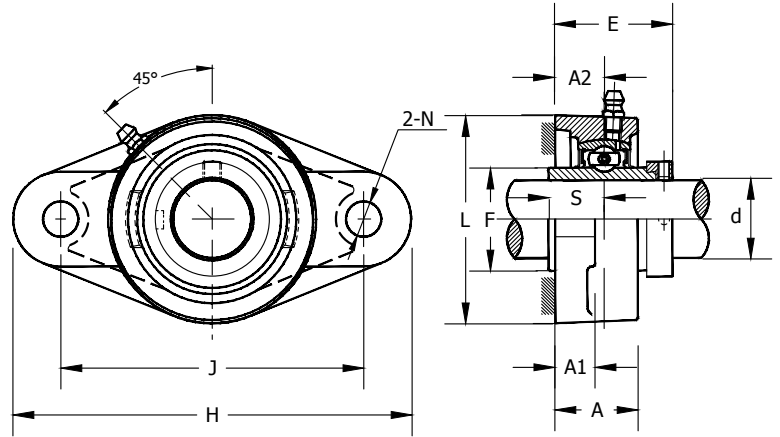


- Cast iron housing
- Wide inner ring bearing
- Dual seals (Type B)

Unit No.	Shaft Dia.	Dimensions in mm									Bolt Size	Insert No.	Housing No.	Weight (lb)
	d	H	J	A2	A1	N	A	L	E	S				
UCFL204-20MMT	20mm	4-7/16	3-35/64	19/32	7/16	15/32	1	2-3/8	1-7/16	12.7	3/8 M10	UC204-20MMT	FL204	0.90
UCFL204-12T	3/4	113	90	15	11	12	25.5	60	35.8	3/8		UC204-12T		0.90
UCFL205-25MMT	25mm	5-1/8 130	3-57/64 99	5/8 16	1/2 13	7/16 11.5	1-1/16 27	2-11/16 68	1-1/2 38.1	14.3 3/8	3/8 M10	UC205-25MMT	FL205	1.28
UCFL205-14T	7/8											UC205-14T		1.34
UCFL205-16T	1											UC205-16T		1.28
UCFL206-30MMT	30mm	5-13/16	4-39/64	45/64	1/2	7/16	1-7/32	3-5/32	1-5/8	15.9	3/8 M10	UC206-30MMT	FL206	1.90
UCFL206-19T	1-3/16	148	117	18	13	11.5	31	80	42.1	3/8		UC206-19T		1.90
UCFL206-20T	1-1/4											UC206-20T		1.87
UCFL207-35MMT	35mm	6-11/32 161	5-1/8 130	3/4 19	35/64 14	5/8 16	1-11/32 34	3-35/64 90	1-13/16 46.04	17.5 1/2	1/2 M14	UC207-35MMT	FL207	2.38
UCFL207-20T	1-1/4											UC207-20T		2.51
UCFL207-23T	1-7/16											UC207-23T		2.31
UCFL208-40MMT	40mm	6-7/8	5-43/64	53/64	35/64	5/8	1-13/32	3-15/16	2-5/16	19	1/2 M14	UC208-40MMT	FL208	3.17
UCFL208-24T	1-1/2	175	144	21	14	16	36	100	59.07	1/2		UC208-24T		3.26
UCFL209-45MMT	45mm	7-13/32 188	5-53/64 148	55/64 22	19/32 15	3/4 19	1-1/2 38	4-1/4 108	2-1/8 54	19 5/8	5/8 M16	UC209-45MMT	FL209	3.84
UCFL209-27T	2-11/16											UC209-27T		3.97
UCFL210-50MMT	50mm	7-3/4 197	6-3/16 157	55/64 22	19/32 15	3/4 19	1-37/64 40	4-17/32 115	2-7/32 56.4	19 5/8	5/8 M16	UC210-50MMT	FL210	4.63
UCFL210-31T	1-15/16											UC210-31T		4.67
UCFL210-32T	2											UC210-32T		4.59

Flanges

HCFLU Medium Duty Eccentric Locking Collar Type



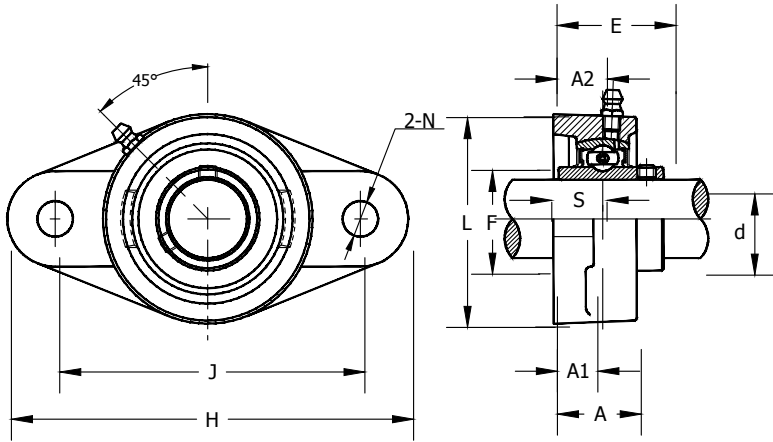
- Cast iron housing
- Wide inner ring bearing
- Dual seals (Type B)
- FLU deep pocket housing

Unit No.	Shaft Dia.	Dimensions in mm							Bolt Size	Insert No.	Housing No.	Weight (lb)
	d	H	J	A1	S	A	N	L				
HCFLU204-20MM	20MM	4-7/16	3-17/32	3/4	19/32	1-5/32	15/32	2-3/8	3/8 M10	HC204-20MM	FLU204	1.39
HCFLU204-12	3/4	113	90	19	15	29.5	12	60		HC204-12		1.39
HCFLU205-25MM	25MM	4-27/32 123	3-29/32 99	3/4 19	19/32 15	1-3/16 30	15/32 12	2-11/16 68	3/8 M10	HC205-25MM	FLU205	1.76
HCFLU205-13	13/16									HC205-13		1.76
HCFLU205-14	7/8									HC205-14		1.76
HCFLU205-15	15/16									HC205-15		1.76
HCFLU205-16	1									HC205-16		1.76
HCFLU206-30MM	30MM	5-9/32 142	4-19/32 116.5	25/32 20	5/8 16	1-9/32 32.5	15/32 12	3-5/32 80	3/8 M10	HC206-30MM	FLU206	2.65
HCFLU206-17	1-1/16									HC206-17		2.65
HCFLU206-18	1-1/8									HC206-18		2.65
HCFLU206-19	1-3/16									HC206-19		2.65
HCFLU206-20	1-1/4									HC206-20		2.65
HCFLU207-35MM	35MM	6-7/32 158	5-1/8 130	13/16 21	21/32 17	1-13/32 36	9/16 14	3-17/32 90	7/16 M12	HC207-35MM	FLU207	3.53
HCFLU207-20	1-1/4									HC207-20		3.53
HCFLU207-21	1-5/16									HC207-21		3.53
HCFLU207-22	1-3/8									HC207-22		3.53
HCFLU207-23	1-7/16									HC207-23		3.53
HCFLU208-40MM	40MM	6-25/32 172	1-23/32 143.5	15/16 24	21/32 17	1-17/32 39	9/16 14	3-15/16 100	7/16 M12	HC208-40MM	FLU208	4.19
HCFLU208-24	1-1/2									HC208-24		4.19
HCFLU208-25	1-9/16									HC208-25		4.19
HCFLU209-45MM	45MM	7-3/32 180	5-27/32 148.5	15/16 24	23/32 18	1-9/16 40	5/8 16	4-1/4 108	1/2 M14	HC209-45MM	FLU209	5.07
HCFLU209-26	1-5/8									HC209-26		5.07
HCFLU209-27	1-11/16									HC209-27		5.07
HCFLU209-28	1-3/4									HC209-28		5.07
HCFLU210-50MM	50MM	7-15/32 190	6-3/16 157	1-3/32 28	25/32 20	1-25/32 45	23/32 18	4-17/32 115	5/8 M16	HC210-50MM	FLU210	5.74
HCFLU210-29	1-13/16									HC210-29		5.74
HCFLU210-30	1-7/8									HC210-30		5.74
HCFLU210-31	1-15/16									HC210-31		5.74
HCFLU210-32	2									HC210-32		5.74
HCFLU211-55MM	55MM	8-17/32 217	7-1/4 184	1-7/32 31	13/16 21	1-7/8 48	23/32 18	5-1/32 128	5/8 M16	HC211-55MM	FLU211	8.38
HCFLU211-32	2-1/8									HC211-32		8.38
HCFLU211-33	2-3/16									HC211-33		8.38
HCFLU211-34	2-1/4									HC211-34		8.38
HCFLU211-35	2-3/8									HC211-35		8.38

Mounted Ball Bearing Units

Flanges

SBFL Standard Duty, Set Screw Locking Type

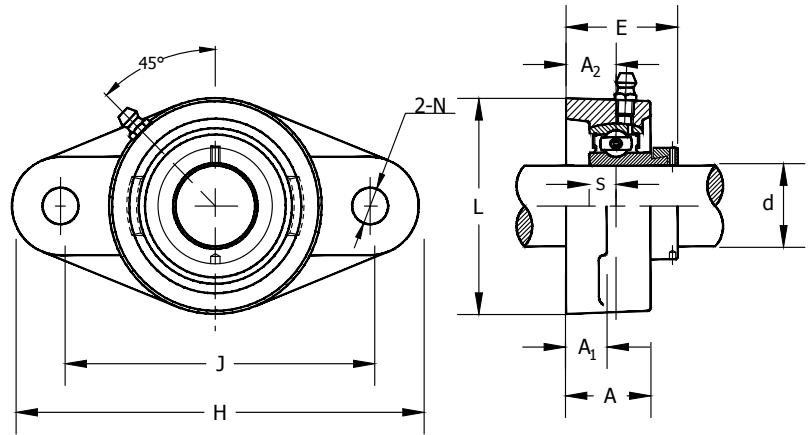


- Cast iron housing
- Narrow inner ring bearing
- Dual seals (Type K)

Unit No.	Shaft Dia.	Dimensions in mm								Bolt Size	Insert No.	Housing No.	Weight (lb)	
	d	H	J	L	A2	A1	A	E	N					
SBFL201-12MMG	12mm										3/8 M10	SB201-12MMG	FL203	0.57
SBFL201-8G	1/2											SB201-8G	FL203	0.57
SBFL202-15MMG	15mm	3-7/8	3	2-1/4	13/29	3/8	23/32	1-5/64	15/32			SB202-15MMG	FL203	0.57
SBFL202-10G	5/8	98	76.2	57.2	11.4	9.5	18	27.4	12			SB202-10G	FL203	0.57
SBFL203-17MMG	17mm											SB203G	FL203	0.57
SBFL203-11G	11/16											SB203-11G	FL203	0.57
SBFL204-20MMG	20mm	4-7/16	3-35/64	2-3/8	19/32	7/16	1	1-5/16	15/32		5/16 M10	SB204G	FL204	0.57
SBFL204-12G	3/4	113	90	60	15	11	25.4	33.3	12			SB204-12G	FL204	0.95
SBFL205-25MMG	25mm										3/8 M12	SB205-25MMG	FL205	0.95
SBFL205-13G	13/16											SB205-13G	FL205	1.15
SBFL205-14G	7/8	5-1/8	3-57/64	2-11/16	5/8	1/2	1-1/16	1-13/32	7/16			SB205-14G	FL205	1.15
SBFL205-15G	15/16	130	99	68	16	13	27	35.8	11.5			SB205-15G	FL205	1.15
SBFL205-16G	1											SB205-16G	FL205	1.15
SBFL206-30MMG	30mm											3/8 M12	SB206-30MMG	FL206
SBFL206-17G	1-1/16										SB206-17G		FL206	1.65
SBFL206-18G	1-1/8	5-13/16	4-39/64	3-5/32	45/64	1/2	1-7/32	1-19/32	7/16		SB206-18G		FL206	1.65
SBFL206-19G	1-3/16	148	117	80	18	13	31	40.2	11.5		SB206-19G		FL206	1.65
SBFL206-20G	1-1/4										SB206-20G		FL206	1.65
SBFL207-35MMG	35mm										1/2 M12	SB207-35MMG	FL207	2.31
SBFL207-20G	1-1/4											SB207-20G	FL207	2.31
SBFL207-21G	1-5/16	6-11/32	5-1/8	3-35/64	3/4	35/64	1-11/32	1-3/4	5/8			SB207-21G	FL207	2.31
SBFL207-22G	1-3/8	161	130	90	19	14	34	44.4	16			SB207-22G	FL207	2.31
SBFL207-23G	1-7/16											SB207-23G	FL207	2.31
SBFL208-40MMG	40mm										1/2 M12	SB208-40MMG	FL208	3.15
SBFL208-24G	1-1/2	6-7/8	5-43/64	3-15/16	53/64	35/64	1-13/32	2-1/64	5/8			SB208-24G	FL208	3.15
SBFL208-25G	1-9/16	175	144	100	21	14	36	51.2	16			SB208-25G	FL208	3.15

Flanges

SAFL Standard Duty, Eccentric Locking Collar



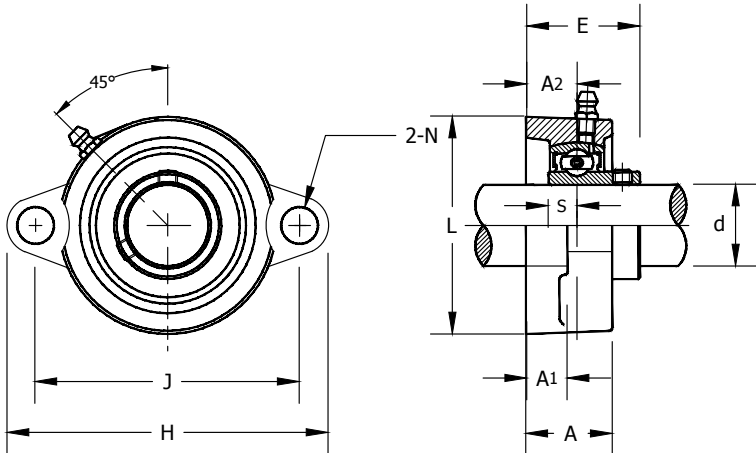
- Cast iron housing
- Narrow inner ring bearing
- Dual seals (Type K)

Unit No.	Shaft Dia.	Dimensions in mm									Bolt Size	Insert No.	Housing No.	Weight (lb)	
	d	H	J	L	A2	A	A1	E	N	S					
SAFL201-12MMG	12mm											M10 3/8	SA201-12MMG	FL203	0.57
SAFL201-8G	1/2										SA201-8G				
SAFL202-15MMG	15mm	3-7/8	3	2-1/4	15/32	3/8	23/32	1-7/22	15/32	0.2560	SA202-15MMG				
SAFL202-10G	5/8	98	76.2	57.2	11.4	9.5	18	33.5	12	6.5	SA202-10G				
SAFL203-17MMG	17mm										SA203-17MMG				
SAFL203-11G	11/16										SA203-11G				
SAFL204-20MMG	20mm	4-7/16	3-35/64	2-3/8	19/32	7/16	1	1-41/64	15/32	0.5000	M12 5/16	SA204-20MMG	FL204	0.57	
SAFL204-12G	3/4	113	90	60	15	11	25.5	41.6	12	12.7		SA204-12G			
SAFL205-25MMG	25mm											M12 3/8	SA205-25MMG	FL205	1.15
SAFL205-13G	13/16										SA205-13G				
SAFL205-14G	7/8	130	99	68	16	13	27	42.9	11.5	14.3	SA205-14G				
SAFL205-15G	15/16	5-1/8	3-57/64	2-11/16	5/8	1/2	1-1/16	1-11/16	7/16	0.5630	SA205-15G				
SAFL205-16G	1										SA205-16G				
SAFL206-30MMG	30mm												M12 3/8		
SAFL206-17G	1-1/16										SA206-17G				
SAFL206-18G	1-1/8	5-13/16	4-39/64	3-5/32	45/64	1/2	1-7/32	1-57/64	7/16	0.6260	SA206-18G				
SAFL206-19G	1-3/16	148	117	80	18	13	31	48.1	11.5	15.9	SA206-19G				
SAFL206-20G	1-1/4										SA206-20G				
SAFL207-35MMG	35mm											1/2 M12		SA207-35MMG	FL207
SAFL207-20G	1-1/4										SA207-20G				
SAFL207-21G	1-5/16	6-11/32	5-1/8	3-35/64	3/4	35/64	1-11/32	2-1/64	5/8	0.6890	SA207-21G				
SAFL207-22G	1-3/8	161	130	90	19	14	34	51.3	16	17.5	SA207-22G				
SAFL207-23G	1-7/16										SA207-23G				
SAFL208-40MMG	40mm												1/2 M12	SA208-40MMG	
SAFL208-24G	1-1/2	6-7/8	5-43/64	3-15/16	53/64	35/64	1-13/32	2-13/64	5/8	0.7480	SA208-24G				
SAFL208-25G	1-9/16	175	144	100	21	14	36	55.9	16	19	SA208-25G				
SAFL209-45MMG	45mm											9/16 M14	SA209-45MMG	FL209	3.66
SAFL209-26G	1-5/8	7-13/32	5-53/64	4-1/4	55/64	19/32	1-1/2	2-15/64	3/4	0.7480	SA209-26G				
SAFL209-27G	1-11/16	188	148	108	22	15	38	56.9	19	19	SA209-27G				
SAFL209-28G	1-3/4										SA209-28G				
SAFL210-50MMG	50mm											5/8 M16	SA210-50MMG	FL210	4.8
SAFL210-29G	1-13/16										SA210-29G				
SAFL210-30G	1-7/8	7-3/4	6-3/16	4-17/32	55/64	19/32	1-37/64	2-23/64	3/4	0.7480	SA210-30G				
SAFL210-31G	1-15/16	197	157	115	22	15	40	60.1	19	19	SA210-31G				
SAFL210-32G	2										SA210-32G				
SAFL211-55MMG	55mm											5/8 M16	SA211-50MMG	FL211	6.69
SAFL211-32G	2	8-13/16	7-1/4	5-1/8	63/64	23/32	1-11/16	2-45/64	3/4	0.8740	SA211-32G				
SAFL211-34G	2-1/8	224	184	130	25	18	43	68.6	19	22.2	SA211-34G				
SAFL211-35G	2-3/16										SA211-35G				

Mounted Ball Bearing Units

Flanges

SBLF Light Duty, Set Screw Locking

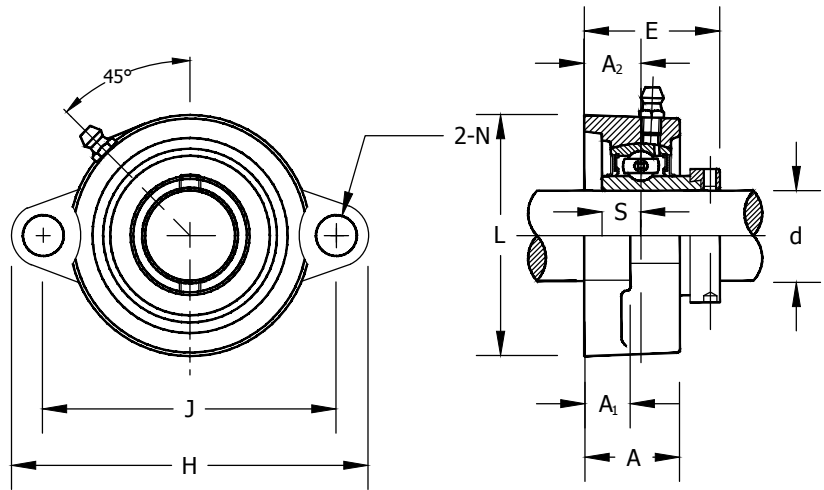


- Cast iron housing
- Narrow inner ring bearing
- Dual seals (Type K)

Unit No.	Shaft Dia.	Dimensions <small>in mm</small>									Bolt Size	Insert No.	Housing No.	Weight (lb)	
	d	H	J	L	A2	A	A1	E	N	S					
SBLF201-12MMG	12mm											1/4 M6	SB201-12MMG	LF203	0.59
SBLF201-8G	1/2										SB201-8G		0.59		
SBLF202-15MMG	15mm	3-3/16	2-1/2	2-7/32	3/8	23/32	3/8	1	5/16	1/4	5/16 M8		SB202-15MMG		0.59
SBLF202-10G	5/8	81	63.5	56	9.5	18	9.5	25.4	8	6			SB202-10G		0.57
SBLF203-17MMG	17mm												SB203-17MMG		0.57
SBLF203-11G	11/16												SB203-11G		0.55
SBLF204-12G	3/4	3-9/16	2-13/16	2-13/32	7/16	25/32	7/16	1-5/32	13/32	9/32		5/16 M8	SB204-12G	LF204	0.72
SBLF204-20MMG	20mm	90	71.5	61	11	20	11	29	10	7	SB204-20MMG		0.72		
SBLF205-14G	7/8										5/16 M8	SB205-14G	LF205	0.83	
SBLF205-25MMG	25mm	3-3/4	3	2-17/32	7/16	25/32	7/16	1-7/32	13/32	19/64		5/16 M8		SB205-25MMG	0.83
SBLF205-15G	15/16	95	76	64	11	20	11	30.5	10	7.5				SB205-15G	0.83
SBLF205-16G	1													SB205-16G	0.83
SBLF206-18G	1-1/8										3/8 M10	SB206-18G	LF206	1.23	
SBLF206-30MMG	30mm	4-15/32	3-9/16	3	15/32	7/8	15/32	1-11/32	15/32	5/16		3/8 M10		SB206-30MMG	1.23
SBLF206-19G	1-3/16	113	90.5	76	12	22.5	12	34	12	8				SB206-19G	1.23
SBLF206-20G	1-1/4													SB206-20G	1.23
SBLF207-20G	1-1/4										3/8 M10	SB207-20G	LF207	1.76	
SBLF207-21G	1-5/16											SB207-21G		1.76	
SBLF207-22G	1-3/8	4-13/16	3-15/16	3-1/2	1/2	15/16	17/32	1-7/16	15/32	11/32		3/8 M10		SB207-22G	1.76
SBLF207-35MMG	35mm	122	100	89	13	24	13	36.5	12	8.5				SB207-35MMG	1.76
SBLF207-23G	1-7/16													SB207-23G	1.76

Flanges

SALF Light Duty, Eccentric Locking Collar



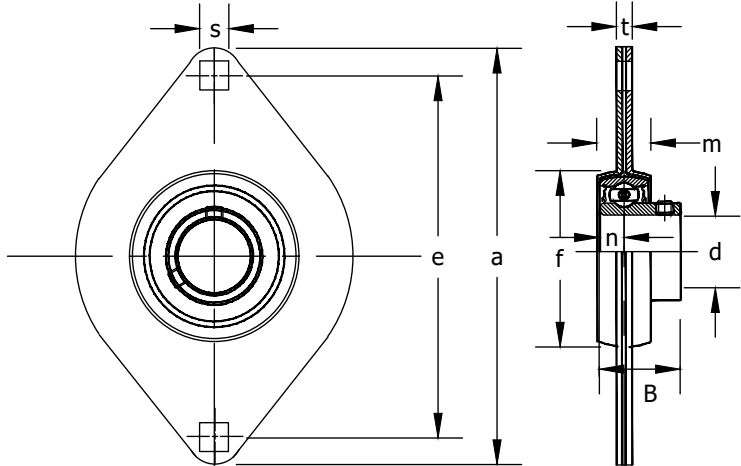
- Cast iron housing
- Narrow inner ring bearing
- Dual seals (Type K)

Unit No.	Shaft Dia.	Dimensions in mm									Bolt Size	Insert No.	Housing No.	Weight (lb)	
	d	H	J	L	A2	A1	A	E	N	S					
SALF201-12MMG	12mm											1/4 M6	SA201-12MMG	LF203	0.66
SALF201-8G	1/2												SA201-8G		0.66
SALF202-15MMG	15mm	3-3/16	2-1/2	2-7/32	3/8	3/8	23/32	1-1/4	5/16	1/4	1/4 M6	SA202-15MMG	LF203	0.66	
SALF202-10G	5/8	81	63.5	56	9.5	9.5	18	31.6	8	6.5		SA202-10G		0.64	
SALF203-17MMG	17mm										1/4 M6	SA203-17MMG	LF203	0.64	
SALF203-11G	11/16											SA203-11G		0.62	
SALF204-12G	3/4	3-9/16	2-13/16	2-13/32	7/16	7/16	25/32	1-11/32	13/32	5/16	5/16 M8	SA204-12G	LF204	0.73	
SALF204-20MMG	20mm	90	71.5	61	11	11	20	34.4	10	7.5		SA204-20MMG		0.73	
SALF205-14G	7/8										5/16 M8	SA205-14G	LF205	0.93	
SALF205-25MMG	25mm	3-3/4	3	2-17/32	7/16	7/16	25/32	1-11/32	13/32	5/16		SA205-25MMG		0.93	
SALF205-15G	15/16	95	76	64	11	11	20	34.4	10	7.5	SA205-15G	LF205	0.93		
SALF205-16G	1										SA205-16G		0.93		
SALF206-18G	1-1/8										3/8 M10	SA206-18G	LF206	1.32	
SALF206-30MMG	30mm											SA206-30MMG		1.32	
SALF206-19G	1-3/16	4-15/32	3-9/16	3	15/32	15/32	7/8	1-17/32	15/32	11/32	3/8 M10	SA206-19G	LF206	1.32	
SALF206-20G	1-1/4	113	90.5	76	12	12	22.5	38.7	12	9		SA206-20G		1.32	
SALF207-20G	1-1/4											SA207-20G	LF207	1.87	
SALF207-21G	1-5/16											SA207-21G		1.87	
SALF207-22G	1-3/8	4-13/16	3-15/16	3-1/2	17/32	17/32	15/16	1-21/32	15/32	3/8	3/8 M10	SA207-22G	LF207	1.87	
SALF207-35MMG	35mm	122	100	89	13	13	24	42.4	12	9.5		SA207-35MMG		1.87	
SALF207-23G	1-7/16											SA207-23G	LF207	1.87	

Mounted Ball Bearing Units

Oval Flange Units

SBPFL Light Duty, Set Screw Locking

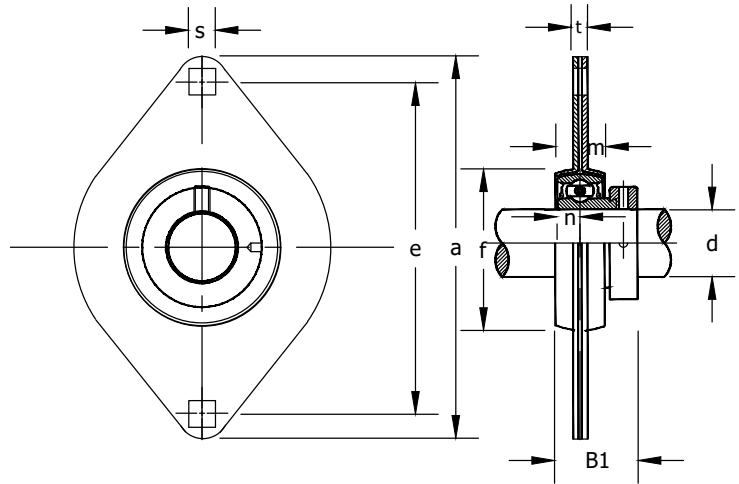


- Zinc plated stamped steel housing
- Narrow inner ring bearing
- Dual seals (Type K)

Unit No.	Shaft Dia.	Dimensions in mm									Bolt Size (in)	Insert No.	Housing No.	Weight (lb)	Weight (kg)	
		d	a	e	L	m	t	S	f	B						n
SBPFL201-12MM	12mm												SB201-12MM	PFL203	0.44	0.20
SBPFL201-8	1/2												SB201-8			
SBPFL202-15MM	15mm	3-3/16 81	2-1/2 64	2-15/16 59	9/16 14	5/32 4	9/32 7	1-15/16 49	.866 22	.256 6.5			SB202-15MM	PFL203	0.44	0.20
SBPFL202-10	5/8												SB202-10			
SBPFL203-17MM	17mm												SB203	PFL203	0.44	0.20
SBPFL203-11	11/16												SB203-11			
SBPFL204-12	3/4	3-9/16 90	2-13/16 71	2-5/8 67	5/8 16	5/32 4	11/32 9	2-3/16 56	.984 25	.295 7.5			SB204-12	PFL204	0.55	0.25
SBPFL204-20MM	20mm												SB204-20MM			
SBPFL205-13	13/16	3-3/4 95	3 76	2-51/64 71	23/32 18	5/32 4	11/32 9	2-3/8 60	1.063 27	.295 7.5			SB205-13	PFL205	0.65	0.30
SBPFL205-14	7/8												SB205-14			
SBPFL205-15	15/16												SB205-15	PFL205	0.65	0.30
SBPFL205-16	1												SB205-16			
SBPFL205-25MM	25mm												SB205-25MM			
SBPFL206-17	1-1/16	4-7/16 113	3-9/16 90	3-5/16 84	23/32 18	7/32 5.2	7/16 11	2-13/16 71	1.181 30	.354 9			SB206-17	PFL206	0.86	0.40
SBPFL206-18	1-1/8												SB206-18			
SBPFL206-19	1-3/16												SB206-19	PFL206	0.86	0.40
SBPFL206-20	1-1/4												SB206-20			
SBPFL206-30MM	30mm												SB206-30MM			
SBPFL207-20	1-1/4	4-13/16 122	3-15/16 100	3-11/16 94	25/32 20	7/32 5.2	7/16 11	3-3/16 81	1.26 32	.374 9.5			SB207-20	PFL207	1.40	0.64
SBPFL207-21	1-5/16												SB207-21			
SBPFL207-22	1-3/8												SB207-22	PFL207	1.40	0.64
SBPFL207-23	1-7/16												SB207-23			
SBPFL207-35MM	35mm												SB207-35MM			

Oval Flange Units

SAPFL Light Duty, Eccentric Locking Collar



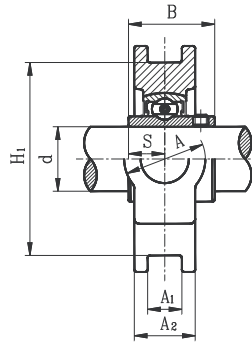
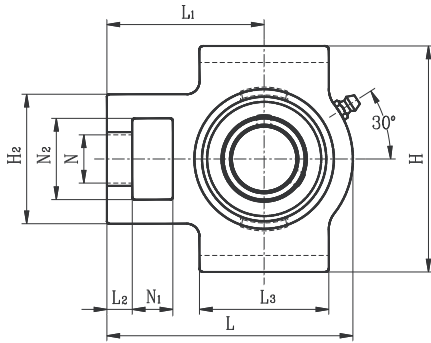
- Zinc plated stamped steel housing
- Narrow inner ring bearing
- Dual seals (Type K)

Unit No.	Shaft Dia.	Dimensions in mm									Bolt Size	Insert No.	Housing No.	Weight (lb)	
	d	a	e	L	m	t	S	f	B1	n					
SAPFL201-12MM	12mm											1/4 M6	SA201-12MM	PFL203	0.48
SAPFL201-8	1/2										SA201-8				
SAPFL202-15MM	15mm	3-3/16	2-1/2	2-15/16	9/16	5/32	9/32	1-15/16	1.126	.256	SA202-15MM				
SAPFL202-10	5/8	81	64	59	14	4	7	49	28.6	6.5	SA202-10				
SAPFL203-17MM	17mm										SA203-17MM				
SAPFL203-11	11/16										SA203-11				
SAPFL204-12	3/4	3-9/16	2-13/16	2-5/8	5/8	5/32	11/32	2-3/16	1.220	.295	5/16 M8	SA204-12	PFL204	0.55	
SAPFL204-20MM	20mm	90	71	67	16	4	9	56	31	7.5		SA204-20MM			
SAPFL205-13	13/16										5/16 M8	SA205-13	PFL205	0.70	
SAPFL205-14	7/8											SA205-14			
SAPFL205-15	15/16	3-3/4	3	2-51/64	23/32	5/32	11/32	2-3/8	1.220	.295		SA205-15			
SAPFL205-16	1	95	76	71	18	4	9	60	31	7.5		SA205-16			
SAPFL205-25MM	25mm											SA205-25MM			
SAPFL206-17	1-1/16										3/8 M10	SA206-17	PFL206	0.90	
SAPFL206-18	1-1/8											SA206-18			
SAPFL206-19	1-3/16	4-7/16	3-9/16	3-5/16	23/32	7/32	7/16	2-13/16	1.406	.354		SA206-19			
SAPFL206-20	1-1/4	113	90	84	18	5.2	11	71	35.7	9		SA206-20			
SAPFL206-30MM	30mm											SA206-30MM			
SAPFL207-20	1-1/4										3/8 M10	SA207-20	PFL207	1.80	
SAPFL207-21	1-5/16											SA207-21			
SAPFL207-22	1-3/8	4-13/16	3-15/16	3-11/16	25/32	7/32	7/16	3-3/16	1.531	.374		SA207-22			
SAPFL207-23	1-7/16	122	100	94	20	5.2	11	81	38.9	9.5		SA207-23			
SAPFL207-35MM	35mm											SA207-35MM			

Mounted Ball Bearing Units

Take Up Units

UCST Standard Duty Set Screw Locking Type - Wide Slot



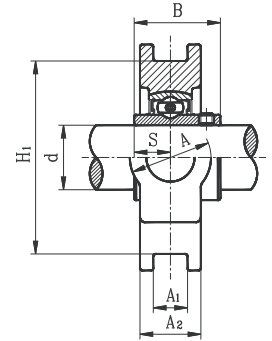
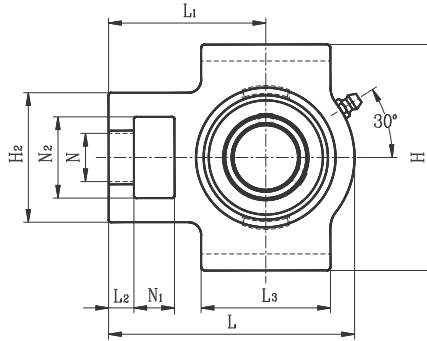
- Cast iron housing - wide slot
- Wide inner ring bearing
- Dual seals (Type B)

Unit No.	Shaft Dia.	Dimensions in mm													Insert No.	Housing No.	Weight (lb)
		d	N1	L2	H2	N2	N	L3	A1	H1	H	L	A	L1			
UCST201-12MM	12mm	5/8	25/64	1-1/64	1-1/4	3/4	2-1/64	17/32	2-63/64	3-1/2	3-11/16	1-1/4	2-13/32	31	UC201-12MM	ST204	1.92
UCST201-8	1/2	16	10	51	32	19	51	13.5	76	89	94	32	60	12.7	UC201-8		1.90
UCST202-15MM	15mm	5/8	25/64	1-1/64	1-1/4	3/4	2-1/64	17/32	2-63/64	3-1/2	3-11/16	1-1/4	2-13/32	31	UC202-15MM	ST204	1.90
UCST202-10	5/8	16	10	51	32	19	51	13.5	76	89	94	32	60	12.7	UC202-10		1.90
UCST204-20MM	20mm	5/8	25/64	1-1/64	1-1/4	3/4	2-1/64	17/32	2-63/64	3-1/2	3-11/16	1-1/4	2-13/32	31	UC204-20MM	ST204	1.83
UCST204-12	3/4	16	10	51	32	19	51	13.5	76	89	94	32	60	31	UC204-12		1.83
UCST205-25MM	25mm														UC205-25MM	ST205	1.79
UCST205-14	7/8	5/8	25/64	1-1/64	1-1/4	55/64	2-1/64	17/32	2-63/64	3-1/2	3-13/16	1-1/4	2-7/16	34.1	UC205-14		1.85
UCST205-15	15/16	16	10	51	32	22	51	13.5	76	89	97	32	62	34.1	UC205-15		1.81
UCST205-16	1														UC205-16		1.79
UCST206-30MM	30mm	5/8	25/64	2-7/32	1-15/32	55/64	2-1/4	17/32	3-1/2	4-1/64	4-29/64	1-29/63	2-3/4	38.1	UC206-30MM	ST206	2.38
UCST206-19	1-3/16	16	10	56	37	22	57	13.5	89	102	113	37	70	38.1	UC206-19		2.40
UCST206-20	1-1/4														UC206-20		2.38
UCST207-35MM	35mm														UC207-35MM	ST207	3.17
UCST207-20	1-1/4	5/8	33/64	2-33/64	1-29/64	55/64	2-33/64	17/32	3-1/2	4-1/64	5-5/64	1-29/64	3-5/64	42.9	UC207-20		3.31
UCST207-22	1-3/8	16	13	64	37	22	64	13.5	89	102	129	37	78	42.9	UC207-22		3.17
UCST207-23	1-7/16														UC207-23		3.11
UCST208-40MM	40mm														UC208-40MM	ST208	5.29
UCST208-24	1-1/2	3/4	5/8	3-17/64	1-15/16	1-9/64	3-17/64	11/16	4-1/64	4-31/64	5-43/64	1-15/16	3-1/2	49.2	UC208-24		5.38
UCST208-25	1-9/16	19	16	83	49	29	83	17.5	102	114	144	49	89	49.2	UC208-25		5.31
UCST209-45MM	45mm														UC209-45MM	ST209	5.20
UCST209-27	1-11/16	3/4	5/8	3-17/64	1-15/16	1-9/64	3-17/64	11/16	4-1/64	4-39/64	5-43/64	1-15/16	3-27/64	49.2	UC209-27		5.34
UCST209-28	1-3/4	19	16	83	49	29	83	17.5	102	114	144	49	87	49.2	UC209-28		5.25
UCST210-50MM	50mm														UC210-50MM	ST210	5.14
UCST210-30	1-7/8	3/4	5/8	3-17/64	1-15/16	1-9/64	3-17/64	11/16	4-1/64	4-39/64	5-55/64	1-15/16	3-35/64	51.6	UC2 10-30		5.29
UCST210-31	1-15/16	19	16	83	49	29	83	17.5	102	117	149	49	90	51.6	UC210-31		5.18
UCST210-32	2														UC210-32		5.09
UCST211-55MM	55mm														UC211-55MM	ST211	9.41
UCST211-32	2	63/64	3/4	4-1/64	2-1/32	1-3/8	3-3/4	1-1/16	5-1/8	5-3/4	6-47/64	2-33/64	4-11/64	55.6	UC211-32		9.74
UCST211-35	2-3/16	25	19	102	64	35	95	27	130	146	171	64	106	55.6	UC211-35		9.37
UCST212-60MM	60mm														UC212-60MM	ST212	11.51
UCST212-36	2-1/4	1-17/64	3/4	4-1/64	2-1/32	1-3/8	4-1/64	1-1/16	5-1/8	5-3/4	7-41/64	2-33/64	4-11/16	65.1	UC212-36		11.79
UCST212-39	2-7/16	32	19	102	64	35	102	27	130	146	194	64	119	65.1	UC212-39		11.31

Dual seal standard. Triple seal optional (R3 suffix, i.e. UCST205-16R3)

Take Up Units

UCT Standard Duty Set Screw Locking Collar Type - Narrow Slot



- Cast iron housing - narrow slot
- Wide inner ring bearing
- Dual seals (Type B)

Unit No.	Shaft Dia.	Dimensions in mm															Insert No.	Housing No.	Weight (lb)	
		d	N1	L2	H2	N2	N	L3	A1	H1	H	L	A	A2	L1	B				S
UCT201-12MM	12mm																	UC201-12MM	T204	1.76
UCT201-8	1/2																	UC201-8		1.74
UCT202-15MM	15mm																	UC202-15MM		1.74
UCT202-10	5/8	5/8	25/64	2-1/64	1-1/4	3/4	2-1/64	15/32	2-63/64	3-1/2	3-11/16	1-1/4	13/16	2-13/32	1.2205	0.5000	UC202-10	1.74		
UCT203-17MM	17mm	16	10	51	32	19	51	12	76	89	94	32	21	61	31	12.7	UC203-17MM	1.72		
UCT203-11	11/16																	UC203-11		1.7
UCT204-20MM	20mm																	UC204-20MM		1.68
UCT204-12	3/4																	UC204-12		1.68
UCT205-25MM	25mm																	UC205-25MM		T205
UCT205-14	7/8	5/8	25/64	2-1/64	1-1/4	3/4	2-1/64	15/32	2-63/64	3-1/2	3-13/16	1-1/4	15/16	2-7/16	1.3425	0.5630	UC205-14	1.85		
UCT205-15	15/16	16	10	51	32	19	51	12	76	89	97	32	24	62	34.1	14.3	UC205-15	1.81		
UCT205-16	1																	UC205-16	1.79	
UCT206-30MM	30mm																	UC206-30MM	T206	2.69
UCT206-17	1-1/16																	UC206-17		2.71
UCT206-18	1-1/8	5/8	25/64	2-7/32	1-29/64	55/64	2-1/4	15/32	3-1/2	4-1/64	4-29/64	1-29/64	1-3/32	2-3/4	1.5000	0.6260	UC206-18	2.73		
UCT206-19	1-3/16	16	10	56	37	22	57	12	89	102	113	37	28	70	38.1	15.9	UC206-19	2.69		
UCT206-20	1-1/4																	UC206-20		2.67
UCT207-35MM	35mm																	UC207-35MM	T207	3.17
UCT207-20	1-1/4																	UC207-20		3.31
UCT207-21	1-5/16	5/8	33/64	2-33/64	1-29/64	55/64	2-33/64	15/32	3-1/2	4-1/64	5-5/64	1-29/64	1-3/16	3-5/64	1.6890	0.6890	UC207-21	3.22		
UCT207-22	1-3/8	16	13	64	37	22	64	12	89	102	129	37	30	78	42.9	17.5	UC207-22	3.17		
UCT207-23	1-7/16																	UC207-23		3.11
UCT208-40MM	40mm																	UC208-40MM	T208	5.29
UCT208-24	1-1/2	3/4	5/8	3-17/64	1-15/16	1-9/64	3-17/64	5/8	4-1/64	4-31/64	5-43/64	1-15/16	1-5/16	3-1/2	1.9370	0.7480	UC208-24	5.38		
UCT208-25	1-9/16	19	16	83	49	29	83	16	102	114	144	49	33	89	49.2	19		UC208-25		5.31
UCT209-45MM	45mm																	UC209-45MM	T209	5.2
UCT209-26	1-5/8	3/4	5/8	3-17/64	1-15/16	1-9/64	3-17/64	5/8	4-1/64	4-39/64	5-43/64	1-15/16	1-3/8	3-27/64	1.9370	0.7480	UC209-26	5.42		
UCT209-27	1-11/16	19	16	83	49	29	83	16	102	117	144	49	35	87	49.2	19		UC209-27		5.34
UCT209-28	1-3/4																	UC209-28		5.25

Chart continues on next page

Mounted Ball Bearing Units

Take Up Units

UCT Standard Duty Set Screw Locking Collar Type - Narrow Slot



DUAL SEAL (B-Type)



TRIPLE LIP SEAL (R3-Type)

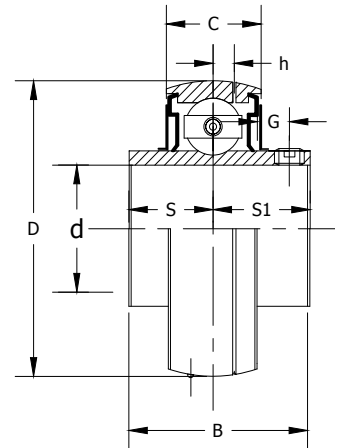
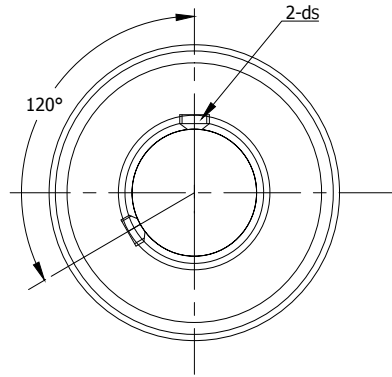


Unit No.	Shaft Dia.	Dimensions <small>in mm</small>															Insert No.	Housing No.	Weight (lb)	
	d	N1	L2	H2	N2	N	L3	A1	H1	H	L	A	A2	L1	B	S				
UCT210-50MM	50mm																	UC210-50MM	T210	5.36
UCT210-30	1-7/8	3/4	5/8	3-17/64	1-15/16	1-9/64	3-17/64	5/8	4-1/64	4-39/64	5-55/64	1-15/16	1-15/32	3-35/64	2.0315	0.7480	UC210-30	5.51		
UCT210-31	1-15/16	19	16	83	49	29	86	16	102	117	149	49	37	90	51.6	19	UC210-31	5.4		
UCT210-32	2																UC210-32	5.31		
UCT211-55MM	55mm																	UC211-55MM	T211	9.06
UCT211-32	2	63/64	3/4	4-1/64	2-1/32	1-3/8	3-3/4	55/64	5-1/8	5-3/4	6-47/64	2-33/64	1-1/2	4-11/64	2.1890	0.8740	UC211-32	9.39		
UCT211-34	2-1/8	25	19	102	64	35	95	22	130	146	171	64	38	106	55.6	22.2	UC211-34	9.15		
UCT211-35	2-3/16																UC211-35	9.02		
UCT212-60MM	60mm																	UC212-60MM	T212	10.96
UCT212-36	2-1/4	1-17/64	3/4	4-1/64	2-1/32	1-3/8	4-1/64	55/64	5-1/8	5-3/4	7-41/64	2-33/64	1-21/32	4-11/16	2.5630	1.0000	UC212-36	11.24		
UCT212-38	2-3/8	32	19	102	64	35	102	22	130	146	194	64	42	119	65.1	25.4	UC212-38	10.91		
UCT212-39	2-7/16																UC212-39	10.76		
UCT213-65MM	65mm																	UC213-65MM	T213	14.66
UCT213-40	2-1/2	1-17/64	53/64	4-3/8	2-3/4	1-39/64	4-49/64	1-1/32	5-15/16	6-37/64	8-13/16	2-3/4	1-23/32	5-25/64	2.5630	1.0000	UC213-40	14.86		
UCT214-70MM	70mm	32	21	111	70	41	121	26	151	167	224	70	44	137	65.1	25.4	UC214-70MM	T214	15.54	
UCT214-44	2-3/4																UC214-44		15.56	
UCT215-75MM	75mm																	UC215-75MM	T215	16.34
UCT215-47	2-15/16	1-17/64	53/64	4-3/8	2-3/4	1-39/64	4-49/64	1-1/32	5-15/16	6-37/64	9-9/64	2-3/4	1-57/64	5-33/64	3.0630	1.3110	UC215-47	16.4		
UCT215-48	3	32	21	111	70	41	121	26	151	167	232	70	48	140	77.8	33.3	UC215-48	16.14		
UCT216-80MM	80mm	32	21	111	70	41	121	26	165	184	235	70	51	140	3.2520	1.3110	UC216-80MM	T216	18.3	
UCT217-85MM	85mm	38	29	124	73	48	157	30	173	198	260	73	54	162	3.3740	1.3425	UC217-85MM	T217	24.25	

Dual seal standard. Triple seal optional (R3 suffix, i.e. UCT205-16R3)

Inserts

UC Standard Duty Set Screw Type



- Wide inner ring bearing
- Lubrication groove with hole on set screw side
- Additional oil hole on opposite side
- Anti-rotation device
- Dual seal (Type B)

Insert No.	Shaft Dia.	Dimensions in mm								Basic Load Rating		Weight (lb)								
	d	D	B	C	S	S1	G	H	DS	Dynamic	Static									
UC201-8S	1/2	1.5728	1.0787	0.5512	0.4528	0.6260	0.1654	0.1378	10-32UNF	2146	1074	0.280								
UC202-10S	5/8	40	27.4	14	11.5	15.9	4.2	3.5	M5X0.8			0.260								
UC201-12MM	12mm	1.8540	1.2205	0.6299	0.5000	0.7205	0.1850	0.1732	1/4-28UNF	2827	1494	0.510								
UC201-8	1/2											0.480								
UC202-15MM	15mm											0.460								
UC202-10	5/8											0.440								
UC203-17MM	17mm											0.420								
UC203-11	11/16											0.420								
UC204-12	3/4											0.400								
UC204-20MM	20mm											0.370								
UC205-14	7/8	2.0472	1.3386	0.6693	0.5630	0.7756	0.2165	0.1693	1/4-28UNF	3147	1771	0.510								
UC205-15	15/16											0.480								
UC205-25MM	25mm											0.460								
UC205-16	1											0.440								
UC206-18	1-1/8	2.4409	1.5000	0.7480	0.6260	0.8740	0.2165	0.1969	1/4-28UNF	4383	2517	0.750								
UC206-30MM	30mm											0.710								
UC206-19	1-3/16											0.680								
UC206-20	1-1/4											0.660								
UC207-20	1-1/4	2.8346	1.6890	0.7874	0.6890	1.0000	0.2559	0.2283	5/16-24UNF	5777	3416	1.160								
UC207-21	1-5/16											1.120								
UC207-22	1-3/8											72	42.9	20	17.5	25.4	6.5	5.8	M8X1	1.050
UC207-35MM	35mm											1.030								
UC207-23	1-7/16											0.990								
UC208-24	1-1/2	3.1496	1.9370	0.8268	0.748	1.1890	0.3150	0.2480	5/16-24UNF	6654	4091	1.490								
UC208-25	1-9/16											80	49.2	21	19.0	30.2	8.0	6.3	M8X1	1.430
UC208-40MM	40mm											1.410								

Chart continues on next page

Mounted Ball Bearing Units

Inserts

UC Standard Duty Set Screw Type



DUAL SEAL (B-Type)



TRIPLE LIP SEAL (R3-Type)

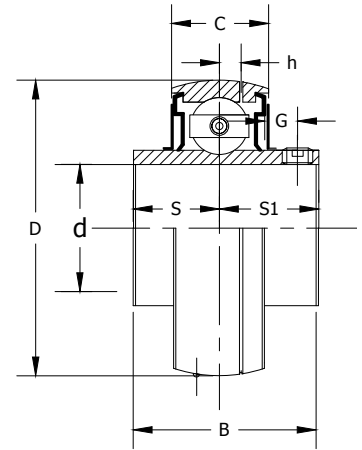
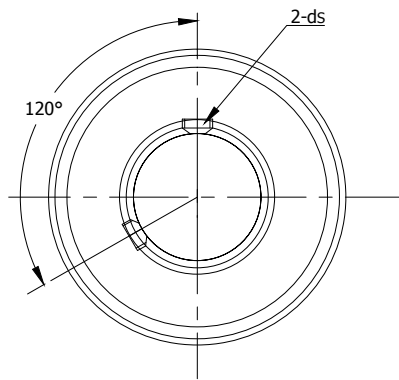


Insert No.	Shaft Dia.	Dimensions <small>in mm</small>								Basic Load Rating		Weight (lb)	
		d	D	B	C	S	S1	G	H	DS	Dynamic		Static
UC209-26	1-5/8												1.720
UC209-27	1-11/16	3.3465	1.9370	0.8661	0.7480	1.1890	0.3150	0.2677	5/16-24UNF	7159	4675	1.630	
UC209-28	1-3/4	85	49.2	22	19.0	30.2	8.0	6.8	M8X1			1.540	
UC209-45MM	45mm											1.500	
UC210-30	1-7/8												
UC210-31	1-15/16	3.5433	2.0315	0.9055	0.7480	1.2835	0.3543	0.2559	3/8-24UNF	7890	5215	1.810	
UC210-50MM	50mm	90	51.6	23	19.0	32.6	9.0	6.5	M10X1.25			1.760	
UC210-32	2											1.720	
UC211-32	2												
UC211-34	2-1/8	3.9370	2.1890	0.9843	0.8740	1.3150	0.3543	0.2835	3/8-24UNF	9790	6564	2.570	
UC211-55MM	55mm	100	55.6	25	22.2	33.4	9.0	7.2	M10X1.25			2.460	
UC211-35	2-3/16											2.420	
UC212-36	2-1/4												
UC212-60MM	60mm	4.3307	2.5630	1.0630	1.000	1.5630	0.4134	0.3228	3/8-24UNF	10745	7373	3.360	
UC212-38	2-3/8	110	65.1	27	25.4	39.7	10.5	8.2	M10X1.25			3.480	
UC212-39	2-7/16											3.370	
UC213-40	2-1/2	4.7244	2.5630	1.1024	1.0000	1.5630	0.4724	0.3159	3/8-24UNF			12858	8992
UC213-65MM	65mm	120	65.1	28	25.4	39.7	12.0	8.0	M12X1.25	4.090			
UC214-44	2-3/4	4.9213	2.9370	1.1811	1.1890	1.7480	0.4724	0.3543	7/16-20UNF	13668	10116	4.530	
UC214-70MM	70mm	125	74.6	30	30.2	44.4	12.0	9.0	M12X1.25			4.510	
UC215-47	2-15/16												5.060
UC215-75MM	75mm	5.1181	3.0630	1.1811	1.3110	1.7520	0.4724	0.3543	7/16-20UNF	14836	11127	4.860	
UC215-48	3	130	77.8	30	33.3	44.5	12.0	9.0	M12X1.25			4.690	
UC216-80MM	80mm	140	82.6	33	33.3	49.3	14.0	10.3	M12X1.25	16013	12184	6.140	
UC217-52	3-1/4	5.9055	3.3740	1.3780	1.3425	2.0315	0.5512	0.4331	7/16-20UNF	18703	14342	7.920	
UC217-85MM	85mm	150	85.7	35	34.1	51.6	14.0	11.0	M12X1.25			7.440	
UC218-56	3-1/2	6.2992	3.7795	1.4567	1.5630	2.2165	0.5512	0.4724	1/2-20UNF	21558	16073	10.030	
UC218-90MM	90mm	160	96.0	37	39.7	56.3	14.0	12.0	M12X1.25			9.790	
UC220-100MM	100mm	7.0866	4.2520	1.5748	1.6535	2.5984	0.6299	0.4764	5/8-18UNF	27426	20861	12.250	
UC220-64	4	180	108.0	40	42.0	66.0	16.0	12.1	M16X1.5			12.780	

Dual seal standard. Triple seal optional (R3 suffix, i.e. UC205-16R3)

Inserts

UCX Medium Duty Set Screw Locking Type



- Wide inner ring bearing
- Lubrication groove with hole on set screw side
- Additional oil hole on opposite side

- Anti-rotation device
- Dual seal (Type B)

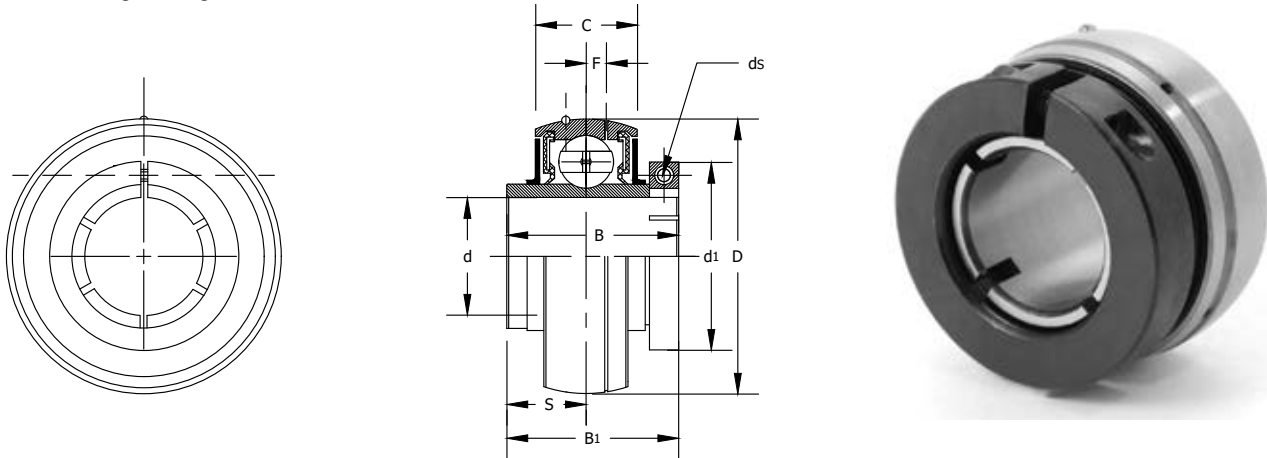
Insert No.	Shaft Dia.	Dimensions in mm								Basic Load Rating		Weight (lb)
		d	D	B	C	S	S1	G	ds	h	Dynamic	
UCX05-25MM	25mm	2.4409	1.5000	0.7480	0.6260	0.8740	0.1969	1/4-28 UNF M6x1	0.1969	4383	2540	0.86
UCX05-16	1	62	38.1	19	15.9	22.2	5		5			
UCX06-30MM	30mm	2.8346	1.6890	0.7874	0.6890	1.0000	0.2756	5/16-24 UNF M8x1	0.2244	5777	3439	1.50
UCX06-19	1-3/16	72	42.9	20	17.5	25.4	7		5.7			
UCX07-35MM	35mm											
UCX07-20	1-1/4	3.1496	1.9370	0.8268	0.7480	1.1890	0.3150	5/16-24 UNF M8x1	0.2441	6631	4069	1.81
UCX07-22	1-3/8	80	49.2	21	19	30.2	8		6.2			
UCX07-23	1-7/16											
UCX08-40MM	40mm	3.3465	1.9370	0.8661	0.7480	1.1890	0.3150	5/16-24 UNF M8x1	0.2520	7103	4631	2.05
UCX08-24	1-1/2	85	49.2	22	19	30.2	8		6.4			
UCX09-45MM	45mm											
UCX09-26	1-5/8	3.5433	2.0315	0.9449	0.7480	1.2835	0.3937	3/8-24 UNF M10x1	0.2559	7868	5215	2.20
UCX09-27	1-11/16	90	51.6	24	19	32.6	10		6.5			
UCX09-28	1-3/4											
UCX10-50MM	50mm											
UCX10-30	1-7/8	3.9370	2.1890	0.9843	0.8740	1.3150	0.3937	3/8-24 UNF M10x1	0.2756	9779	6564	2.98
UCX10-31	1-15/16	100	55.6	25	22.2	33.4	10		7			
UCX11-55MM	55mm	4.3307	2.5630	1.0630	1.0000	1.5630	0.3937	3/8-24 UNF M10x1	0.2992	10723	7396	4.19
UCX11-35	2-3/16	110	65.1	27	25.4	39.7	10		7.6			
UCX12-60MM	60mm											
UCX12-38	2-3/8	4.7244	2.5630	1.1024	1.0000	1.5630	0.3937	3/8-24 UNF M10x1	0.3346	12926	8992	5.00
UCX12-39	2-7/16	120	65.1	28	25.4	39.7	10		8.5			
UCX13-65MM	65mm	4.9213	2.9370	1.1417	1.1890	1.7480	0.4724	1/2-20 UNF M12x1.5	0.3504	13668	10116	5.40
UCX13-40	2-1/2	125	74.6	29	30.2	44.4	12		8.9			
UCX14-70MM	70mm											
UCX14-43	2-11/16	5.1181	3.0630	1.1811	1.3110	1.7520	0.4724	1/2-20 UNF M12x1.5	0.3622	14837	11128	5.45
UCX14-44	2-3/4	130	77.8	30	33.3	44.5	12		9.2			
UCX15-75MM	75mm											
UCX15-47	2-15/16	5.5118	3.2520	1.2598	1.3110	1.9409	0.4724	1/2-20 UNF M12x1.5	0.3740	16073	12184	6.86
UCX15-48	3	140	82.6	32	33.3	49.3	12		9.5			
UCX17-85MM	85mm	6.2992	3.7795	1.4173	1.5630	2.2165	0.4724	1/2-20 UNF M12x1.5	0.4409	21581	16073	10.63
UCX17-55	3-7/16	160	96	36	39.7	56.3	12		11.2			
UCX20-100MM	100mm	7.4803	4.6260	1.6929	1.9370	2.6890	0.7087	5/8-18 UNF M16x1.5	0.5394	29899	23604	18.87
UCX20-64	3-1/2	190	117.5	43	49.2	68.3	18		13.7			

Mounted Ball Bearing Units

Inserts UC..T Premere-LOC Insert

The TRITAN Premere-LOC insert bearings and mounted units provide for quieter, smoother and more efficient operation, especially under higher radial loads. The concentric locking collar provides a uniform grip to the inner ring, leading to an operational true center line, reducing vibration at higher speeds. As well, the concentric locking force significantly reduces the chance of damaging the shaft.

These one-step easy installation inserts and units are ideal for bi-directional applications and can replace both set screw locking and eccentric collar locking bearings.



Insert No.	Shaft Dia.	Dimensions <small>in mm</small>								Basic Load Rating		Weight (lb)
	d	D	B	C	S	F	B1	d1	ds	Dynamic	Static	
UC204-12T	0.75	1.85	1.22	0.67	0.5	0.15	1.31	1.75	32x5/8UNC	2878	1484	0.35
UC205-16T	1.00	2.05	1.34	0.67	0.56	0.15	1.44	1.94	32x5/8UNC	3147	1765	0.44
UC206-19T	1.19	2.44	1.50	0.75	0.63	0.2	1.56	2.19	32x5/8UNC	4373	2529	0.71
UC207-23T	1.44	2.83	1.69	0.79	0.69	0.22	1.75	2.56	24x3/4UNC	5778	3417	0.99
UC208-24T	1.50	3.15	1.94	0.83	0.75	0.24	2.00	2.69	24x3/4UNC	6632	4069	1.50
UC209-27T	1.69	3.35	1.94	0.87	0.75	0.25	2.00	2.94	24x3/4UNC	7351	4699	1.63
UC210-31T	1.94	3.54	2.03	0.94	0.75	0.26	2.09	3.37	20x15/16UNC	7868	5216	1.81

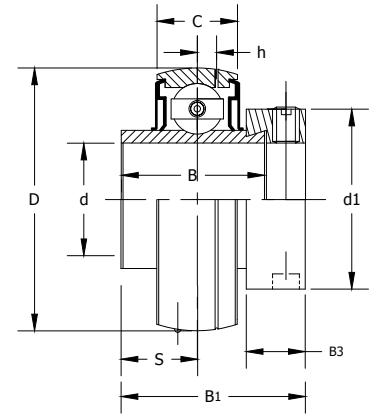
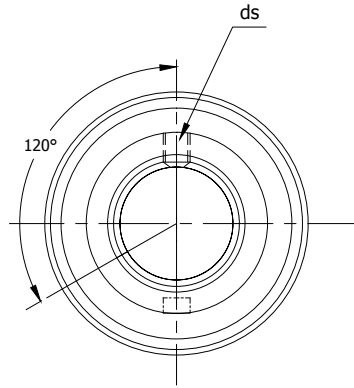
Interchange

TRITAN #	Fafnir	Peer	AMI	FYH	SM	Browning
UC204-12T	GC1012KRRB	GR204-12	UE204-12	NC204-12	2-012T	VB212
UC205-16T	GC1100KRRB	GR205-16	UE205-16	NC205-16	2-1T	VB216
UC206-19T	GC1103KRRB	GR206-19	UE206-19	NC206-19	2-13T	VB219
UC207-23T	GC1107KRRB	GR207-23	UE207-23	NC207-23	2-17T	VB223
UC208-24T	GC1108KRRB	GR208-24	UE208-24	NC208-24	2-18T	VB224
UC209-27T	GC1111KRRB	GR209-27	UE209-27	NC209-27	2-111T	VB227
UC210-31T	GC1115KRRB	GR210-31	UE210-31	NC210-31	2-115T	VB231

Interchange information is provided as a guide only. Dimensional & performance differences may apply.

Inserts

HC Standard Duty Eccentric Locking Collar



- Wide inner ring bearing
- Lubrication groove with hole on set screw side
- Additional oil hole on opposite side
- Anti-rotation device
- Dual seal (Type B)

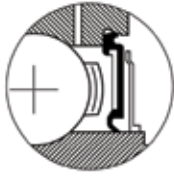
Insert No.	Shaft Dia.	Dimensions <small>in mm</small>									Basic Load Rating		Weight (lb)								
	d	D	B1	B	C	S	h	B3	D1	ds	Dynamic	Static									
HC201-12MM	12mm	1.8504	1.7205	1.3465	0.6693	0.6732	0.1890	0.5315	1.3110	1/4-28UNF M6x1	2877	1494	0.64								
HC201-8	1/2	47	43.7	34.2	17	17.1	4.8	13.5	33.3												
HC202-15MM	15mm	1.8504	1.7205	1.3465	0.6693	0.6732	0.1890	0.5315	1.3110	1/4-28UNF M6x1	2877	1494	0.6								
HC202-10	5/8	47	43.7	34.2	17	17.1	4.8	13.5	33.3												
HC203-17MM	17mm	1.8504	1.7205	1.3465	0.6693	0.6732	0.1890	0.5315	1.3110	1/4-28UNF M6x1	2877	1494	0.55								
HC203-11	11/16	47	43.7	34.2	17	17.1	4.8	13.5	33.3												
HC204-20MM	20mm	1.8504	1.7205	1.3465	0.6693	0.6732	0.1890	0.5315	1.3110	1/4-28UNF M6x1	2877	1494	0.51								
HC204-12	3/4	47	43.7	34.2	17	17.1	4.8	13.5	33.3												
HC205-25MM	25mm	2.0472	1.7480	1.3740	0.6693	0.6890	0.1890	0.5315	1.5000	1/4-28UNF M6x1	3147	1764	0.6								
HC205-14	7/8													52	44.4	34.9	17	17.5	4.8	13.5	38.1
HC205-15	15/16																				
HC205-16	1																				
HC206-30MM	30mm	2.4409	1.9055	1.4370	0.7480	0.7205	0.2362	0.6260	1.7520	5/16-24UNF M8x1	4386	2540	0.99								
HC206-17	1-1/16													62	48.4	36.5	19	18.3	6	15.9	44.5
HC206-18	1-1/8																				
HC206-19	1-3/16																				
HC206-20	1-1/4																				
HC207-35MM	35mm	2.8346	2.0118	1.4803	0.7874	0.7402	0.2677	0.6890	2.1890	5/16-24UNF M8x1	5777	3439	1.32								
HC207-20	1-1/4													72	51.1	37.6	20	18.8	6.8	17.5	55.6
HC207-21	1-5/16																				
HC207-22	1-3/8																				
HC207-23	1-7/16																				
HC208-40MM	40mm	3.1496	2.2165	1.6850	0.8268	0.8425	0.2677	0.7205	2.3740	5/16-24UNF M8x1	6631	4069	1.74								
HC208-24	1-1/2													80	56.3	42.8	21	21.4	6.8	18.3	60.3
HC208-25	1-9/16																				

Chart continues on next page

Mounted Ball Bearing Units

Inserts

HC Standard Duty Eccentric Locking Collar



DUAL SEAL (B-Type)



TRIPLE LIP SEAL (R3-Type)

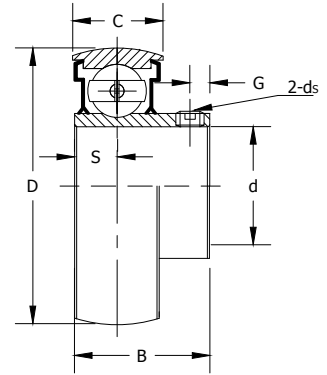
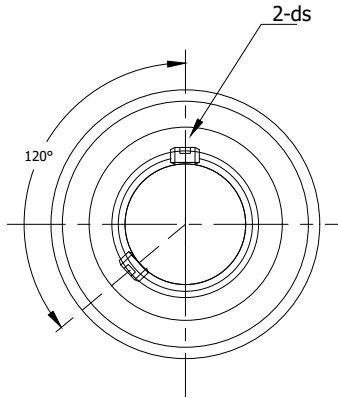


Insert No.	Shaft Dia.	Dimensions <small>in mm</small>									Basic Load Rating		Weight (lb)
	d	D	B1	B	C	S	h	B3	D1	ds	Dynamic	Static	
HC209-45MM	45mm												
HC209-26	1-5/8	3.3465	2.2165	1.6850	0.8661	0.8425	0.2677	0.7205	2.5000	5/16-24UNF	7103	4631	1.87
HC209-27	1-11/16	85	56.3	42.8	22	21.4	6.8	18.3	63.5	M8x1			
HC209-28	1-3/4												
HC210-50MM	50mm												
HC210-30	1-7/8	3.5433	2.4685	1.9370	0.9449	0.9685	0.2677	0.7205	2.7520	5/16-24UNF	7868	5215	2.18
HC210-31	1-15/16	90	62.7	49.2	24	24.6	6.8	18.3	69.9	M8x1			
HC210-32	2												
HC211-55MM	55mm												
HC211-32	2	3.9370	2.8110	2.1850	0.9843	1.0945	0.3150	0.8150	3.0000	3/8-24UNF	9779	6564	2.91
HC211-34	2-1/8	100	71.4	55.5	25	27.8	8	20.7	76.2	M10x1			
HC211-35	2-3/16												
HC212-60MM	60mm												
HC212-36	2-1/4	4.3307	3.0630	2.4370	1.0630	1.2205	0.3150	0.8780	3.3150	3/8-24UNF	10723	7396	4.14
HC212-38	2-3/8	110	77.8	61.9	27	31	8	22.3	84.2	M10x1			
HC212-39	2-7/16												
HC213-65MM	65mm												
HC213-40	2-1/2	4.7244	3.3740	2.7008	1.1024	1.3425	0.3346	0.9252	3.3858	3/8-24UNF	12926	8992	5.31
		120	85.7	68.6	28	34.1	8.5	23.5	86	M10x1			
HC214-43	2-11/16	4.7244	3.3740	2.7008	1.1417	1.3425	0.3346	0.9252	3.3858	3/8-24UNF	13668	10116	5.91
HC214-44	2-3/4	120	85.7	68.6	28	34.1	8.5	23.5	86	M10x1			
HC215-75MM	75mm												
HC215-47	2-15/16	5.1181	3.6260	2.9528	1.1811	1.4685	0.3346	0.9252	4.0157	3/8-24UNF	14837	11128	6.26
HC215-48	3	130	92.1	75	30	37.3	8.5	23.5	102	M10x1			

Dual seal standard. Triple seal optional (R3 suffix, i.e. HC205-16R3)

Inserts

SB Light Duty Set Screw Locking Type



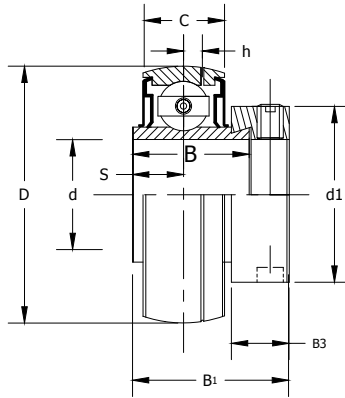
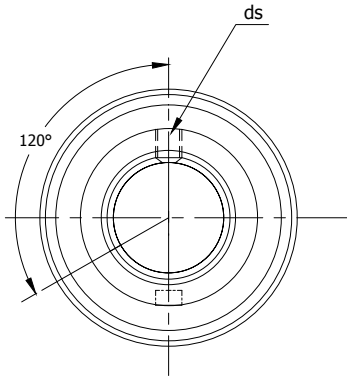
- Narrow inner ring bearing
- Lubrication groove with hole on collar side (G suffix)
- Non-relubricatable units also available (remove G suffix)
- Dual seal (K Type)

Insert No.	Shaft Dia.	Dimensions							Basic Load Rating		Weight (lb)
	d	D	B	C	S	H	G	ds	Dynamic	Static	
SB201-12MMG	12mm	1.5748	0.8661	0.4724	0.2362	0.1417	0.1772	10-32UNF	2158	1034	0.22
SB201-8G	1/2	40	22	12	6	3.6	4.5	M5x0.8			0.22
SB202-15MMG	15mm	1.5748	0.8661	0.4724	0.2362	0.1417	0.1772	10-32UNF	2158	1034	0.22
SB202-10G	5/8	40	22	12	6	3.6	4.5	M5x0.8			0.22
SB203-17MMG	17mm	1.5748	0.8661	0.4724	0.2362	0.1417	0.1772	10-32UNF	2158	1034	0.20
SB203-11G	11/16	40	22	12	6	3.6	4.5	M5x0.8			0.20
SB204-20MMG	20mm	1.8504	0.9843	0.5512	0.2756	0.1575	0.1772	1/4-28UNF	2877	1494	0.29
SB204-12G	3/4	47	25	14	7	4	4.5	M6x1			0.31
SB205-25MMG	25mm	2.0472	1.0630	0.5906	0.2953	0.1693	0.2165	1/4-28UNF	3147	1764	0.35
SB205-14G	7/8										0.40
SB205-15G	15/16										0.37
SB205-16G	1										0.35
SB206-30MMG	30mm	2.4409	1.1811	0.6299	0.3150	0.1969	0.2362	1/4-28UNF	4383	2540	0.55
SB206-17G	1-1/16										0.71
SB206-18G	1-1/8										0.57
SB206-19G	1-3/16										0.55
SB206-20G	1-1/4										0.53
SB207-35MMG	35mm	2.8346	1.2598	0.6693	0.3346	0.2244	0.2559	5/16-24UNF	5777	3439	0.84
SB207-20G	1-1/4										0.95
SB207-21G	1-5/16										0.90
SB207-22G	1-3/8										0.84
SB207-23G	1-7/16										0.82
SB208-40MMG	40mm	3.1496	1.3386	0.7087	0.3543	0.2441	0.2756	5/16-24UNF	6631	4069	1.32
SB208-24G	1-1/2										1.28
SB208-25G	1-9/16										1.32

Mounted Ball Bearing Units

Inserts

SA Light Duty Eccentric Locking Collar Type

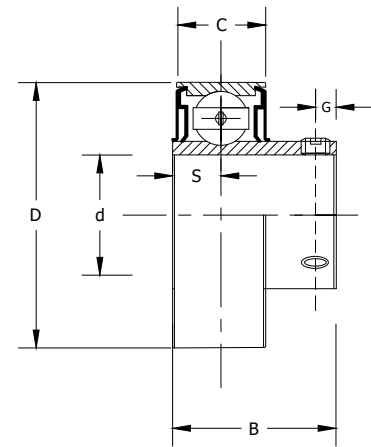
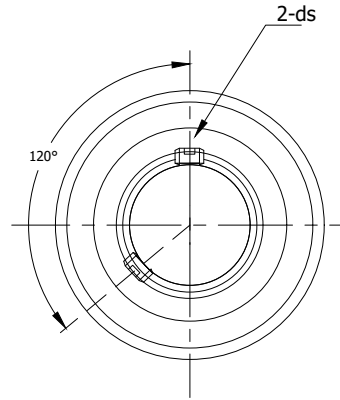


- Narrow inner ring bearing
- Lubrication groove with hole on collar side (G suffix)
- Non-relubricatable units also available (remove G suffix)
- Dual seal (K Type)

Insert No.	Shaft Dia.	Dimensions <small>in mm</small>									Basic Load Rating		Weight (lb)
		d	D	B1	B	C	S	h	B3	d1	ds	Dynamic	
SA201-12MMG	12mm	1.5748	1.1260	0.7520	0.4724	0.2559	0.1417	0.5315	1.1260	1/4-28UNF	2158	1034	0.26
SA201-8G	1/2	40	28.6	19.1	12	6.5	3.6	13.5	28.6	M6x 1			
SA202-15MMG	15mm	1.5748	1.1260	0.7520	0.4724	0.2559	0.1417	0.5315	1.1260	1/4-28UNF	2158	1034	0.22
SA202-10G	5/8	40	28.6	19.1	12	6.5	3.6	13.5	28.6	M6x1			
SA203-17MMG	17mm	1.5748	1.1260	0.7520	0.4724	0.2559	0.1417	0.5315	1.1260	1/4-28UNF	2158	1034	0.2
SA203-11G	11/16	40	28.6	19.1	12	6.5	3.6	13.5	28.6	M6x 1			
SA204-20MMG	20mm	1.8504	1.2205	0.8465	0.5512	0.2953	0.1575	0.5315	1.3110	1/4-28UNF	2877	1494	0.35
SA204-12G	3/4	47	31	21.5	14	7.5	4.0	13.5	33.3	M6x 1			
SA205-25MMG	25mm	2.0472	1.2205	0.8465	0.5906	0.2953	0.1693	0.5315	1.5000	1/4-28UNF	3147	1764	0.46
SA205-14G	7/8												
SA205-15G	15/16												
SA205-16G	1												
SA206-30MMG	30mm	2.4409	1.4055	0.9370	0.6299	0.3543	0.1969	0.6260	1.7520	5/16-28UNF	4383	2540	0.68
SA206-17G	1-1/16												
SA206-18G	1-1/8												
SA206-19G	1-3/16												
SA206-20G	1-1/4												
SA207-35MMG	35mm	2.8346	1.5315	1.0000	0.6693	0.3740	0.2244	0.6890	2.1890	5/16-28UNF	5777	3439	0.95
SA207-20G	1-1/4												
SA207-21G	1-5/16												
SA207-22G	1-3/8												
SA207-23G	1-7/16												
SA208-40MMG	40mm	3.1496	1.7205	1.1890	0.7087	0.4331	0.2441	0.7205	2.3740	5/16-28UNF	6631	4069	1.32
SA208-24G	1-1/2												
SA208-25G	1-9/16												
SA209-45MMG	45mm	3.3465	1.7205	1.1890	0.7480	0.4331	0.2559	0.7205	2.5000	5/16-28UNF	7103	4631	1.48
SA209-26G	1-5/8												
SA209-27G	1-11/16												
SA209-28G	1-3/4												
SA210-50MMG	50mm	3.5433	1.7205	1.1890	0.7874	0.4331	0.2559	0.7205	2.7520	5/16-28UNF	7868	5215	1.65
SA210-30G	1-13/16												
SA210-31G	1-7/8												
SA210-32G	1-15/16												
SA211-55MMG	55mm	3.9370	1.9055	1.2795	0.8268	0.4724	0.2835	0.8150	3.0000	5/16-28UNF	9779	6564	2.2
SA211-32G	2												
SA211-34G	2-1/8												
SA211-35G	2-3/16												
SA212-60MMG	60mm	4.3307	2.0906	1.4646	0.8661	0.5315	0.3150	0.8780	3.3150	3/8 -24UNF	10723	7396	2.95
SA212-36G	2-1/4												
SA212-39G	2-7/16												

Inserts

CSB Light Duty Cylindrical O.D. Type



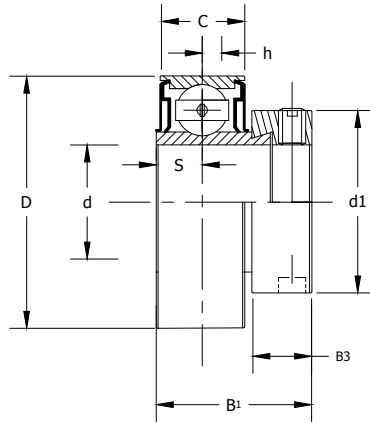
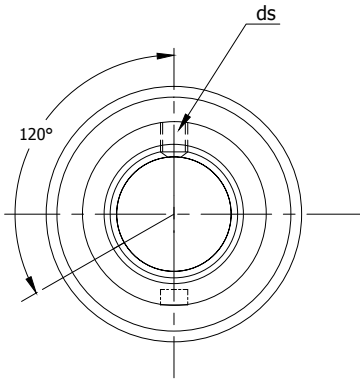
- Set screw locking
- Narrow inner ring bearing
- Dual seal (K Type)

Insert No.	Shaft Dia.	Dimensions <small>in mm</small>						Basic Load Rating		Weight (lb)
	d	D	B	C	S	G	ds	Dynamic	Static	
CSB201-12MM	12mm	1.5748	0.8700	0.4700	0.2400	0.1800	10-32UNF M5 x 0.8	2158	1034	0.22
CSB201-8	1/2	40	22	12	6	4.5				
CSB202-15MM	15mm	1.5748	0.8700	0.4700	0.2400	0.1800	10-32UNF M5 x 0.8	2158	1034	0.22
CSB202-10	5/8	40	22	12	6	4.5				
CSB203-17MM	17mm	1.5748	0.8700	0.4700	0.2400	0.1800	10-32UNF M5 x 0.8	2158	1034	0.20
CSB203-11	11/16	40	22	12	6	4.5				
CSB204-20MM	20mm	1.8504	0.9800	0.5500	.27600	0.1800	1/4-28UNF M6x1	2877	1494	0.31
CSB204-12	3/4	47	25	14	7	4.5				
CSB205-25MM	25mm	2.0472	1.0600	0.5900	0.2900	0.2200	1/4-28UNF M6x1	3147	1764	0.40
CSB205-14	7/8									
CSB205-15	15/16									
CSB205-16	1									
CSB206-30MM	30mm	2.4409	1.1800	0.6300	0.3200	0.2400	1/4-28UNF M6x1	4383	2540	0.71
CSB206-17	1-1/16									
CSB206-18	1-1/8									
CSB206-19	1-3/16									
CSB206-20	1-1/4									
CSB207-35MM	35mm	2.8346	1.2600	0.6700	0.3400	0.2600	5/16-24UNF M8x1	5777	3439	0.95
CSB207-20	1-1/4									
CSB207-21	1-5/16									
CSB207-22	1-3/8									
CSB207-23	1-7/16									
CSB208-40MM	40mm	3.1496	1.3400	0.7100	0.3500	0.2800	5/16-24UNF M8x1	6631	4069	1.28
CSB208-24	1-1/2									
CSB208-25	1-9/16									

Mounted Ball Bearing Units

Inserts

CSA Light Duty Cylindrical O.D. Type

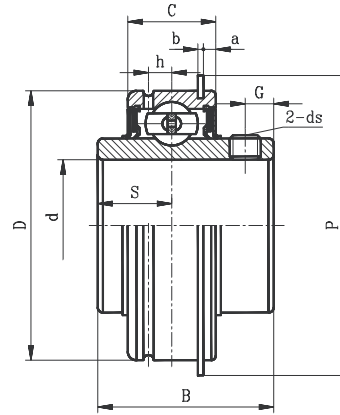


- Eccentric collar locking
- Narrow inner ring bearing
- Dual seal (K Type)

Insert No.	Shaft Dia.	Dimensions in mm							Basic Load Rating		Weight (lb)
	d	D	B1	C	S	B3	d1	ds	Dynamic	Static	
CSA104-12	3/4	1.6535 42	1.0402 26.42	0.4724 12	0.2362 6.0	0.47 11.9	1.2992 33.0	1/4-28UNF M6x1	2100	1000	0.26
CSA105-16	1	1.8504 47	1 25.4	0.4724 12	0.2362 6.0	0.47 11.9	1.421 36	1/4-28UNF M6x1	2500	1120	0.20
CSA106-19	1.1875	2.1654 55	1.03 26.2	0.5118 13	0.2559 6.5	0.47 11.9	1.673 42.5	1/4-28UNF M6x1	3300	1500	0.25
CSA201-12MM	12mm	1.5748 40	1.1260 28.6	0.4724 12	0.2559 6.5	0.5315 13.5	1.1260 28.6	1/4-28UNF M6x1	2158	1034	0.26
CSA201-8	1/2										
CSA202-15MM	15mm	1.5748 40	1.1260 28.6	0.4724 12	0.2559 6.5	0.5315 13.5	1.1260 28.6	1/4-28UNF M6x1	2158	1034	0.22
CSA202-10	5/8										
CSA204-20MM	20mm	1.8504 47	1.2205 31	0.5512 14	0.2953 7.5	0.5315 13.5	1.3110 33.3	1/4-28UNF M6x1	2877	1494	0.35
CSA204-12	3/4										
CSA205-25MM	25mm										
CSA205-14	7/8	2.0472 52	1.2205 31	0.5906 15	0.2953 7.5	0.5315 13.5	1.5000 38.1	1/4-28UNF M6x1	3147	1764	0.44
CSA205-15	15/16										
CSA205-16	1										
CSA206-30MM	30mm										
CSA206-18	1-1/8	2.4409 62	1.4055 35.7	0.6299 16	0.3543 9	0.6260 15.9	1.7520 44.5	5/16-28UNF M8x1	4383	2540	0.68
CSA206-19	1-3/16										
CSA206-20	1-1/4										
CSA207-35MM	35mm										
CSA207-20	1-1/4										
CSA207-21	1-5/16	2.8346 72	1.5315 38.9	0.6693 17	0.3740 9.5	0.6890 17.5	2.1890 55.6	5/16-28UNF M8x1	5777	3439	0.93
CSA207-22	1-3/8										
CSA207-23	1-7/16										
CSA208-40MM	40mm										
CSA208-24	1-1/2	3.1496 80	1.7205 43.7	0.7087 18	0.4331 11	0.7205 18.3	2.3740 60.3	5/16-28UNF M8x1	6631	4069	1.32
CSA208-25	1-9/16										
CSA209-45MM	45mm										
CSA209-26	1-5/8	3.3465 85	1.7205 43.7	0.7480 19	0.4331 11	0.7205 18.3	2.5000 63.5	5/16-28UNF M8x1	7103	4631	1.48
CSA209-27	1-11/16										
CSA209-28	1-3/4										
CSA210-50MM	50mm										
CSA210-30	1-13/16	3.5433 90	1.7205 43.7	0.7874 20	0.4331 11	0.7205 18.3	2.7520 69.9	5/16-28UNF M8x1	7868	5215	1.65
CSA210-31	1-7/8										
CSA211-55MM	55mm										
CSA211-32	2	3.9370 100	1.9055 48.4	0.8268 21	0.4724 12	0.8150 20.7	3.0000 76.2	5/16-28UNF M8x1	9779	6564	2.20
CSA211-34	2-1/8										
CSA211-35	2-3/16										

Inserts

ER Series Set Screw Locking



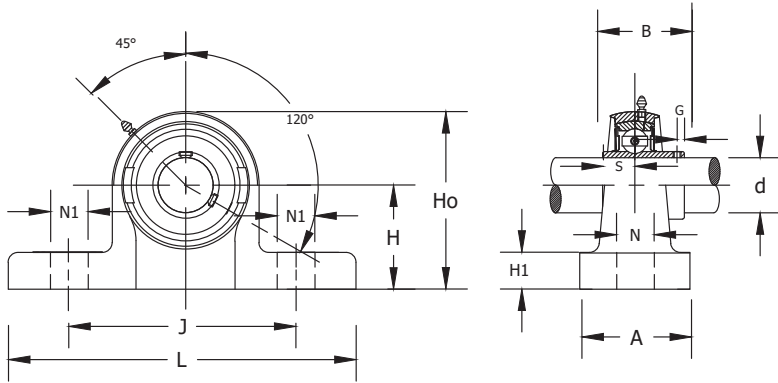
- Wide inner ring bearing
- Snap ring on set screw side and lubrication groove on opposite side
- Cylindrical diameter
- Dual seal (Type B)

Insert No.	Shaft Dia.	Dimensions in mm										Basic Load Rating		Weight (lb)		
		d	D	B	C	S	a	b	P	G	h	ds	Dynamic		Static	
ER12MM	12mm															0.49
ER8	1/2															0.49
ER15MM	15mm															0.49
ER10	5/8	1.8504	1.2205	0.6260	0.4055	0.0969	0.044	2.0748	0.1890	0.1732	1/4-28UNF	2877	1494		0.49	
ER17MM	17mm	47	31	15.9	10.3	2.46	1.12	52.7	4.8	4.4	M6x1			0.49		
ER20MM	20mm															0.46
ER12	3/4															0.46
ER25MM	25mm															0.60
ER14	7/8	2.0472	1.3740	0.7480	0.5157	0.0969	0.044	2.2795	0.1969	0.1772	1/4-28UNF	3147	1764		0.60	
ER15	15/16	52	34.9	19	13.1	2.46	1.12	57.9	5	4.5	M6x1			0.60		
ER16	1														0.60	
ER30MM	30mm															0.86
ER17	1-1/16													0.86		
ER18	1-1/8	2.4409	1.5000	0.8740	0.6260	0.1291	0.067	2.6654	0.1969	0.2087	1/4-28UNF	4383	2540		0.86	
ER19	1-3/16	62	38.1	22.2	15.9	3.28	1.7	67.7	5	5.3	M6x1			0.86		
ER20S	1-1/4														0.86	
ER35MM	35mm															1.39
ER20	1-1/4													1.39		
ER21	1-5/16	2.8346	1.6890	0.9370	0.6890	0.1291	0.067	3.0945	0.2638	0.2283	1/4-28UNF	5777	3439		1.39	
ER22	1-3/8	72	42.9	23.8	17.5	3.28	1.7	78.6	6.7	5.8	M8x 1			1.39		
ER23	1-7/16														1.39	
ER40MM	40mm															1.79
ER24	1-1/2	3.1496	1.9370	1.0945	0.7480	0.1291	0.067	3.4094	0.3150	0.2480	1/4-28UNF	6631	4069		1.79	
ER25	1-9/16	80	49.2	27.8	19	3.28	1.7	86.6	8	6.3	M8x1			1.79		
ER45MM	45mm															1.98
ER26	1-5/8	3.3465	1.9370	1.0945	0.7480	0.1291	0.067	3.6063	0.3150	0.2953	1/4-28UNF	7103	4631		1.98	
ER27	1-11/16	85	49.2	27.8	19	3.28	1.7	91.6	8	7.5	M8x1			1.98		
ER28	1-3/4														1.98	
ER50MM	50mm															2.16
ER30	1-7/8	3.5433	2.0315	1.1260	0.7480	0.1291	0.097	3.7992	0.3937	0.2677	1/4-28UNF	7868	5215		2.16	
ER31	1-15/16	90	51.6	28.6	19	3.28	2.46	96.5	10	6.8	M10x1			2.16		
ER55MM	55mm															3.09
ER32	2	3.9370	2.1890	1.1890	0.8740	0.1291	0.097	4.1929	0.3937	0.2992	1/4-28UNF	9779	6564		3.09	
ER34	2-1/8	100	55.6	30.2	22.2	3.28	2.46	106.5	10	7.6	M10x1			3.09		
ER35	2-3/16														3.09	
ER60MM	60mm															4.17
ER36	2-1/4	4.3307	2.5630	1.2520	1.0000	0.1291	0.097	4.5906	0.3937	0.3307	1/4-28UNF	10723	7396		4.17	
ER38	2-3/8	110	65.1	31.8	25.4	3.28	2.46	116.6	10	8.4	M10X1			4.17		
ER39	2-7/16														4.17	

Mounted Ball Bearing Units

Washdown

UCPSS All Stainless Steel Pillow Blocks

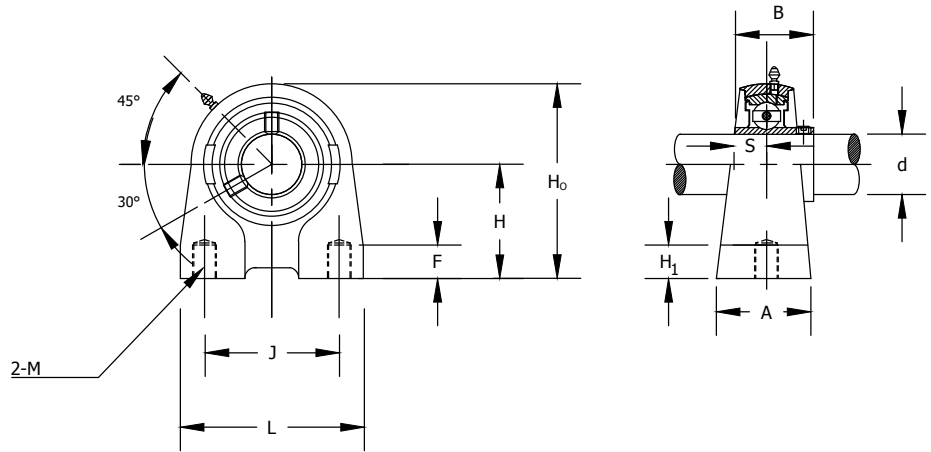


- Stainless steel housing - solid base
- Stainless steel wide inner ring bearing
- Lubricated with food grade grease
- Dual seal (Type B)
- Cap ready

Unit No.	Shaft Dia.	Dimensions in mm										Bolt Size	Housing No.	Insert No.	Weight (lb)
		d	H	L	J	A	N	N1	H1	H0	B				
UCPSS204-20MM	20mm	1-5/16	5	3-3/4	1-3/16	1/2	3/4	5/9	2-17/32	1.2205	0.5000	3/8	PSSP204	SSUC204-20MM	1.57
UCPSS204-12	3/4	33.3375	127	95	30	13	19	14	64	31	12.7	M10		SSUC204-12	
UCPSS205-25MM	25mm											3/8	PSS205	SSUC205-25MM	1.81
UCPSS205-13	13/16														
UCPSS205-14	7/8	1-7/16	5-1/2	4-1/8	1-3/16	1/2	3/4	3/5	2-3/4	1.3425	0.5630				
UCPSS205-15	15/16	36.5125	140	105	30	13	19	15	70	34.1	14.3				
UCPSS205-16	1														
UCPSS206-30MM	30mm											1/2	PSS206	SSUC206-30MM	2.89
UCPSS206-17	1-1/16														
UCPSS206-18	1-1/8	1-11/16	6-1/2	4-3/4	1-13/32	43/64	13/16	5/8	3-7/32	1.5000	0.6260				
UCPSS206-19	1-3/16	42.8625	165	121	36	17	21	16	82	38.1	15.9				
UCPSS206-20	1-1/4														
UCPSS207-35MM	35mm											1/2	PSS207	SSUC207-35MM	3.64
UCPSS207-20	1-1/4														
UCPSS207-21	1-5/16	1-7/8	6-9/16	5	1-1/2	43/64	13/16	2/3	3-5/8	1.6890	0.6260				
UCPSS207-22	1-3/8	47.625	167	127	38	17	21	17	92	42.9	17.5				
UCPSS207-23	1-7/16														
UCPSS208-40MM	40mm											1/2	PSS208	SSUC208-40MM	4.41
UCPSS208-24	1-1/2	1-15/16	7-1/4	5-13/32	1-9/16	43/64	7/8	17/24	3-6/7	1.6890	0.7480				
UCPSS208-25	1-9/16	49.2125	184	137	40	17	22	18	98	42.9	19				
UCPSS209-45MM	45mm											1/2	PSS209	SSUC209-45MM	4.98
UCPSS209-26	1-5/8	2-1/8	7-15/32	5-3/4	1-9/16	43/64	7/8	11/14	4-2/15	1.9370	0.7480				
UCPSS209-27	1-11/16	53.975	190	146	40	17	22	20	105	49.2	19				
UCPSS209-28	1-3/4														
UCPSS210-50MM	50mm											5/8	PSS210	SSUC210-50MM	6.17
UCPSS210-29	1-13/16														
UCPSS210-30	1-7/8	2-1/4	8-1/8	6-1/4	1-25/32	25/32	31/32	13/15	4-13/32	2.0315	0.7480				
UCPSS210-31	1-15/16	57.15	206	159	45	20	25	22	112	51.6	19				
UCPSS210-32	2														
UCPSS211-55MM	55mm											5/8	PSS211	SSUC211-55MM	8.44
UCPSS211-32	2	2-1/2	8-7/12	6-47/64	2-31/32	25/32	31/32	13/15	4-24/25	2.1890	0.8740				
UCPSS211-34	2-1/8	63.5	218	171	50	20	25	22	126	55.6	22.2				
UCPSS211-35	2-3/16														
UCPSS212-60MM	60mm											5/8	PSS212	SSUC212-60MM	11.75
UCPSS212-36	2-1/4	2-3/4	9-7/19	7-1/4	2-4/11	25/32	31/32	63/64	5-13/32	2.5630	1.0000				
UCPSS212-38	2-3/8	69.85	238	184	60	20	25	25	137	65.1	25.4				
UCPSS212-39	2-7/16														

Washdown

UCPASS Stainless Steel Standard Duty Set Screw Locking Type



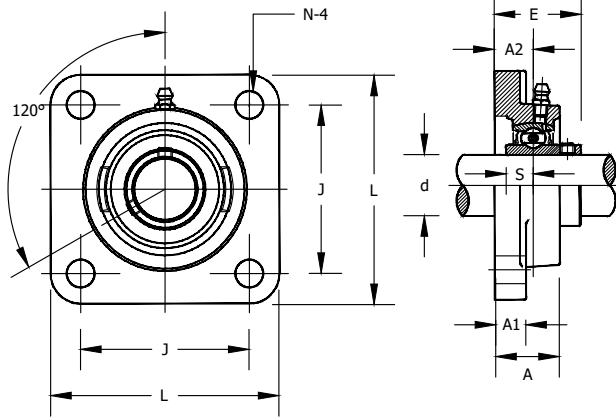
- Stainless steel housing
- Follows USA/domestic dimensions
- Stainless steel wide inner ring bearing
- Dual seal (Type B)
- Cap ready

Unit No.	Shaft Dia.	Dimensions in mm										Insert No.	Housing No.	Weight (lb)	
		d	H	L	J	A	M	H0	H1	S	B				F
UCPASS201A-12MM	12mm												SSUC201-12MM	PASS204	1.39
UCPASS201-8A	1/2												SSUC201-8		1.39
UCPASS202A-15MM	15mm												SSUC202-15MM		1.39
UCPASS202-10A	5/8	1-5/16 33.3	2-9/16 65	2 50.8	1-1/2 32	3/8-16UNC M10x1	2-17/32 64	37/64 14.5	1/2 12.7	1.2205 31	0.5906 15		SSUC202-10		1.39
UCPASS203A-17MM	17mm												SSUC203-17MM		1.39
UCPASS204A-20MM	20mm												SSUC204-20MM		1.01
UCPASS204-12A	3/4												SSUC204-12		1.01
UCPASS205A-25MM	25mm												SSUC205-25MM		PASS205
UCPASS205-14A	7/8	1-7/16 36.5	2-3/4 70	2 50.8	1-27/64 36	3/8-16UNC M10x1	2-3/4 70	1/2 13	9/16 14.3	1.3425 34.1	0.5906 15		SSUC205-14	1.54	
UCPASS205-15A	15/16												SSUC205-15	1.50	
UCPASS205-16A	1												SSUC205-16	1.48	
UCPASS206A-30MM	30mm												SSUC206-30MM	PASS206	2.47
UCPASS206-17A	1-1/16												SSUC206-17		2.54
UCPASS206-18A	1-1/8	1-11/16 42.9	3-55/64 98	3 76.2	1-37/64 40	7/16-14UNC M10x1.5	3-7/32 82	5/8 16	5/8 15.9	1.5000 38.1	0.7087 18		SSUC206-18		2.51
UCPASS206-19A	1-3/16												SSUC206-19		2.47
UCPASS206-20A	1-1/4												SSUC206-20		2.45
UCPASS207A-35MM	35mm												SSUC207-35MM	PASS207	3.04
UCPASS207-20A	1-1/4												SSUC207-20		3.17
UCPASS207-21A	1-5/16	1-7/8 47.6	4-1/16 103	3-1/4 82.6	1-49/64 45	1/2-13UNC M14x2	3-21/32 93	3/4 19	11/16 17.5	1.6890 42.9	0.7874 20		SSUC207-21		3.11
UCPASS207-22A	1-3/8												SSUC207-22		3.04
UCPASS207-23A	1-7/16												SSUC207-23		2.98
UCPASS208A-40MM	40mm												SSUC208-40MM	PASS208	4.10
UCPASS208-24A	1-1/2	1-15/16 49.2	4-9/16 116	3-1/2 88.9	1-57/64 48	1/2-13UNC M14x2	3-29/32 99	3/4 19	3/4 19	1.9370 49.2	0.7874 20		SSUC208-24		4.19
UCPASS208-25A	1-9/16												SSUC208-25		4.12
UCPASS209A-45MM	45mm												SSUC209-45MM	PASS209	4.23
UCPASS209-26A	1-5/8	2-1/8 54	4-23/32 120	3-3/4 95.3	1-57/64 48	1/2-13UNC M14x2	4-7/32 107	3/4 19	3/4 19	1.9370 49.2	0.9843 25		SSUC209-26		4.45
UCPASS209-27A	1-11/16												SSUC209-27		4.37
UCPASS209-28A	1-3/4												SSUC209-28		4.28
UCPASS210A-50MM	50mm												UC210-50MM	PASS210	4.94
UCPASS210-30A	1-7/8	2-1/4 57.2	5-5/16 135	4 101.6	2-1/8 54	5/8-11UNC M16x2	4-17/32 115	7/8 22	3/4 19	2.0315 51.6	0.9843 25		UC2 10-30		5.09
UCPASS210-31A	1-15/16												UC210-31		4.98
UCPASS210-32A	2												UC210-32		4.89

Mounted Ball Bearing Units

Washdown

UCFSS All Stainless Steel Four Bolt Flange Units

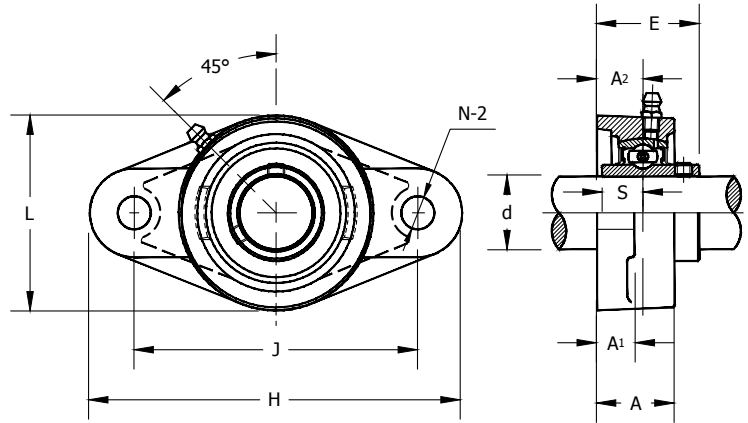


- Stainless steel housing
- Stainless steel wide inner ring bearing
- Lubricated with food grade grease
- Dual seal (Type B)
- Cap ready

Unit No.	Shaft Dia.	Dimensions in mm								Bolt Size	Bearing No.	Housing No.	Weight (lb)
		d	I	J	A2	A1	A	N	E				
UCFSS204-20MM	20mm	3-3/8	2-33/64	19/32	7/16	1	15/32	1-5/16	12.7	3/8 M10	SSUC204-20MM	FSS204	1.57
UCFSS204-12	3/4	86	64	15	11	25.4	12	33.3	3/8		SSUC204-12		
UCFSS205-25MM	25mm	3-3/4 95	2-3/4 70	5/8 16	1/2 13	1-1/10 28	15/32 12	1-13/32 35.8	14.3 3/8	3/8 M10	SSUC205-25MM	FSS205	2.14
UCFSS205-14	7/8										SSUC205-14		
UCFSS205-15	15/16										SSUC205-15		
UCFSS205-16	1										SSUC205-16		
UCFSS206-30MM	30mm	4-1/4 108	3-17/64 83	45/64 18	1/2 13	1-7/32 31	15/32 12	1-19/32 40.2	15.9 3/8	3/8 M10	SSUC206-30MM	FSS206	3.11
UCFSS206-18	1-1/8										SSUC206-18		
UCFSS206-19	1-3/16										SSUC206-19		
UCFSS206-20	1-1/4										SSUC206-20		
UCFSS207-35MM	35mm	4-39/64 117	3-5/8 92	3/4 19	9/16 15	1-1/3 34	35/64 14	1-3/4 44.4	17.5 7/16	7/16 M12	SSUC207-35MM	FSS207	4.10
UCFSS207-20	1-1/4										SSUC207-20		
UCFSS207-21	1-5/16										SSUC207-21		
UCFSS207-22	1-3/8										SSUC207-22		
UCFSS207-23	1-7/16										SSUC207-23		
UCFSS208-40MM	40mm	5-1/8 130	4-1/64 102	53/64 21	9/16 15	1-5/12 36	5/8 16	2-1/64 51.2	19 1/2	1/2 M14	SSUC208-40MM	FSS208	5.07
UCFSS208-24	1-1/2										SSUC208-24		
UCFSS208-25											SSUC208-25		
UCFSS209-45MM	45mm	5-13/32 137	4-9/64 105	55/64 22	5/8 16	1-1/2 38	5/8 16	2-1/16 52.2	19 1/2	1/2 M14	SSUC209-45MM	FSS209	5.97
UCFSS209-26	1-5/8										SSUC209-26		
UCFSS209-27	1-11/16										SSUC209-27		
UCFSS209-28	1-3/4										SSUC209-28		
UCFSS210-50MM	50mm	5-5/8 143	4-3/8 111	55/64 22	5/8 16	1-4/7 40	5/8 16	2-5/32 54.6	19 1/2	1/2 M14	SSUC210-50MM	FSS210	6.46
UCFSS210-30	1-7/8										SSUC210-30		
UCFSS210-31	1-15/16										SSUC210-31		
UCFSS211-55MM	55mm	6-3/8 162	5-1/8 130	63/64 25	11/16 18	1-9/13 43	3/4 19	2-5/16 58.4	22.2 5/8	5/8 M16	SSUC211-55MM	FSS211	9.11
UCFSS211-32	2										SSUC211-32		
UCFSS211-34	2-1/8										SSUC211-34		
UCFSS211-35	2-3/16										SSUC211-35		
UCFSS212-60MM	60mm	6-57/64 175	5-5/8 143	1-9/64 29	11/16 18	1-57/64 48	3/4 19	2-45/64 68.7	25.4 5/8	5/8 M16	SSUC212-60MM	FSS212	12.15
UCFSS212-36	2-1/4										SSUC212-36		
UCFSS212-38	2-3/8										SSUC212-38		
UCFSS212-39	2-7/16										SSUC212-39		

Washdown

UCFLSS All Stainless Steel Two Bolt Flange Units



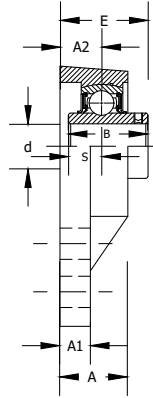
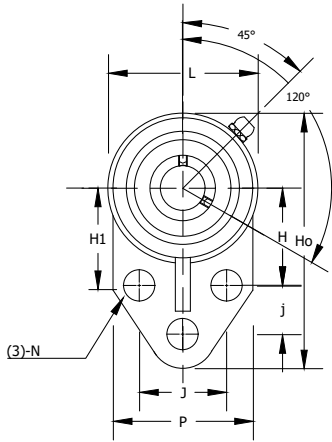
- Stainless steel housing
- Stainless steel wide inner ring bearing
- Lubricated with food grade grease
- Dual seal (Type B)
- Cap ready

Unit No.	Shaft Dia.	Dimensions in mm									Bolt Size	Bearing No.	Housing No.	Weight (lb)
	d	H	J	A2	A1	N	A	L	E	S				
UCFLSS204-20MM	20mm	4-7/16	3-35/64	19/32	7/16	9/19	1-1/16	2-3/8	1-5/16	0.5000	3/8 M10	SSUC204-20MM	FLSS204	1.10
UCFLSS204-12	3/4	113	90	15	11	12	27	60	33.3	12.7		SSUC204-12		
UCFLSS205-25MM	25mm	5-1/8 130	3-57/64 99	5/8 16	1/2 13	31/63 12.5	1-1/10 28	2-11/16 68	1-9/22 35.8	0.5630 14.3	9/16 M14	SSUC205-25MM	FLSS205	1.57
UCFLSS205-13	13/16											SSUC205-13		
UCFLSS205-14	7/8											SSUC205-14		
UCFLSS205-15	15/16											SSUC205-15		
UCFLSS205-16	1											SSUC205-16		
UCFLSS206-30MM	30mm											5-13/16 148		
UCFLSS206-17	1-1/16	SSUC206-17												
UCFLSS206-18	1-1/8	SSUC206-18												
UCFLSS206-19	1-3/16	SSUC206-19												
UCFLSS206-20	1-1/4	SSUC206-20												
UCFLSS207-35MM	35mm	6-11/32 161	5-1/8 130	3/4 19	9/16 14	11/20 14	1-11/32 34	3-35/64 90	1-3/4 44.4	0.6890 17.5	9/16 M14		SSUC207-35MM	FLSS207
UCFLSS207-20	1-1/4											SSUC207-20		
UCFLSS207-21	1-5/16											SSUC207-21		
UCFLSS207-22	1-3/8											SSUC207-22		
UCFLSS207-23	1-7/16											SSUC207-23		
UCFLSS208-40MM	40mm											6-8/9 175	5-43/64 144	
UCFLSS208-24	1-1/2	SSUC208-24												

Mounted Ball Bearing Units

Washdown

UCFBSS Stainless Steel Three Bolt Flange

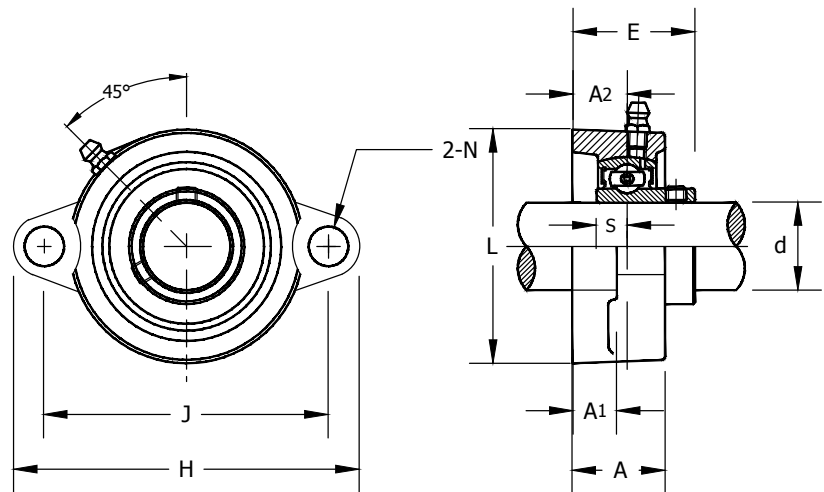


- Set screw locking
- Stainless steel housing
- Stainless steel wide inner ring bearing
- Lubricated with food grade grease
- Cap ready

Unit No.	Shaft Dia.	Dimensions in mm											Bolt Size	Insert No.	Housing No.	Weight (lb)
	d	H0	L	P	A	A1	N	H	j	J	E	S				
UCFBSS204-20MMA	20mm	4-1/4	2-1/2	2-3/8	1	5/16	3/8	1-11/16	7/8	1-1/2	1.347	1/2	5/16	SSUC204-20MM	FBSS204A	1.19
UCFBSS204-12A	3/4	108	63.5	60.3	25.4	8	9.5	43	22.2	38.1	34.2	12.7	M8	SSUC204-12		1.19
UCFBSS205-25MMA	25mm	4-3/4	2-3/4	2-1/2	1-5/64	3/8	3/8	1-13/16	1-1/8	1-5/8	1.433	9/16	5/16	SSUC205-25MM	FBSS205A	1.74
UCFBSS205-16A	1	120.7	69.9	63	28.5	9.5	9.5	46	28.6	41.3	36.4	14.3	M8	SSUC205-16		1.74
UCFBSS206-30MMA	30mm	5-3/8	3-1/4	2-3/4	1-7/64	3/8	3/8	2-1/16	1-1/4	1-7/8	1.610	5/8	5/16	SSUC206-30MM	FBSS206A	2.09
UCFBSS206-19A	1-3/16	136.5	82.6	69.9	32	9.5	9.5	52.4	31.8	47.6	40.9	15.9	M8	SSUC206-19		2.09
UCFBSS206-20A	1-1/4													SSUC206-20		2.07
UCFBSS207-35MMA	35mm	6-1/8	3-3/4	3-1/4	1-1/4	1/2	1/2	2-3/8	1-1/4	2	1.827	11/16	7/16	SSUC207-35MM	FBSS207A	2.84
UCFBSS207-20A	1-1/4	155.6	95.3	82.6	36.5	12.7	12.7	60.3	31.8	50.8	46.4	17.5	M10	SSUC207-20		2.98
UCFBSS207-23A	1-7/16													SSUC207-23		2.78
UCFBSS208-40MMA	40mm	6-15/32	3-15/16	3-1/16	1-13/32	5/8	1/2	2-3/8	1-5/8	1-31/32	2.016	3/4	1/2	SSUC208-40MM	FBSS208A	3.92
UCFBSS208-24A	1-1/2	164.3	100	77.8	35.7	16.5	12.7	60.3	41.3	50	51.2	19	M12	SSUC208-24		4.01
UCFBSS209-45MMA	45mm	6-27/32	4-3/16	3-5/32	1-1/2	23/32	1/2	2-9/16	1-11/16	2-1/8	2.016	3/4	1/2	SSUC209-45MM	FBSS209A	4.21
UCFBSS209-27A	1-11/16	173.9	105.5	80.2	38	18.3	12.7	65.1	42.9	54	51.2	19	M12	SSUC209-27		4.34
UCFBSS210-50MMA	50mm													SSUC210-50MM	FBSS210A	5.20
UCFBSS210-30A	1-7/8	7-1/2	4-5/8	4	1-1/2	23/32	1/2	2-15/16	1-5/8	2-3/4	2.110	3/4	1/2	SSUC210-30		5.36
UCFBSS210-31A	1-15/16	190.5	117.5	101.6	38	18.3	12.7	74.6	41.3	69.9	53.6	19	M12	SSUC210-31		5.25
UCFBSS210-32A	2													SSUC210-32		5.16

Washdown

SBLFSS Stainless Steel Light Duty Two Bolt Flange



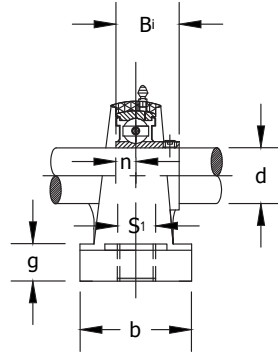
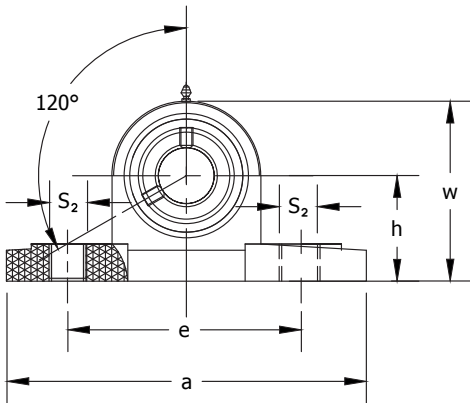
- Set screw locking
- Stainless steel housing
- Stainless steel narrow inner ring bearing
- Lubricated with food grade grease
- Cap ready

Unit No.	Shaft Dia.	Dimensions in mm									Bolt Size	Insert No.	Housing No.	Weight (lb)										
	d	H	J	L	A2	A	A1	E	N	S														
SBLFSS204-12G	3/4	3-9/16	2-13/16	2-13/32	7/16	25/32	7/16	1-5/32	13/32	9/32	5/16	SSSB204-12G	LFSS204	0.72										
SBLFSS204-20MMG	20mm	90	71.5	61	11	20	11	29	10	7	M8				SSSB204-20MMG									
SBLFSS205-14G	7/8	3-3/4	3	2-17/32	7/16	25/32	7/16	1-7/32	13/32	19/64	5/16	SSSB205-14G	LFSS205	0.83										
SBLFSS205-25MMG	25mm														76	64	11	20	11	30.5	10	7.5	M8	SSSB205-25MMG
SBLFSS205-15G	15/16														SSSB205-15G									
SBLFSS205-16G	1														SSSB205-16G									
SBLFSS206-18G	1-1/8	4-15/32	3-9/16	3	15/32	7/8	15/32	1-11/32	15/32	5/16	3/8	SSSB206-18G	LFSS206	1.23										
SBLFSS206-30MMG	30mm														113	90.5	12	22.5	12	34	12	8	M10	SSSB206-30MMG
SBLFSS206-19G	1-3/16														SSSB206-19G									
SBLFSS206-20G	1-1/4														SSSB206-20G									
SBLFSS207-20G	1-1/4	4-13/16	3-15/16	3-1/2	1/2	15/16	17/32	1-7/16	15/32	11/32	3/8	SSSB207-20G	LFSS207	1.76										
SBLFSS207-21G	1-5/16														SSSB207-21G									
SBLFSS207-22G	1-3/8														122	100	13	24	13	36.5	12	8.5	M10	SSSB207-22G
SBLFSS207-35MMG	35mm														SSSB207-35MMG									
SBLFSS207-23G	1-7/16														SSSB207-23G									

Mounted Ball Bearing Units

Washdown

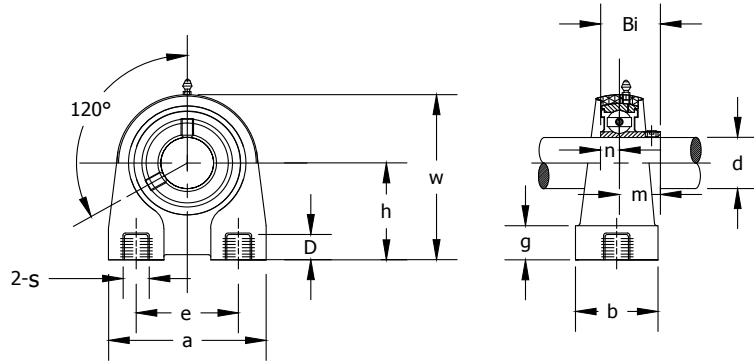
UCPPL Thermoplastic Pillow Blocks



- Set screw locking
- Reinforced PBT housing - solid base
- Stainless steel wide inner ring bearing
- Lubricated with food grade grease
- Dual seal (Type B)
- Supplied with end cap

Unit No.	Shaft Dia.	Dimensions										Bolt Size	Bearing No.	Housing No.	Weight (lb)
	d	h	a	e	b	S1	S2	g	w	Bi	n				
UCPPL204-12SS	3/4	1-5/16	5	3-3/4	1-1/2	7/16	9/16	9/16	2-9/16	1.221	0.500	3/8	SSUC204-12	PPL204	0.64
UCPPL204-20MMSS	20mm	33.3	127	95	38	11	14	14.2	65.5	31	12.7	M10			
UCPPL205-13SS	13/16	1-7/16	5-17/32	4-1/8	1-1/2	7/16	9/16	9/32	2-25/32	1.343	0.563	3/8	SSUC205-13	PPL205	0.75
UCPPL205-14SS	7/8												SSUC205-14		
UCPPL205-15SS	15/16												SSUC205-15		
UCPPL205-16SS	1												SSUC205-16		
UCPPL205-25MMSS	25mm												SSUC205-25MM		
UCPPL206-17SS	1-1/16	1-11/16	6-37/64	4-11/16	1-13/16	9/16	45/64	45/64	3-5/16	1.500	0.626	3/8	SSUC206-17	PPL206	1.19
UCPPL206-18SS	1-1/8												SSUC206-18		
UCPPL206-19SS	1-3/16												SSUC206-19		
UCPPL206-20SS	1-1/4												SSUC206-20		
UCPPL206-30MMSS	30mm												SSUC206-30MM		
UCPPL207-20SS	1-1/4	1-7/8	6-39/64	5	1-7/8	9/16	45/64	45/64	3-23/32	1.689	0.689	7/16	SSUC207-20	PPL207	1.72
UCPPL207-21SS	1-15/16												SSUC207-21		
UCPPL207-22SS	1-3/8												SSUC207-22		
UCPPL207-23SS	1-7/16												SSUC207-23		
UCPPL207-35MMSS	35mm												SSUC207-35MM		
UCPPL208-24SS	1-1/2	1-15/16	7-1/4	5-13/32	2-1/8	9/16	45/64	49/64	3-57/64	1.937	0.748	7/16	SSUC208-24	PPL208	2.14
UCPPL208-25SS	1-9/16												SSUC208-25		
UCPPL208-40MMSS	40mm												SSUC208-40MM		
UCPPL210-29SS	1-13/16	2-1/4	8-1/8	6-1/4	2-3/8	43/64	25/32	29/32	4-31/64	2.032	0.748	5/8	SSUC210-29	PPL210	2.65
UCPPL210-30SS	1-7/8												SSUC210-30		
UCPPL210-31SS	1-15/16												SSUC210-31		
UCPPL210-32SS	2												SSUC210-32		
UCPPL210-50MMSS	50mm												SSUC210-50MM		

Washdown UCPAPL Thermoplastic Tapped Base Pillow Blocks



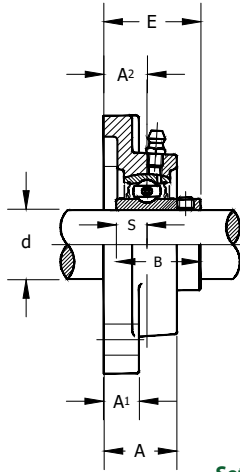
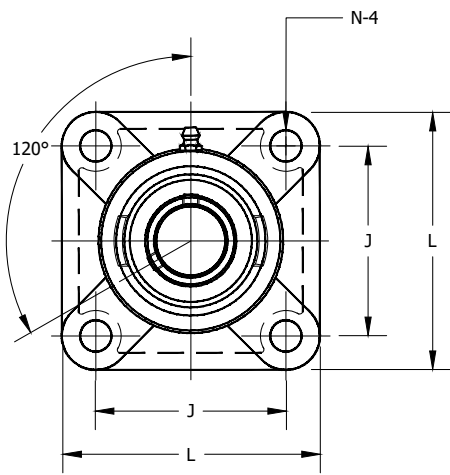
- Set screw locking
- Reinforced PBT housing - solid base
- Stainless steel wide inner ring bearing
- Lubricated with food grade grease
- Dual seal (Type B)
- Supplied with end cap

Unit No.	Shaft Dia.	Dimensions in mm										Insert No.	Housing No.	Weight (lb)
	d	h	a	e	B	S	W	G	n	Bi	D			
UCPAPL204-12ASS	3/4	1-5/16	2-15/16	2	1-3/8	3/8-16UNC	2-5/8	37/64	1/2	1.2205	0.5906	SSUC204-12	PAPL204	1.21
UCPAPL204-20MMSS	20mm	36.3	74	50.8	35	M10x1	66.5	14.5	12.7	31	15	SSUC204-20MM		
UCPAPL205-13ASS	13/16	1-7/16	3	2	1-1/2	3/8-16UNC	2-15/16	1/2	9/16	1.3425	0.5906	SSUC205-13	PAPL205	1.34
UCPAPL205-14ASS	7/8											SSUC205-14		
UCPAPL205-15ASS	15/16											SSUC205-15		
UCPAPL205-16ASS	1											SSUC205-16		
UCPAPL205-25MMSS	25mm											SSUC205-25MM		
UCPAPL206-17ASS	1-1/16											1-11/16		
UCPAPL206-18ASS	1-1/8	SSUC206-18												
UCPAPL206-19ASS	1-3/16	SSUC206-19												
UCPAPL206-20ASS	1-1/4	SSUC206-20												
UCPAPL206-30MMSS	30mm	SSUC206-30MM												
UCPAPL207-20ASS	1-1/4	1-7/8	4-3/8	3-1/4	1-7/8	1/2-13UNC	3-3/4	3/4	11/16	1.6890	0.7874		SSUC207-20	PAPL207
UCPAPL207-21ASS	1-5/16											SSUC207-21		
UCPAPL207-22ASS	1-3/8											SSUC207-22		
UCPAPL207-23ASS	1-7/16											SSUC207-23		
UCPAPL207-35MMSS	35mm											SSUC207-35MM		
UCPAPL208-24ASS	1-1/2											1-15/16	4-3/4	
UCPAPL208-25ASS	1-9/16	SSUC208-25												
UCPAPL208-40MMSS	40mm	SSUC208-40MM												

Mounted Ball Bearing Units

Washdown

UCFPL Thermoplastic Four Bolt Flange Units

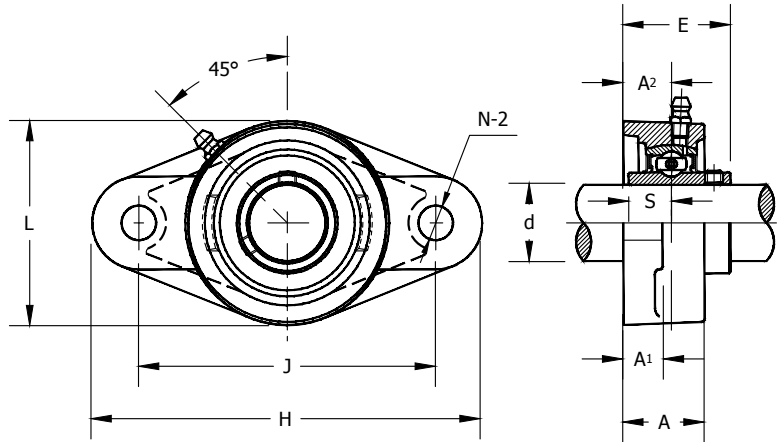


- Set screw locking
- Reinforced PBT housing - solid base
- Stainless steel wide inner ring bearing
- Lubricated with food grade grease
- Dual seal (Type B)
- Supplied with end cap

Unit No.	Shaft Dia.	Dimensions in mm									Bolt Size	Bearing No.	Housing No.	Weight (lb)
	d	L	J	A1	B	N	A	A2	E	S				
UCFPL204-12SS	3/4	3-11/32	2-1/2	17/32	1-7/32	7/16	1-1/16	23/32	1.219	0.5000	3/8	SSUC204-12	FPL204	0.64
UCFPL204-20MMSS	20mm	86	63.5	13.4	31	11	27.8	18	31	12.7	M10	SSUC204-20MM		
UCFPL205-13SS	13/16	3-3/4 95	2-25/32 70	19/16 14	1-11/32 34.1	7/16 11	1-1/8 28	11/16 17	1.343 34.1	0.563 14.3	3/8 M10	SSUC205-13	FPL205	0.75
UCFPL205-14SS	7/8											SSUC205-14		
UCFPL205-15SS	15/16											SSUC205-15		
UCFPL205-16SS	1											SSUC205-16		
UCFPL205-25MMSS	25mm											SSUC205-25MM		
UCFPL206-17SS	1-1/16											4-7/32 107		
UCFPL206-18SS	1-1/8	SSUC206-18												
UCFPL206-19SS	1-3/16	SSUC206-19												
UCFPL206-20SS	1-1/4	SSUC206-20												
UCFPL206-30MMSS	30mm	SSUC206-30MM												
UCFPL207-20SS	1-1/4	4-21/32 118	3-5/8 92	19/32 15.5	1-11/16 42.9	17/32 13	1-3/8 34.8	27/32 21.5	1.688 42.9	0.688 17.5	1/2 M14		SSUC207-20	FPL207
UCFPL207-21SS	1-5/16											SSUC207-21		
UCFPL207-22SS	1-3/8											SSUC207-22		
UCFPL207-23SS	1-7/16											SSUC207-23		
UCFPL207-35MMSS	35mm											SSUC207-35MM		
UCFPL208-24SS	1-1/2											5-1/8 130	4-1/32 102	
UCFPL208-25SS	1-9/16	SSUC208-25												
UCFPL208-40MMSS	40mm	SSUC208-40MM												

Washdown

UCFLPL Thermoplastic Two Bolt Flange Units



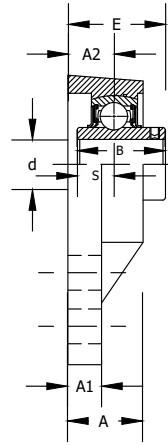
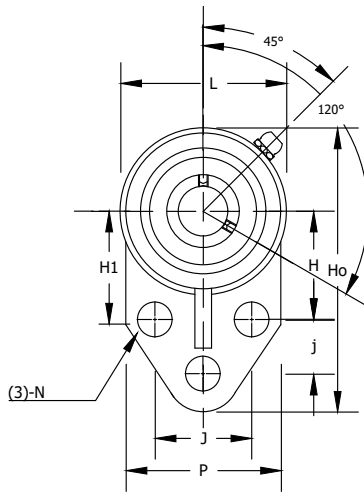
- Set screw locking
- Reinforced PBT housing - solid base
- Stainless steel wide inner ring bearing
- Lubricated with food grade grease
- Dual seal (Type B)
- Supplied with end cap

Unit No.	Shaft Dia.	Dimensions in mm									Bolt Size	Bearing No.	Housing No.	Weight
	d	H	J	L	A1	A	N	E	S	A2				
UCFLPL204-12SS	3/4	4-9/20	3-35/64	2-22/64	29/64	1-3/64	7/16	1-21/64	39/64	0.500	3/8 M10	SSUC204-12	FLPL204	0.53
UCFLPL204-20MMSS	20mm	113	90	64	11.4	26.5	11	33.7	15.4	12.7		SSUC204-20MM		
UCFLPL205-13SS	13/16	5-5/32 131	3-57/64 99	2-47/64 69.5	17/32 14	1-9/64 29.5	7/16 11	1-7/16 36.7	43/64 17	0.563 14.3	3/8 M10	SSUC205-13	FLPL205	0.66
UCFLPL205-14SS	7/8											SSUC205-14		
UCFLPL205-15SS	15/16											SSUC205-15		
UCFLPL205-16SS	1											SSUC205-16		
UCFLPL205-25MMSS	25mm											SSUC205-25MM		
UCFLPL206-17SS	1-1/16	5-53/64 148	4-39/64 117	3-5/32 79	17/32 14	1-13/64 30.5	7/16 11	1-5/8 41.2	3/4 19	0.626 15.9	3/8 M10	SSUC206-17	FLPL206	0.99
UCFLPL206-18SS	1-1/8											SSUC206-18		
UCFLPL206-19SS	1-3/16											SSUC206-19		
UCFLPL206-20SS	1-1/4											SSUC206-20		
UCFLPL206-30MMSS	30mm											SSUC206-30MM		
UCFLPL207-20SS	1-1/4	6-29/64 164	5-1/8 130	3-35/64 89	41/64 16	1-19/64 32.8	33/64 13	1-45/64 43.4	45/64 18	0.689 17.5	7/16 M12	SSUC207-20	FLPL207	1.46
UCFLPL207-21SS	1-5/16											SSUC207-21		
UCFLPL207-22SS	1-3/8											SSUC207-22		
UCFLPL207-23SS	1-7/16											SSUC207-23		
UCFLPL207-35MMSS	35mm											SSUC207-35MM		
UCFLPL208-24SS	1-1/2	6-59/64 175	5-43/64 144	3-15/16 99	25/32 20	1-15/32 37.5	35/64 14	2-1/32 51.7	27/32 21.5	0.748 19	7/16 M12	SSUC208-24	FLPL208	1.92
UCFLPL208-25SS	1-9/16											SSUC208-25		
UCFLPL208-40MMSS	40mm											SSUC208-40MM		

Mounted Ball Bearing Units

Washdown

UCFBPL Thermoplastic Three Bolt Flange Units



- Set screw locking
- Reinforced PBT housing - solid base
- Stainless steel wide inner ring bearing
- Lubricated with food grade grease
- Dual seal (Type B)
- Supplied with end cap

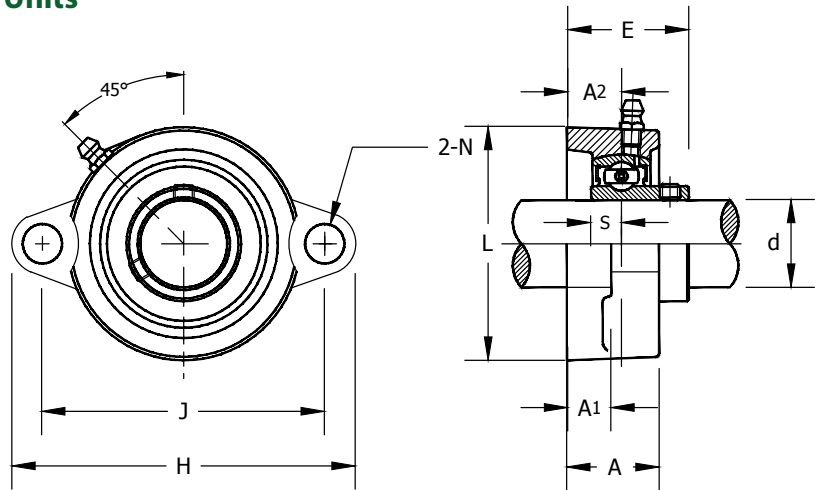
Unit No.	Shaft Dia.	Dimensions in mm											Bolt Size	Insert No.	Housing No.	Weight (lb)	
	d	H0	L	P	A	A1	N	H	j	J	E	S					
UCFBPL201-8ASS	1/2													7/16 M10	SSUC201-8	FBPL204A	1.26
UCFBPL202-10ASS	5/8	4-1/4	2-1/2	2-3/8	1	7/16	25/64	1-11/16	7/8	1-1/2	1.347	1/2	SSUC202-10		1.26		
UCFBPL204-20MMASS	20mm	108.5	62	60	25.4	12	11	42.9	22.2	38.1	34.2	12.7	SSUC204-20MM		1.19		
UCFBPL204-12ASS	3/4												SSUC204-12		1.19		
UCFBPL205-25MMASS	25mm	4-3/4	2-3/4	2-1/2	1-5/64	7/16	25/67	1-13/16	1-1/8	1-5/8	1.433	21/32	7/16 M10	SSUC205-25MM	FBPL205A	1.74	
UCFBPL205-16ASS	1	120.7	69	63.5	33.5	12	11	46	28.6	41.3	36.4	14.3		SSUC205-16		1.74	
UCFBPL206-30MMASS	30mm												7/16 M10	SSUC206-30MM	FBPL206A	2.09	
UCFBPL206-19ASS	1-3/16	5-3/8	3-1/4	2-3/4	1-7/64	17/32	25/64	2-1/16	1-1/4	1-7/8	1.610	5/8		SSUC206-19		2.09	
UCFBPL206-20ASS	1-1/4	140	82.6	75	31.5	14	11	52.4	31.8	47.6	40.9	15.9		SSUC206-20		2.07	
UCFBPL207-35MMASS	35mm												1/2 M12	SSUC207-35MM	FBPL207A	2.84	
UCFBPL207-20ASS	1-1/4	6-1/8	3-3/4	3-1/4	1-1/4	11/16	33/64	2-3/8	1-1/4	2	1.827	11/16		SSUC207-20		2.98	
UCFBPL207-22ASS	1-3/8	158	94	89	36.5	17	13.1	60.3	31.8	50.8	46.4	17.5		SSUC207-22		2.84	
UCFBPL207-23ASS	1-7/16													SSUC207-23		2.78	
UCFBPL208-40MMASS	40mm												1/2 M12	SSUC208-40MM	FBPL208A	3.92	
UCFBPL208-24ASS	1-1/2	6-15/32	3-15/16	3-1/16	1-13/32	23/32	33/64	2-3/8	1-5/8	1-31/32	2.016	53/64		SSUC208-24		4.01	
UCFBPL208-25ASS	1-9/16	164.3	100	77.8	35.7	18	13.1	60.3	41.3	50	51.2	19		SSUC208-25		3.95	

Washdown

SBLFPL Thermoplastic Two Bolt Flange Units



- Set screw locking
- Reinforced PBT housing - solid base
- Stainless steel narrow inner ring bearing
- Lubricated with food grade grease
- Dual seal (Type B)
- Supplied with end cap

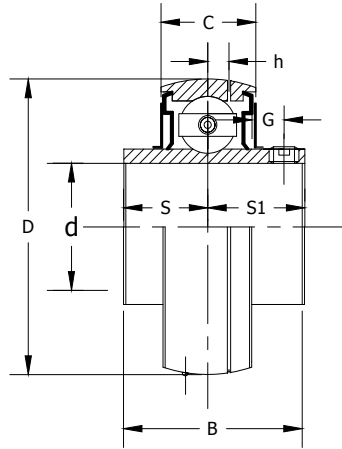
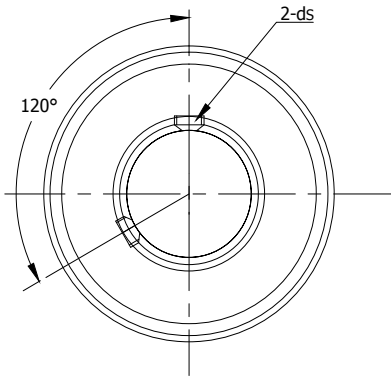


Unit No.	Shaft Dia.	Dimensions in mm									Bolt Size	Insert No.	Housing No.	Weight (lb)	
	d	H	J	L	A2	A	A1	E	N	S					
SBLFPL201-12MMGSS	12mm											5/16 M8	SSSB201-12MMG	LFPL203	0.59
SBLFPL201-8GSS	1/2												SSSB201-8G		0.59
SBLFPL202-15MMGSS	15mm	3-3/16	2-1/2	2-7/32	3/8	5/8	3/8	1	11/32	1/4		5/16 M8	SSSB202-15MMG	LFPL203	0.59
SBLFPL202-10GSS	5/8	81	63.5	56	9.5	16	9.5	25.4	9	6			SSSB202-10G		0.57
SBLFPL203-17MMGSS	17mm											5/16 M8	SSSB203-17MMG	LFPL203	0.57
SBLFPL203-11GSS	11/16												SSSB203-11G		0.55
SBLFPL204-12GSS	3/4	3-9/16	2-13/16	2-5/8	7/16	23/32	3/8	1-5/32	11/32	9/32		5/16 M8	SSSB204-12G	LFPL204	0.72
SBLFPL204-20MMGSS	20mm	90.5	71.5	66.5	11	18.4	9.5	29	9	7			SSSB204-20MMG		0.72
SBLFPL205-14GSS	7/8											5/16 M8	SSSB205-14G	LFPL205	0.83
SBLFPL205-25MMGSS	25mm	3-13/16	3	2-25/32	7/16	23/32	13/32	1-7/32	11/32	19/64			SSSB205-25MMG		0.83
SBLFPL205-15GSS	15/16	97	76	71	11	18.4	10	30.5	9	7.5			SSSB205-15G		0.83
SBLFPL205-16GSS	1												SSSB205-16G		0.83
SBLFPL206-18GSS	1-1/8											3/8 M10	SSSB206-18G	LFPL206	1.23
SBLFPL206-30MMGSS	30mm	4-15/32	3-9/16	3-5/16	15/32	25/32	15/32	1-11/32	7/16	5/16			SSSB206-30MMG		1.23
SBLFPL206-19GSS	1-3/16	113	90.5	84	12	20.5	11.5	34	11	8			SSSB206-19G		1.23
SBLFPL206-20GSS	1-1/4												SSSB206-20G		1.23
SBLFPL207-20GSS	1-1/4											3/8 M10	SSSB207-20G	LFPL207	1.76
SBLFPL207-21GSS	1-5/16												SSSB207-21G		1.76
SBLFPL207-22GSS	1-3/8	5	3-15/16	3-23/32	1/2	29/32	1/2	1-7/16	7/16	11/32			SSSB207-22G		1.76
SBLFPL207-35MMGSS	35mm	126	100	94	13	22.5	12.5	36.5	11	8.5			SSSB207-35MMG		1.76
SBLFPL207-23GSS	1-7/16												SSSB207-23G		1.76

Mounted Ball Bearing Units

Washdown

SSUC Stainless Steel Standard Duty Set Screw Type Insert



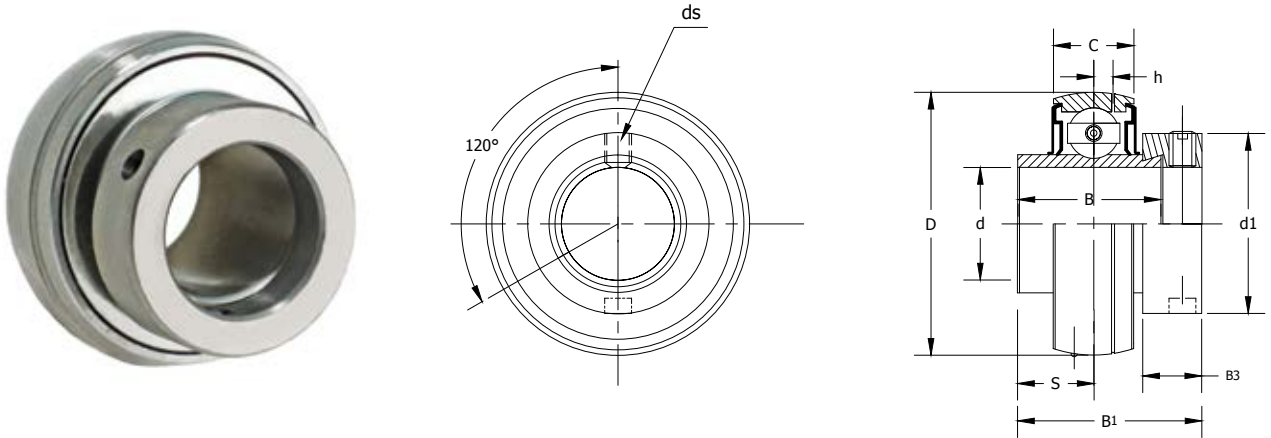
- Lubricated with food grade grease
- Anti-rotation device
- Dual seal (Type B)
- Wide inner ring bearing
- Lubrication groove with hole on set screw side
- Additional oil hole on opposite side

Insert No.	Shaft Dia.	Dimensions in mm								Basic Load Rating		Weight (lb)	
		d	D	B	C	S	S1	G	H	DS	Dynamic		Static
SSUC201-8	1/2												0.480
SSUC202-10	5/8	1.8540	1.2205	0.6299	0.5000	0.7205	0.1850	0.1732	1/4-28UNF	2440	1225	0.440	
SSUC204-12	3/4	47	31.0	16	12.7	18.3	4.7	4.4	M6X1			0.400	
SSUC204-20MM	20mm											0.370	
SSUC205-14	7/8											0.510	
SSUC205-25MM	25mm	2.0472	1.3386	0.6693	0.5630	0.7756	0.2165	0.1693	1/4-28UNF	2700	1440	0.460	
SSUC205-16	1	52	34.0	17	14.3	19.7	5.5	4.3	M6X1			0.440	
SSUC206-18	1-1/8											0.750	
SSUC206-30MM	30mm	2.4409	1.5000	0.7480	0.6260	0.8740	0.2165	0.1969	1/4-28UNF	3720	2000	0.710	
SSUC206-19	1-3/16	62	38.1	19	15.9	22.2	5.5	5.0	M6X1			0.680	
SSUC206-20	1-1/4											0.660	
SSUC207-20	1-1/4											1.160	
SSUC207-21	1-5/16											1.120	
SSUC207-22	1-3/8	2.8346	1.6890	0.7874	0.6890	1.0000	0.2559	0.2283	5/16-24UNF	4900	2800	1.050	
SSUC207-35MM	35mm	72	42.9	20	17.5	25.4	6.5	5.8	M8X1			1.030	
SSUC207-23	1-7/16											0.990	
SSUC208-24	1-1/2	3.1496	1.9370	0.8268	0.748	1.1890	0.3150	0.2480	5/16-24UNF	5650	3300	1.490	
SSUC208-40MM	40mm	80	49.2	21	19.0	30.2	8.0	6.3	M8X1			1.410	
SSUC209-27	1-11/16											1.630	
SSUC209-28	1-3/4	3.3465	1.9370	0.8661	0.7480	1.1890	0.3150	0.2677	5/16-24UNF	6200	3300	1.540	
SSUC209-45MM	45mm	85	49.2	22	19.0	30.2	8.0	6.8	M8X1			1.500	
SSUC210-31	1-15/16											1.810	
SSUC210-50MM	50mm	90	51.6	23	19.0	32.6	9.0	6.5	M10X1.25	6500	4000	1.760	
SSUC210-32	2	3.5433	2.0315	0.9055	0.7480	1.2835	0.3543	0.2559	3/8-24UNF			1.720	
SSUC211-32	2											2.790	
SSUC211-55MM	55mm	3.9370	2.1890	0.9843	0.8740	1.3150	0.3543	0.2835	3/8-24UNF	7700	4900	2.460	
SSUC211-35	2-3/16	100	55.6	25	22.2	33.4	9.0	7.2	M10Z1.25			2.420	
SSUC212-38	2-1/4											3.670	
SSUC212-60MM	60mm	4.3301	2.5630	1.0630	1.000	1.5630	0.4134	0.3228	3/8-24UNF	8900	5800	3.360	
SSUC212-39	2-7/16	110	65.1	27	25.4	39.7	10.5	8.2	M10X1.25			3.370	

Dual seal standard. Triple seal optional (R3 suffix, i.e. SSUC205-16R3)

Washdown

SSHC Stainless Steel Standard Duty Eccentric Locking Collar Inset



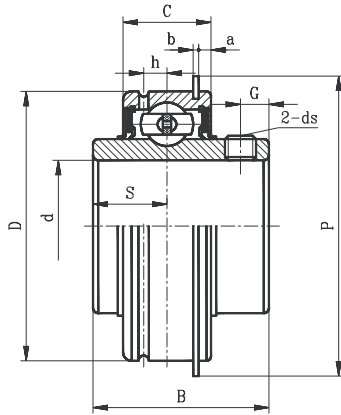
- Wide inner ring bearing
- Lubrication groove with hole on set screw side
- Additional oil hole on opposite side
- Lubricated with food grade grease
- Anti-rotation device
- Dual seal (Type B)

Insert No.	Shaft Dia.	Dimensions <small>in mm</small>									Basic Load Rating		Weight (lb)								
	d	D	B1	B	C	S	h	B3	D1	ds	Dynamic	Static									
SSHC204-20MM	20mm	1.8504	1.7205	1.3465	0.6693	0.6732	0.1890	0.5315	1.3110	1/4-28UNF	2440	1225	0.51								
SSHC204-12	3/4	47	43.7	34.2	17	17.1	4.8	13.5	33.3	M6x1											
SSHC205-25MM	25mm	2.0472	1.7480	1.3740	0.6693	0.6890	0.1890	0.5315	1.5000	1/4-28UNF	2700	1440	0.6								
SSHC205-14	7/8													52	44.4	34.9	17	17.5	4.8	13.5	M6x1
SSHC205-16	1																				
SSHC206-30MM	30mm	2.4409	1.9055	1.4370	0.7480	0.7205	0.2362	0.6260	1.7520	5/16-24UNF	3720	2000	0.99								
SSHC206-18	1-1/8													62	48.4	36.5	19	18.3	6	15.9	M8x1
SSHC206-19	1-3/16																				
SSHC206-20	1-1/4																				
SSHC207-35MM	35mm	2.8346	2.0118	1.4803	0.7874	0.7402	0.2677	0.6890	2.1890	5/16-24UNF	4900	2800	1.32								
SSHC207-20	1-1/4													72	51.1	37.6	20	18.8	6.8	17.5	M8x1
SSHC207-21	1-5/16																				
SSHC207-22	1-3/8																				
SSHC207-23	1-7/16																				
SSHC208-40MM	40mm	3.1496	2.2165	1.6850	0.8268	0.8425	0.2677	0.7205	2.3740	5/16-24UNF	5650	3300	1.74								
SSHC208-24	1-1/2	80	56.3	42.8	21	21.4	6.8	18.3	M8x1												

Mounted Ball Bearing Units

Washdown

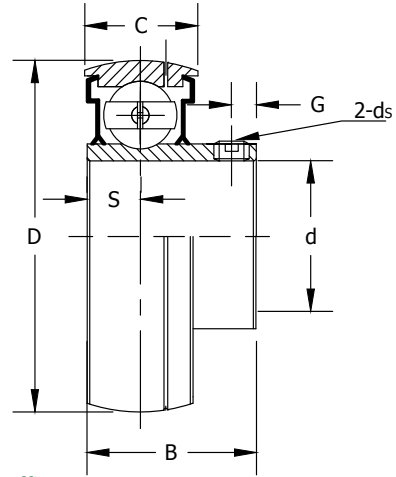
SSER Series Stainless Steel Set Screw Locking



- Wide inner ring bearing
- Snap ring on set screw side and lubrication groove
- Cylindrical outer diameter
- Dual seal (Type B)
- Lubricated with food grade grease

Insert No.	Shaft Dia.	Dimensions <small>in mm</small>										Basic Load Rating		Weight (lb)	
		d	D	B	C	S	a	b	P	G	h	ds	Dynamic		Static
SSER8	1/2														0.49
SSER10	5/8	1.8504	1.2205	0.6260	0.4055	0.0969	0.044	2.0748	0.1890	0.1732	1/4-28UNF	2440	1225	0.49	
SSER20MM	20mm	47	31	15.9	10.3	2.46	1.12	52.7	4.8	4.4	M6x1			0.46	
SSER12	3/4													0.46	
SSER25MM	25mm													0.60	
SSER14	7/8	2.0472	1.3740	0.7480	0.5157	0.0969	0.044	2.2795	0.1969	0.1772	1/4-28UNF	2700	1440	0.60	
SSER16	1	52	34.9	19	13.1	2.46	1.12	57.9	5	4.5	M6x1			0.60	
SSER30MM	30mm														0.86
SSER18	1-1/8	2.4409	1.5000	0.8740	0.6260	0.1291	0.067	2.6654	0.1969	0.2087	1/4-28UNF	3770	2000	0.86	
SSER19	1-3/16	62	38.1	22.2	15.9	3.28	1.7	67.7	5	5.3	M6x1			0.86	
SSER20S	1-1/4													0.86	
SSER35MM	35mm														1.39
SSER20	1-1/4	2.8346	1.6890	0.9370	0.6890	0.1291	0.067	3.0945	0.2638	0.2283	1/4-28UNF	4900	2800	1.39	
SSER22	1-3/8	72	42.9	23.8	17.5	3.28	1.7	78.6	6.7	5.8	M8x1			1.39	
SSER23	1-7/16													1.39	
SSER40MM	40mm														1.79
SSER24	1-1/2	3.1496	1.9370	1.0945	0.7480	0.1291	0.067	3.4094	0.3150	0.2480	1/4-28UNF	5650	3300	1.79	
		80	49.2	27.8	19	3.28	1.7	86.6	8	6.3	M8x1			1.79	

Washdown SSSB Stainless Steel Light Duty Set Screw Locking Type

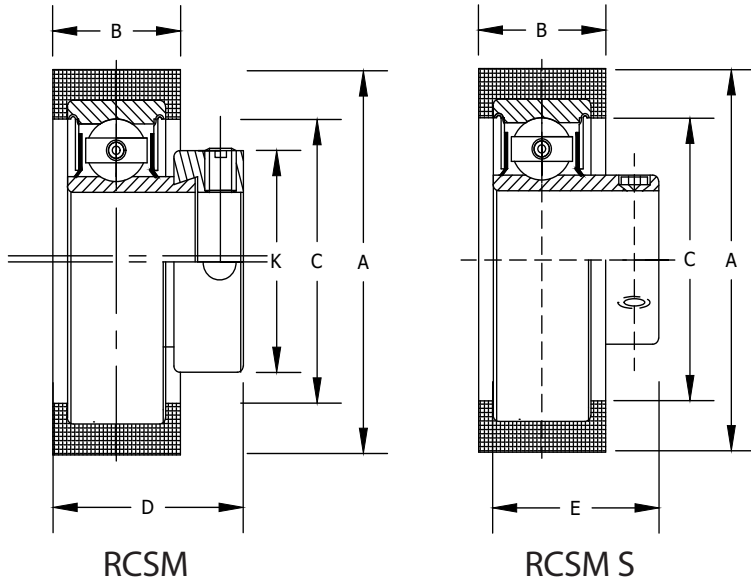


- Narrow inner ring bearing
- Lubrication groove with hole on collar side and additional oil hole on opposite side (G suffix)
- Dual seal (K Type)
- Lubricated with food grade grease

Insert No.	Shaft Dia.	Dimensions <small>in mm</small>							Basic Load Rating		Weight (lb)							
	d	D	B	C	S	H	G	ds	Dynamic	Static								
SSSB201-8G	1/2	1.5748	0.8661	0.4724	0.2362	0.1417	0.1772	10-32UNF	1800	900	0.22							
SSSB202-10G	5/8	40	22	12	6	3.6	4.5	M5x0.8			0.22							
SSSB204-20MMG	20mm	1.8504	0.9843	0.5512	0.2756	0.1575	0.1772	1/4-28UNF	2440	1225	0.29							
SSSB204-12G	3/4	47	25	14	7	4	4.5	M6x1			0.31							
SSSB205-25MMG	25mm	2.0472	1.0630	0.5906	0.2953	0.1693	0.2165	1/4-28UNF	2700	1440	0.35							
SSSB205-14G	7/8										52	27	15	7.5	4.3	5.5	M6x1	0.40
SSSB205-16G	1																	0.35
SSSB206-30MMG	30mm	2.4409	1.1811	0.6299	0.3150	0.1969	0.2362	1/4-28UNF	3720	2000	0.55							
SSSB206-19G	1-3/16										62	30	16	8	5	6	M6x1	0.55
SSSB206-20G	1-1/4																	0.53
SSSB207-35MMG	35mm	2.8346	1.2598	0.6693	0.3346	0.2244	0.2559	5/16-24UNF	4900	2800	0.84							
SSSB207-20G	1-1/4										72	32	17	8.5	5.7	6.5	M8x1	0.95
SSSB207-23G	1-7/16																	0.82

Rubber Mounted Cartridge Units

RCSM Series



- Conductive rubber interliner
- Used to dissipate static and reduce noise and vibration

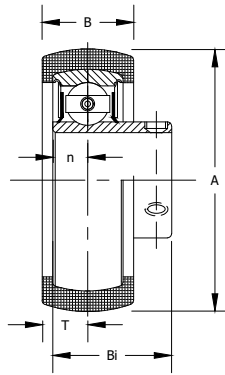
RCSM Eccentric Locking Collar Type

Unit No.	Shaft Dia. d	Dimensions in mm						Bearing No.	Weight (lb)
	in.	A	B	C	D	E	K		
RCSM-8	1/2	2-17/32	1	1-3/8	1-3/8	-	1-1/8	CSA201-8	0.44
RCSM-10	5/8							CSA202-10	
RCSM-12	3/4	2-17/32	1	1-9/16	1-27/64	-	1-5/16	CSA204-12	0.52
RCSM-14	7/8	2-17/32	1	1-25/32	1-27/64	-	1-1/2	CSA205-14	0.65
RCSM-15	15/16							CSA205-15	
RCSM-16	1							CSA205-16	
LRCSM-19	1-3/16	2-17/32	1	1-7/8	1-9/32	-	1-21/32	CSA006-19	0.65

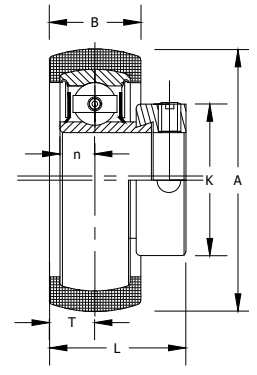
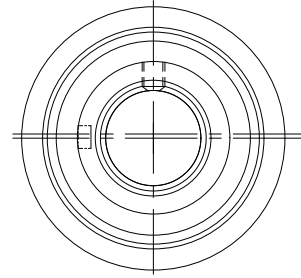
RCSMS Set Screw Locking Type

Unit No.	Shaft Dia. d	Dimensions in mm						Bearing No.	Weight (lb)
	in.	A	B	C	D	E	K		
RCSM-8S	1/2	2-17/32	1	1-3/8	1-3/8	1-9/64	-	CSB201-8	0.35
RCSM-10S	5/8							CSB202-10	
RCSM-12S	3/4	2-17/32	1	1-9/16	1-27/64	1-7/32	-	CSB204-12	0.48
RCSM-14S	7/8	2-17/32	1	1-25/32	1-27/64	1-9/32	-	CSB205-14	0.53
RCSM-15S	15/16							CSB205-15	
RCSM-16S	1							CSB205-16	

RABR Series



RABR S



RABR

- Conductive rubber interliner
- Used to dissipate static and reduce noise and vibration

RABR Eccentric Locking Collar Type

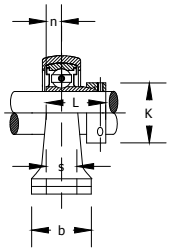
Unit No.	Shaft Dia. d	Dimensions in mm						Bearing No.	Weight (lb)	
	in.	A	B	L	n	T	K			
RABR-8	1/2	1-7/8	11/16	1.1260	0.2362	11/32	1-1/8	SA201-8	0.35	
RABR-10	5/8	47.6						SA202-10		
RABR-12	3/4	2-1/16	11/16	1.2205	0.2756	11/32	1-1/4	SA204-12	0.37	
RABR-14	7/8	2-29/64	25/32	1.2205	0.2953	13/32	1-1/2	SA205-14	0.49	
RABR-15	15/16							62.4		SA205-15
RABR-16	1							SA205-16		
RABR-17	1-1/16	2-27/32	13/16	1.4055	0.3150	13/32	1-3/4	SA006-17	0.79	
RABR-18	1-1/8							72.4		SA206-18
RABR-19	1-3/16							SA206-19		
RABR-20	1-1/4							SA206-20		

RABR S Set Screw Locking Type

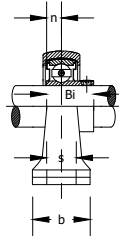
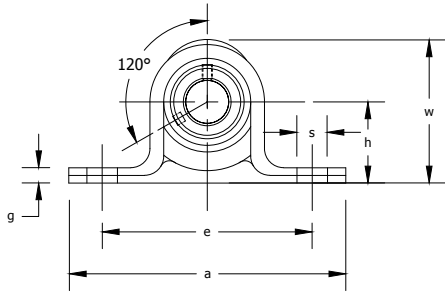
Unit No.	Shaft Dia. d	Dimensions in mm					Bearing No.	Weight (lb)	
	in.	A	B	L	n	T			
RABR-8S	1/2	1-7/8	11/16	0.8661	0.2362	11/32	SB201-8	0.24	
RABR-10S	5/8	47.6					SB202-10		
RABR-12S	3/4	2-1/16	11/16	0.9843	0.2756	11/32	SB204-12	0.35	
RABR-14S	7/8	2-29/64	25/32	1.0630	0.2953	13/32	SB205-14	0.42	
RABR-15S	15/16						62.4		SB205-15
RABR-16S	1						SA205-16		
RABR-17S	1-1/16	2-27/32	13/16	1.1811	0.3150	13/32	SB206-17	0.97	
RABR-18S	1-1/8						72.4		SB206-18
RABR-19S	1-3/16						SA206-19		
RABR-20S	1-1/4						SA206-20		

Rubber Cushioned Pressed Steel Pillow Blocks

RPB Series



RPB



RPB S



- Conductive rubber interliner
- Used to dissipate static and reduce noise and vibration

RPB Eccentric Locking Collar Type

Unit No.	Shaft Dia. d	Dimensions										Bolt Size (in)	Bearing No.	Housing No.	Weight (lb)
	in.	h	a	e	b	s	g	w	L	n	K				
RPB-8	1/2	1	3-7/8	3	1-1/4	23/64	3/32	1-31/32	1.1260	0.256	1-1/8	5/16	RABR-8	PP204	0.46
RPB-10	5/8												RABR-10		
RPB-12	3/4	1-1/8	4-1/4	3-3/8	1-1/4	7/16	1/8	2-7/32	1.2205	0.295	1-1/4	3/8	RABR-12	PP205	0.70
RPB-14	7/8	1-5/16	4-5/8	3-3/4	1-1/2	7/16	5/32	2-19/32	1.2205	0.295	1-1/2	3/8	RABR-14	PP206	0.97
RPB-15	15/16												RABR-15		
RPB-16	1												RABR-16		
RPB-18	1-1/8	1-9/16	5-1/16	4-3/16	1-5/8	7/16	3/16	3-1/16	1.4055	0.354	1-3/4	3/8	RABR-18	PP207	1.21
RPB-19	1-3/16												RABR-19		
RPB-20	1-1/4												RABR-20		

RPB S Set Screw Locking Type

Unit No.	Shaft Dia. d	Dimensions										Bolt Size (in)	Bearing No.	Housing No.	Weight (lb)
	in.	h	a	e	b	s	g	w	L	Bi	n				
RPB-8S	1/2	1	3-7/8	3	1-1/4	23/64	3/32	1-31/32	1.1260	0.8661	0.236	5/16	RABR-8S	PP204	0.37
RPB-10S	5/8												RABR-10S		
RPB-12S	3/4	1-1/8	4-1/4	3-3/8	1-1/4	7/16	1/8	2-7/32	1.2205	0.9843	0.275	3/8	RABR-12S	PP205	0.58
RPB-14S	7/8	1-5/16	4-5/8	3-3/4	1-1/2	7/16	5/32	2-19/32	1.2205	1.0630	0.295	3/8	RABR-14S	PP206	0.77
RPB-15S	15/16												RABR-15S		
RPB-16S	1												RABR-16S		
RPB-18S	1-1/8	1-9/16	5-1/16	4-3/16	1-5/8	7/16	3/16	3-1/16	1.4055	1.1811	0.315	3/8	RABR-18S	PP207	1.06
RPB-19S	1-3/16												RABR-19S		
RPB-20S	1-1/4												RABR-20S		

Non-Relubricable (Lubricated for Life)



Round Bore

Bearing Designation	OD Type	Bore Diameter		Outside Diameter		Outer Ring Width		Inner Ring Width		Dynamic Load C (Lbs)	Static Load C (Lbs)
		in	mm	in	mm	in	mm	in	mm		
W208PP10	Cylindrical	1.5005	38.11	3.15	80	0.827	21	1.691	42.95	7340	3650
W208PPB10	Spherical	1.5005	38.11	3.15	80	0.827	21	1.691	42.95	7340	3650
W208PPB7	Spherical	1.188	30.18	3.15	80	0.709	18	1.188	30.18	7340	3650
W209PPB2	Spherical	1.772	45	3.346	85	1.188	30.18	1.188	30.18	7350	4150
W209PPB4	Spherical	1.535	39	3.346	85	1.188	30.18	1.188	30.18	7350	4150
W210PP2	Cylindrical	1.938	49.23	3.543	90	1.188	30.18	1.188	30.18	7880	4650
W210PPB2	Spherical	1.938	49.23	3.543	90	1.188	30.18	1.188	30.18	7880	4650
W210PPB5	Spherical	1.785	45.34	3.543	90	1.188	30.18	1.188	30.18	7880	4650
W211PP2	Cylindrical	2.188	55.58	3.937	100	1.312	33.32	1.312	33.32	9740	5850
W211PPB2	Spherical	2.188	55.58	3.937	100	1.312	33.32	1.312	33.32	9740	5850

Square Bore

Bearing Designation	Type	Shaft Size		Bore Diameter		Outside Diameter		Outer Ring Width		Inner Ring Width		Dynamic Load C (Lbs)	Static Load C (Lbs)
		in	mm	in	mm	in	mm	in	mm	in	mm		
W208PP5	Cylindrical	1 1/8	28.58	1.18	29.97	3.15	80	0.709	18	1.438	36.53	7340	3650
W208PP6	Cylindrical	1	1	1.03	26.16	3.15	80	0.709	18	1.438	36.53	7340	3650
W208PP8	Cylindrical	1 1/8	28.58	1.18	29.97	3.15	80	1.188	30.18	1.438	36.53	7340	3650
W208PPB11	Spherical	7/8	22.23	0.905	22.99	3.376	85.75	1.188	30.18	1.188	30.18	7340	3650
W208PPB12	Spherical	1 1/8	28.58	1.18	29.97	3.376	85.75	1.188	30.18	1.188	30.18	7340	3650
W208PPB13	Spherical	7/8	22.23	0.905	22.99	3.15	80	0.709	18	1.438	36.53	7340	3650
W208PPB5	Spherical	1 1/8	28.58	1.18	29.97	3.15	80	0.709	18	1.438	36.53	7340	3650
W208PPB6	Spherical	1	25.4	1.03	26.16	3.15	80	0.709	18	1.438	36.53	7340	3650
W208PPB8	Spherical	1 1/8	28.58	1.18	29.97	3.15	80	1.188	30.18	1.438	36.53	7340	3650
W209PPB5	Spherical	1 1/4	31.75	1.29	32.77	3.346	85	1.188	30.18	1.438	36.53	7350	4150
W210PP4	Cylindrical	1 1/8	28.58	1.18	29.97	3.543	90	1.188	30.18	1.188	30.18	7880	4650
W210PPB4	Spherical	1 1/8	28.58	1.18	29.97	3.543	90	1.188	30.18	1.188	30.18	7880	4650
W211PP3	Cylindrical	1 1/2	38.1	1.5311	38.89	3.937	100	1.312	33.32	1.312	33.32	9740	5850
W211PP5	Cylindrical	1 1/2	38.1	1.5311	38.89	4	101.6	1.438	36.53	1.75	44.45	9740	5850
W211PPB3	Spherical	1 1/2	38.1	1.5311	38.89	3.937	100	1.312	33.32	See Col N	See Col N	9740	5850
W211PPB6	Spherical	1 1/2	38.1	1.5311	38.89	4.077	103.56	1.438	36.53	1.75	44.45	9740	5850

Hex Bore

Bearing Designation	Type	Shaft Size		Bore Diameter		Outside Diameter		Outer Ring Width		Inner Ring Width		Dynamic Load C (Lbs)	Static Load C (Lbs)
		in	mm	in	mm	in	mm	in	mm	in	mm		
W208PP21	Cylindrical	1 1/4	31.75	1.251	31.78	3.15	80	0.709	18	1.435	36.45	7340	3650
W208PPB16	Spherical	1 1/4	31.75	1.251	31.78	3.15	80	0.709	18	1.438	36.53	7340	3650

Farm Implement Bearing Units

Relubricable



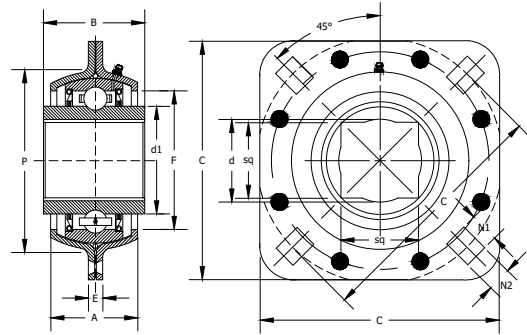
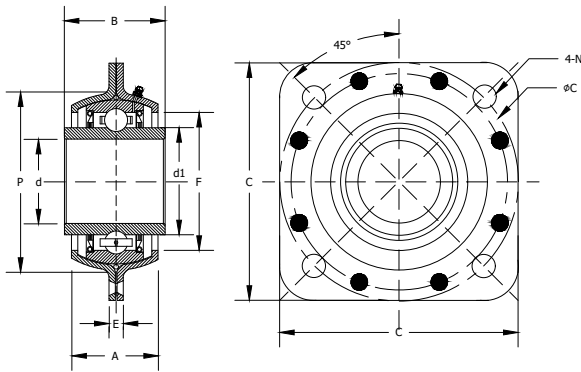
Round Bore

Bearing Designation	OD Type	Bore Diameter		Outside Diameter		Outer Ring Width		Inner Ring Width		Dynamic Load C (Lbs)	Static Load C (Lbs)
		in	mm	in	mm	in	mm	in	mm		
GW209PPB11	Spherical	1.781	45.24	3.346	85	0.866	22	1.438	36.53	7350	4150
GW209PPB2	Spherical	1.772	45	3.346	85	1.188	30.18	1.188	30.18	7350	4150
GW209PPB4	Spherical	1.535	39	3.346	85	1.188	30.18	1.188	30.18	7350	4150
GW210PP3	Cylindrical	1.4065	35.73	3.543	90	1.188	30.18	1.188	30.18	7880	4650
GW210PPB2	Spherical	1.938	49.23	3.543	90	1.188	30.18	1.188	30.18	7880	4650
GW210PPB5	Spherical	1.785	45.34	3.543	90	1.188	30.18	1.188	30.18	7880	4650
GW211PP2	Cylindrical	2.188	55.58	3.937	100	1.312	33.32	1.312	33.32	9740	5850
GW211PP25	Cylindrical	1.78	45.21	3.937	100	1.312	33.32	1.75	44.45	9740	5850
GW211PPB13	Spherical	1.785	45.34	3.937	100	0.984	25	1.312	33.32	9740	5850
GW211PPB2	Spherical	2.188	55.58	3.937	100	1.312	33.32	1.312	33.32	9740	5850
GW211PPB8	Spherical	2.188	55.58	3.937	100	0.984	25	1.312	33.32	9740	5850
GW211PPB9	Spherical	2.195	55.75	3.937	100	0.984	25	1.532	38.91	9740	5850
GW214PPB6	Spherical	2.6881	68.28	4.921	125	1.102	28	2.6875	68.26	14000	8800

Square Bore

Bearing Designation	Type	Shaft Size		Bore Diameter		Outside Diameter		Outer Ring Width		Inner Ring Width		Dynamic Load C (Lbs)	Static Load C (Lbs)
		in	mm	in	mm	in	mm	in	mm	in	mm		
GW208PP17	Cylindrical	1 1/8	28.58	1.18	29.97	3.3755	85.74	1.188	30.18	1.438	36.53	6000	3650
GW208PPB17	Spherical	1 1/8	28.58	1.18	29.97	3.3755	85.74	1.188	30.18	1.438	36.53	6000	3650
GW208PPB5	Spherical	1 1/8	28.58	1.18	29.97	3.15	80	0.945	24	1.438	36.53	6000	3650
GW208PPB8	Spherical	1 1/8	28.58	1.18	29.97	3.15	80	1.188	30.18	1.438	36.53	6000	3650
GW209PPB5	Spherical	1 1/4	31.75	1.29	32.77	3.346	85	1.188	30.18	1.438	36.53	7350	4150
GW209PPB8	Spherical	1 1/4	31.75	1.29	32.77	3.346	85	0.866	22	1.438	36.53	7350	4150
GW210PP4	Cylindrical	1 1/8	28.58	1.18	29.97	3.543	90	1.188	30.18	1.188	30.18	7880	4650
GW210PPB4	Spherical	1 1/8	28.58	1.18	29.97	3.543	90	1.188	30.18	1.188	30.18	7880	4650
GW211PP17	Cylindrical	1 1/2	38.1	1.5311	38.89	3.937	100	1.313	33.35	1.75	44.45	9740	5850
GW211PP3	Cylindrical	1 1/2	38.1	1.5311	38.89	3.937	100	1.312	33.32	1.312	33.32	9740	5850
GW211PPB3	Spherical	1 1/2	38.1	1.5311	38.89	3.937	100	1.312	33.32	1.312	33.32	9740	5850

Disk Harrow Bearings



Insert No.	Type	Shaft Diameter	C	P Min Frame Opening	B	A	F	d1	E	N	G	G1
ST208-1N	2	1 Square	4.69	3.500	1.375	1.5000	2.125	2	0.275		0.53	0.53
ST491A	1	1 3/4 Round	5.00	3.875	1.6875	1.6263	2.375	2.265	0.275	0.53		
ST491B	1	1 1/2 Round	5.00	3.875	1.6875	1.6263	2.375	2.265	0.275	0.53		
ST209 X 1 1/8 SQ	2	1 1/8 Square	5.00	3.875	1.6875	1.6263	2.375	2.265	0.275		0.53	0.68
FD209 X 1 1/4 SQ	2	1 1/4 Square	5.00	3.875	1.6875	1.6265	2.375	2.265	0.275		0.53	0.68
FD211 X 1 1/2 SQ	2	1 1/2 Square	5.50	4.469	2	1.4687	2.796	2.718	0.3125		0.53	0.59
ST211-1 3/4	1	1 3/4 Round	5.50	4.469	2	1.4687	2.875	2.718	0.359	0.53		
ST211-2 3/16	1	2 3/16 Round	5.50	4.469	2.1875	1.6562	2.875	2.718	0.359	0.53		

Interchanges/Equivalents:

TRITAN	Fafnir	Peer	BCA
ST208-1N	ST208-1N	-	FD208R
ST491A	DHU491A	ST491A	FD209RA
ST491B	DHU1 1/2 R-209	ST491B	FD208RB
ST209 X 1 1/8 SQ	DHU1 1/8 S-209	FD209-1 1/8SQ	FD209RM
FD209 X 1 1/4 SQ	DHU 1 1/4S-209	FD209-1 1/4SQ	FD209RK
FD211 X 1 1/2 SQ	DHU 1 1/2S-211	FD211-1 1/2SQ	FD211RD
ST211-1 3/4	DHU 1 3/4R-211	FD211-1 3/4RD	FD211RE
ST211-2 3/16	DHU 2 3/16R-211	FD211-2 3/16RD	FD211RB

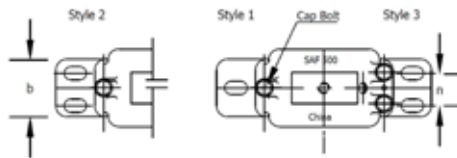
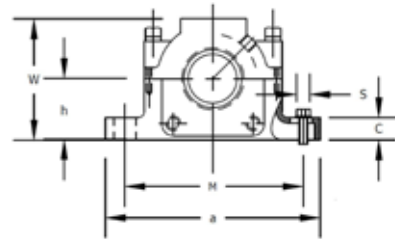
Special Purpose Bearings

Bearing Designation	Bore		OD		Outer Ring Width		Inner Ring Width		Features/Applications
	in	mm	in	mm	in	mm	in	mm	
201ES	0.4724	12.00	1.260	32.00	0.394	10.00	0.394	10.00	Grooved Outer Ring, 2 Shields
202NPP9	0.5050	12.83	1.500	38.10	0.433	11.00	0.433	11.00	OD with 3/4" Radius
203ES	0.6693	17.00	1.575	40.00	0.472	12.00	0.472	12.00	Grooved Outer Ring, 2 Shields
203KRR2	0.6400	16.26	1.575	40.00	0.472	12.00	0.720	18.29	Widely used Ag & Lawn/ Gardern Bearing with Trash Seal
203KRR2 R3	0.6400	16.26	1.575	40.00	0.472	12.00	0.720	18.29	Widely used Ag & Lawn/ Gardern Bearing with Triple Lip Trash Seal
203KRR3	0.6280	15.95	2.000	50.80	0.591	15.00	0.591	15.00	Thick Outer Ring, Trash Seals
203KRR5	0.5150	13.08	1.575	40.00	0.472	12.00	0.720	18.29	Ext Inner Ring, Trash Seals
203KRR6	0.6400	16.26	1.850	47.00	0.472	12.00	0.720	18.29	Thick Outer Ring, Extended Inner Ring, Trash Seals
204FREN	0.6310	16.03	1.781	45.22	0.610	15.49	0.735	18.67	Planter Bearing, Double Discs
204KRR2 X 11/16	0.6875	17.46	1.850	47.00	0.551	14.00	0.825	20.96	11/16 Hex Bore, Extended Inner Ring
204KRR2 X 3/4	0.7500	19.05	1.850	47.00	0.551	14.00	0.825	20.96	3/4" Round Bore
204RY2	0.6310	16.03	1.781	45.22	0.610	15.49	0.735	18.67	Gothic Arch Race, Extended Inner Ring one side
205PP11	1.0100	25.65	2.047	52.00	0.591	15.00	1.181	30.00	Triple Lip Seals, Extended Inner Ring
205PPB7	0.9375	23.81	2.047	52.00	0.591	15.00	1.378	35.00	Beveled OD, Triple Lip Seals
205RVA	0.7560	19.20	2.047	52.00	0.591	15.00	0.831	21.11	Triple Lip Seal extended side, Single Lip Seal opposite
206GGH	0.7560	19.20	2.441	62.00	0.630	16.00	0.945	24.00	Triple Lip Seals, Extended Inner Ring
207KRRB12	1.2500	31.75	2.835	72.00	0.669	17.00	0.984	25.00	Hex Bore, Beveled OD, Triple Lip Seals
207KRRB17	1.2500	31.75	2.835	72.00	0.669	17.00	0.984	25.00	Hex Bore, Beveled OD, Triple Lip Seals
209KRRB2	1.5000	38.10	3.543	90.00	0.748	19.00	1.181	30.00	Hex Bore, Beveled OD, Triple Lip Seals
210RRB6	1.5000	38.10	3.543	90.00	0.866	22.00	1.181	30.00	Hex Bore, Beveled OD
31863-88	0.5000	12.70	1.125	28.58	0.437	11.10	0.437	11.10	Unground Flanged Bearing, Sealed
499502H	0.6250	15.88	1.375	34.93	0.433	11.00	0.433	11.00	2 Rubber Seals, 1.375" OD, Snap Ring
5203KYY2	0.6400	16.26	1.575	40.00	1.535	39.00	1.732	44.00	Agricultural Bearing, Double Row, Triple Lip Seals
5207N	1.3780	35.00	2.835	72.00	0.875	22.23	0.875	22.23	Narrow Width, Oil Hole in OD
5310WA	1.9685	50.00	4.331	110.00	1.875	47.63	1.875	47.63	Double Row Angular Contact Ball Bearing, 1.875" Width
559339 X 1	1.0000	25.40	2.047	51.99	0.827	21.00	0.827	21.00	Double Row, common Motorcycle Axle Bearing
559339 X 3/4	0.7500	19.05	2.047	51.99	0.827	21.00	0.827	21.00	Double Row, common Motorcycle Axle Bearing
5L14	2.7559	70.00	3.937	100.00	1.417	36.00	1.417	36.00	Double Row Angular Contact Ball Bearing
606V	0.6250	15.88	1.422	36.12	0.453	11.51	0.453	11.51	Unground Thrust Bearing
607V	0.7500	19.05	1.626	41.31	0.545	13.84	0.545	13.84	Unground Thrust Bearing
7109	0.5906	15.00	1.378	35.00	0.354	9.00	0.354	9.00	Special Width, 1 Shield
88128R	1.5312	38.89	3.150	80.00	0.827	21.01	1.083	27.51	2 Rubber Seals, Supplied with Axle Ring
907257	1.5748	40.00	2.441	62.00	0.811	20.60	0.811	20.60	Double Row, Automotive, A/C Compressor Bearing
99502H	0.6250	15.88	1.375	34.93	0.433	11.00	0.433	11.00	2 Rubber Seals, 1.375" OD
CB14-2	0.4560	11.58	1.500	38.10	0.712	18.08	0.712	18.08	Conveyor Bearing, Nylon Hex Bore, Flanged
CB504B	0.7500	19.05	1.850	46.99	0.551	14.00	0.551	14.00	Conveyor Bearing, Hex Bore
LG 5/8	0.6250	15.88	1.375	34.93	0.500	12.70	0.500	12.70	Unground Precision Flanged Lawn & Garden Bearin
RX84	0.6945	17.64	2.125	53.97	0.625	15.87	0.625	15.87	Hex Bore - Flanged Individually Boxed
X117	0.3150	8.00	0.866	22.00	0.236	6.00	0.236	6.00	Miniature Ball Bearing Special Size, Open
X117 2RS	0.3150	8.00	0.866	22.00	0.236	6.00	0.236	6.00	Miniature Ball Bearing Special Size, 2 Seals
X117 ZZ	0.3150	8.00	0.866	22.00	0.236	6.00	0.236	6.00	Miniature Ball Bearing Special Size, 2 Shields
Z9504 2RST	0.7500	19.05	1.781	45.22	0.610	15.49	0.610	15.49	Special Ball Bearing, Trash Seals
Z9504B	0.7500	19.05	1.781	45.22	0.610	15.49	0.610	15.49	Special Ball Bearing, Full Contact Seals

Bearing Designation	Shaft Diameter		OD		Inner Ring Width		Features/Applications
	in	mm	in	mm	in	mm	
885152	0.63	15.92	1.18	30.00	2.94	74.63	Agricultural, Integral Shaft Bearing
885154B	0.63	15.92	1.18	30.00	2.89	73.41	Agricultural, Integral Shaft Bearing
885586	0.63	15.93	1.18	30.00	6.28	159.54	Integral Shaft Bearing

SAF Plummer Blocks

SAF Split Plumber Blocks are one of the most popular housings used with Spherical Roller Bearings*. Their split design allows for easy mounting and maintenance. TRITAN SAF Housings are made of ISO Grade 200 (US Grade 30) cast iron, and a reinforced base with webs for heat transfer and ribs to help prevent deformation from over tightening. The housings feature 2 threaded plugged holes on top for a grease fitting and various testing equipment, and 2 drain plugs on opposite sides of bottom front face on units. Blocks are supplied with the popular Labyrinth Seals (LER)** and a Stabilizing Ring.



Housing No.	D (mm)H8	a	b	c	h (h12)	W	M		n	S	Cap Bolt	Style	Labyrinth Seal Ring (2 incl.)	Stabilizing Ring (1 incl.)	Weight (Lbs)
							max.	min.							
SAF509	85	8 1/4	2 3/8	13/16	2 1/4	4 3/8	7	6 1/4	-	1/2	3/8-16	1	LER17	SR9-9	8.80
SAF510	90	8 1/4	2 3/8	15/16	2 1/2	4 3/4	7	6 1/2	-	1/2	7/16-14	1	LER20	SR10-0	10.40
SAF511	100	9 5/8	2 3/4	15/16	2 3/4	5 1/4	7 7/8	7 3/8	-	5/8	1/2-13	1	LER24	SR11-0	13.70
SAF513	120	11	3 1/8	1	3	5 15/16	9 1/2	8 1/8	2	5/8	1/2-13	1	LER29	SR13-0	18.30
FSAF513	120	11	3 1/8	1	3	5 15/16	9 1/2	8 1/8	2	1/2	1/2-13	2	LER29	SR13-0	18.30
SAF515	130	11 1/4	3 1/8	1 1/8	3 1/4	6 3/8	9 5/8	8 5/8	1 7/8	5/8	1/2-13	1	LER37	SR15-0	18.30
FSAF515	130	11 1/4	3 1/8	1 1/8	3 1/4	6 3/8	9 5/8	8 5/8	1 7/8	1/2	1/2-13	2	LER37	SR15-0	19.00
SAF516	140	13	3 1/2	1 3/16	3 1/2	6 7/8	11	9 5/8	2 1/8	3/4	1/2-13	1	LER44	SR16-13	28.90
FSAF516	140	13	3 1/2	1 3/16	3 1/2	6 7/8	11	9 5/8	2 1/8	5/8	1/2-13	2	LER44	SR16-13	29.00
SAF517	150	13	3 1/2	1 1/4	3 3/4	7 5/16	11	9 7/8	-	3/4	1/2-13	1	LER53	SR17-14	30.60
FSAF517	150	13	3 1/2	1 1/4	3 3/4	7 5/16	11	9 7/8	2 1/8	5/8	1/2-13	2	LER53	SR17-14	31.00
SAF518	160	13 3/4	3 7/8	1 5/16	4	7 3/4	11 5/8	10 3/8	-	3/4	5/8-11	1	LER188	SR18-15	38.40
FSAF518	160	13 3/4	3 7/8	1 5/16	4	7 3/4	11 5/8	10 3/8	2 1/8	5/8	5/8-11	2	LER188	SR18-15	38.00
SAF520	180	15 1/4	4 3/8	1 3/4	4 1/2	8 3/4	13 1/8	11 5/8	-	7/8	5/8-11	1	LER102	SR20-17	49.60
FSAF520	180	15 1/4	4 3/8	1 3/4	4 1/2	8 3/4	13 1/8	11 5/8	2 3/8	3/4	5/8-11	2	LER102	SR20-17	49.60
SAF522	200	16 1/2	4 3/4	2	4 15/16	9 5/8	14 1/2	12 5/8	2 3/4	3/4	3/4-10	3	LER109	SR22-19	62.00
SAF524	215	16 1/2	4 3/4	2 1/8	5 1/4	10 1/4	14 1/2	13 1/4	2 3/4	3/4	3/4-10	3	LER113	SR24-20	66.10
SAF526	230	18 3/8	5 1/8	2 3/8	6	11 1/2	16	14 5/8	3 1/4	7/8	3/4-10	3	LER117	SR24-0	95.70
SAF528	250	20 1/8	5 7/8	2 3/8	6	11 3/4	17 1/8	16	3 3/8	1	3/4-10	3	LER122	SR28-0	132.30
SAF530	270	21 1/4	6 1/4	2 1/2	6 5/16	12 1/2	18 1/4	17	3 3/4	1	3/4-10	3	LER125	SR30-0	140.00
SAF532	290	22	6 1/4	2 5/8	6 11/16	13 5/16	19 1/4	17 3/8	3 3/4	1	3/4-10	3	LER130	SR32-0	151.70
SAF534	310	24 3/4	6 3/4	2 3/4	7 1/16	14 3/16	21 5/8	19 3/8	4 1/4	1	3/4-10	3	LER140	SR34-0	207.20
SAF536	320	26 3/4	7 1/8	3	7 1/2	14 7/8	23 5/8	20 7/8	4 5/8	1	7/8-9	3	LER148	SR36-30	246.90
SAF538	340	28	7 1/2	3 1/8	7 7/8	15 11/16	24 3/8	21 5/8	4 1/2	1 1/4	7/8-9	3	LER155	SR38-0	291.00

* SAF Housing can also be used with 12 and 13 Series Self Aligning Ball Bearings

** Housing seal grooves are designed to accommodate various types of sealing options

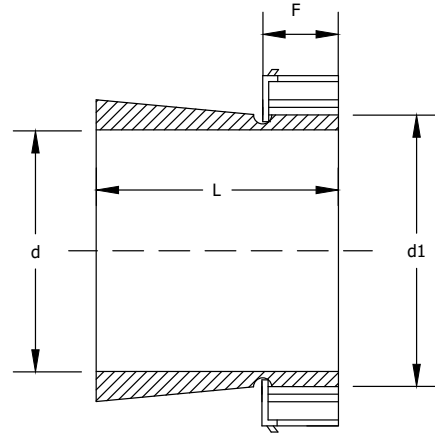
Component Chart for Complete Units using 222 Series* Spherical Roller Bearings

SHAFT SIZE	HOUSING #	BEARING #	ADAPTER #	SEAL RING	STAB RING	COMPLETE
1 7/16	SAF509	22209K	H309X1 7/16	LER17	SR9-9	SAF22509
1 1/2	SAF509	22209K	H309X1 1/2	LER18	SR9-9	SAF22509
1 11/16	SAF510	22210K	H310X1 11/16	LER20	SR10-0	SAF22510
1 3/4	SAF510	22210K	H310X1 3/4	LER21	SR10-0	SAF22510
1 15/16	SAF511	22211K	H311X1 15/16	LER24	SR11-0	SAF22511
2	SAF511	22211K	H311X2	LER25	SR11-0	SAF22511
2 3/16	SAF513	22213K	H313X2 3/16	LER29	SR13-0	SAF22513
2 1/4	SAF513	22213K	H313X2 1/4	LER30	SR13-0	SAF22513
2 7/16	SAF515	22215K	H315X2 7/16	LER37	SR15-0	SAF22515
2 1/2	SAF515	22215K	H315X2 1/2	LER38	SR15-0	SAF22515
2.6875	SAF516	22216K	H316X2 11/16	LER44	SR16-13	SAF22516
2 3/4	SAF516	22216K	H316X2 3/4	LER45	SR16-13	SAF22516
2 15/16	SAF517	22217K	H317X2 15/16	LER53	SR17-14	SAF22517
3	SAF517	22217K	H317X3	LER54	SR17-14	SAF22517
3 3/16	SAF518	22218K	H318X3 3/16	LER100	SR18-15	SAF22518
3 7/16	SAF520	22220K	H320X3 7/16	LER102	SR20-17	SAF22520
3 1/2	SAF520	22220K	H320X3 1/2	LER103	SR20-17	SAF22520
3 15/16	SAF522	22222K	H322X3 15/16	LER109	SR22-19	SAF22522
4	SAF522	22222K	H322X4	LER110	SR22-19	SAF22522
4 3/16	SAF524	22224K	H3124X4 3/16	LER113	SR24-20	SAF22524
4 7/16	SAF526	22226K	H3126X4 7/16	LER117	SR26-0	SAF22526
4 1/2	SAF526	22226K	H3126X4 1/2	LER118	SR26-0	SAF22526
4.9375	SAF528	22228K	H3128X4 15/16	LER122	SR28-0	SAF22528
5	SAF528	22228K	H3128X5	LER123	SR28-0	SAF22528
5 3/16	SAF530	22230K	H3130X5 3/16	LER125	SR30-0	SAF22530
5 7/16	SAF532	22232K	H3132X5 7/16	LER130	SR32-0	SAF22532
5 1/2	SAF532	22232K	H3132X5 1/2	LER131	SR32-0	SAF22532
5 15/16	SAF534	22234K	H3134X5 15/16	LER140	SR34-0	SAF22534
6	SAF534	22234K	H3134X6	LER141	SR34-0	SAF22534
6 7/16	SAF536	22236K	H3136X6 7/16	LER148	SR36-30	SAF22536
6 1/2	SAF536	22236K	H3136X6 1/2	LER149	SR36-30	SAF22536
6 15/16	SAF538	22238K	H3138X6 15/16	LER155	SR38-32	SAF22536
7	SAF538	22238K	H3138X7	LER156	SR38-32	SAF22538

* 223 Series and 230 Series Spherical Roller Bearings are also used with SAF Plummer Block Housings, as are 12 and 13 Series Self-Aligning Ball Bearings

Adapters

Adapters are the most commonly used components for locating bearings with a tapered bore onto a cylindrical seating, and can be used on on smooth or stepped shafts. TRITAN Adapters are supplied complete with locknut and lockwasher. Metric bore sizes are listed below. Inch bore sizes are also available from stock.

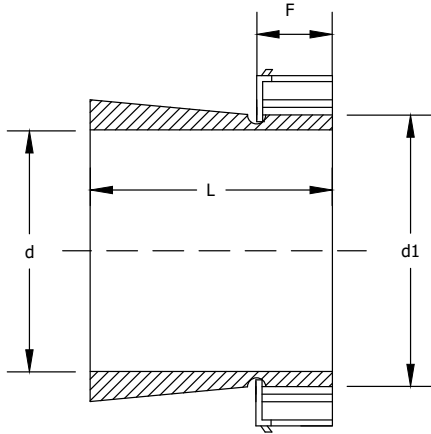


Bore Diameter (d)	Width (L)	Adapter No.	Outer Diameter	Locknut	Lockwasher	Weight Lbs
17mm	24mm	H204 X 17MM	32mm	KM4	MB4	0.090
20mm	26mm	H205 X 20MM	38mm	KM5	MB5	0.150
25mm	27mm	H206 X 25MM	45mm	KM6	MB6	0.220
30mm	29mm	H207 X 30MM	52mm	KM7	MB7	0.280
35mm	31mm	H208 X 35MM	58mm	KM8	MB8	0.380
40mm	33mm	H209 X 40MM	65mm	KM9	MB9	0.500
45mm	35mm	H210 X 45MM	70mm	KM0	MB10	0.600
50mm	37mm	H211 X 50MM	75mm	KM11	MB11	0.680
55mm	38mm	H212 X 55MM	80mm	KM12	MB12	0.760
60mm	40mm	H213 X 60MM	85mm	KM13	MB13	0.880
60mm	41mm	H214 X 60MM	92mm	KM14	MB14	1.310
65mm	43mm	H215 X 65MM	98mm	KM15	MB15	1.560
70mm	46mm	H216 X 70MM	105mm	KM16	MB16	1.940
75mm	50mm	H217 X 75MM	110mm	KM17	MB17	2.250
80mm	52mm	H218 X 80MM	120mm	KM18	MB18	2.620
85mm	55mm	H219 X 85MM	125mm	KM19	MB19	3.020
90mm	58mm	H220 X 90MM	130mm	KM20	MB20	3.280
95mm	60mm	H221 X 95MM	140mm	KM21	MB21	3.790
100mm	63mm	H222 X 100MM	145mm	KM22	MB22	4.250
17mm	28mm	H304 X 17MM	32mm	KM4	MB4	0.100
20mm	29mm	H305 X 20MM	38mm	KM5	MB5	0.170
25mm	31mm	H306 X 25MM	45mm	KM6	MB6	0.240
30mm	35mm	H307 X 30MM	52mm	KM7	MB7	0.310
35mm	36mm	H308 X 35MM	58mm	KM8	MB8	0.420
40mm	39mm	H309 X 40MM	65mm	KM9	MB9	0.550
45mm	42mm	H310 X 45MM	70mm	KM10	MB10	0.670
50mm	45mm	H311 X 50MM	75mm	KM11	MB11	0.760
55mm	47mm	H312 X 55MM	80mm	KM12	MB12	0.870
60mm	50mm	H313 X 60MM	85mm	KM13	MB13	1.010
60mm	52mm	H314 X 60MM	92mm	KM14	MB14	1.590
65mm	55mm	H315 X 65MM	98mm	KM15	MB15	1.830
70mm	59mm	H316 X 70MM	105mm	KM16	MB16	2.270
75mm	63mm	H317 X 75MM	110mm	KM17	MB17	2.600
80mm	65mm	H318 X 80MM	120mm	KM18	MB18	3.020
85mm	68mm	H319 X 85MM	125mm	KM19	MB19	3.440
90mm	71mm	H320 X 90MM	310mm	KM20	MB20	3.730
95mm	74mm	H321 X 95MM	140mm	KM21	MB21	4.300
100mm	77mm	H322 X 100MM	145mm	KM22	MB22	4.810

Chart continues on next page

Bearings Accessories Series

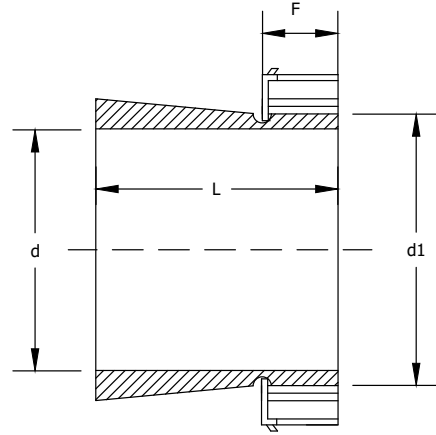
Adapters



Bore Diameter (d)	Width (L)	Adapter No.	Outer Diameter	Locknut	Lockwasher	Weight Lbs
17mm	31mm	H2304 X 17MM	32mm	KM4	MB4	0.110
20mm	35mm	H2305 X 20MM	28mm	KM5	MB5	0.190
25mm	38mm	H2306 X 25MM	45mm	KM6	MB6	0.280
30mm	43mm	H2307 X 30MM	52mm	KM7	MB7	0.360
35mm	46mm	H2308 X 35MM	58mm	KM8	MB8	0.490
40mm	50mm	H2309 X 40MM	65mm	KM9	MB9	0.620
45mm	55mm	H2310 X 45MM	70mm	KM10	MB10	0.800
50mm	59mm	H2311 X 50MM	75mm	KM11	MB11	0.930
55mm	62mm	H2312 X 55MM	80mm	KM12	MB12	1.060
60mm	65mm	H2313 X 60MM	85mm	KM13	MB13	1.230
60mm	68mm	H2314 X 60MM	92mm	KM14	MB14	1.980
65mm	73mm	H2315 X 65MM	98mm	KM15	MB15	2.310
70mm	78mm	H2316 X 70MM	105mm	KM16	MB16	2.820
75mm	82mm	H2317 X 75MM	110mm	KM17	MB17	3.200
80mm	86mm	H2318 X 80MM	120mm	KM18	MB18	3.730
85mm	90mm	H2319 X 85MM	125mm	KM19	MB19	4.230
90mm	97mm	H2320 X 90MM	130mm	KM20	MB20	4.740
95mm	101mm	H2321 X 95MM	140mm	KM21	MB21	5.420
100mm	105mm	H2322 X 100MM	145mm	KM22	MB22	6.040
110mm	112mm	H2324 X 110MM	155mm	KM24	MB24	7.030
115mm	121mm	H2326 X 115MM	165mm	KM26	MB26	10.140
125mm	131mm	H2328 X 125MM	180mm	KM28	MB28	12.240
135mm	139mm	H2330 X 135MM	195mm	KM30	MB30	14.620
140mm	147mm	H2332 X 140MM	210mm	KM32	MB32	20.150
150mm	154mm	H2334 X 150MM	220mm	KM34	MB34	22.490
160mm	161mm	H2336 X 160MM	230mm	KM36	MB36	24.910
170mm	169mm	H2338 X 170MM	240mm	KM38	MB38	27.780
180mm	176mm	H2340 X 180MM	250mm	KM40	MB40	30.640
200mm	186mm	H2344 X 200MM	280mm	HM44T	MB44	36.820
220mm	199mm	H2348 X 220MM	300mm	HM48T	MB48	43.430
240mm	211mm	H2352 X 240MM	330mm	HM52T	MB52	53.350
260mm	224mm	H2356 X 260MM	350mm	HM56T	MB56	61.290

Chart continues on next page

Adapters

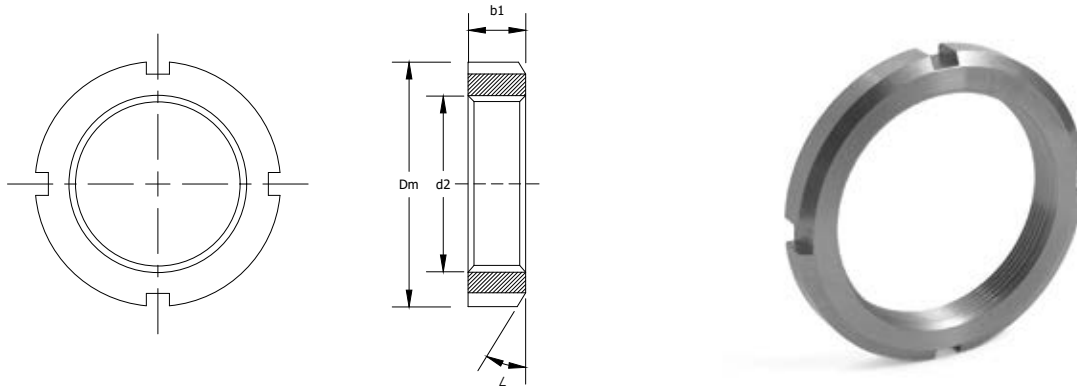


Bore Diameter (d)	Width (L)	Adapter No.	Outer Diameter	Locknut	Lockwasher	Weight Lbs
110mm	72mm	H3024 X 110MM	145mm	KML24	MBL24	4.2500
115mm	80mm	H3026 X 115MM	155mm	KML26	MBL26	6.2800
125mm	82mm	H3028 X 125MM	165mm	KML28	MBL28	6.9700
135mm	87mm	H3030 X 135MM	180mm	KML30	MBL30	8.5800
140mm	93mm	H3032 X 140MM	190mm	KML32	MBL32	11.490
150mm	101mm	H3034 X 150MM	200mm	KML34	MBL34	13.210
160mm	109mm	H3036 X 160MM	210mm	KML36	MBL36	15.060
170mm	112mm	H3038 X 170MM	220mm	KML38	MBL38	16.420
180mm	120mm	H3040 X 180MM	240mm	KML40	MBL40	20.260
200mm	126mm	H3044 X 200MM	260mm	HM3044	MS3044	22.710
220mm	133mm	H3048 X 220MM	290mm	HM3048	MS3048	29.100
240mm	145mm	H3052 X 240MM	310mm	HM3052	MS3052	33.730
260mm	152mm	H3056 X 260MM	330mm	HM3056	MS3056	39.020
280mm	168mm	H3060 X 280MM	360mm	HM3060	MS3060	50.270
300mm	171mm	H3064 X 300MM	380mm	HM3064	MS3064	54.230
320mm	187mm	H3068 X 320MM	400mm	HM3068	MS3068	63.270
340mm	188mm	H3072 X 340MM	420mm	HM3072	MS3072	67.240
360mm	193mm	H3076 X 360MM	450mm	HM3076	MS3076	78.930
380mm	210mm	H3080 X 380MM	470mm	HM3080	MS3080	91.050
400mm	212mm	H3084 X 400MM	490mm	HM3084	MS3084	96.340
410mm	228mm	H3088 X 410MM	520mm	HM3088	MS3088	143.74
430mm	234mm	H3092 X 430MM	540mm	HM3092	MS3092	153.22
450mm	237mm	H3096 X 450MM	560mm	HM3096	MS3096	161.60
90mm	76mm	H3120 X 90MM	130mm	KM20	MB20	3.970
100mm	81mm	H3122 X 100MM	145mm	KM22	MB22	4.960
110mm	88mm	H3124 X 110MM	155mm	KM24	MB24	5.820
115mm	92mm	H3126 X 115MM	165mm	KM26	MB26	8.070
125mm	97mm	H3128 X 125MM	180mm	KM28	MB28	9.570
135mm	111mm	H3130 X 135MM	195mm	KM30	MB30	12.170
140mm	119mm	H3132 X 140MM	210mm	KM32	MB32	16.910
150mm	122mm	H3134 X 150MM	220mm	KM34	MB34	18.470
160mm	131mm	H3136 X 160MM	230mm	KM36	MB36	20.940
170mm	141mm	H3138 X 170MM	240mm	KM38	MB38	23.810
180mm	150mm	H3140 X 180MM	250mm	KM40	MB40	26.680
200mm	161mm	H3144 X 200MM	280mm	HM44T	MB44	32.410
220mm	172mm	H3148 X 220MM	300mm	HM48T	MB48	38.140
240mm	190mm	H3152 X 240MM	330mm	HM52T	MB52	48.500
260mm	195mm	H3156 X 260MM	350mm	HM56T	MB56	54.010
280mm	208mm	H3160 X 280MM	380mm	HM44T	MB60	66.580
300mm	226mm	H3164 X 300MM	400mm	HM3164	MS3164	76.940
320mm	254mm	H3168 X 320MM	440mm	HM3168	MS3168	109.13
340mm	259mm	H3172 X 340MM	460mm	HM3172	MS3172	119.49
360mm	264mm	H3176 X 360MM	490mm	HM3176	MS3176	136.03
380mm	272mm	H3180 X 380MM	520mm	HM3180	MS3180	155.65
400mm	304mm	H3184 X 400MM	540mm	HM3184	MS3184	185.63

Bearings Accessories Series

N-00 Series Locknuts

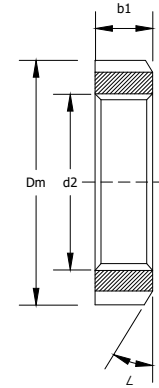
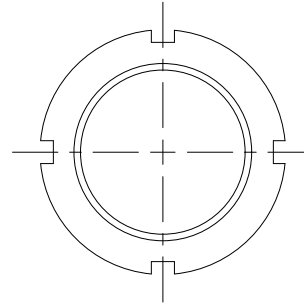
Standard Series in Inch Dimensions for ball, roller, spherical and tapered roller bearings. Also referred to as shaft or withdraw nuts, locknuts are used to locate bearings and other components onto a shaft, as well as facilitate mounting bearings, and dismounting bearings from withdrawl sleeves. They are commonly used with W-00 series Lockwashers.



Bore Diameter (d2)	No. Per Inch	Outside Diameter (DM)	Face Diameter	Locknut No.	Nut Width (b1)	Slot Width	Slot Depth	Face Runout	Weight Lbs
0.391"	32	0.755"	0.625"	N00	0.229"	0.120"	0.073"	0.002"	0.02
0.469"	32	0.880"	0.719"	N01	0.323"	0.120"	0.073"	0.002"	0.03
0.586"	32	1.005"	0.813"	N02	0.323"	0.120"	0.104"	0.002"	0.04
0.664"	32	1.130"	0.938"	N03	0.354"	0.120"	0.104"	0.002"	0.05
0.781"	32	1.380"	1.125"	N04	0.385"	0.178"	0.104"	0.002"	0.09
0.969"	32	1.568"	1.281"	N05	0.416"	0.178"	0.104"	0.002"	0.12
1.173"	18	1.755"	1.500"	N06	0.416"	0.178"	0.104"	0.002"	0.13
1.376"	18	2.068"	1.813"	N07	0.448"	0.178"	0.104"	0.004"	0.21
1.563"	18	2.255"	2.000"	N08	0.448"	0.240"	0.104"	0.004"	0.23
1.767"	18	2.536"	2.281"	N09	0.448"	0.240"	0.104"	0.004"	0.29
1.967"	18	2.693"	2.438"	N10	0.510"	0.240"	0.104"	0.004"	0.34
2.157"	18	2.974"	2.656"	N11	0.510"	0.240"	0.135"	0.004"	0.42
2.360"	18	3.161"	2.844"	N12	0.541"	0.240"	0.135"	0.004"	0.47
2.548"	18	3.380"	3.063"	N13	0.573"	0.240"	0.135"	0.004"	0.55
2.751"	18	3.630"	3.313"	N14	0.573"	0.240"	0.135"	0.004"	0.64
2.933"	12	3.880"	3.563"	AN15	0.604"	0.360"	0.135"	0.004"	0.79
3.137"	12	4.161"	3.844"	AN16	0.604"	0.360"	0.135"	0.004"	0.93
3.340"	12	4.411"	4.031"	AN17	0.635"	0.360"	0.166"	0.004"	1.04
3.527"	12	4.661"	4.281"	AN18	0.698"	0.360"	0.166"	0.004"	1.30
3.730"	12	4.943"	4.563"	AN19	0.729"	0.360"	0.166"	0.004"	1.54
3.918"	12	5.193"	4.813"	AN20	0.760"	0.360"	0.166"	0.004"	1.79
4.122"	12	5.443"	5.000"	AN21	0.760"	0.485"	0.198"	0.004"	1.94
4.325"	12	5.714"	5.281"	AN22	0.778"	0.485"	0.198"	0.004"	2.23
4.716"	12	6.120"	5.688"	AN24	0.810"	0.485"	0.198"	0.004"	2.55
5.106"	12	6.754"	6.188"	AN26	0.872"	0.610"	0.260"	0.006"	3.17
5.497"	12	7.089"	6.531"	AN28	0.935"	0.610"	0.260"	0.006"	3.55
5.888"	12	7.683"	7.063"	AN30	0.966"	0.610"	0.291"	0.006"	4.75
6.284"	8	8.058"	7.438"	AN32	1.028"	0.610"	0.291"	0.006"	5.25
6.659"	8	8.651"	8.031"	AN34	1.060"	0.610"	0.291"	0.006"	6.6
7.066"	8	9.058"	8.375"	AN36	1.091"	0.735"	0.323"	0.006"	6.64
7.472"	8	9.464"	8.781"	AN38	1.122"	0.735"	0.323"	0.006"	7.75
7.847"	8	9.839"	9.156"	AN40	1.185"	0.735"	0.323"	0.006"	8.45

KM-00 Series Locknuts

Standard Series in Metric Dimensions for ball, roller, spherical and tapered roller bearings. Also referred to as shaft or withdraw nuts, locknuts are used to locate bearings and other components onto a shaft, as well as facilitate mounting bearings, and dismounting bearings from withdraw sleeves.

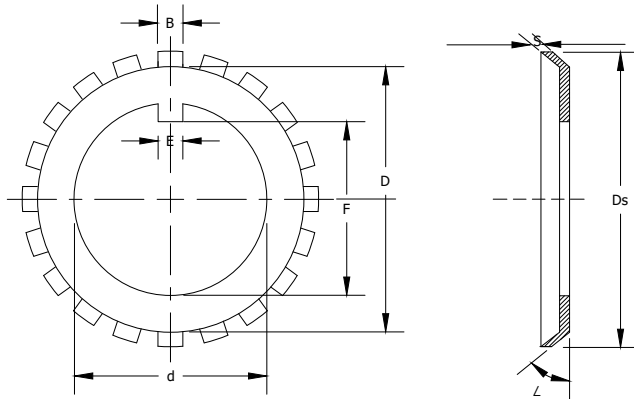


Bore Diameter (d2)	Outside Diameter (DM)	Face Diameter	Locknut No.	Nut Width (b1)	Slot Width	Slot Depth	Face Runout	Weight Lbs
18mm	M10x.75	13.5mm	KM0	4mm	3mm	2mm	0.1mm	0.02
22mm	M12x1	17mm	KM1	4mm	3mm	2mm	0.1mm	0.02
25mm	M15x1	21mm	KM2	5mm	4mm	2mm	0.1mm	0.03
28mm	M17x1	24mm	KM3	5mm	4mm	2mm	0.1mm	0.03
32mm	M20x1	26mm	KM4	6mm	4mm	2mm	0.1mm	0.05
38mm	M25x1.5	30.6mm	KM5	7mm	5mm	2mm	0.1mm	0.06
45mm	M30x1.5	38mm	KM6	7mm	5mm	2mm	0.1mm	0.10
52mm	M35x1.5	44mm	KM7	7mm	5mm	2mm	0.1mm	0.12
58mm	M40x1.5	50mm	KM8	9mm	6mm	2.5mm	0.1mm	0.19
65mm	M45x1.5	56mm	KM9	10mm	6mm	2.5mm	0.1mm	0.27
70mm	M50x1.5	61mm	KM10	11mm	6mm	2.5mm	0.1mm	0.33
75mm	M55x2	67mm	KM11	11mm	7mm	3mm	0.1mm	0.35
80mm	M60x2	73mm	KM12	11mm	7mm	3mm	0.1mm	0.39
85mm	M65x2	79mm	KM13	12mm	7mm	3mm	0.1mm	0.45
92mm	M70x2	85mm	KM14	12mm	8mm	3.5mm	0.1mm	0.54
98mm	M75x2	90mm	KM15	13mm	8mm	3.5mm	0.1mm	0.64
105mm	M80x2	95mm	KM16	15mm	8mm	3.5mm	0.1mm	0.88
110mm	M85x2	102mm	KM17	16mm	8mm	3.5mm	0.1mm	1.00
120mm	M90x2	108mm	KM18	16mm	10mm	4mm	0.1mm	1.23
125mm	M95x2	113mm	KM19	17mm	10mm	4mm	0.1mm	1.45
130mm	M100x2	108.6mm	KM20	18mm	10mm	4mm	0.1mm	1.54
140mm	M105x2	126mm	KM21	18mm	12mm	5mm	0.1mm	1.86
145mm	M110x2	133mm	KM22	19mm	12mm	5mm	0.1mm	2.13
150mm	M115x2	137mm	KM23	19mm	12mm	5mm	0.1mm	2.23
155mm	M120x2	138mm	KM24	20mm	12mm	5mm	0.1mm	2.38
160mm	M125x2	148mm	KM25	21mm	12mm	5mm	0.1mm	2.62
165mm	M130x2	149mm	KM26	21mm	12mm	5mm	0.1mm	2.76
175mm	M135x2	160mm	KM27	22mm	6mm	6mm	0.1mm	3.42
180mm	M140x2	160mm	KM28	22mm	6mm	6mm	0.1mm	3.44
190mm	M145x2	171mm	KM29	24mm	6mm	6mm	0.1mm	4.41
195mm	M150x2	171mm	KM30	24mm	6mm	6mm	0.1mm	4.48
200mm	M155x3	182mm	KM31	25mm	7mm	7mm	0.1mm	4.87
210mm	M160x3	182mm	KM32	25mm	7mm	7mm	0.1mm	5.71
210mm	M165x3	193mm	KM33	26mm	7mm	7mm	0.1mm	5.36
220mm	M170x3	193mm	KM34	26mm	7mm	7mm	0.1mm	6.17
230mm	M180x3	203mm	KM36	27mm	8mm	8mm	0.1mm	6.77
240mm	M190x3	214mm	KM38	28mm	8mm	8mm	0.1mm	7.47
250mm	M200x3	226mm	KM40	29mm	8mm	8mm	0.1mm	8.14

Bearings Accessories Series

W-00 Series Lockwashers

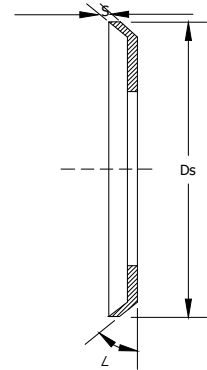
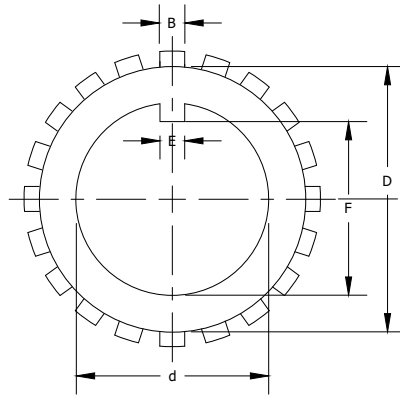
For use with Inch N and AN Series Locknuts



Bore Diameter (d)	Face Diameter (D)	Diameter Over Tangs (DS)	Key Width (E)	Inside Dimension (F)	Washer No.	No. of Tangs	Tand Width (B)	Tang Thickness (S)	Weight Lbs
0.406"	0.625"	0.8750"	0.12"	0.334"	W00	9	0.120"	0.032"	0.01
0.484"	0.719"	1.0160"	0.12"	0.412"	W01	9	0.120"	0.032"	0.01
0.601"	0.813"	1.1560"	0.12"	0.529"	W02	11	0.120"	0.032"	0.01
0.679"	0.938"	1.3280"	0.12"	0.607"	W03	11	0.120"	0.032"	0.01
0.801"	1.125"	1.5310"	0.176"	0.729"	W04	11	0.166"	0.032"	0.01
0.989"	1.281"	1.7190"	0.176"	0.909"	W05	13	0.166"	0.040"	0.01
1.193"	1.500"	1.9220"	0.176"	1.093"	W06	13	0.166"	0.040"	0.02
1.396"	1.813"	2.2500"	0.176"	1.296"	W07	15	0.166"	0.040"	0.02
1.583"	2.000"	2.4960"	0.290"	1.475"	W08	15	0.234"	0.048"	0.02
1.792"	2.281"	2.7340"	0.290"	1.684"	W09	17	0.234"	0.048"	0.03
1.992"	2.438"	2.9220"	0.290"	1.884"	W10	17	0.234"	0.048"	0.04
2.182"	2.656"	3.1090"	0.290"	2.069"	W11	17	0.234"	0.053"	0.05
2.400"	2.844"	3.3440"	0.290"	2.267"	W12	17	0.234"	0.053"	0.05
2.588"	3.063"	3.5780"	0.290"	2.455"	W13	19	0.234"	0.053"	0.06
2.791"	3.313"	3.8280"	0.290"	2.658"	W14	19	0.234"	0.053"	0.07
2.973"	3.563"	4.1090"	0.290"	2.831"	W15	19	0.328"	0.062"	0.08
3.177"	3.844"	4.3750"	0.353"	3.035"	W16	19	0.328"	0.062"	0.10
3.395"	4.031"	4.6250"	0.353"	3.253"	W17	19	0.328"	0.062"	0.12
3.582"	4.281"	4.9380"	0.353"	3.418"	W18	19	0.328"	0.084"	0.14
3.800"	4.563"	5.2190"	0.353"	3.636"	W19	19	0.328"	0.084"	0.15
3.988"	4.813"	5.5000"	0.353"	3.809"	W20	19	0.328"	0.084"	0.17
4.192"	5.000"	5.7030"	0.353"	4.013"	W21	19	0.390"	0.084"	0.20
4.395"	5.281"	6.0630"	0.353"	4.185"	W22	19	0.390"	0.115"	0.21
4.801"	5.688"	6.4690"	0.353"	4.591"	W24	19	0.390"	0.115"	0.23
5.191"	6.188"	7.0310"	0.435"	4.961"	W26	19	0.520"	0.115"	0.25
5.582"	6.531"	7.4380"	0.590"	5.352"	W28	19	0.520"	0.115"	0.31
5.983"	7.063"	8.0630"	0.590"	5.722"	W30	19	0.520"	0.146"	0.34
6.389"	7.438"	8.4380"	0.590"	6.128"	W32	19	0.520"	0.146"	0.49
6.764"	8.031"	9.0630"	0.715"	6.503"	W34	19	0.520"	0.146"	0.55
7.171"	8.375"	9.4380"	0.715"	6.91"	W36	19	0.645"	0.146"	0.59
7.577"	8.781"	9.8750"	0.715"	7.316"	W38	19	0.645"	0.146"	0.61
7.982"	9.156"	10.313"	0.840"	7.721"	W40	19	0.645"	0.146"	0.70
8.701"	9.875"	11.438"	0.940"	8.327"	W44	19	0.878"	0.146"	0.88

KM-00 Series Locknuts

For use with Metric KM Series Locknuts



Bore Diameter (d)	Face Diameter (D)	Diameter Over Tangs (DS)	Key Width (E)	Inside Dimension (F)	Washer No.	No. of Tangs	Tand Width (B)	Tang Thickness (S)	Weight Lbs
10mm	13.5mm	23.5mm	3mm	8.5mm	MB0	9	3mm	1mm	0.01
12mm	17mm	25mm	3mm	10.5mm	MB1	11	3mm	1.2mm	0.01
15mm	21mm	28mm	4mm	13.5mm	MB2	11	4mm	1.2mm	0.01
17mm	24mm	32mm	4mm	15.5mm	MB3	11	4mm	1.2mm	0.01
20mm	26mm	36mm	4mm	18.5mm	MB4	11	4mm	1.2mm	0.01
25mm	32mm	42mm	5mm	23mm	MB5	13	5mm	1.8mm	0.01
30mm	38mm	49mm	5mm	27.5mm	MB6	13	5mm	1.8mm	0.02
35mm	44mm	57mm	6mm	32.5mm	MB7	13	5mm	1.8mm	0.02
40mm	50mm	56.9mm	6mm	37.5mm	MB8	13	6mm	1.8mm	0.03
45mm	56mm	69mm	6mm	42.5mm	MB9	13	6mm	1.8mm	0.03
50mm	74mm	74mm	6mm	47.5mm	MB10	13	6mm	1.25mm	0.04
55mm	67mm	81mm	8mm	52.5mm	MB11	17	7mm	2.5mm	0.04
60mm	73mm	86mm	8mm	57.5mm	MB12	17	7mm	2.5mm	0.06
65mm	79mm	92mm	8mm	62.5mm	MB13	17	7mm	2.5mm	0.06
70mm	85mm	98mm	8mm	66.5mm	MB14	17	8mm	2.5mm	0.07
75mm	90mm	104mm	8mm	71.5mm	MB15	17	8mm	2.5mm	0.08
80mm	95mm	112mm	10mm	76.5mm	MB16	17	8mm	2.5mm	0.10
85mm	102mm	119mm	10mm	81.5mm	MB17	17	8mm	2.5mm	0.12
90mm	108mm	126mm	10mm	86.5mm	MB18	17	10mm	2.5mm	0.14
95mm	113mm	133mm	10mm	91.5mm	MB19	17	10mm	2.5mm	0.15
100mm	120mm	142mm	12mm	96.5mm	MB20	17	10mm	2.5mm	0.17
105mm	126mm	145mm	12mm	100.5mm	MB21	17	12mm	1.75mm	0.18
110mm	133mm	154mm	12mm	105.5mm	MB22	17	12mm	1.75mm	0.21
115mm	137mm	159mm	12mm	110.5mm	MB23	17	12mm	2mm	0.24
120mm	138mm	164mm	14mm	115mm	MB24	17	12mm	2mm	0.23
125mm	148mm	170mm	14mm	120mm	MB25	17	12mm	2mm	0.26
130mm	149mm	175mm	14mm	125mm	MB26	17	12mm	2mm	0.25
135mm	160mm	185mm	14mm	130mm	MB27	17	14mm	2mm	0.32
140mm	160mm	192mm	16mm	135mm	MB28	17	14mm	2mm	0.31
145mm	172mm	202mm	16mm	140mm	MB29	17	14mm	2mm	0.37
150mm	171mm	205mm	16mm	145mm	MB30	17	14mm	2mm	0.34
155mm	182mm	212mm	16mm	147.5mm	MB31	19	16mm	2.5mm	0.46
160mm	182mm	217mm	18mm	154mm	MB32	19	16mm	2.5mm	0.49
165mm	193mm	222mm	18mm	157.5mm	MB33	19	16mm	2.5mm	0.53
170mm	193mm	232mm	18mm	164mm	MB34	19	16mm	2.5mm	0.55
180mm	203mm	242mm	20mm	174mm	MB36	19	18mm	2.5mm	0.59
190mm	214mm	252mm	20mm	184mm	MB38	19	18mm	2.5mm	0.61
200mm	226mm	262mm	20mm	194mm	MB40	19	18mm	2.5mm	0.65
220mm	250mm	292mm	24mm	212.5mm	MB44	19	20mm	3mm	0.88
240mm	270mm	312mm	24mm	233mm	MB48	19	20mm	3mm	0.88
260mm	300mm	342mm	28mm	253mm	MB52	19	24mm	3mm	1.32
280mm	320mm	362mm	28mm	273mm	MB56	19	24mm	3mm	1.36

TRITAN

PRECISION BEARINGS AND POWER TRANSMISSION COMPONENTS



Spherical Plain
Bearings

Spherical Plain Bearings utilize inner & outer rings with spherical sliding surfaces, and can accommodate heavy radial loads & bi-directional axial loads at the same time. They are produced in a wide variety of designs & materials to satisfy diverse demands such as those in the automation, construction, mining, transportation, off-highway equipment, farming & machine tool applications.

Standard designs utilize carbon chromium steel on steel which is hardened, phosphated and treated with Molybdenum Disulfide (MoS₂) to reduce friction. Most designs can be relubricated through annular grooves & lubrication holes in the outer rings.

Bearings are also available in self lubricating designs utilizing PTFE lined races offering a maintenance free solution with lower friction. For corrosive environments, many sizes can be supplied in stainless steel construction.

Table of Contents

Radial Inch

GEZ...E/ES, General Purpose.....	211
GEZM...ES, Extended Inner Ring.....	212
COM, Commercial.....	213

Radial Metric

GE...E/ES, General Purpose	214
GEH...E/ES, Heavy	215
GE...C, Maintenance Free.....	216
GEH...C, Heavy - Maintenance Free	216
GEG...ES, Extended Inner Ring	217
GEM...ES, Extended Inner Ring.....	218

Angular Contact

GAZ...SA, Inch	219
GAC...T, Metric - Maintenance Free.....	220

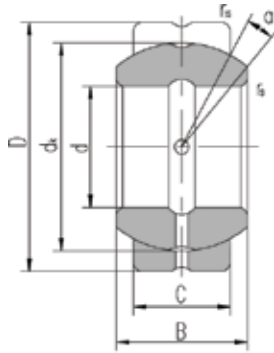
Thrust

GX...T, Metric - Maintenance Free.....	221
--	-----

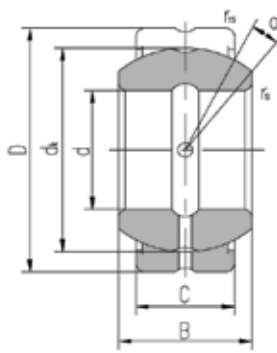
The above are typically available from stock. Other configurations of Spherical Plain Bearings are available from the factory subject to normal lead times. Minimum orders may apply. Contact your distributor for additional information.

Spherical Plain Bearings - Inch

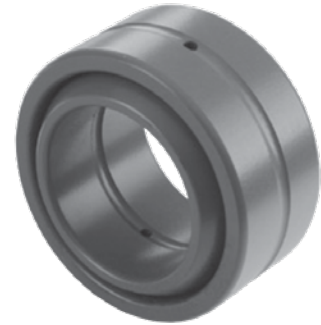
GEZ Series



GEZ-ES



GEZ-ES-2RS



Specifications

- Sliding surface: steel on steel - MoS₂ treated
- Single fracture design
- Relubricatable through annular grooves & oil holes in inner & outer rings (ES- Suffix)

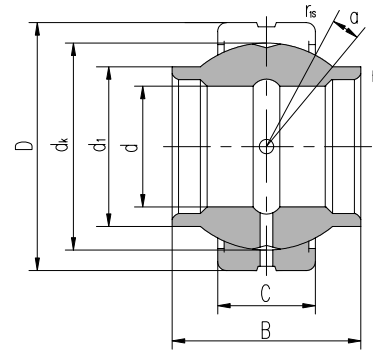
Bearing Designation	Dimensions (inches)								Load Ratings kN		Weight (lb)
	d	D	B	C	dk	rs min	ris min	α	Dynamic	Static	
GEZ 008ES	0.5	0.875	0.437	0.375	0.707	0.006	0.024	6	13	41	0.048
GEZ 010ES	0.625	1.0625	0.547	0.469	0.904	0.006	0.024	6	22	65	0.079
GEZ 012ES	0.75	1.25	0.656	0.562	1.081	0.012	0.024	6	31	95	0.120
GEZ 014ES	0.875	1.4375	0.756	0.656	1.258	0.012	0.024	6	42	127	0.190
GEZ 100ES	1	1.625	0.875	0.75	1.437	0.012	0.024	6	56	166	0.270
GEZ 104ES	1.25	2	1.093	0.937	1.788	0.024	0.024	6	86	260	0.510
GEZ 106ES	1.375	2.1875	1.187	1.031	1.926	0.024	0.04	6	102	310	0.660
GEZ 108ES	1.5	2.4375	1.312	1.125	2.154	0.024	0.04	6	125	375	0.920
GEZ 112ES	1.75	2.8125	1.531	1.312	2.511	0.024	0.04	6	170	510	1.410
GEZ 200ES	2	3.1875	1.75	1.5	2.869	0.024	0.04	6	224	670	2.050
GEZ 204ES	2.25	3.5625	1.969	1.687	3.223	0.024	0.04	6	280	850	2.900
GEZ 208ES	2.5	3.9375	2.187	1.875	3.616	0.04	0.04	6	355	1060	3.930
GEZ 212ES	2.75	4.375	2.406	2.062	3.937	0.04	0.04	6	415	1250	5.280
GEZ 300ES	3	4.75	2.625	2.25	4.303	0.04	0.04	6	500	1500	6.820
GEZ 304ES	3.25	5.125	2.844	2.437	4.685	0.04	0.04	6	585	1760	8.360
GEZ 308ES	3.5	5.5	3.062	2.625	5.04	0.04	0.04	6	680	2040	10.600
GEZ 312ES	3.75	5.875	3.281	2.812	5.393	0.04	0.04	6	780	2360	12.760
GEZ 400ES	4	6.25	3.5	3	5.748	0.04	0.04	6	900	2650	15.400
GEZ 404ES	4.25	6.625	3.719	3.187	6.102	0.04	0.04	6	1000	3000	18.500
GEZ 408ES	4.5	7	3.937	3.375	6.476	0.04	0.04	6	1120	3400	21.600
GEZ 412ES	4.75	7.375	4.156	3.562	6.83	0.04	0.04	6	1250	3750	25.300
GEZ 500ES	5	7.75	4.375	3.75	7.204	0.04	0.04	6	1400	4150	29.700
GEZ 600ES	6	8.75	4.75	4.125	8.15	0.04	0.04	5	1730	5200	38.500

Also available: Maintenance Free - PTFE Lined - GEZ...TE 2RS, Stainless Steel - GEZ...TE/X

Common Interchanges (1" Bore): 10SF16, B16L, GE25ZO, SA2-16B, SBB16

Spherical Plain Bearings - Inch

GEZM Series



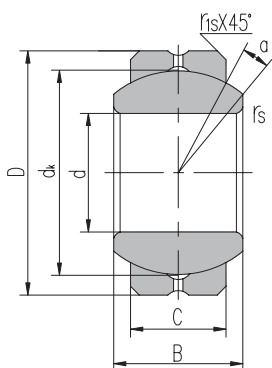
Specifications

- Extended inner ring eliminating need for locational spacers
- Sliding surface: steel on steel - MoS₂ treated
- Single fracture design
- Relubricatable through annular grooves & oil holes in inner & outer rings (ES- Suffix)

Bearing Designation	Dimensions (inches)										Load Ratings kN		Weight (lb)
	d	D	B	C	d _{max}	d _k	r _{s min}	r _{is min}	α	Dynamic	Static		
GEZM 012ES	0.75	1.25	1.125	0.562	0.92	1.08	0.012	0.024	5	31	95	0.14	
GEZM 100ES	1	1.625	1.5	0.75	1.22	1.437	0.012	0.024	5	56	166	0.31	
GEZM 104ES	1.25	2	1.875	0.937	1.525	1.795	0.024	0.024	5	86	260	0.6	
GEZM 106ES 2RS	1.375	2.1875	2.062	1.031	1.67	1.937	0.024	0.04	5	102	310	0.82	
GEZM 108ES 2RS	1.5	2.4375	2.25	1.125	1.85	2.155	0.024	0.04	5	125	375	1.09	
GEZM 200ES	2	3.1875	3	1.5	2.46	2.875	0.024	0.04	5	224	670	2.45	
GEZM 300ES	3	4.75	4.5	2.25	3.675	4.312	0.004	0.004	5	500	1500	7.91	
GEZM 300ES 2RS	3	4.75	4.5	2.25	3.675	4.312	0.004	0.004	5	500	1500	7.91	

Common Interchanges (1" Bore): B16EL RBC, GEZM100ES SKF

Spherical Plain Bearings - Inch COM Series



Specifications

- Sliding surface: steel on steel - chrome plate ball
- Relubricatable through annular grooves & oil holes in outer rings

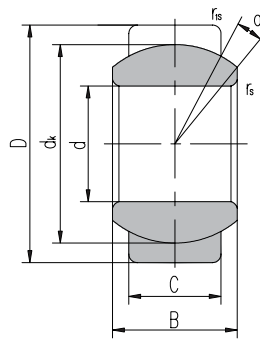
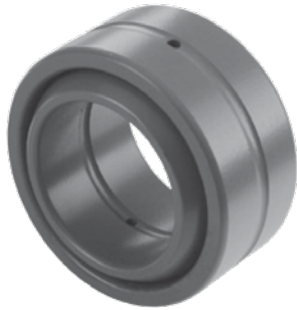
Bearing Designation	Dimensions (inches)								Load Ratings kN		Weight (lb)
	d	D	B	C	dk	rs min	rls min	α	Dynamic	Static	
COM 3	0.19	0.5625	0.281	0.218	0.406	0.012	0.015	11	3	15	0.013
COM 4	0.25	0.6562	0.343	0.25	0.5	0.012	0.022	13.5	4.4	22	0.022
COM 5	0.3125	0.75	0.375	0.281	0.562	0.012	0.032	12	6	28	0.031
COM 6	0.375	0.8125	0.406	0.312	0.656	0.012	0.032	10	7.4	37	0.037
COM 7	0.4375	0.9062	0.437	0.343	0.687	0.012	0.032	8	8.4	42	0.046
COM 8	0.5	1	0.5	0.39	0.813	0.012	0.032	9.5	12	58	0.064
COM 9	0.5625	1.0937	0.562	0.437	0.906	0.012	0.032	9.5	15	73	0.086
COM 10	0.625	1.1875	0.625	0.5	1	0.012	0.032	9.5	19	94	0.110
COM 12	0.75	1.4375	0.75	0.593	1.187	0.012	0.044	9	28	141	0.200
COM 14	0.875	1.5625	0.875	0.703	1.312	0.024	0.044	9.5	37	186	0.261
COM 16	1	1.75	1	0.797	1.5	0.024	0.044	10	49	245	0.385

Also available: Maintenance Free - PTFE Lined - COM...T, Stainless Steel - SSCOM

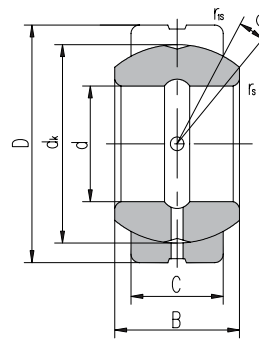
Common Interchanges (1/2" Bore): CRS 8

Spherical Plain Bearings - Metric

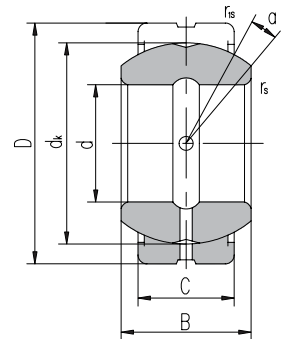
GE Series



GE-E



GE-ES



GE-ES 2RS

Specifications

- Sliding surface: steel on steel - MoS₂ treated
- Single fracture design
- Relubricatable through annular grooves & oil holes in inner & outer rings (ES- Suffix)

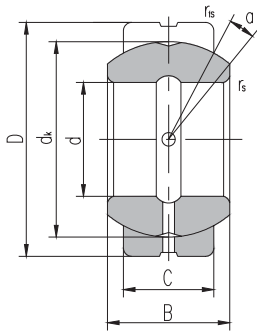
Bearing Designation	Dimensions (mm)								Load Ratings kN		Weight (lb)
	d	D	B	C	dk	rs min	ris min	α ≈	Dynamic	Static	
GE 4E	4	12	5	3	8	0.3	0.3	16	2	10	0.007
GE 5E	5	14	6	4	10	0.3	0.3	13	3.4	17	0.008
GE 6E	6	14	6	4	10	0.3	0.3	13	3.4	17	0.009
GE 8E	8	16	8	5	13	0.3	0.3	15	5.5	27	0.018
GE 10E	10	19	9	6	16	0.3	0.3	12	8.1	40	0.024
GE 12E	12	22	10	7	18	0.3	0.3	10	10	53	0.033
GE 15ES	15	26	12	9	22	0.3	0.3	8	16	84	0.059
GE 17ES	17	30	14	10	25	0.3	0.3	10	21	106	0.090
GE 20ES	20	35	16	12	29	0.3	0.3	9	30	146	0.262
GE 25ES	25	42	20	16	35.5	0.6	0.6	7	48	240	0.262
GE 30ES	30	47	22	18	40.7	0.6	0.6	6	62	310	0.337
GE 35ES	35	55	25	20	47	0.6	1	6	79	399	0.513
GE 40ES	40	62	28	22	53	0.6	1	7	99	495	0.673
GE 45ES	45	68	32	25	60	0.6	1	7	127	637	0.939
GE 50ES	50	75	35	28	66	0.6	1	6	156	780	1.200
GE 55ES	55	85	40	32	74	0.6	1	7	200	1000	2.070
GE 60ES	60	90	44	36	80	1	1	6	245	1220	2.290
GE 70ES	70	105	49	40	92	1	1	6	313	1560	3.410
GE 80ES	80	120	55	45	105	1	1	6	400	2000	5.080
GE 90ES	90	130	60	50	115	1	1	5	488	2440	6.050
GE 100ES	100	150	70	55	130	1	1	7	607	3030	9.790
GE 110ES	110	160	70	55	140	1	1	6	654	3270	10.600
GE 120ES	120	180	85	70	160	1	1	6	950	4750	17.710
GE 140ES	140	210	90	70	180	1	1	7	1070	5350	24.240
GE 160ES	160	230	105	80	200	1	1	8	1360	6800	30.820
GE 180ES	180	260	105	80	225	1.1	1.1	6	1530	7650	41.000
GE 200ES	200	290	130	100	250	1.1	1.1	7	2120	10600	62.000
GE 220ES	220	320	135	100	275	1.1	1.1	8	2320	11600	78.000
GE 240ES	240	340	140	100	300	1.1	1.1	8	2550	12700	88.000
GE 260ES	260	370	150	110	325	1.1	1.1	7	3030	15190	113.000
GE 280ES	280	400	155	120	350	1.1	1.1	6	3570	17850	143.000
GE 300ES	300	430	165	120	375	1.1	1.1	7	3800	19100	172.000

Also available: Maintenance Free - PTFE Lined - GE...TE 2RS, Stainless Steel - GE...TE/X

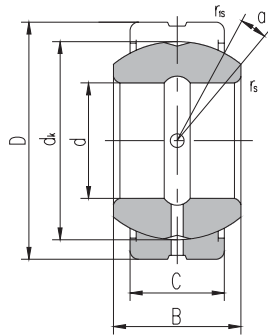
Common Interchanges (100mm Bore): GE 100 DO, 100SF150, MB100, SA1-100B, SBH100S

Spherical Plain Bearings - Metric

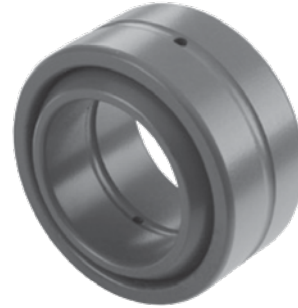
GEH Series



GEH...ES



GEH...ES 2RS



Specifications

- Wider inner ring & larger OD - capable of greater misalignment
- Sliding surface: steel on steel - MoS₂ treated
- Single fracture design
- Relubricatable through annular grooves & oil holes in inner & outer rings (ES- Suffix)

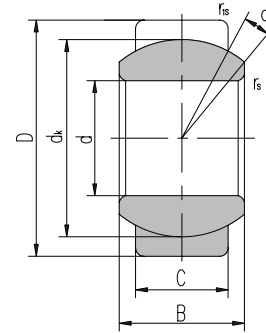
Bearing Designation	Dimensions (mm)								Load Ratings kN		Weight (lb)
	d	D	B	C	dk	rs min	ris min	$\alpha \approx$	Dynamic	Static	
GEH 5E	5	16	9	5	13	0.3	0.3	21	5.5	27	0.018
GEH 6E	6	16	9	5	13	0.3	0.3	21	5.5	27	0.025
GEH 8E	8	19	11	6	16	0.3	0.3	21	8.1	40	0.030
GEH 10E	10	22	12	7	18	0.3	0.3	18	10	53	0.046
GEH 12E	12	26	15	9	22	0.3	0.3	18	16	84	0.073
GEH 15ES	15	30	16	10	25	0.3	0.3	16	21	106	0.108
GEH 17ES	17	35	20	12	29	0.3	0.3	19	30	146	0.183
GEH 20ES	20	42	25	16	35.5	0.3	0.6	17	48	240	0.337
GEH 25ES	25	47	28	18	40.7	0.6	0.6	17	62	310	0.450
GEH 30ES	30	55	32	20	47	0.6	1	17	79	399	0.670
GEH 35ES	35	62	35	22	53	0.6	1	16	99	495	0.900
GEH 40ES	40	68	40	25	60	0.6	1	17	127	637	1.190
GEH 45ES	45	75	43	28	66	0.6	1	15	156	780	1.570
GEH 50ES	50	90	56	36	80	0.6	1	17	245	1220	2.510
GEH 60ES	60	105	63	40	92	1	1	17	313	1560	4.500
GEH 70ES	70	120	70	45	105	1	1	16	400	2000	6.600
GEH 80ES	80	130	75	50	115	1	1	14	488	2440	8.000
GEH 90ES	90	150	85	55	130	1	1	15	607	3030	11.500
GEH 100ES	100	160	85	55	140	1	1	14	654	3270	13.300
GEH 110ES	110	180	100	70	160	1	1	12	950	4750	21.300
GEH 120ES	120	210	115	70	180	1	1	16	1070	5350	30.800
GEH 140ES	140	230	130	80	200	1	1	16	1360	6800	42.000
GEH 160ES	160	260	135	80	225	1.1	1.1	16	1530	7650	44.000
GEH 180ES	180	290	155	100	250	1.1	1.1	14	2120	10600	71.000
GEH 200ES	200	320	165	100	275	1.1	1.1	15	2320	11600	99.000
GEH 220ES	220	340	175	100	300	1.1	1.1	16	2550	12700	112.500
GEH 240ES	240	370	190	110	325	1.1	1.1	15	3030	15190	143.000
GEH 260ES	260	400	205	120	350	1.1	1.1	15	3570	17850	182.000
GEH 280ES	280	430	210	120	375	1.1	1.1	15	3800	19100	214.000

Also available: Maintenance Free - PTFE Lined - GEH...TE 2RS, Stainless Steel - GEH...TE/X

Common Interchanges (100mm Bore): GE100FO, 100FSH160, GE100GS, MBH100

Spherical Plain Bearings - Metric

GE...C & GEH...C Series



Specifications

- Sliding surface: PTFE lined steel outer on chrome plated ball
- Maintenance free - low friction

Bearing Designation	Dimensions (mm)								Load Ratings kN		Weight (lb)
	d	D	B	C	d _k	r _{s min}	r _{is min}	α ≈	Dynamic	Static	
GE 5C	5	14	6	4	10	0.3	0.3	13	3.6	9.1	0.008
GE 6C	6	14	6	4	10	0.3	0.3	13	3.6	9.1	0.009
GE 8C	8	16	8	5	13	0.3	0.3	15	5.8	14	0.018
GE 10C	10	19	9	6	16	0.3	0.3	12	8.6	21	0.024
GE 12C	12	22	10	7	18	0.3	0.3	10	11	28	0.033
GE 15C	15	26	12	9	22	0.3	0.3	8	18	45	0.059
GE 17C	17	30	14	10	25	0.3	0.3	10	22	56	0.090
GE 20C	20	35	16	12	29	0.3	0.3	9	31	78	0.145
GE 25C	25	42	20	16	35.5	0.6	0.6	7	51	127	0.262
GE 30C	30	47	22	18	40.7	0.6	0.6	6	65	166	0.359

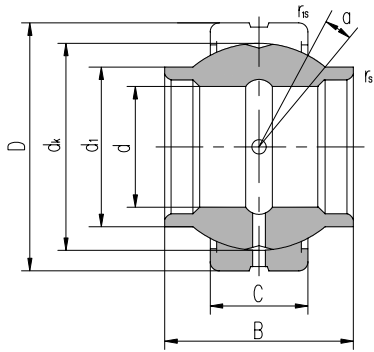
Common Interchanges (25mm Bore): BE25UK, GE 25C, GE25-D, GE25EC, GE25HWA, SAR1-25, BM25

Bearing Designation	Dimensions (mm)								Load Ratings kN		Weight (lb)
	d	D	B	C	d _k	r _{s min}	r _{is min}	α ≈	Dynamic	Static	
GEH 5C	5	16	9	5	10	0.3	0.3	21	5.8	14	0.018
GEH 6C	6	16	9	5	13	0.3	0.3	21	5.8	14	0.013
GEH 8C	8	19	11	6	16	0.3	0.3	21	8.6	21	0.030
GEH 10C	10	22	12	7	18	0.3	0.3	18	11	28	0.046
GEH 12C	12	26	15	9	22	0.3	0.3	18	18	45	0.073
GEH 15C	15	30	16	10	25	0.3	0.3	16	22	56	0.110
GEH 17C	17	35	20	12	29	0.3	0.3	19	31	78	0.183
GEH 20C	20	42	25	16	35.5	0.3	0.3	17	51	127	0.340
GEH 25C	25	47	28	18	40.7	0.6	0.6	17	65	166	0.450
GEH 30C	30	55	32	20	47	0.6	0.6	17	83	212	0.670

Common Interchanges (100mm Bore): GE25FW, GE25BW-A

Spherical Plain Bearings - Metric

GEG Series



Specifications

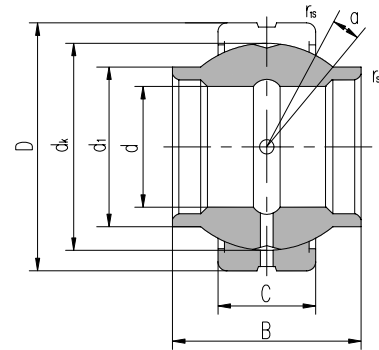
- Extended inner ring eliminating need for locational spacers
- Sliding surface: steel on steel - MoS₂ treated
- Single fracture design
- Relubricatable through annular grooves & oil holes in inner & outer rings (ES- Suffix)

Bearing Designation	Dimensions (mm)									Load Ratings kN		Weight (lb)
	d	D	B	C	d ₁ max	dk	rs min	ris min	α	Dynamic	Static	
GEG 12ES	12	22	12	7	15.5	18	0.3	0.3	4	10	53	0.022
GEG 15ES	15	26	15	9	18.5	22	0.3	0.3	5	16	84	0.031
GEG 16ES	16	28	16	9	20	23	0.3	0.3	4	17	85	0.035
GEG 17ES	17	30	17	10	21	25	0.3	0.3	7	21	106	0.044
GEG 20ES	20	35	20	12	25	29	0.3	0.3	4	30	146	0.071
GEG 25ES	25	42	25	16	30.5	35.5	0.6	0.6	4	48	240	0.131
GEG 30ES	30	47	30	18	34	40.7	0.6	0.6	4	62	310	0.168
GEG 32ES	32	52	32	18	37	44	0.6	1	4	65	328	0.182
GEG 35ES	35	55	35	20	40	47	0.6	1	4	79	399	0.253
GEG 40ES	40	62	40	22	46	53	0.6	1	4	99	495	0.338
GEG 45ES	45	68	45	25	52	60	0.6	1	4	127	637	0.481
GEG 50ES	50	75	50	28	57	66	0.6	1	4	156	780	0.558
GEG 60ES	60	90	60	36	68	80	1	1	4	245	1220	1.150
GEG 63ES	63	95	63	36	71.5	83	1	1	4	253	1260	1.250
GEG 70ES	70	105	70	40	78	92	1	1	4	313	1560	1.710
GEG 80ES	80	120	80	45	91	105	1	1	4	400	2000	2.390
GEG 90ES	90	130	90	50	99	115	1	1	4	488	2440	3.210
GEG 100ES	100	150	100	55	113	130	1	1	4	607	3030	4.790
GEG 110ES	110	160	110	55	124	140	1	1	4	654	3270	5.780
GEG 125ES	125	180	125	70	138	160	1	1	4	950	4750	8.490
GEG 160ES	160	230	160	80	177	200	1	1	4	1360	6800	16.500
GEG 200ES	200	290	200	100	221	250	1.1	1.1	4	2120	10600	32.100
GEG 250ES	250	400	250	120	317	350	1.1	1.1	4	3750	17800	99.100
GEG 320ES	320	520	320	160	405	450	1.1	1.1	4	6200	30500	225.000

Common Interchanges (25mm Bore): GE25LO, MB25E, GE25BN-A

Spherical Plain Bearings - Metric

GEM Series



Specifications

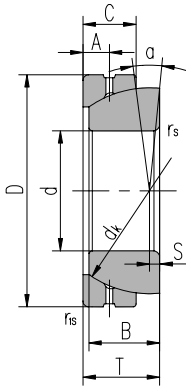
- Extended inner ring eliminating need for locational spacers
- Sliding surface: steel on steel - MoS₂ treated
- Single fracture design
- Relubricatable through annular grooves & oil holes in inner & outer rings (ES- Suffix)

Bearing Designation	Dimensions (mm)									Load Ratings kN		Weight (lb)
	d	D	B	C	d ₁ max	d _k	r _s min	r _{is} min	α	Dynamic	Static	
GEM 20ES-2RS	20	35	24	12	24	29	0.3	0.3	6	30	146	0.160
GEM 25ES-2RS	25	42	29	16	29	35.5	0.3	0.6	4	48	240	0.290
GEM 30ES-2RS	30	47	30	18	34	40.7	0.3	0.6	4	62	310	0.375
GEM 35ES-2RS	35	55	35	20	40	47	0.6	1	4	79	399	0.550
GEM 40ES-2RS	40	62	38	22	45	53	0.6	1	4	99	495	0.770
GEM 45ES-2RS	45	68	40	25	52	60	0.6	1	4	127	637	1.080
GEM 50ES-2RS	50	75	43	28	57	66	0.6	1	4	156	780	1.320
GEM 60ES-2RS	60	90	54	36	68	80	0.6	1	3	245	1220	2.530
GEM 70ES-2RS	70	105	65	40	78	92	0.6	1	4	313	1560	3.650
GEM 80ES-2RS	80	120	74	45	90	105	0.6	1	4	400	2000	5.500

Common Interchanges (25mm Bore): GE25HO 2RS

Spherical Plain Angular Contact Bearings

GAZ Series



Specifications

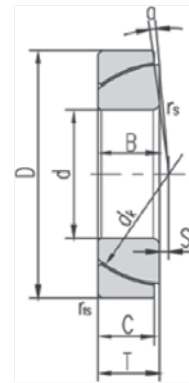
- Sliding surface: steel on steel - MoS₂ treated
- Suitable for radial loads and single direction axial (Thrust) load
- Relubricatable through annular grooves & oil holes in outer rings

Bearing Designation	Dimensions (mm/inch)										Load Ratings kN		Weight (lb)
	d	D	B	C	T	dk	S	A	r _{s1} r _s min	α ≈	Dynamic	Static	
GAZ 008SA	0.5	0.875	0.27	0.19	0.3	0.719	0.051	0.094	0.02	7	6	18	0.029
GAZ 010SA	0.625	1.0625	0.34	0.25	0.37	0.899	0.058	0.109	0.03	6	10	31	0.055
GAZ 012SA	0.75	1.25	0.41	0.31	0.44	1.08	0.07	0.125	0.04	6	16	47	0.084
GAZ 014SA	0.875	1.4375	0.48	0.38	0.52	1.258	0.08	0.172	0.08	5.5	23	66	0.110
GAZ 100SA	1	1.625	0.55	0.44	0.6	1.437	0.1	0.203	0.08	6	29	87	0.187
GAZ 104SA	1.25	2	0.7	0.55	0.74	1.795	0.132	0.234	0.08	6	47	142	0.300
GAZ 106SA	1.375	2.1875	0.77	0.6	0.84	1.937	0.145	0.281	0.1	4	53	159	0.467
GAZ 108SA	1.5	2.4375	0.84	0.66	0.91	2.155	0.155	0.312	0.1	5.5	66	197	0.660
GAZ 112SA	1.75	2.8125	0.98	0.79	1.07	2.515	0.186	0.328	0.1	6	91	273	1.000
GAZ 200SA	2	3.1875	1.13	0.92	1.23	2.875	0.217	0.375	0.14	5.5	122	365	1.470
GAZ 204SA	2.25	3.5625	1.27	1.05	1.39	3.235	0.243	0.453	0.14	5.5	155	466	2.080
GAZ 208SA	2.5	3.9375	1.42	1.18	1.54	3.59	0.267	0.5	0.14	5	196	589	2.490
GAZ 212SA	2.75	4.375	1.56	1.275	1.7	3.95	0.294	0.515	0.18	5	231	694	3.850
GAZ 300SA	3	4.75	1.71	1.405	1.86	4.312	0.322	0.578	0.18	5	279	838	5.020
GAZ 304SA	3.25	5.125	1.86	1.545	2.03	4.675	0.356	0.656	0.18	5	332	995	6.400
GAZ 308SA	3.5	5.5	2	1.675	2.18	5.04	0.374	0.703	0.18	4.5	389	1167	7.000
GAZ 312SA	3.75	5.875	2.15	1.805	2.34	5.39	0.398	0.765	.018	4.5	449	1348	8.700
GAZ 400SA	4	6.25	2.3	1.935	2.5	5.75	0.409	0.781	0.18	4.5	515	1545	10.500
GAZ 408SA	4.5	7	2.59	2.195	2.8	6.475	0.488	0.875	0.18	4.5	663	1990	15.000
GAZ 500SA	5	7.75	2.88	2.455	3.13	7.19	0.547	1.00	0.18	4.5	818	2455	22.100
GAZ 600SA	6	8.75	3.1	2.615	3.375	8.156	0.634	1.37	0.18	4.5	985	2955	35.000

Common Interchanges (1" Bore): 10SBT16, B16SA

Spherical Plain Angular Contact Bearings

GAC Series



Specifications

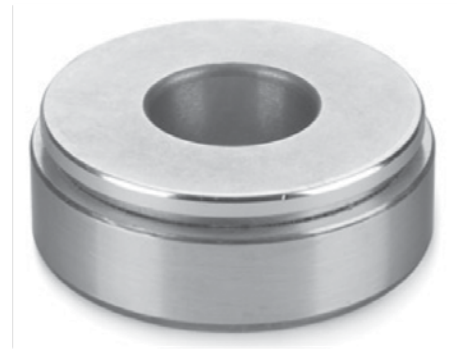
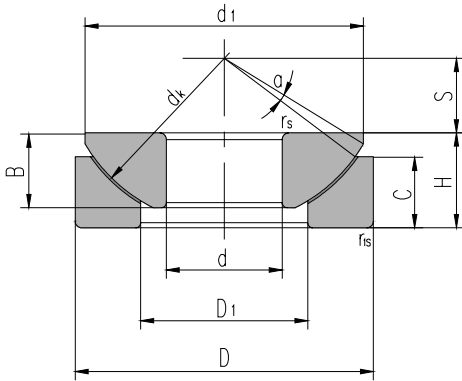
- Sliding surface: PTFE lined steel outer on chrome plated ball
- Suitable for radial loads and single direction axial (Thrust) load
- Maintenance free - low friction

Bearing Designation	Dimensions (mm)									Load Ratings kN		Weight (lb)
	d	D	B	C	T	d _k	S	r _{s1} r _s _{min}	α ≈	Dynamic	Static	
GAC 25F	25	47	15	14	15	42	0.6	1	2.5	75	149	0.325
GAC 28F	28	52	16	15	16	47	1	1	2	90	179	0.410
GAC 30F	30	55	17	15	17	49.5	1.3	1	4.5	95	188	0.460
GAC 32F	32	58	17	16	17	52	2	1	2	106	211	0.530
GAC 35F	35	62	18	16	18	55.5	2.1	1	4	117	234	0.590
GAC 40F	40	68	19	17	19	62	2.8	1	3.5	139	277	0.720
GAC 45F	45	75	20	18	20	68.5	3.5	1	3	162	324	0.920
GAC 50F	50	80	20	19	20	74	4.3	1	1.5	185	370	1.000
GAC 55F	55	90	23	20	23	82	5	1.1	4	216	432	1.420
GAC 60F	60	95	23	21	23	88.5	5.7	1.1	2.5	245	489	1.570
GAC 65F	65	100	23	22	23	93.5	6.5	1.1	1	271	542	1.670
GAC 70F	70	110	25	23	25	102	7.2	1.1	2	309	618	2.300
GAC 75F	75	115	25	24	25	107	7.9	1.1	1	339	676	2.470
GAC 80F	80	125	29	25.5	29	115	8.6	1.1	3.5	387	772	3.400
GAC 85F	85	130	29	26.5	29	122	9.4	1.1	2	426	851	3.540
GAC 90F	90	140	32	28	32	128.5	10.1	1.5	3.5	474	948	4.600
GAC 95F	95	145	32	29.5	32	135	10.8	1.5	2	525	1049	4.880
GAC 100F	100	150	32	31	32	141	11.6	1.5	0.5	577	1151	5.150
GAC 105F	105	160	35	32.5	35	148	12.3	2	2	634	1267	6.450
GAC 110F	110	170	38	34	38	155	13	2	3	695	1380	8.100
GAC 120F	120	180	38	37	38	168	14.5	2	0.5	820	1630	8.730
GAC 130F	130	200	45	43	45	188	18	2.5	1	1060	2130	13.020
GAC 140F	140	210	45	43	45	198	19	2.5	1	1120	2240	13.920
GAC 150F	150	225	48	46	48	211	20	3	1	1280	2550	17.600
GAC 160F	160	240	51	49	51	225	20	3	1	1445	2900	20.720
GAC 170F	170	260	57	55	57	246	21	3	1	1780	3560	27.000
GAC 180F	180	280	64	61	64	260	21	3	1	2090	4170	38.300
GAC 190F	190	290	64	62	64	275	26	3	0.5	2250	4490	40.000
GAC 200F	200	310	70	66	70	290	26	3	1.5	2520	5040	49.500

Common Interchanges (1" Bore): GE 100SW

Spherical Plain Thrust Bearings

GX Series



Specifications

- Sliding surface: PTFE lined steel outer on chrome plated ball
- Suitable for radial loads and single direction axial (Thrust) load
- Maintenance free - low friction

Bearing Designation	Dimensions (mm)											Load Ratings kN		Weight
	d	D	B	C	H	d _k	S	d _{1 max}	D _{1 min}	r _{s1} r _{1s} min	α ~	Dynamic	Static	(lb)
GX 10F	10	30	7.5	7	9.5	32	7	27.5	15.5	0.6	5	45	90	0.079
GX 12F	12	35	9.5	9.3	13	38	8	32	18	0.6	5	65	130	0.158
GX 15F	15	42	11	10.8	15	46	10	39	22.5	0.6	6	95	190	0.237
GX 17F	17	47	11.8	11.2	16	52	11	43.5	27	0.6	4	110	220	0.300
GX 20F	20	55	14.5	13.8	20	60	12.5	50	31	1	5	150	300	0.541
GX 25F	25	62	16.5	16.7	22.5	68	14	58.5	34.5	1	5	245	490	0.913
GX 30F	30	75	19	19	26	82	17.5	70	42	1	5	335	670	1.350
GX 35F	35	90	22	20.7	28	98	22	84	50.5	1	5	490	980	2.150
GX 40F	40	105	27	21.5	32	114	24.5	97	59	1	6	675	1350	3.500
GX 45F	45	120	31	25.5	36.5	128	27.5	110	67	1	6	915	1830	4.930
GX 50F	50	130	33	30.5	42.5	139	30	120	70	1	6	1040	2080	6.910
GX 60F	60	150	37	34	45	160	35	140	84	1	6	1400	2800	10.190
GX 70F	70	160	42	36.5	50	176	35	153	94.5	1	3	1590	3180	11.810
GX 80F	80	180	43.5	38	50	197	42.5	172	107.5	1	4	1980	3920	15.200
GX 100F	100	210	51	46	59	222	45	198	127	1.1	4	2270	4540	24.000
GX 120F	120	230	53.5	50	64	250	52.5	220	145	1.1	3	2560	5720	30.580
GX 140F	140	260	61	54	72	274	52.5	243	177	1.5	3	3050	6100	39.820
GX 160F	160	290	66	58	77	313	65	271	200	1.5	2	3520	6250	51.040
GX 180F	180	320	74	62	86	340	67.5	299	225	1.5	4	4070	7220	68.000
GX 200	200	340	80	66	87	365	70	320	247	1.5	1	4780	9150	75.240

Common Interchanges (100mm Bore): GE100AW

Technical Information

Operating Temperatures

The operating temperature range for Spherical Plain Bearings with seals is -20° to +250°F. The operating range for Spherical Plain Bearings without seals is -50° to +300°F.

Lubrication

Steel-on-steel Spherical Plain Bearings are coated with MoS₂ dry lubricant & can be operated without lubrication when the magnitude of applied load is small and the sliding velocity of oscillation is small. In other applications, it is necessary to lubricate periodically with grease or oil. During initial operations, it is recommended to shorten the lubrication interval. Lithium soap base grease (NLGI consistency No. 2) containing molybdenum disulfide (MoS₂) is recommended as the lubricating grease.

When operating conditions are such that enhanced sealing protection against dust, contaminants or corrosive elements is required, the bearings can be effectively protected if the space around the bearing is filled with grease.

Internal Clearance

Internal clearance is defined as the total distance through which one ring can be moved radially or axially in relation to the other ring under a defined load. It is necessary to distinguish between the clearance before it is mounted, and the clearance of a mounted bearing. The unmounted clearance will always be greater than the operational clearance because the rings are expanded or compressed by interference fits of mating components.

Bearings are produced with standard "normal" clearance so that when bearings are mounted as generally recommended and operate under normal conditions, a suitable operational clearance will be obtained. For other conditions; for example when both rings are mounted with an interference fit, or where unusual temperatures prevail; bearings with a greater or smaller internal clearance may be required.

Standard "normal" clearances vary by series. Contact factory if actual clearance data is required.

Shaft & Housing Fits of Radial Spherical Plain Bearings

Shaft Fits

Operating Conditions	Sliding Contact	
	Steel on Steel	Maintenance Free
Normal Operation - Clearance/Transition Fit	h6	h6, g6
Normal Operation - Interference Fit	m6	k6

Consult factory for actual values corresponding to above fits

Housing Fits

Operating Conditions	Sliding Contact	
	Steel on Steel	Maintenance Free
Light Loads (axial displacement required)	H7	H7
Heavy Loads	M7	K7
Light Alloy Housing	N7	M7

Tolerances

Tolerances for Radial Spherical Plain Bearings

Unit: μm

Nominal Bore or Outside Diameter mm		Δ dmp Single plane mean bore dia. deviation		Δ Dmp Single plane mean outside dia. Deviation*		Δ Bs Inner ring width deviation		Δ Cs Outer ring width deviation	
Over	Incl.	Max	Min	Max	Min	Max	Min	Max	Min
2.5	6	0	-8	0	-	0	-120	0	-240
6	18	0	-8	0	-8	0	-120	0	-240
18	30	0	-10	0	-9	0	-120	0	-240
30	50	0	-12	0	-11	0	-120	0	-240
50	80	0	-15	0	-13	0	-150	0	-300
80	120	0	-20	0	-15	0	-200	0	-400
120	180	0	-25	0	-18	0	-250	0	-500
180	250	0	-30	0	-30	0	-300	0	-600
250	315	0	-35	0	-35	0	-350	0	-700
315	400	0	-40	0	-40	0	-400	0	-800

* Tolerances apply to outer rings without surface treatment and splitting. The outer rings become slightly out-of-round due to splitting. The roundness is restored once it is fitted in a housing bore produced in accordance with the specifications. Measurements taken of the outside diameter of the unfitted bearing cannot be used as the original actual values for the outside diameter.

Appendix

Spherical Plain Bearing Interchange

TRITAN #	Imp	SKF	RBC	TOR	INA	IKO	NTN	ASK
Radial Inch								
GEZ 100ES	GEZ25ES	GEZ100ES	B16L	10SF16	GE25ZO	SBB16	SA2-16B	SA2-16B
GEZ 100TE 2RS	GEZ25ET-2RS	GEZ100TE-2RS	B100LNMSS	10SFL16TT	-	-	SAR2-16	
COM 8	GEFZ12S	-	CRS 8 (Old #)	-	-	-	-	-
GEZM 100ES	GEWZ25ES	GEZM100ES	B16EL	-	-	-	-	-
GEZH 200ES	GEGZ50ES	GEZH200ES	BH3236L	-	-	-	-	-

Radial Metric								
GE25ES	GE25ES	GE25ES	MB25	25FS42	GE25DO	GE25ES	SA1-25B	GE25
GE25C	GE25C	GE25C	SAR1-25	GE25-D	GE25UK	GE25EC	SAR1-25*	BM25
GE 25TE 2RS	GE25ET-2RS	GE25TE-2RS	SAR1-25SS	GE25D-2RS	GE25UK-2RS	GE25EC-2RS	SAR1-25SS	-
GEH 25C	GEG25C	GEH25C	-	-	GE25FW	-	-	-
GEH 25ES	GEG25ES	GEH25ES	MBH2530	25FSH47	GE25FO	GE25GS	-	-
GEH 25TE 2RS	GEG25ET-2RS	GEH25TE-2RS	-	-	GE25FW-2RS	-	-	-
GEM25ES-2RS	GEEM25ES-2RS	GEM25ES-2RS	-	-	GE25HO-2RS	-	-	-
GEG25ES	GEEW25ES	GEG25ES	MB25E	-	GE25LO	GE25BN-A	-	-

Angular Contact								
GAC 25F	GAC25T	GAC25F	MB25SA**	-	GE25SW	-	-	-
GAZ 200SA	GACZ50S	GAZ200SA	B32SA	20SBT32	-	-	-	-

Thrust								
GX 25F	GX25T	GX25F	-	-	GE25AW	-	-	-
GX 25	GX25S	-	-	-	-	-	SAT25	-

* NTN Bearing - Only Ball is chrome ** RBC is made Re-lube type, not maintenance free like others

This chart is prepared to assist in comparing the interchangeability between manufacturers & should be used as a guide only. Efforts have been made to ensure its accuracy. Please contact Distributor to assist in comparing dimensions critical for specific applications.

Common Applications

Heavy Equipment

Dump Trucks

- Hinge Pin between truck bed & frame - GEZ Series
- Mobile Hydraulic Cylinders: Clevis on one or both ends of cylinder - GE/GEZ Series

Front End Loaders

- Clevis/Shovel Connection - GEZ Series
- Articulated Joint - GEZ Series
- Mobile Hydraulic Cylinders: Clevis on one or both ends of cylinder - GE/GEZ Series

Logging Machinery

- King Pin Assemblies - GAZ...SA
- Tie Rod - GEG or GEM (extended inner ring eliminates need for spacers)

Shuttle Cars (Mining)

- GAZ...SA angular contact

Wind Mills

- GAZ...Series angular contact

Fork Lifts

- Steering Axle, Drag Link & King Pin on steering assemblies - GE/GEZ Series
- Tilt Cylinders guiding the forward/backward movement of the mast - GEZ Series

Textile Industry Extractors

- Suspension rods (misalignment) - GE Series

Overhead Carrier

- Eyebolt - GEZ & GAZ...SA angular contact

Chain Conveyor

- Chain Link top plates - GEZ
- Chain Link anchor plates (thrust loads) - GAZ...SA



TRITAN

PRECISION BEARINGS AND POWER TRANSMISSION COMPONENTS



Rod Ends

HM Series Precision Male Rod Ends

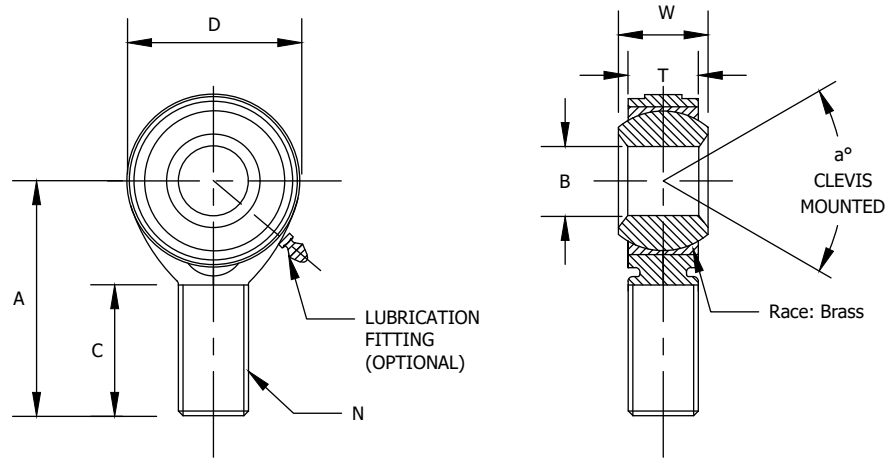
Precision three piece construction provides steel-on-bronze contact for lubricity, smoother operation, and provides long dynamic life.

Material

Ball: 52100/Hard Chrome Plated
 Body: Carbon Steel/Zinc Plated
 Race: Sintered Oil Impregnated Bronze

Applications

Precision Machinery
 Industrial Equipment
 Farm Machinery
 Truck/Bus/Off Road Vehicles
 Recreational Vehicles



Male Rod Ends		B Dia.	D Dia.	W Width	T Width	Ball Dia.	A Length	N Thread	C Length	a° Mis. Angle	Ult. Static Radial Load (lbs)	Approx. Weight (lbs)
Right Hand Part No.	Left Hand Part No.	+0.0015 -0.0005	+0.010 -0.010	+0.005 -0.005	Ref.	Ref.	+0.015 -0.015	UNF 3A	+0.062 -0.031	Ref.		
HM3	HML3	0.1900	0.625	0.312	0.250	0.437	1.250	10-32	0.750	13	1,174	0.03
HM4	HML4	0.2500	0.750	0.375	0.281	0.500	1.562	1/4-28	1.000	16	2,168	0.04
HM5	HML5	0.3125	0.875	0.437	0.344	0.625	1.875	5/16-24	1.250	14	2,796	0.07
HM6	HML6	0.3750	1.000	0.500	0.406	0.719	1.938	3/8-24	1.250	12	4,012	0.11
HM7	HML7	0.4375	1.125	0.562	0.437	0.812	2.125	7/16-20	1.375	14	4,244	0.16
HM8	HML8	0.5000	1.312	0.625	0.500	0.937	2.438	1/2-20	1.500	12	6,700	0.25
HM10	HML10	0.6250	1.500	0.750	0.562	1.125	2.625	5/8-18	1.625	16	7,400	0.38
HM12	HML12	0.7500	1.750	0.875	0.687	1.312	2.875	3/4-16	1.750	14	11,550	0.60

Available in Re-Lubricable design - Add G Suffix (HM 6G)

Interchanges/Equivalents:

TRITAN	Heim	Aurora	SealMaster/ Spherco	Cablecraft	Alinabal
HM 8	HM8	MM-8	TRE8	DBM8	VXM-8-G
HM 8G	HM8G	MM-8Z	TRE8N	DBM8Z	VXM-8-G-8
HML 8	HML8	MB-8	TREL8	DBML8	VXML-8-G
HML 8G	HML8G	MB-8Z	TREL8N	DBML8Z	VXML-8-G-8

Interchange chart is provided to assist in comparing interchangeability between various manufacturers. The chart is to be used as a guide only. Consult TRITAN engineering to assist in comparing dimensions critical for specific applications.

Rod Ends

HF Series Precision Female Rod Ends



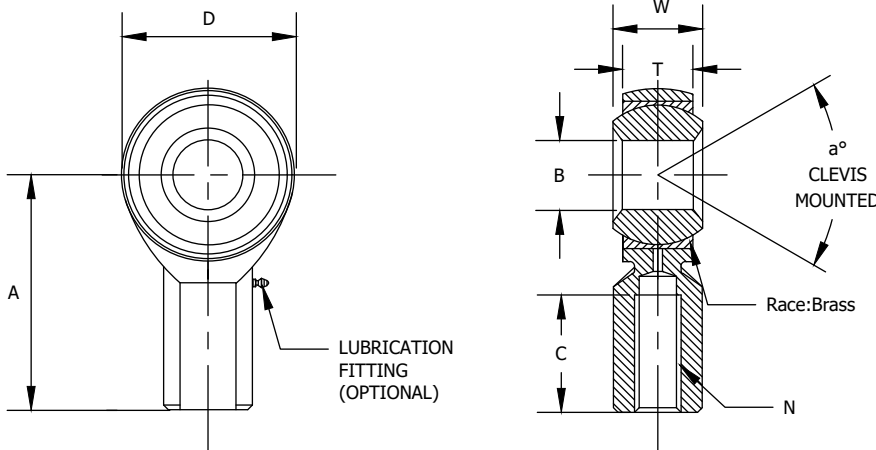
Precision three piece construction provides steel-on-bronze contact for lubricity, smoother operation, and provides long dynamic life.

Material

Ball: 52100/Hard Chrome Plated
 Body: Carbon Steel/Zinc Plated
 Race: Sintered Oil Impregnated Bronze

Applications

Precision Machinery
 Industrial Equipment
 Farm Machinery
 Truck/Bus/Off Road Vehicles
 Recreational Vehicles



Female Rod Ends		B Dia.	D Dia.	W Width	T Width	Ball Dia.	A Length	N Thread	C Length	E Dia.	F Flat	a° Mis. Angle	Ult. Static Radial Load (lbs)	Approx. Weight (lbs)
Right Hand Part No.	Left Hand Part No.	+0.0015 -0.0005	+0.010 -0.010	+0.005 -0.005	+0.015 -0.015	Ref.	+0.015 -0.015	UNF 2B	+0.062 -0.031	+0.010 -0.010	+0.010 -0.010	Ref.		
HF3	HFL3	0.1900	0.625	0.312	0.250	0.437	1.062	10-32	0.500	0.406	0.312	13	1,624	0.04
HF4	HFL4	0.2500	0.750	0.375	0.281	0.500	1.312	1/4-28	0.687	0.468	0.375	16	2,545	0.06
HF5	HFL5	0.3125	0.875	0.437	0.344	0.625	1.375	5/16-24	0.687	0.500	0.437	14	3,200	0.09
HF6	HFL6	0.3750	1.000	0.500	0.406	0.719	1.625	3/8-24	0.812	0.687	0.562	12	3,950	0.15
HF7	HFL7	0.4375	1.250	0.562	0.437	0.812	1.812	7/16-20	0.937	0.750	0.625	14	4,300	0.20
HF8	HFL8	0.5000	1.312	0.625	0.500	0.937	2.125	1/2-20	1.062	0.875	0.750	12	6,700	0.33
HF10	HFL10	0.6250	1.500	0.750	0.562	1.125	2.500	5/8-18	1.375	1.000	0.875	16	7,400	0.48
HF12	HFL12	0.7500	1.750	0.875	0.687	1.312	2.875	3/4-16	1.562	1.1250	1.000	14	11,550	0.72

Available in Re-Lubricable design - Add G Suffix (HF 6G)

Interchanges/Equivalents:

TRITAN	Heim	Aurora	SealMaster/ Spherco	Cablecraft	Alinabal
HF 8	HF8	MW-8	TR8	DBF8	VXF-8-G
HF 8G	HF8G	MW-8Z	TR8N	DBF8Z	VXF-8-G-8
HFL 8	HFL8	MG-8	TRL8	DBFL8	VXFL-8-G
HFL 8G	HFL8G	MG-8Z	TRL8N	DBFL8Z	VXFL-8-G-8

Interchange chart is provided to assist in comparing interchangeability between various manufacturers. The chart is to be used as a guide only. Consult TRITAN engineering to assist in comparing dimensions critical for specific applications.

CM Series Commercial Male Rod Ends

Two Piece metal-on-metal construction offers the most economical design for a wide range of light to heavy duty motion transfer applications.

Material

Ball: 52100/Hard Chrome Plated

Body: Carbon Steel/Zinc Plated

Applications

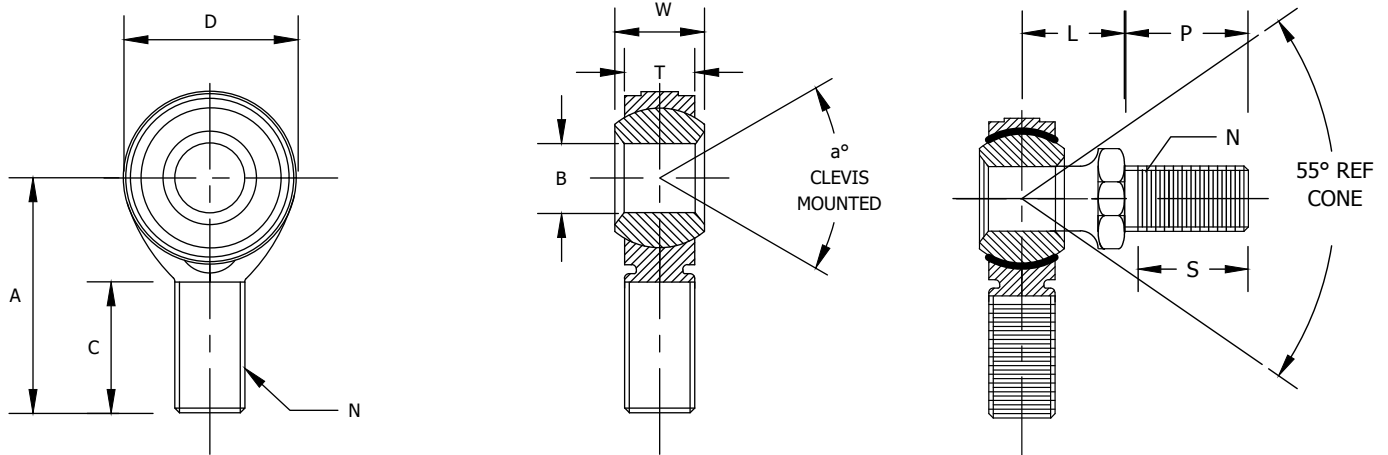
Construction Machinery

Industrial Equipment

Lawn & Garden Applications

Truck/Bus/Off Road Vehicles

Recreational Vehicles



Male Rod Ends		B Dia.	D Dia.	W Width	T Width	Ball Dia.	A Length	N Thread	C Length	a° Mis. Angle	Ult. Static Radial Load (lbs)	Approx. Weight (lbs)
Right Hand Part No.	Left Hand Part No.	+0.0025 -0.0005	+0.010 -0.010	+0.005 -0.005	Ref.	Ref.	+0.015 -0.015	UNF 3A	+0.062 -0.031	Ref.		
CM 3	CML 3	0.1900	0.625	0.312	0.234	0.437	1.250	10-32	0.750	20	1,210	0.03
CM 4	CML 4	0.2500	0.750	0.375	0.250	0.500	1.562	1/4-28	1.000	27	2,225	0.04
CM 5	CML 5	0.3125	0.875	0.437	0.312	0.625	1.875	5/16-24	1.250	22	3,600	0.07
CM 6	CML 6	0.3750	1.000	0.500	0.359	0.719	1.938	3/8-24	1.250	22	5,100	0.11
CM 7	CML 7	0.4375	1.125	0.562	0.406	0.812	2.125	7/16-20	1.375	21	6,402	0.15
CM 8	CML 8	0.5000	1.312	0.625	0.453	0.937	2.438	1/2-20	1.500	20	8,386	0.24
CM 10	CML 10	0.6250	1.500	0.750	0.484	1.125	2.625	5/8-18	1.625	26	9,813	0.36
CM 12	CML 12	0.7500	1.750	0.875	0.593	1.312	2.875	3/4-16	1.750	24	14,290	0.57

Available with Stud - Add Suffix 'S' (CM 8S), or Maintenance Free/PTFE lined - Add suffix 'T' (CM 8T), or Stainless - Maintenance Free - Add suffix 'TX'.

Interchanges/Equivalents:

TRITAN	Heim	SealMaster/Spherco	Alinabal	Aurora	FK	Cablecraft
CM 8	M8CR	CFM8	AM-8-GP	CM-8	CM8/ECM8	EM8
CM 8T	CMHD8	CFM8T	PM-8-G	VCM-4	CM8T	CM8T
CM 8S	M8CRY	CFM8Y	AMS-4-GP	CM-8S	CM8Y/ECM8Y	EM8S
CM 8TS	CMHD8Y	CFM8TY	PMS-4G	VCM-8S	CM8TY	CM8TS

Interchange chart is provided to assist in comparing interchangeability between various manufacturers. The chart is to be used as a guide only. Consult TRITAN engineering to assist in comparing dimensions critical for specific applications.

Rod Ends

CF Series Commercial Female Rod Ends



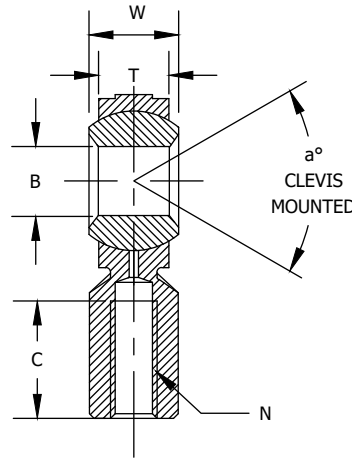
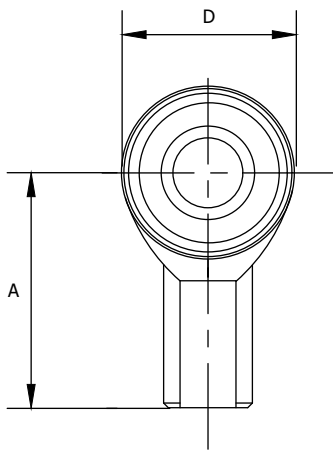
Two Piece metal-on-metal construction offers the most economical design for a wide range of light to heavy duty motion transfer applications.

Material

Ball: 52100/Hard Chrome Plated
Body: Carbon Steel/Zinc Plated

Applications

Construction Machinery
Industrial Equipment
Lawn & Garden Applications
Truck/Bus/Off Road Vehicles
Recreational Vehicles



Studded Dimensions				
Size	L (Ref)	P	S	N Thread Size
CM4	0.469	0.563	0.500	1/4-28
CM5	0.531	0.688	0.594	5/16-24
CM6	0.625	0.875	0.781	3/8-24
CM8	0.875	1.125	1.000	1/2-20
CM10	1.000	1.125	1.000	5/8-18

Female Rod Ends		B Dia.	D Dia.	W Width	T Width	Ball Dia.	A Length	N Thread	C Length	E Dia.	F Flat	a° Mis. Angle	Ult. Static Radial Load (lbs)	Approx. Weight (lbs)
Right Hand Part No.	Left Hand Part No.	+0.0025 -0.0005	+0.010 -0.010	+0.005 -0.005	Ref.	Ref.	+0.015 -0.015	UNF 2B	+0.062 -0.031	+0.010 -0.010	+0.010 -0.010	Ref.		
CF 3	CFL 3	0.1900	0.625	0.312	0.234	0.437	1.062	10-32	0.500	0.406	0.312	20	2,000	0.04
CF 4	CFL 4	0.2500	0.750	0.375	0.250	0.500	1.312	1/4-28	0.687	0.468	0.375	27	3,250	0.05
CF 5	CFL 5	0.3125	0.875	0.437	0.312	0.625	1.375	5/16-24	0.687	0.500	0.437	22	3,934	0.08
CF 6	CFL 6	0.3750	1.000	0.500	0.359	0.719	1.625	3/8-24	0.812	0.687	0.562	22	5,100	0.13
CF 7	CFL 7	0.4375	1.125	0.562	0.406	0.812	1.812	7/16-20	0.937	0.750	0.625	21	6,420	0.18
CF 8	CFL 8	0.5000	1.312	0.625	0.453	0.937	2.125	1/2-20	1.062	0.875	0.750	20	9,100	0.29
CF 10	CFL 10	0.6250	1.500	0.750	0.484	1.125	2.500	5/8-18	1.375	1.000	0.875	26	9,800	0.43
CF 12	CFL 12	0.7500	1.750	0.875	0.593	1.312	2.875	3/4-16	1.562	1.125	1.000	24	14,250	0.65

Available with Stud - Add Suffix 'S' (CM 8S), or Maintenance Free/PTFE lined - Add suffix 'T' (CM 8T), or Stainless - Maintenance Free - Add suffix 'TX'.

Interchanges/Equivalents:

TRITAN	Heim	SealMaster/Spherco	Alinabal	Aurora	FK	Cablecraft
CF 8	F8CR	CFF8	AF-8-GP	CW-8	CF8/ECF8	EF 8
CF 8T	CFHD 8	CFF8T	PF-8-G	VCW-8	CF8T	CF8T
CF 8S	F8CRY	CFF8Y	AFS-8-GP	CW-8S	CF8Y	EF 8S
CF 8TS	CFHDY 8	CFF8TY	PFS-8-G	VCW-8S	CF8TY	CF8TS

Interchange chart is provided to assist in comparing interchangeability between various manufacturers. The chart is to be used as a guide only. Consult TRITAN engineering to assist in comparing dimensions critical for specific applications.

CM Series Maintenance Free Male Rod Ends

Two Piece metal-on-PTFE construction offers an economical design for a wide range of light to heavy duty motion transfer applications. The PTFE Liner is self-lubricating and moisture resistant; and acts to minimize wear and extend life.

Material

Ball: 52100/Hard Chrome Plated

Body: Carbon Steel/Zinc Plated with PTFE Liner

Applications

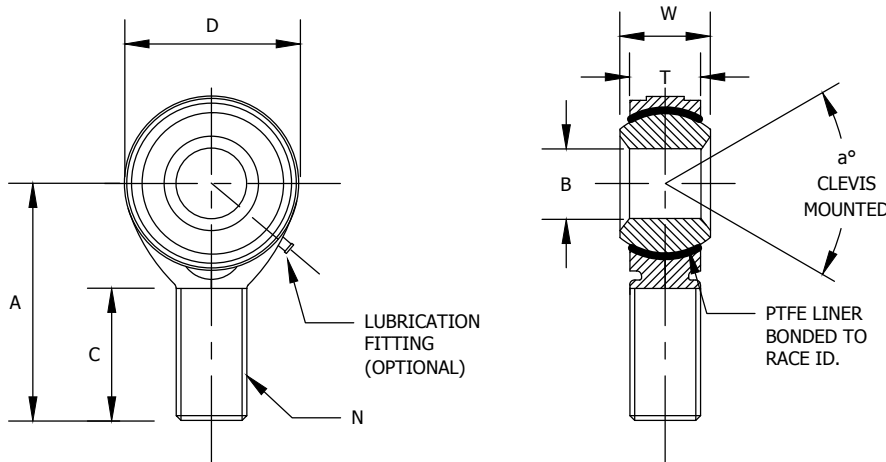
Construction Machinery

Industrial Equipment

Lawn & Garden Applications

Truck/Bus/Off Road Vehicles

Recreational Vehicles



Male Rod Ends		B Dia.	D Dia.	W Width	T Width	Ball Dia.	A Length	N Thread	C Length	a° Mis. Angle	Ult. Static Radial Load (lbs)	Approx. Weight (lbs)
Right Hand Part No.	Left Hand Part No.	+0.0025 -0.0005	+0.010 -0.010	+0.005 -0.005	Ref.	Ref.	+0.015 -0.015	UNF 3A	+0.062 -0.031	Ref.		
CM3T	CML3T	0.1900	0.625	0.312	0.234	0.437	1.250	10-32	0.750	20	902	0.03
CM4T	CML4T	0.2500	0.750	0.375	0.250	0.500	1.562	1/4-28	1.000	27	1,809	0.04
CM5T	CML5T	0.3125	0.875	0.437	0.312	0.625	1.875	5/16-24	1.250	22	2,984	0.07
CM6T	CML6T	0.3750	1.000	0.500	0.359	0.719	1.938	3/8-24	1.250	22	4,244	0.11
CM7T	CML7T	0.4375	1.125	0.562	0.406	0.812	2.125	7/16-20	1.375	21	5,312	0.15
CM8T	CML8T	0.5000	1.312	0.625	0.453	0.937	2.438	1/2-20	1.500	20	7,211	0.24
CM10T	CML10T	0.6250	1.500	0.750	0.484	1.125	2.625	5/8-18	1.625	26	8,403	0.36
CM12T	CML12T	0.7500	1.750	0.875	0.593	1.312	2.875	3/4-16	1.750	24	12,321	0.57

Available with Stud - Add Suffix 'S' (CM 8TS). See pages 228 & 229 for Studted Dimensions.

Interchanges/Equivalents:

TRITAN	Heim	SealMaster/Spherco	Alinabal	Aurora	FK	Cablecraft
CM 8T	CMHD8	CFM8T	PM-8-G	VCM-4	CM8T	CM8T
CM 8TS	CMHD8Y	CFM8TY	PMS-4G	VCM-8S	CM8TY	CM8TS

Interchange chart is provided to assist in comparing interchangeability between various manufacturers. The chart is to be used as a guide only. Consult TRITAN engineering to assist in comparing dimensions critical for specific applications.

Precision Rod Ends

CF Series Maintenance Free Female Rod Ends



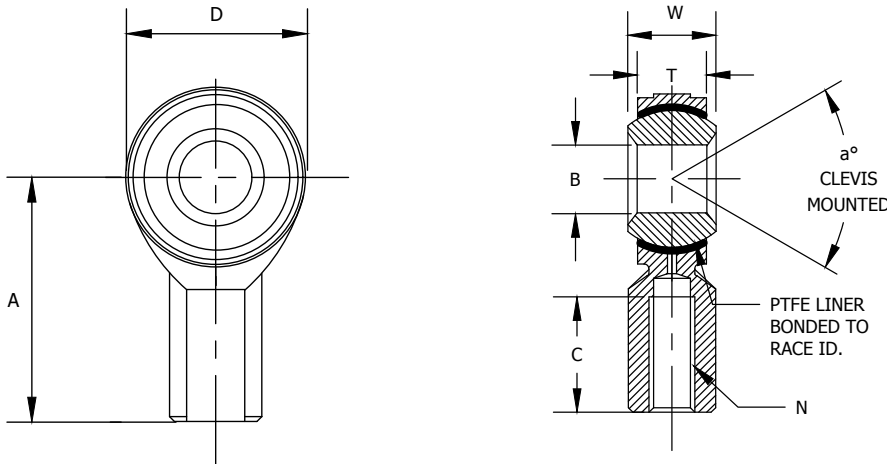
Two Piece metal-on-PTFE construction offers an economical design for a wide range of light to heavy duty motion transfer applications. The PTFE Liner is self-lubricating and moisture resistant; and acts to minimize wear and extend life.

Material

Ball: 52100/Hard Chrome Plated
Body: Carbon Steel/Zinc Plated with PTFE Liner

Applications

Construction Machinery
Industrial Equipment
Lawn & Garden Applications
Truck/Bus/Off Road Vehicles
Recreational Vehicles



Female Rod Ends		B Dia.	D Dia.	W Width	T Width	Ball Dia.	A Length	N Thread	C Length	E Dia.	F Flat	a° Mis. Angle	Ult. Static Radial Load (lbs)	Approx. Weight (lbs)
Right Hand Part No.	Left Hand Part No.	+0.0025 -0.0005	+0.010 -0.010	+0.005 -0.005	Ref.	Ref.	+0.015 -0.015	UNF 2B	+0.062 -0.031	+0.010 -0.010	+0.010 -0.010	Ref.		
CF 3T	CFL3T	0.1900	0.625	0.312	0.234	0.437	1.062	10-32	0.500	0.406	0.312	20	1,637	0.04
CF 4T	CFL4T	0.2500	0.750	0.375	0.250	0.500	1.312	1/4-28	0.687	0.468	0.375	27	2,612	0.05
CF 5T	CFL5T	0.3125	0.875	0.437	0.312	0.625	1.375	5/16-24	0.687	0.500	0.437	22	3,110	0.08
CF 6T	CFL6T	0.3750	1.000	0.500	0.359	0.719	1.625	3/8-24	0.812	0.687	0.562	22	4,206	0.13
CF 7T	CFL7T	0.4375	1.125	0.562	0.406	0.812	1.812	7/16-20	0.937	0.750	0.625	21	5,384	0.18
CF8T	CFL8T	0.5000	1.312	0.625	0.453	0.937	2.125	1/2-20	1.062	0.875	0.750	20	7,826	0.29
CF10T	CFL10T	0.6250	1.500	0.750	0.484	1.125	2.500	5/8-18	1.375	1.000	0.875	26	8,343	0.43
CF12T	CFL12T	0.7500	1.750	0.875	0.593	1.312	2.875	3/4-16	1.562	1.125	1.000	24	12,342	0.65

Available with Stud - Add Suffix 'S' (CF 8TS). See pages 228 & 229 for Studded Dimensions.

Interchanges/Equivalents:

TRITAN	Heim	SealMaster/Spherco	Alinabal	Aurora	FK	Cablecraft
CF 8T	CFHD 8	CFF8T	PF-8-G	VCW-8	CF8T	CF8T
CF 8TS	CFHDY 8	CFF8TY	PFS-8-G	VCW-8S	CF8TY	CF8TS

Interchange chart is provided to assist in comparing interchangeability between various manufacturers. The chart is to be used as a guide only. Consult TRITAN engineering to assist in comparing dimensions critical for specific applications.

SA (L) Series Metric Male Rod Ends

Precision construction provides steel-on-steel contact coated with MoS2 for greater lubricity, smoother operation, and provides long dynamic life.

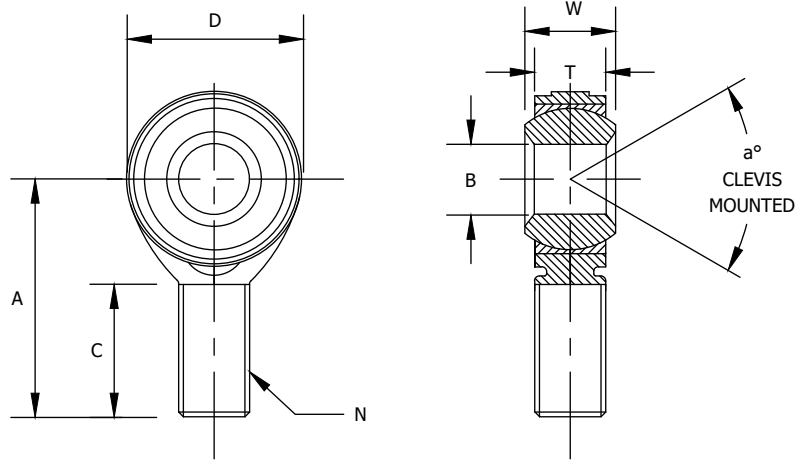
Material

Ball: 52100/MoS2 Coated
 Body: Carbon Steel/Zinc Plated
 Race: 52100/MoS2 Coated

Applications

Precision Machinery
 Industrial Equipment
 Farm Machinery
 Truck/Bus/Off Road Vehicles
 Recreational Vehicles

TRITAN #	SKF #	INA	Cons #
SA(L) 12E	SA(L) 12E	GAR/GAL 12DO	SA(L) 12E
SA(L) 15ES	SA(L) 15ES	GAR/GAL 15DO	SA(L) 15ES
SA(L) 25ES	SA(L) 25ES	GAR/GAL 25DO	SA(L) 25ES
SA(L) 30ES	SA(L) 30ES	GAR/GAL 30DO	SA(L) 30ES
SA(L)A 40ES	SA(L)A 40ES	GAR/GAL 40DO	SA(L)C 40ES
SA(L)A 50ES	SA(L)A 50ES	GAR/GAL 50DO	SA(L)C 50ES
SA(L)A 60ES	SA(L)A 60ES	GAR/GAL 60DO	SA(L)C 60ES
SA(L)A 70ES	SA(L)A 70ES	GAR/GAL 70DO	SA(L)C 70ES
SA(L)A 80ES	SA(L)A 80ES	GAR/GAL 80DO	SA(L)C 80ES



Male Rod Ends		B Dia.	D Dia.	W Width	T Width	Ball Dia.	A Length	N Thread	C Length	a° Mis. Angle	Ult. Static Radial Load (lbs)	Approx. Weight (lbs)
Right Hand Part No.	Left Hand Part No.	+0.0025 -0.0005	+0.10 -0.10	+0.05 -0.05	Ref.	Ref.	+0.15 -0.15	UNF 3A	+0.062 -0.031	Ref.		
SA5E	SAL5E	5	21	6	4.5	10	46.5	M5	16	13	877	0.04
SA6E	SAL6E	6	21	6	4.5	10	46.5	M6	16	13	1236	0.04
SA8E	SAL8E	8	24	8	6.5	13	54	M8	21	15	2248	0.06
SA10E	SAL10E	10	29	9	7.5	16	62.5	M10	26	12	3597	0.11
SA12E	SAL12E	12	34	10	8.5	18	71	M12	28	10	5171	0.15
SA15ES	SAL15ES	15	40	12	10.5	22	83	M14	34	8	7194	0.26
SA17ES 2RS	SAL17ES 2RS	17	46	14	11.5	25	92	M16	36	10	9892	0.42
SA20ES 2RS	SAL20ES 2RS	20	53	16	13.5	29	104.5	M20x1.5	43	9	13489	0.68
SA25ES 2RS	SAL25ES 2RS	25	64	20	18	35.5	126	M24x2	53	7	18659	1.23
SA30ES 2RS	SAL30ES 2RS	30	73	22	20	40.7	146.5	M30x2	65	6	24729	1.96
SA35ES 2RS	SAL35ES 2RS	35	82	25	22	47	181	M36x3	82	6	32822	3.09
SAA40ES 2RS	SALA40ES 2RS	40	92	28	24	53	196	M39x3	86	7	40466	3.97
SAA45ES 2RS	SALA45ES 2RS	45	102	32	28	60	214	M42x3	92	7	53954	5.51
SAA50ES 2RS	SALA50ES 2RS	50	112	35	31	66	241	M45x3	104	6	65195	7.94
SAA60ES 2RS	SALA60ES 2RS	60	135	44	39	80	277.5	M52x3	115	6	101164	12.57
SAA70ES 2RS	SALA70ES 2RS	70	160	49	43	92	315	M56x4	125	6	137133	17.42
SAA80ES 2RS	SALA80ES 2RS	80	180	55	48	105	360	M64x4	140	6	168607	26.46

Interchange chart is provided to assist in comparing interchangeability between various manufacturers. The chart is to be used as a guide only. Consult TRITAN engineering to assist in comparing dimensions critical for specific applications.

Rod Ends

SI (L) Series Metric Female Rod Ends

TRITAN #	SKF #	INA	Cons #
SI(L) 12E	SI(L) 12E	GIR/GIL 12DO	SI(L) 12E
SI(L) 15ES	SI(L) 15ES	GIR/GIL 15DO	SI(L) 15ES
SI(L) 25ES	SI(L) 25ES	GIR/GIL 25DO	SI(L) 25ES
SI(L) 30ES	SI(L) 30ES	GIR/GIL 30DO	SI(L) 30ES
SI(L)A 40ES	SI(L)A 40ES	GIR/GIL 40DO	SI(L)C 40ES
SI(L)A 50ES	SI(L)A 50ES	GIR/GIL 50DO	SI(L)C 50ES
SI(L)A 60ES	SI(L)A 60ES	GIR/GIL 60DO	SI(L)C 60ES
SI(L)A 70ES	SI(L)A 70ES	GIR/GIL 70DO	SI(L)C 70ES
SI(L)A 80ES	SI(L)A 80ES	GIR/GIL 80DO	SI(L)C 80ES

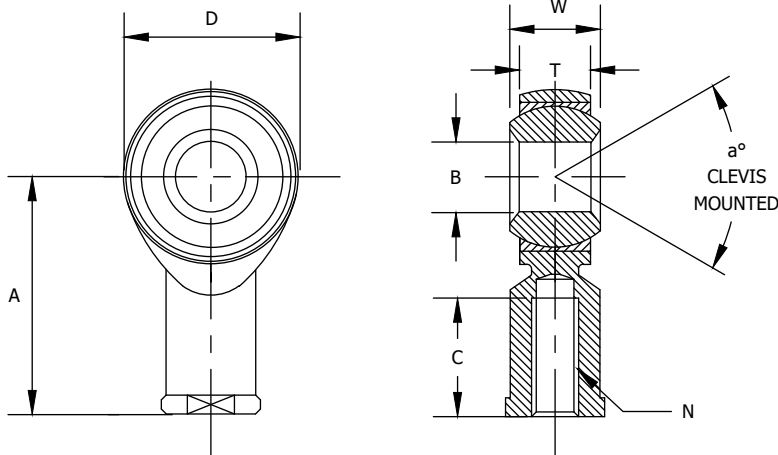
Precision construction provides steel-on-steel contact coated with MoS2 for greater lubricity, smoother operation, and provides long dynamic life.

Material

Ball: 52100/MoS2 Coated
 Body: Carbon Steel/Zinc Plated
 Race: 52100/MoS2 Coated

Applications

Precision Machinery
 Industrial Equipment
 Farm Machinery
 Truck/Bus/Off Road Vehicles
 Recreational Vehicles

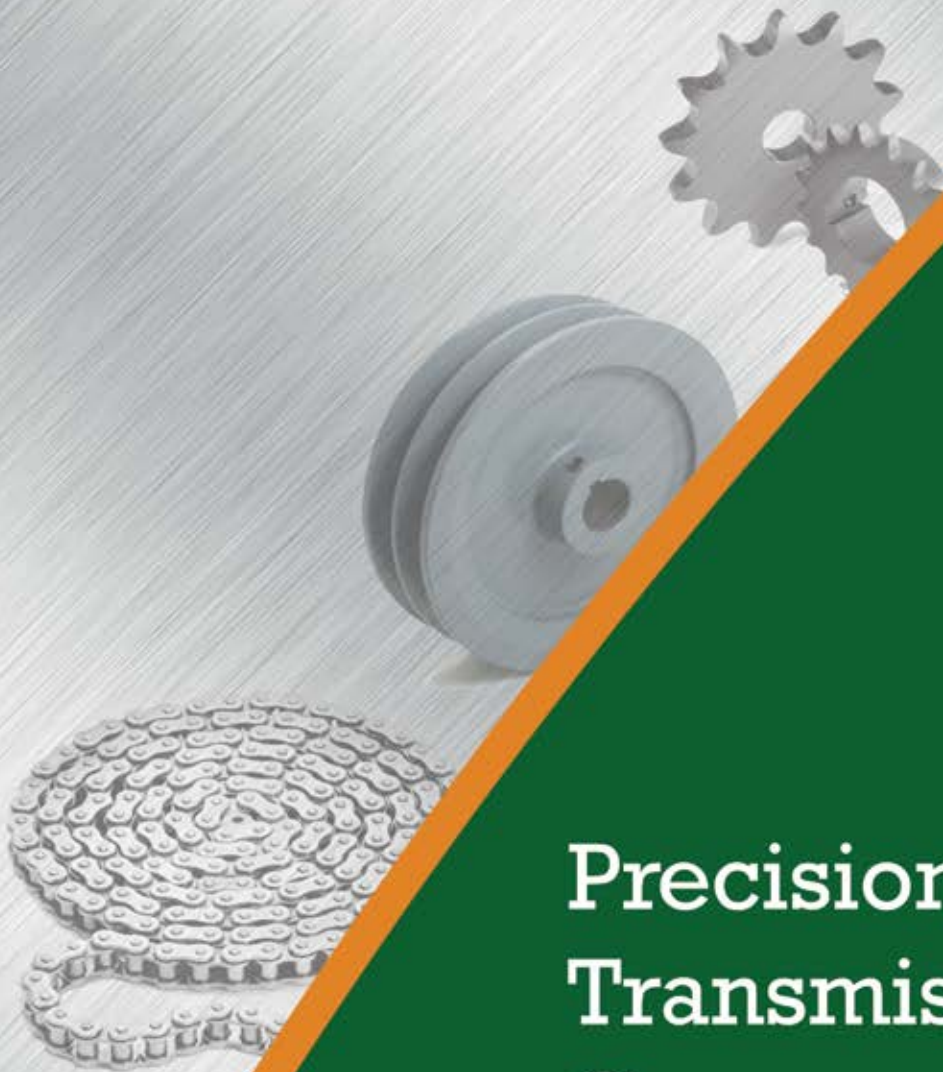


Male Rod Ends		B Dia.	D Dia.	W Width	T Width	Ball Dia.	A Length	N Thread	C Length	a° Mis. Angle	Ult. Static Radial Load (lbs)	Approx. Weight (lbs)
Right Hand Part No.	Left Hand Part No.	+0.0025 -0.0005	+0.010 -0.010	+0.005 -0.005	Ref.	Ref.	+0.015 -0.015	UNF 3A	+0.062 -0.031	Ref.		
SI5E	SIL5E	5	21	6	4.5	10	40.5	M5	11	13	1821	0.05
SI6E	SIL6E	6	21	6	4.5	10	40.5	M6	11	13	1821	0.05
SI8E	SIL8E	8	24	8	6.5	13	48	M8	15	15	2900	0.09
SI10E	SIL10E	10	29	9	7.5	16	57.5	M10	20	12	3957	0.14
SI12E	SIL12E	12	34	10	8.5	18	67	M12	23	10	5508	0.21
SI15ES	SIL15ES	15	40	12	10.5	22	81	M14	30	8	8093	0.35
SI17ES 2RS	SIL17ES 2RS	17	46	14	11.5	25	90	M16	34	10	10116	0.53
SI20ES 2RS	SIL20ES 2RS	20	53	16	13.5	29	103.5	M20x1.5	40	9	13489	0.77
SI25ES 2RS	SIL25ES 2RS	25	64	20	18	35.5	126	M24x2	48	7	18659	1.46
SI30ES 2RS	SIL30ES 2RS	30	73	22	20	40.7	146.5	M30x2	56	6	24729	2.16
SI35ES 2RS	SIL35ES 2RS	35	82	25	22	47	166	M36x3	60	6	32822	3.31
SIA40ES 2RS	SILA40ES 2RS	40	92	28	24	53	188	M39x3	65	7	40466	4.63
SIA45ES 2RS	SILA45ES 2RS	45	102	32	28	60	196	M42x3	65	7	53954	5.95
SIA50ES 2RS	SILA50ES 2RS	50	112	35	31	66	216	M45x3	68	6	65195	7.72
SIA60ES 2RS	SILA60ES 2RS	60	135	44	39	80	242.5	M52x3	70	6	101164	12.35
SIA70ES 2RS	SILA70ES 2RS	70	160	49	43	92	280	M56x4	80	6	137133	18.3
SIA80ES 2RS	SILA80ES 2RS	80	180	55	48	105	320	M64x4	85	6	168607	28.66

Interchange chart is provided to assist in comparing interchangeability between various manufacturers. The chart is to be used as a guide only. Consult TRITAN engineering to assist in comparing dimensions critical for specific applications.

TRITAN

PRECISION BEARINGS AND POWER TRANSMISSION COMPONENTS



Precision Power
Transmission
Components

Precision Chain Technology

TRITAN is one of China's most technologically advanced chains. With advanced manufacturing utilizing CNC machinery, specialized heat treatment and testing, TRITAN Chain is produced to conform with ANSI B29.1, DIN8196 and JIS1801 standards and provides quality that was once only available from Japan or Europe. It is designed with a wide waist link plate, seam oriented bushings, link plates are shot peened and holes are ball burnished. These features improve wear resistance and provide greater fatigue strength.

Packaging

TRITAN Chain is supplied in 10ft lengths in rust prohibitive boxes, and 50ft and 100ft reels. Custom chain lengths can be supplied upon request. Refer to How to Order.

Connecting Links

- Connecting links are supplied standard with TRITAN Chain. 10FT Boxes will contain 1 standard connecting link, and reels will include 2.
- Additional spring type, cotted type or offset connecting links are available upon request.
- In normal installations an odd number of pitches/links of chain will require a standard connecting link (CL). These are available in both spring and cotted types.
- For an even number of pitches/links an offset link (OSL) should be used.
- Refer to How to Order for additional information on the use of connecting links in cut-to-length chain.

Materials and Temperature Limitations

TRITAN Precision Roller Chain is constructed of high quality, heat treated carbon steel, and can be used at temperatures between 0°F and 350°F. As well it can be used at higher temperatures up to 500°F, however the load capacity decreases as the temperature rises. At 500°F the load capacity is approx 50% of normal.

Stainless Steel Precision Roller Chain is constructed of high quality 304 grade stainless steel, and provides an excellent solution for corrosive environments. Stainless Chain can be used at temperatures below 0°F and above 500°F. TRITAN Chain is also produced in Nickel Plated and Dacromet coated varieties, ideal as an economical solution for humid environments and washdown applications.

How to Order

To order roller chain, the following information is needed

Size: Specific Pitch, and ANSI or ISO/BS

Type: Standard Riveted or Cotted

Quantity: Chain length in either in feet, or number of pitches/links.

Chain is normally available and sold in 10ft boxes, 50ft reels, and 100 ft reels.

If ordering chain with attachments, the spacing of attachments must be specified.

Made-to-Order / Cut to Length Options

Roller Chain with a connecting link(s)

When the number of pitches is even, a connecting link is needed
Example: 40-1R x 8p + CL

Even pitch lengths can also be used with a connecting link at each end.

Roller Chain with an Offset Link

When the number of pitches is odd, an offset link is necessary
Example: 40-1R x 9p + OSL

The odd pitch length can also be used and ordered as Roller Chain with Roller Links on each end, where no connecting link will be used.

Endless Chain

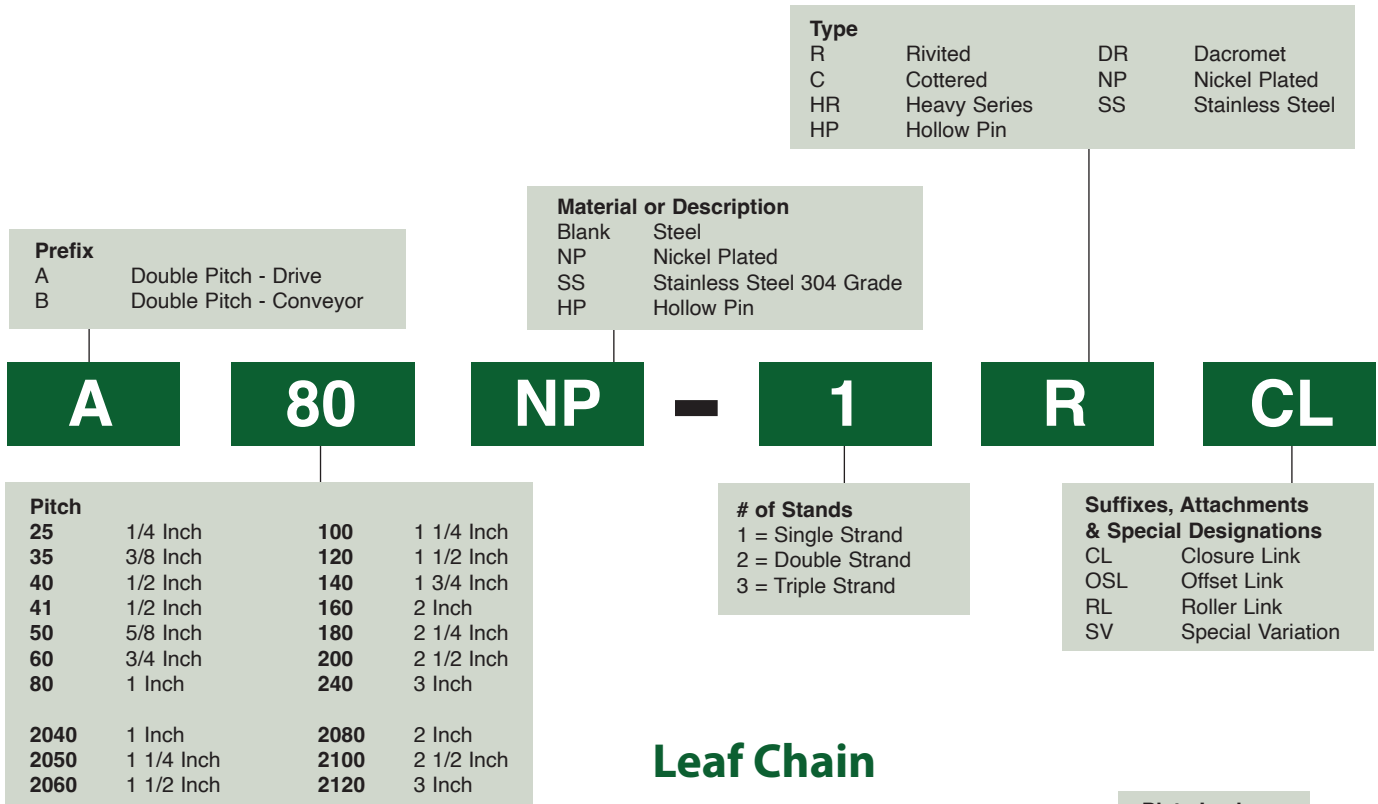
Endless Chain is delivered as a continuous loop, and is typically factory riveted with no connecting link.

Specify the EVEN number of links and "Endless"

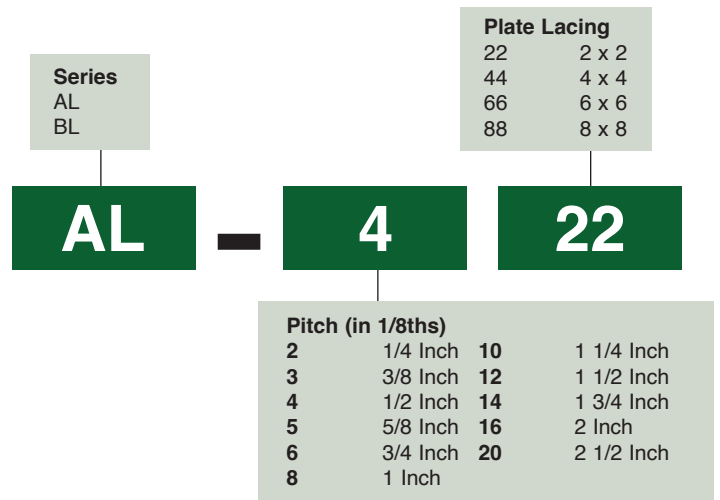
Example: 60-1R X 20p Endless

ANSI Chain Number	Pitch (in.)		Standard Packaging				Wgt Per Ft
			10Ft Box	50ft Reel	100ft Reel	250ft Reel	
			# Links				
25	1/4"	0.250	480				0.094
35	3/8"	0.375	320				0.22
41	1/2"	0.500	240				0.27
43	1/2"	0.500	240		x	x	0.19
40	1/2"	0.500	240				0.43
50	5/8"	0.625	192	x	x		0.70
60	3/4"	0.750	160	x	x		1.03
80	1"	1.00	120	x	x		1.79
100	1 1/4"	1.25	96	x			2.68
120	1 1/2"	1.50	80	x			3.98
140	1 3/4"	1.75	68				5.03
160	2"	2.00	60				6.79
180	2 1/2"	2.50	54				9.04
200	2 3/4"	2.75	48				11.08
240	3"	3.00	40				13.48
2040	1"	1.00	120				0.26
2050	1 1/4"	1.25	96				0.42
2060	1 1/2"	1.50	80				0.63
2080	2"	2.00	60	x			1.03
2100	2 1/2"	2.50	48				2.38
2120	3"	3.00	40				3.41
2160	4"	4.00	30				6.02

Inch Chain Nomenclature



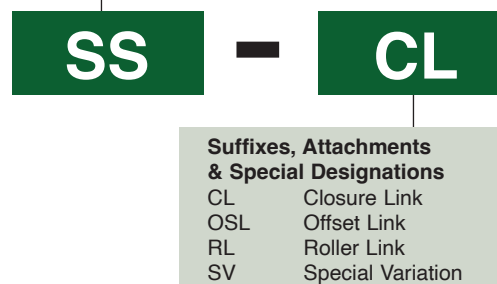
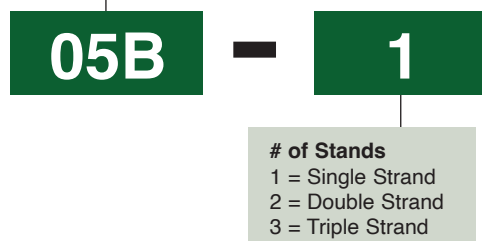
Leaf Chain



British Standard (ISO)

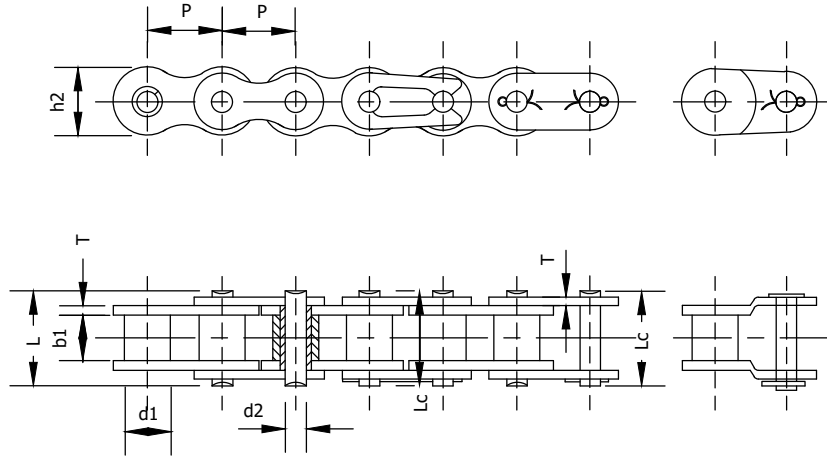
Pitch			
04B	6mm	16B	1 Inch
05B	8mm	20B	1 1/4 Inch
06B	3/8 Inch	24B	1 1/2 Inch
08B	1/2 Inch	28B	1 3/4 Inch
10B	5/8 Inch	32B	2 Inch
12B	3/4 Inch	40B	2 1/2 Inch

Material or Description	
Blank	Steel
NP	Nickel Plated
SS	Stainless Steel 304 Grade
HP	Hollow Pin



ANSI Standard Precision Roller Chain

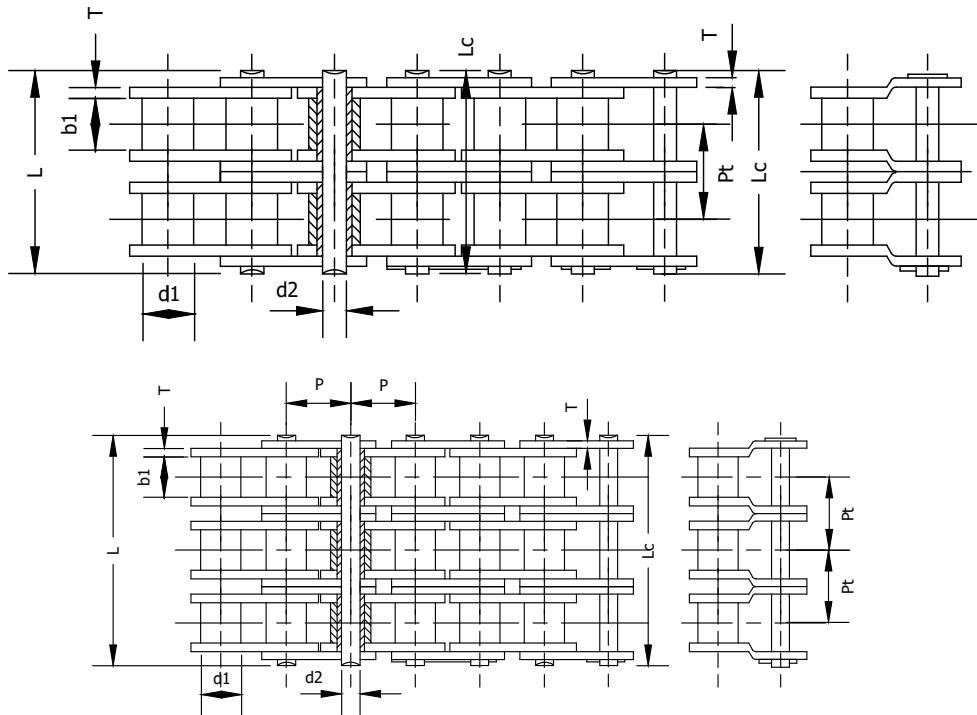
TRITAN Precision Power Transmission Roller Chains are manufactured for high strength and long life and meet or exceed ANSI standard B29.1.



ANSI Chain Number	Pitch P	Roller		Plate		Pin Diam. d2	Overall Width		Transverse Pitch Pt	Average Ultimate Strength (Lbs.)	Average Weight per Foot (Lbs.)
		Diameter	Width	Height	Thickness		L	Lc			
		d1	b1	h2	T						
25-1R	0.250	0.130	0.125	0.236	0.031	0.091	0.311	0.331		1000	0.101
25-2R	0.250	0.130	0.125	0.236	0.031	0.091	0.57	0.59	0.252	1900	0.190
25-3R	0.250	0.130	0.125	0.236	0.031	0.091	0.83	0.85	0.252	2800	0.300
35-1R	0.375	0.200	0.188	0.354	0.051	0.141	0.488	0.519		2400	0.222
35-2R	0.375	0.200	0.188	0.354	0.051	0.141	0.89	0.92	0.399	4400	0.420
35-3R	0.375	0.200	0.188	0.354	0.051	0.141	1.29	1.32	0.399	6400	0.710
41-1R	0.500	0.306	0.246	0.390	0.051	0.141	0.541	0.591		2800	0.276
41-2R	0.500	0.306	0.246	0.390	0.051	0.141	1.01	1.06	0.470	3800	0.540
40-1R	0.500	0.313	0.309	0.472	0.059	0.156	0.654	0.701		3900	0.417
40-2R	0.500	0.313	0.309	0.472	0.059	0.156	1.22	1.27	0.566	8100	0.750
40-3R	0.500	0.313	0.309	0.472	0.059	0.156	1.79	1.83	0.566	11200	1.280
50-1R	0.625	0.400	0.370	0.579	0.080	0.200	0.815	0.874		6600	0.685
50-2R	0.625	0.400	0.370	0.579	0.080	0.200	1.53	1.59	0.713	13100	1.340
50-3R	0.625	0.400	0.370	0.579	0.080	0.200	2.24	2.30	0.713	17500	2.080
60-1R	0.750	0.469	0.495	0.698	0.095	0.234	1.020	1.091		9300	1.008
60-2R	0.750	0.469	0.495	0.698	0.095	0.234	1.92	1.99	0.897	18500	1.960
60-3R	0.750	0.469	0.495	0.698	0.095	0.234	2.81	2.89	0.897	25000	3.050
80-1R	1.000	0.625	0.620	0.935	0.128	0.312	1.287	1.378		15600	1.747
80-2R	1.000	0.625	0.620	0.935	0.128	0.312	2.47	2.53	1.153	32000	3.460
80-3R	1.000	0.625	0.620	0.935	0.128	0.312	3.61	3.69	1.153	45000	5.300

Chart continues on next page

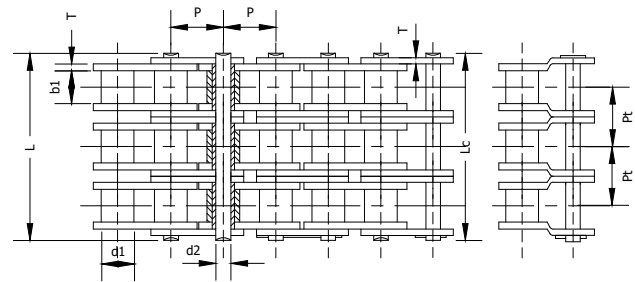
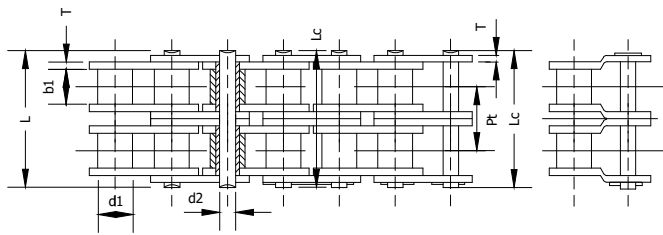
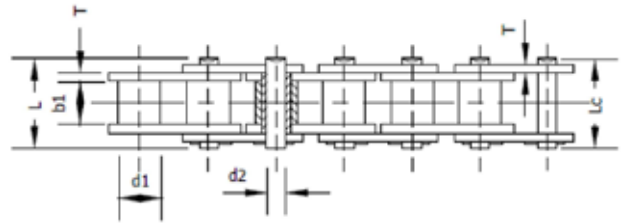
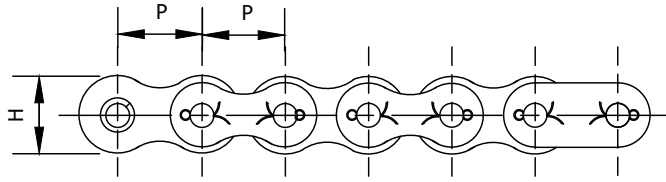
ANSI Standard Precision Roller Chain



ANSI Chain Number	Pitch P	Roller		Plate		Pin Diam. d2	Overall Width		Transverse Pitch Pt	Average Ultimate Strength (Lbs.)	Average Weight per Foot (Lbs.)
		Diameter	Width	Height	Thickness		L	Lc			
		d1	b1	h2	T						
100-1R	1.250	0.750	0.744	1.181	0.157	0.375	1.591	1.760		25000	2.627
100-2R	1.250	0.750	0.744	1.181	0.157	0.375	3.01	3.17	1.408	49000	5.240
100-3R	1.250	0.750	0.744	1.181	0.157	0.375	4.42	4.57	1.408	70000	7.900
120-1R	1.500	0.875	0.993	1.406	0.189	0.437	1.980	2.138		35000	3.777
120-2R	1.500	0.875	0.993	1.406	0.189	0.437	3.77	3.93	1.789	71000	7.860
120-3R	1.500	0.875	0.993	1.406	0.189	0.437	5.57	5.72	1.789	98000	11.800
140-1R	1.750	1.000	0.993	1.614	0.220	0.500	2.142	2.323		48000	5.040
140-2R	1.750	1.000	0.993	1.614	0.220	0.500	4.07	4.25	1.924	96000	10.200
140-3R	1.750	1.000	0.993	1.614	0.220	0.500	5.99	6.17	1.924	133000	14.900
160-1R	2.000	1.125	1.242	1.882	0.252	0.562	2.551	2.740		63000	6.787
160-2R	2.000	1.125	1.242	1.882	0.252	0.562	4.85	5.04	2.305	126000	13.500
160-3R	2.000	1.125	1.242	1.882	0.252	0.562	7.16	7.35	2.305	175000	20.200
180-1R	2.250	1.406	1.397	2.110	0.283	0.687	2.866	3.094		77000	9.038
180-2R	2.250	1.406	1.397	2.110	0.283	0.687	5.46	5.69	2.592	156000	19.600
180-3R	2.250	1.406	1.397	2.110	0.283	0.687	8.05	8.28	2.592	221000	25.700
200-1R	2.500	1.562	1.490	2.362	0.315	0.781	3.161	3.433		97000	10.852
200-2R	2.500	1.562	1.490	2.362	0.315	0.781	5.98	6.25	2.817	197000	21.700
200-3R	2.500	1.562	1.490	2.362	0.315	0.781	8.80	9.07	2.817	274000	32.900
240-1R	3.000	1.875	1.864	2.805	0.374	0.937	3.760	4.055		140000	15.590
240-2R	3.000	1.875	1.864	2.805	0.374	0.937	7.22	7.51	3.458	282000	30.400
240-3R	3.000	1.875	1.864	2.805	0.374	0.937	10.68	10.97	3.458	395000	48.100

ANSI Precision Roller Chain - Cotted

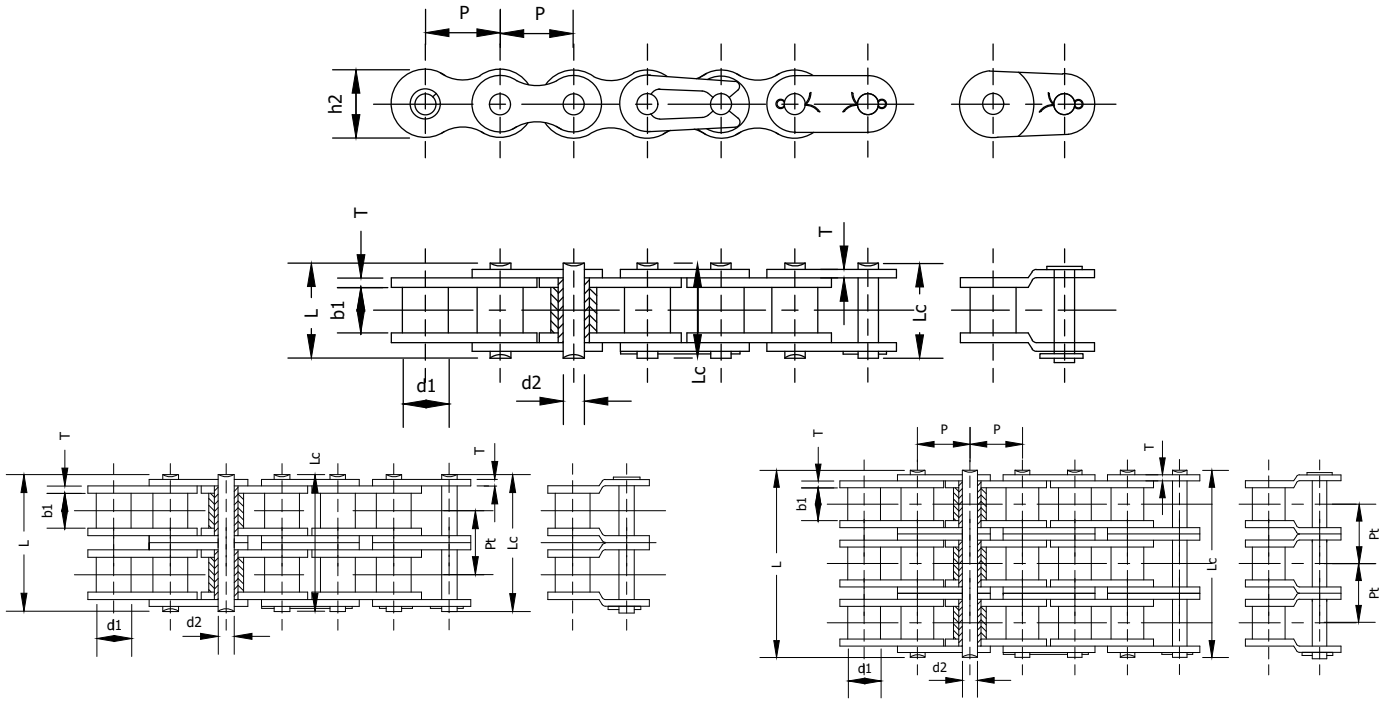
TRITAN Cotted Chain has the same strength and dimensions of standard riveted chain, except that the pin length is slightly longer to allow for the cotter pin. Cotted Roller Chain has the advantage of being much easier to break apart; no need for grinding pin heads. This is ideal for applications where field assembly and disassembly is common.



ANSI Chain Number	Pitch P	Roller		Plate		Pin Diam. d2	Overall Width Lc	Transverse Pitch Pt	Average Ultimate Strength (Lbs.)	Average Weight per Foot (Lbs.)
		Diameter d1	Width b1	Height h2	Thickness T					
50-1C	0.625	0.400	0.370	0.579	0.080	0.200	0.917		6600	0.69
50-2C	0.625	0.400	0.370	0.579	0.080	0.200	1.622	0.713	13100	1.34
60-1C	0.750	0.469	0.495	0.698	0.095	0.234	1.114		9300	1.01
60-2C	0.750	0.469	0.495	0.698	0.095	0.234	2.012	0.897	18500	1.96
80-1C	1.000	0.625	0.620	0.935	0.128	0.312	1.437		15600	1.75
80-2C	1.000	0.625	0.620	0.935	0.128	0.312	2.591	1.153	31900	3.46
80-3C	1.000	0.625	0.620	0.935	0.128	0.312	3.704	1.153	45000	5.30
100-1C	1.250	0.750	0.744	1.181	0.157	0.375	1.760		24500	2.63
100-2C	1.250	0.750	0.744	1.181	0.157	0.375	3.169	1.408	49000	5.24
100-3C	1.250	0.750	0.744	1.181	0.157	0.375	4.504	1.408	70000	7.91
120-1C	1.500	0.875	0.993	1.406	0.189	0.437	2.138		35100	3.78
120-2C	1.500	0.875	0.993	1.406	0.189	0.437	3.925	1.789	71000	7.86
120-3C	1.500	0.875	0.993	1.406	0.189	0.437	5.701	1.789	98000	11.80
140-1C	1.750	1.000	0.993	1.614	0.220	0.500	2.323		48000	5.04
140-2C	1.750	1.000	0.993	1.614	0.220	0.500	4.248	1.924	96000	10.17
160-1C	2.000	1.125	1.242	1.882	0.252	0.562	2.740		63000	6.80
160-2C	2.000	1.125	1.242	1.882	0.252	0.562	5.043	2.305	126000	13.50
180-1C	2.250	1.406	1.397	2.110	0.283	0.687	3.094		77000	9.00
180-2C	2.250	1.406	1.397	2.110	0.283	0.687	5.685	2.592	156000	19.60
200-1C	2.500	1.562	1.490	2.362	0.315	0.781	3.433		97000	10.90
200-2C	2.500	1.562	1.490	2.362	0.315	0.781	6.252	2.817	197000	21.70
240-1C	3.000	1.875	1.864	2.805	0.374	0.937	4.055		140000	15.60
240-2C	3.000	1.875	1.864	2.805	0.374	0.937	7.512	3.458	282000	30.40

ANSI Heavy Series Precision Roller Chain

TRITAN Heavy Series Roller Chains have increased link plate thickness to provide greater capacity without fatigue failure. These link plates have the same thickness as the link plates of ANSI chains having the next larger pitch. The thicker link plates provide greater capacity for absorbing shock loads. These chains are suitable in situations where the load is heavy or operating conditions are severe.



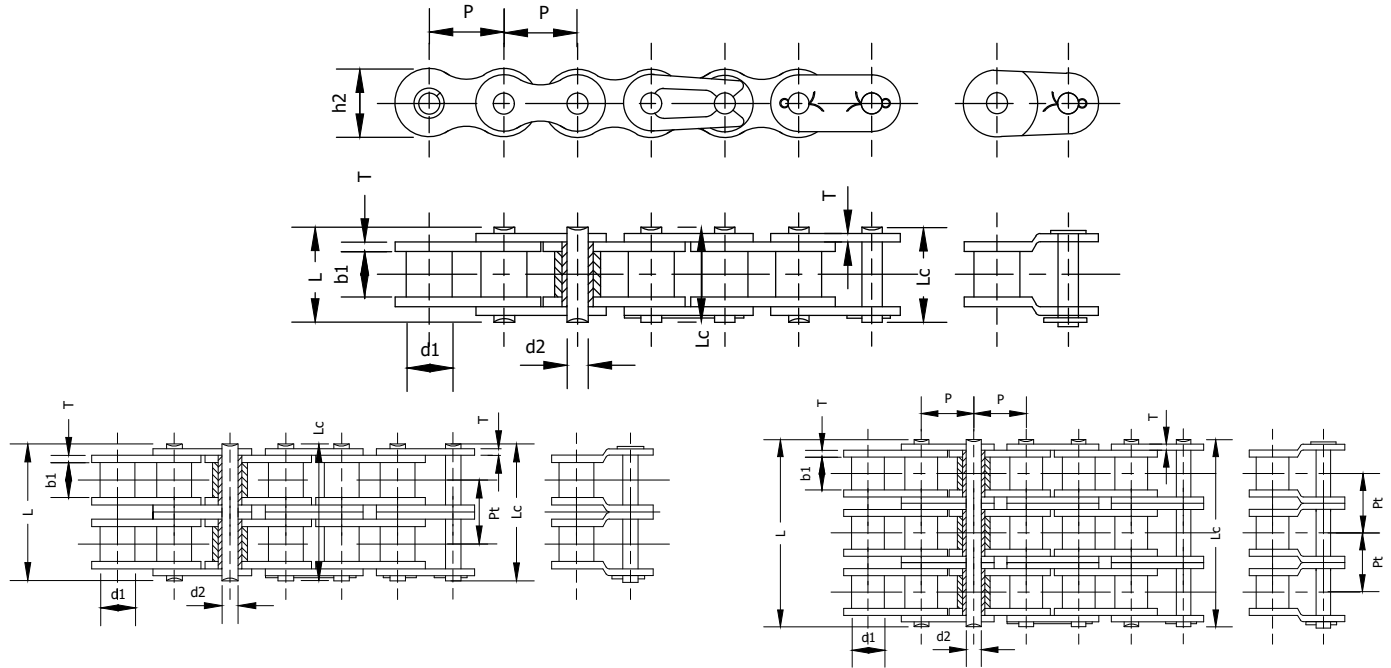
ANSI Chain Number	Pitch P	Roller		Plate		Pin Diam. d2	Overall Width		Transverse Pitch Pt	Average Ultimate Strength (Lbs.)	Average Weight per Foot (Lbs.)
		Diameter	Width	Height	Thickness		L	Lc			
		d1	b1	h2	T						
35-1HR	0.375	0.200	0.188	0.350	0.06	0.141	0.524	0.563	-	2400	0.28
40-1HR	0.500	0.313	0.309	0.470	0.08	0.156	0.740	0.783	-	4300	0.55
50-1HR	0.625	0.400	0.370	0.590	0.10	0.200	0.870	0.921	-	6800	0.84
60-1HR	0.750	0.469	0.495	0.710	0.128	0.234	1.150	1.220	-	9600	1.26
60-2HR	0.750	0.469	0.495	0.710	0.128	0.234	2.177	2.248	1.028	19000	2.49
60-3HR	0.750	0.469	0.495	0.710	0.128	0.234	3.205	3.276	1.028	25600	3.72
80-1HR	1.000	0.625	0.620	0.940	0.157	0.312	1.425	1.484	-	16100	2.08
80-2HR	1.000	0.625	0.620	0.940	0.157	0.312	2.709	2.768	1.283	32700	4.13
80-3HR	1.000	0.625	0.620	0.940	0.157	0.312	3.992	4.051	1.283	46000	6.33
100-1HR	1.250	0.750	0.744	1.180	0.189	0.375	1.717	1.846	-	25300	3.04
100-2HR	1.250	0.750	0.744	1.180	0.189	0.375	3.256	3.386	1.539	51000	6.07
100-3HR	1.250	0.750	0.744	1.181	0.189	0.375	4.795	4.925	1.539	71000	8.71
120-1HR	1.500	0.875	0.993	1.406	0.220	0.437	2.106	2.264	-	36000	4.40
120-2HR	1.500	0.875	0.993	1.406	0.220	0.437	4.031	4.189	1.924	73000	8.82
120-3HR	1.500	0.875	0.993	1.406	0.220	0.437	5.953	6.110	1.924	100000	13.20
140-1HR	1.750	1.000	0.993	1.614	0.252	0.500	2.268	2.449	-	49000	5.60
140-2HR	1.750	1.000	0.993	1.614	0.252	0.500	4.323	4.504	2.055	98000	11.16
140-3HR	1.750	1.000	0.993	1.614	0.252	0.500	6.378	6.559	2.055	135000	16.70
160-1HR	2.000	1.125	1.242	1.882	0.283	0.562	2.685	2.874	-	64000	6.90
160-2HR	2.000	1.125	1.242	1.882	0.283	0.562	5.122	5.311	2.437	129000	13.57
160-3HR	2.000	1.125	1.242	1.882	0.283	0.562	7.559	7.748	2.437	177000	20.20
180-1HR	2.250	1.406	1.397	2.110	0.310	0.687	2.988	3.213	-	77000	10.00

Corrosion/Moisture Resistant Precision Roller Chain

To address the power transmission needs in the food processing and pharmaceutical industries, as well as a wide variety of applications in hostile environments, TRITAN produces corrosion resistant precision roller chain.

Stainless Steel

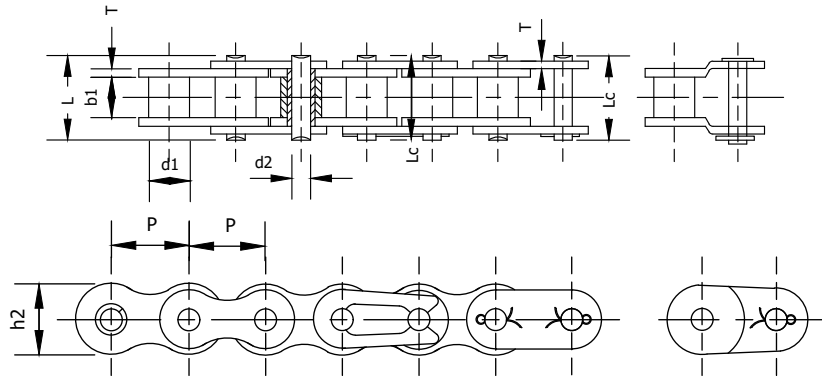
TRITAN Stainless Steel Roller Chains are used in highly corrosive and high temperature environments. Constructed of 300 grade stainless, this chain offers optimal performance in caustic & wash-down applications.



ANSI Chain Number	Pitch P	Roller		Plate		Pin Diam. d2	Overall Width		Transverse Pitch Pt	Average Ultimate Strength (Lbs.)	Average Weight per Foot (Lbs.)
		Diameter	Width	Height	Thickness		L	Lc			
		d1	b1	h2	T						
25-1SS	0.250	0.130	0.125	0.236	0.031	0.091	0.311	0.331		700	0.150
25-2SS	0.250	0.130	0.125	0.236	0.031	0.091	0.57	0.59	0.252	1300	0.190
25-3SS	0.250	0.130	0.125	0.236	0.031	0.091	0.83	0.85	0.252	2000	0.300
35-1SS	0.375	0.200	0.188	0.354	0.051	0.141	0.488	0.519		1500	0.230
35-2SS	0.375	0.200	0.188	0.354	0.051	0.141	0.89	0.92	0.399	3100	0.420
35-3SS	0.375	0.200	0.188	0.354	0.051	0.141	1.29	1.32	0.399	4500	0.710
41-1SS	0.500	0.306	0.246	0.390	0.051	0.141	0.541	0.591		1700	0.310
41-2SS	0.500	0.306	0.246	0.390	0.051	0.141	1.01	1.06	0.470	2700	0.540
40-1SS	0.500	0.313	0.309	0.472	0.059	0.156	0.654	0.701		2700	0.400
40-2SS	0.500	0.313	0.309	0.472	0.059	0.156	1.22	1.27	0.566	5700	0.750
40-3SS	0.500	0.313	0.309	0.472	0.059	0.156	1.79	1.83	0.566	7800	1.280
50-1SS	0.625	0.400	0.370	0.579	0.080	0.200	0.815	0.874		4300	0.660
50-2SS	0.625	0.400	0.370	0.579	0.080	0.200	1.53	1.59	0.713	9200	1.340
50-3SS	0.625	0.400	0.370	0.579	0.080	0.200	2.24	2.30	0.713	12300	2.080
60-1SS	0.750	0.469	0.495	0.698	0.095	0.234	1.020	1.091		6000	0.980
60-2SS	0.750	0.469	0.495	0.698	0.095	0.234	1.92	1.99	0.897	13000	1.960
60-3SS	0.750	0.469	0.495	0.698	0.095	0.234	2.81	2.89	0.897	17500	3.050
80-1SS	1.000	0.625	0.620	0.935	0.128	0.312	1.287	1.378		11000	1.690
80-2SS	1.000	0.625	0.620	0.935	0.128	0.312	2.47	2.53	1.153	22400	3.460
80-3SS	1.000	0.625	0.620	0.935	0.128	0.312	3.61	3.69	1.153	31500	5.300
100-1SS	1.250	0.750	0.744	1.181	0.157	0.375	1.591	1.760		17000	2.630
100-2SS	1.250	0.750	0.744	1.181	0.157	0.375	3.01	3.17	1.408	34300	5.240
100-3SS	1.250	0.750	0.744	1.181	0.157	0.375	4.42	4.57	1.408	49000	7.900

DR Series - Dacromet Coated Chain

TRITAN Dacromet Coated Roller Chain is the perfect choice where corrosion resistance and high strength is needed. Designed to provide maximum resistance to harsh environments, including salt water, fertilizer, and chemical wash-down, that is far superior to nickel plated chain, while maintaining the strength and durability of carbon steel chain. Dacromet Chain is ideal for corrosion prone applications such as car wash, packaging, wash down, and other outdoor service. It not recommended in applications where chain may come into contact with food; Stainless Steel Chain is recommended if food contact is possible for maximum corrosion resistance.



ANSI Chain Number	Pitch P	Roller		Plate		Pin Diam. d2	Overall Width		Average Ultimate Strength (Lbs.)	Average Weight per Foot (Lbs.)
		Diameter	Width	Height	Thickness		L	Lc		
		d1	b1	h2	T					
25-1DR	0.250	0.130	0.125	0.236	0.031	0.091	0.311	0.331	1000	.101
35-1DR	0.375	0.200	0.188	0.354	0.051	0.141	0.488	0.519	2400	0.222
41-1DR	0.500	0.306	0.246	0.390	0.051	0.141	0.541	0.591	2800	0.276
40-1DR	0.500	0.313	0.309	0.472	0.059	0.156	0.654	0.701	3900	0.417
50-1DR	0.625	0.400	0.370	0.579	0.080	0.200	0.815	0.874	6600	0.685
60-1DR	0.750	0.469	0.495	0.698	0.095	0.234	1.020	1.091	9300	1.008
80-1DR	1.000	0.625	0.620	0.935	0.128	0.312	1.287	1.378	15600	1.747
100-1DR	1.250	0.750	0.744	1.181	0.157	0.375	1.591	1.760	25000	2.627
120-1DR	1.500	0.875	0.993	1.406	0.189	0.437	1.980	2.138	35000	3.777
140-1DR	1.750	1.000	0.993	1.614	0.220	0.500	2.142	2.323	48000	5.040
160-1DR	2.000	1.125	1.242	1.882	0.252	0.562	2.551	2.740	63000	6.787

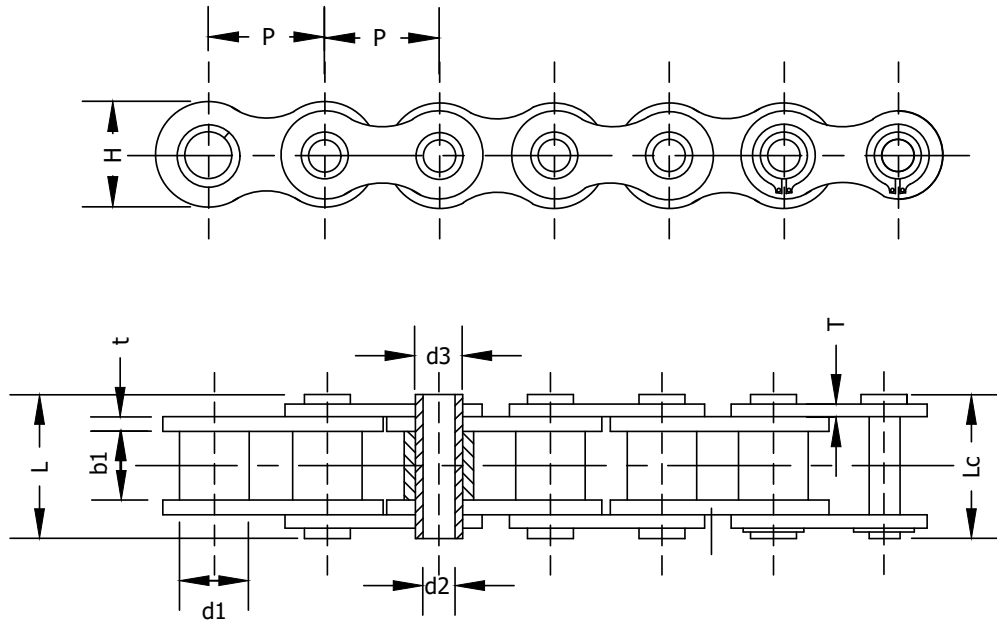
NP Series - Nickel Plated Chain

TRITAN Nickel Plated Roller Chain provides an economic, high strength solution in mildly corrosive environments. While maintaining the strength of standard carbon steel roller chain, the nickel plating will improve overall life in a wide variety of applications such as food processing equipment, textile machines, business machines, and printing machines.

ANSI Chain Number	Pitch P	Roller		Plate		Pin Diam. d2	Overall Width		Average Ultimate Strength (Lbs.)	Average Weight per Foot (Lbs.)
		Diameter	Width	Height	Thickness		L	Lc		
		d1	b1	h2	T					
25-1NP	0.250	0.130	0.125	0.236	0.031	0.091	0.311	0.331	1000	.101
35-1NP	0.375	0.200	0.188	0.354	0.051	0.141	0.488	0.519	2400	0.222
41-1NP	0.500	0.306	0.246	0.390	0.051	0.141	0.541	0.591	2800	0.276
40-1NP	0.500	0.313	0.309	0.472	0.059	0.156	0.654	0.701	3900	0.417
50-1NP	0.625	0.400	0.370	0.579	0.080	0.200	0.815	0.874	6600	0.685
60-1NP	0.750	0.469	0.495	0.698	0.095	0.234	1.020	1.091	9300	1.008
80-1NP	1.000	0.625	0.620	0.935	0.128	0.312	1.287	1.378	15600	1.747
100-1NP	1.250	0.750	0.744	1.181	0.157	0.375	1.591	1.760	25000	2.627
120-1NP	1.500	0.875	0.993	1.406	0.189	0.437	1.980	2.138	35000	3.777
140-1NP	1.750	1.000	0.993	1.614	0.220	0.500	2.142	2.323	48000	5.040
160-1NP	2.000	1.125	1.242	1.882	0.252	0.562	2.551	2.740	63000	6.787

Hollow Pin Precision Roller Chain

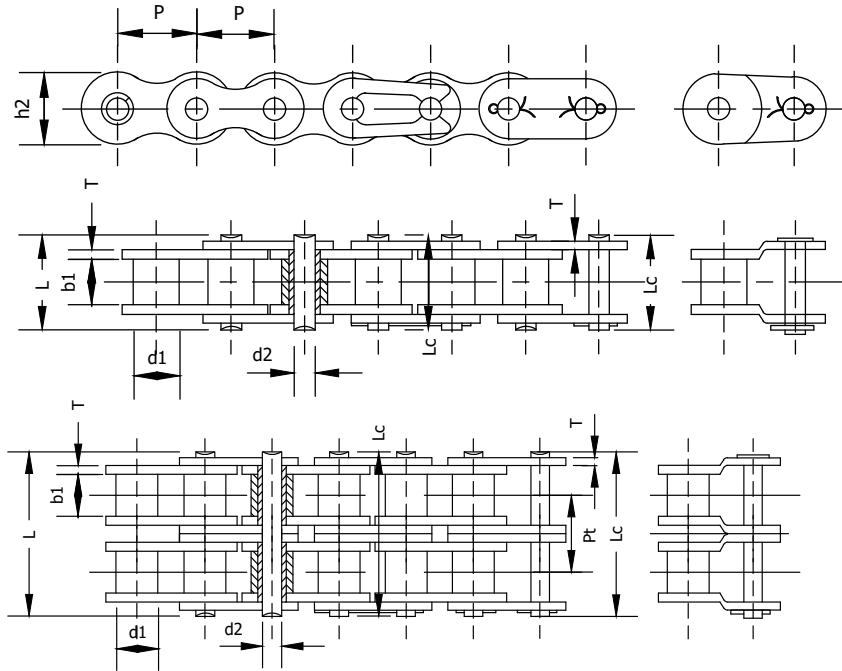
Hollow Pin Chain is identical to ANSI roller chain running on standard ANSI sprockets but with a hollow pin. The unique “hollow” pin feature provides for conveyor versatility, allowing easy insertion of cross rods or attachments at desired spacing.



ANSI Chain Number	Pitch P	Roller		Plate		Pin Diam.		Overall Width		Average Ultimate Strength (Lbs.)	Average Weight per Foot (Lbs.)
		Diameter	Width	Height	Thickness	d2	d3	L	Lc		
		d1	b1	h2	T						
40-1HP	0.500	0.313	0.309	0.47	0.059	.22	.16	0.654	0.693	2470	0.363
50-1HP	0.625	0.400	0.370	0.59	0.080	0.28	0.2	0.815	0.862	4500	0.611
60-1HP	0.750	0.469	0.495	0.71	0.095	0.33	0.24	1.020	1.055	5400	0.867
80-1HP	1.000	0.625	0.620	0.94	0.128	.45	.32	1.287	1.331	11200	1.519

British Standard Chain (BS/ISO)

TRITAN British Standard Chain is manufactured to the same high quality specifications as our ANSI chain. Solid bushings and solid rollers dramatically increase chain life. Manufactured in accordance with ISO R606, British standard chains are compatible with British standard BS 228 and German standard DIN 8187.



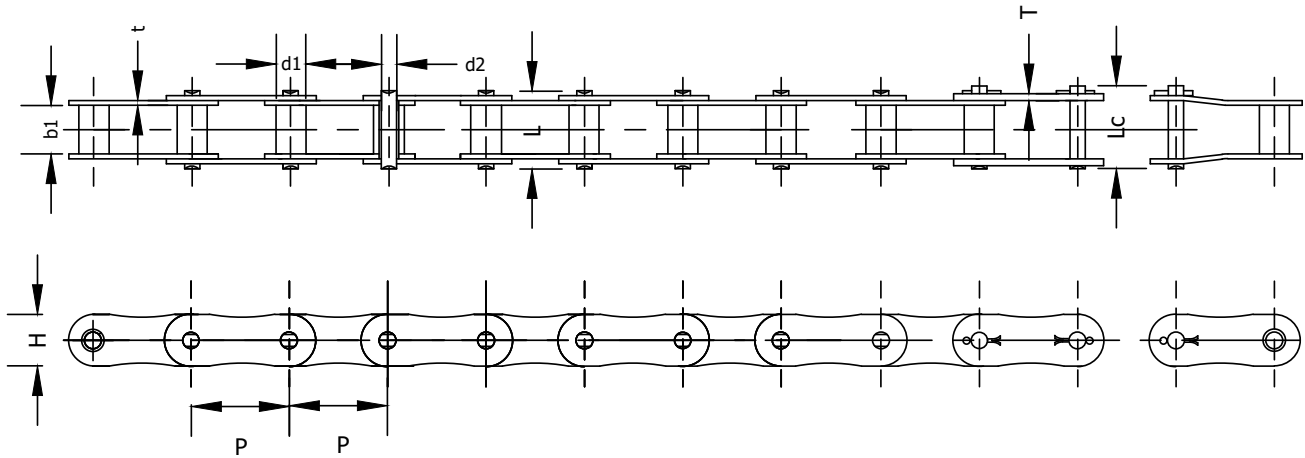
BS/ISO Chain Number	Pitch	Roller Diameter	Width Between Inner Plates	Inner Plate Depth	Plate Thickness	Pin Diam.	Pin Length		Transverse Pitch	Average Ultimate Strength (Lbs.)	Average Weight per Foot (Lbs.)
	P						d1 in.	b1 in.			
04B-1R	6mm	4mm	0.110	0.197	0.024	0.073	0.268	0.307		700	.08
05B-1R	8mm	5mm	0.118	0.28	0.031	0.091	0.323	0.35		1300	.11
05B-2R	8mm	5mm	0.118	0.28	0.031	0.091	0.547	0.571	0.222	2293	0.33
06B-1R	0.378	0.25	0.225	0.323	0.051	0.129	0.518	0.555		2300	0.30
06B-2R	0.378	0.25	0.225	0.323	0.051	0.129	0.921	0.961	0.403	4204	0.77
08B-1R	0.500	0.335	0.305	0.465	0.063	0.175	0.657	0.717		4400	0.45
08B-2R	0.500	0.335	0.305	0.465	0.063	0.175	1.228	1.268	0.548	8700	1.34
10B-1R	0.625	0.40	0.380	0.579	0.067	0.2	0.768	0.823		6200	0.65
10B-2R	0.625	0.40	0.380	0.579	0.067	0.2	1.421	1.476	0.653	12634	1.84
12B-1R	0.750	0.475	0.460	0.63	0.073	0.225	0.886	0.953		7200	0.87
12B-2R	0.750	0.475	0.460	0.63	0.073	0.225	1.654	1.717	0.766	14859	2.31
16B-1R	1.000	0.625	0.670	0.827	0.16/0.12	0.326	1.421	1.472		16400	1.81
16B-2R	1.000	0.625	0.670	0.827	0.16/0.12	0.326	2.677	2.728	1.255	29898	5.42
20B-1R	1.250	0.75	0.770	1.039	0.18/0.14	0.401	1.626	1.772		24000	2.45
20B-2R	1.250	0.75	0.770	1.039	0.18/0.14	0.401	3.063	3.209	1.435	47478	7.20
24B-1R	1.500	1.00	1.00	1.307	0.24/0.19	0.576	2.102	2.276		40000	4.70
24B-2R	1.500	1.00	1.00	1.307	0.24/0.19	0.576	4.004	4.181	1.904	71756	13.40
28B-1R	1.750	1.10	1.220	1.445	0.30/0.24	0.626	2.563	2.736		50000	6.35
28B-2R	1.750	1.10	1.220	1.445	0.30/0.24	0.626	4.906	5.083	2.345	91449	16.60
32B-1R	2.000	1.15	1.220	1.654	0.28/0.24	0.701	2.598	2.795		62000	6.89
32B-2R	2.000	1.15	1.220	1.654	0.28/0.24	0.701	4.906	5.102	2.305	114311	21.00

Double Pitch Roller Chain

TRITAN Double-Pitch Roller Chain is similar to standard roller chain, except the pitch is twice that of standard roller chain. These chains weigh less and are lower in cost than standard roller chain of the same strength. They are ideal for slow and moderate speed applications, particularly when shaft centers are relatively long, such as material handling equipment, road building machinery, textile machinery, farming implements, baking, packaging, and bottling equipment.

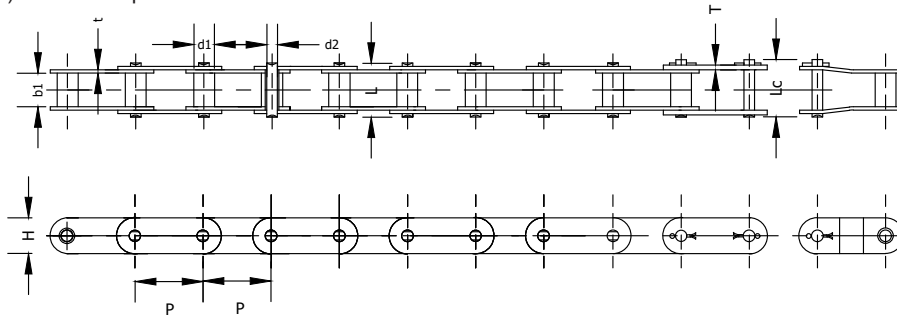
Drive/Transmission Series

These chains, produced to ASME/ANSI B29.3, have figure-eight style link plates, and are similar in dimensions with the exception of the pitch. The increase in pitch means that only half the number of component parts are required per foot which can significantly lower the cost. Typical uses for these types of chains include light load drives commonly found in agriculture.



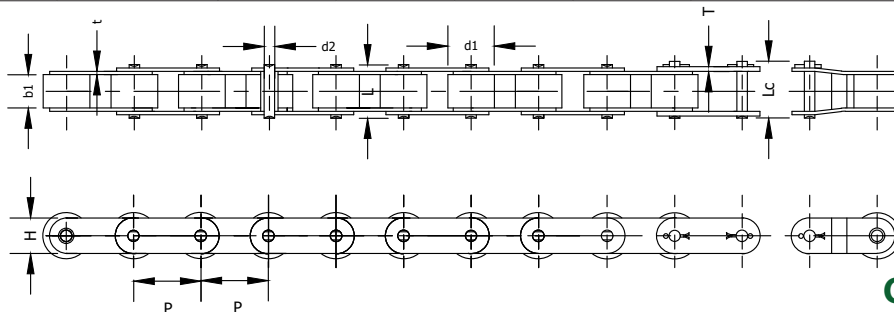
ANSI Chain Number	Pitch P	Roller		Plate		Pin Diam. d2	Overall Width		Average Ultimate Strength (Lbs.)	Average Weight per Foot (Lbs.)
		Diameter	Width	Height	Thickness		L	Lc		
		d1	b1	h2	T					
A2040	1.000	0.313	0.309	0.47	0.059	0.156	0.654	0.701	3800	0.282
A2050	1.250	0.400	0.370	0.59	0.080	0.200	0.815	0.874	6300	0.491
A2060	1.500	0.469	0.495	0.71	0.095	0.234	1.020	1.091	8300	0.685
A2080	2.000	0.625	0.620	0.94	0.128	0.312	1.287	1.437	14800	1.142
A2080H	2.000	0.625	0.620	0.94	0.157	0.312	1.425	1.551	15700	1.458
A2100	3.500	0.750	0.744	1.18	0.157	0.375	1.591	1.760	24000	1.714
A2120	3.000	0.875	0.993	1.41	0.189	0.437	1.980	2.138	40000	2.728

TRITAN Conveyor Chain is similar to the Double-Pitch Drive/Transmission chain, but with link plates that have a flat side and oval contour (not figure-eight) and are produced with either standard or over-sized carrier rollers.



Standard Roller

ANSI Chain Number	Pitch P	Roller		Plate		Pin Diam. d2	Overall Width		Average Ultimate Strength (Lbs.)	Average Weight per Foot (Lbs.)
		Diameter d1	Width b1	Height h2	Thickness T		L	Lc		
		C2040	1.00	0.313	0.309		0.470	0.059		
C2040H	1.00	0.313	0.309	0.470	0.080	0.156	0.740	0.783	3900	0.437
C2050	1.25	0.400	0.370	0.590	0.080	0.200	0.815	0.874	6300	0.524
C2060	1.50	0.469	0.495	0.710	0.095	0.234	1.020	1.091	8300	0.753
C2060H	1.50	0.469	0.495	0.710	0.128	0.234	1.150	1.244	9400	0.968
C2062H	1.50	0.875	0.495	0.710	0.128	0.234	1.150	1.244	9400	1.391
C2080	2.00	0.625	0.620	0.940	0.128	0.312	1.287	1.437	15000	1.398
C2080H	2.00	0.625	0.620	0.940	0.157	0.312	1.425	1.551	16000	1.707
C2100	2.50	0.750	0.744	1.180	0.157	0.375	1.591	1.760	23000	2.023
C2100H	2.50	0.750	0.744	1.180	0.189	0.375	1.717	1.846	25000	2.392
C2120	3.00	0.875	0.993	1.406	0.189	0.437	1.980	2.138	33000	3.091
C2120H	3.00	0.875	0.993	1.406	0.220	0.734	2.106	2.264	36000	3.535
C2160	4.00	1.125	1.250	1.882	0.252	0.562	2.551	2.740	63000	5.477
C2160H	4.00	1.125	1.250	1.882	0.283	0.562	2.685	2.874	64000	6.088

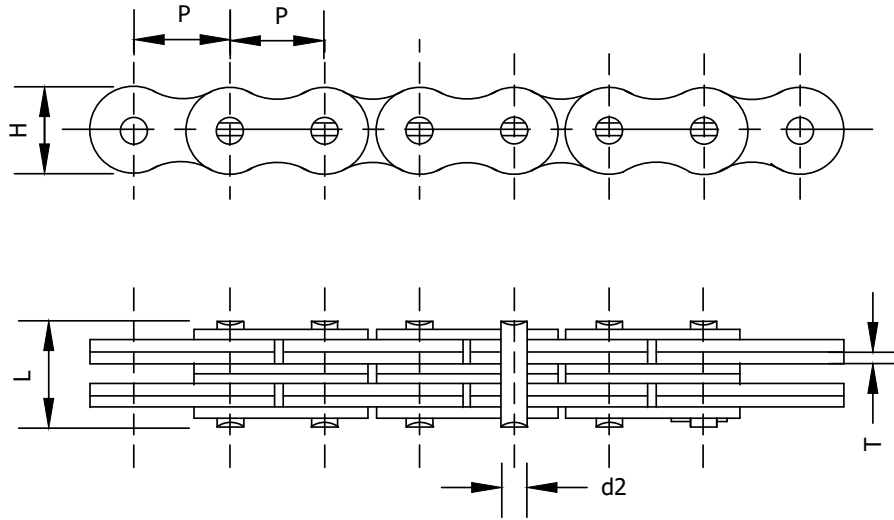


Oversized (Carrier) Roller

ANSI Chain Number	Pitch P	Roller		Plate		Pin Diam. d2	Overall Width		Average Ultimate Strength (Lbs.)	Average Weight per Foot (Lbs.)
		Diameter d1	Width b1	Height h2	Thickness T		L	Lc		
		C2042	1.00	0.625	0.309		0.470	0.059		
C2052	1.25	0.750	0.370	0.590	0.080	0.200	0.815	0.874	6300	0.853
C2062	1.50	0.875	0.495	0.710	0.095	0.234	1.020	1.091	8300	1.082
C2082	2.00	1.125	0.620	0.940	0.128	0.312	1.287	1.437	15000	2.067
C2082H	2.00	1.125	0.620	0.940	0.157	0.312	1.425	1.551	16000	2.406
C2102	2.50	1.562	0.744	1.180	0.157	0.375	1.591	1.760	23000	3.246
C2102H	2.50	1.562	0.744	1.180	0.189	0.375	1.717	1.846	25000	3.615
C2122	3.00	1.750	0.993	1.406	0.189	0.437	1.980	2.138	33000	5.107
C2122H	3.00	1.750	0.993	1.406	0.220	0.437	2.106	2.264	36000	5.551
C2162	4.00	2.250	1.250	1.882	0.252	0.562	2.551	2.740	63000	8.736
C2162H	4.00	2.250	1.250	1.882	0.283	0.562	2.685	2.874	64000	8.581

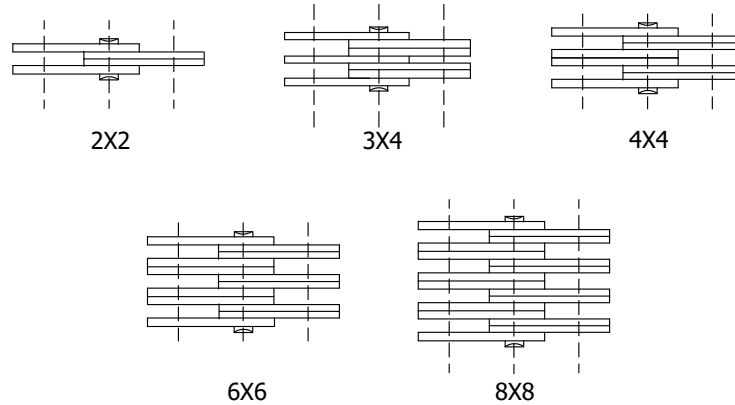
Leaf Chain

TRITAN Leaf Chains are built of interlaced plates held together by rivet pins. They are used for applications that require strong flexible linkage for suspension, counterweight, and/or transmission at low speed. The first number or numbers in leaf chain identifies the chain pitch, the last two numbers identify the chain's lacing.



ANSI Chain Number	Pitch	Plate Lacing	Plate Depth	Pin Diameter	Pin Length	Plate Thickness	Ultimate Tensile Strength	Average Tensile Strength	Weight per Foot
	P inch		h2 max inch	d2 max inch	L max inch	T max inch	Q min lb	Qo lb	q lb/ft
BL422	0.500	2 X 2	0.475	0.200	0.440	0.082	4991	6205	0.43
BL423	0.500	2 X 3	0.475	0.200	0.518	0.082	4991	6205	0.54
BL434	0.500	3 X 4	0.475	0.200	0.685	0.082	7509	9307	0.75
BL444	0.500	4 X 4	0.475	0.200	0.768	0.082	10004	12589	0.86
BL446	0.500	4 X 6	0.475	0.200	0.935	0.082	10004	12589	1.08
BL466	0.500	6 X 6	0.475	0.200	1.102	0.082	14995	18367	1.29
BL488	0.500	8 X 8	0.475	0.200	1.435	0.082	20008	24594	1.72
BL522	0.625	2 X 2	0.594	0.235	0.508	0.096	7509	9689	0.59
BL523	0.625	2 X 3	0.594	0.235	0.605	0.096	7509	9689	0.74
BL534	0.625	3 X 4	0.594	0.235	0.800	0.096	10993	14748	1.01
BL544	0.625	4 X 4	0.594	0.235	0.897	0.096	14995	18996	1.21
BL546	0.625	4 X 6	0.594	0.235	1.092	0.096	14995	18996	1.48
BL566	0.625	6 X 6	0.594	0.235	1.287	0.096	22503	28124	1.78
BL588	0.625	8 X 8	0.594	0.235	1.676	0.096	29990	38105	2.35
BL622	0.750	2 X 2	0.713	0.313	0.684	0.130	10993	14298	0.97
BL623	0.750	2 X 3	0.713	0.313	0.816	0.130	10993	14298	1.21
BL634	0.750	3 X 4	0.713	0.313	1.080	0.130	16996	23110	1.68
BL644	0.750	4 X 4	0.713	0.313	1.212	0.130	22009	27180	1.95
BL646	0.750	4 X 6	0.713	0.313	1.476	0.130	22009	27180	2.42
BL666	0.750	6 X 6	0.713	0.313	1.740	0.130	33002	42894	2.89
BL688	0.750	8 X 8	0.713	0.313	2.268	0.130	43995	53685	3.90
BL822	1.000	2 X 2	0.950	0.376	0.840	0.161	18996	24324	1.48
BL823	1.000	2 X 3	0.950	0.376	1.003	0.161	18996	24324	1.81
BL834	1.000	3 X 4	0.950	0.376	1.329	0.161	29000	38218	2.55
BL844	1.000	4 X 4	0.950	0.376	1.492	0.161	37993	48244	2.89
BL846	1.000	4 X 6	0.950	0.376	1.818	0.161	37993	48244	3.63
BL866	1.000	6 X 6	0.950	0.376	2.144	0.161	57012	72951	4.37
BL888	1.000	8 X 8	0.950	0.376	2.796	0.161	76008	97275	5.78

Chart continues on next page



ANSI Chain Number	Pitch	Plate Lacing	Plate Depth	Pin Diameter	Pin Length	Plate Thickness	Ultimate Tensile Strength	Average Tensile Strength	Weight per Foot
	P inch		h2 max inch	d2 max inch	L max inch	T max inch	Q min lb	Qo lb	q lb/ft
BL1022	1.250	2 X 2	1.188	0.437	0.999	0.193	25988	33901	2.28
BL1023	1.250	2 X 3	1.188	0.437	1.194	0.193	25988	33901	2.89
BL1034	1.250	3 X 4	1.188	0.437	1.584	0.193	41005	52066	4.03
BL1044	1.250	4 X 4	1.188	0.437	1.779	0.193	51999	65510	4.64
BL1046	1.250	4 X 6	1.188	0.437	2.169	0.193	51999	65510	5.78
BL1066	1.250	6 X 6	1.188	0.437	2.559	0.193	78009	96736	6.92
BL1088	1.250	8 X 8	1.188	0.437	3.339	0.193	103997	124792	9.72
BL1222	1.500	2 X 2	1.425	0.500	1.166	0.227	33991	43164	3.09
BL1223	1.500	2 X 3	1.425	0.500	1.395	0.227	33991	43164	3.95
BL1234	1.500	3 X 4	1.425	0.500	1.853	0.227	54989	71017	5.44
BL1244	1.500	4 X 4	1.425	0.500	2.082	0.227	68005	85675	6.25
BL1246	1.500	4 X 6	1.425	0.500	2.540	0.227	68005	85675	7.79
BL1266	1.500	6 X 6	1.425	0.500	2.998	0.227	101996	122207	9.34
BL1288	1.500	8 X 8	1.425	0.500	3.914	0.227	136010	163212	12.50
BL1422	1.750	2 X 2	1.663	0.563	1.321	0.258	43006	50740	4.10
BL1423	1.750	2 X 3	1.663	0.563	1.581	0.258	43006	50740	5.11
BL1434	1.750	3 X 4	1.663	0.563	2.101	0.258	70995	83764	7.12
BL1444	1.750	4 X 4	1.663	0.563	2.361	0.258	86012	101434	8.20
BL1446	1.750	4 X 6	1.663	0.563	2.881	0.258	86012	101434	10.21
BL1466	1.750	6 X 6	1.663	0.563	3.401	0.258	130008	153410	12.23
BL1488	1.750	8 X 8	1.663	0.563	4.441	0.258	172002	202958	16.33
BL1622	2.000	2 X 2	1.900	0.687	1.536	0.296	64993	76683	5.38
BL1623	2.000	2 X 3	1.900	0.687	1.834	0.296	64993	76683	6.72
BL1634	2.000	3 X 4	1.900	0.687	2.430	0.296	99006	116811	9.41
BL1644	2.000	4 X 4	1.900	0.687	2.728	0.296	128996	152961	10.75
BL1646	2.000	4 X 6	1.900	0.687	3.324	0.296	130008	152961	13.44
BL1666	2.000	6 X 6	1.900	0.687	3.920	0.296	192752	224967	16.13
BL1688	2.000	8 X 8	1.900	0.687	5.112	0.296	259993	306776	21.50
BL2022	2.500	2 X 2	2.375	0.937	2.037	0.390	97500	115035	10.62
BL2023	2.500	2 X 3	2.375	0.937	2.429	0.390	97500	115035	13.31
BL2034	2.500	3 X 4	2.375	0.937	3.213	0.390	145992	172249	18.61
BL2044	2.500	4 X 4	2.375	0.937	3.605	0.390	195000	230093	21.23
BL2046	2.500	4 X 6	2.375	0.937	4.389	0.390	195000	230093	26.54
BL2066	2.500	6 X 6	2.375	0.937	5.173	0.390	292500	345128	31.85
BL2088	2.500	8 X 8	2.375	0.937	6.741	0.390	390000	460074	42.47

Precision Roller Chain Sprockets

All TRITAN Sprockets are manufactured to ANSI B29.1 and BIS Standards using the highest quality control procedures. They are constructed of solid, high quality carbon steel and are supplied with a black oxide finish. TRITAN Sprockets can also be supplied in 304 Stainless Steel.

Hardened Teeth

Depending on pitch & diameter, small pitch sprockets with up to 20 to 40 teeth are produced with hardened teeth (45-50 HRC), as standard. Hardened teeth provide for greater chain & sprocket life. Sprockets with hardened teeth are identified in dimensional tables with the suffix H.

Hub Types

Sprockets are supplied in several different hub types, each designed for specific needs. The following are the basic & most common type.

A-Type

A-Type sprockets have no hub and are often referred to as "Plate Sprockets". They are typically supplied with a plain bore (no keyway or set screws) and must be mounted on a flange or hub, or other holding device.

B-Type

B-Type sprockets have a hub extending on one side only. This type of hub is typically found on small & medium sized sprockets, and can be supplied with a plain bore, or with a keyway and set screws. B-Type sprockets delivered with keyway & set screws are also referred to as BS type sprockets indicating "Bored to Size".

C-Type

C-Type sprockets have centrally located hubs that extend in equal distance on both sides. These are common on large diameter sprockets. As with B-type they can be supplied with a plain bore, but are commonly supplied with a key way & set screws.

C Offset - Type

These are the same as C-Type sprockets except that the hubs on each side extend at different distances causing the wheel to be off center.

Hub Dimensions

Hub sizes will vary with bore size and pitch. Specific hub dimensions can be found in sprocket dimensional tables. Hubs for sprockets with a low # of teeth will have a recessed groove for chain clearance. Refer to dimensional tables for specific sizes & groove dimensions.

Keyways & Set Screws

A single Keyway and 2 Setscrews are furnished as standard on finished bore (also referred to as bored-to size) BS & CS type sprockets, unless otherwise specified. Setscrews are placed over the keyway and at 90 degrees to the keyway, and are supplied with locking tape. Standard Keyways are located on the center of tooth. Variations from this arrangement can be supplied upon request. When keyway & set screw dimensions are not specified, they are supplied in accordance with the "Standard Keyway & Set Screw Table" (see Inch and Metric tables on next page).

Boring & Bore Tolerances

TRITAN sprockets are most commonly supplied with finished bores, but can also be supplied with a Minimum-Plain-Bore (MPB) for customers who desire to do their own machining. Customers ordering Hub Type (B- & C-Type) sprockets who desire a plain bore should specify this when ordering.

Tolerances for Sprocket Bores	
1" and under	-0 / +.001"
Over 1" to 2"	-0/ +.002"
Over 2" to 3"	-0/ +.003"
Over 3" to 4"	-0/ +.004"
Over 4"	-0/ +.005"

Abbreviations	
A	Plate Type Sprocket
B	Hub Type Sprocket
BS	Hub Type Sprocket with Finished Bore
BTL	Tapered Bushing Style Sprocket
C	Hub Type Sprocket (hubs on both sides)
D	Double Sprocket
DS	Double Single Sprocket
MM	Millimeters
MPB	Minimum Plain Bore (no Keyway or Set Screws)

Sprockets

Type

A	Plate
B	Single Hub
C	Double Hub
BS	Single Hub - Bore to Size
BTL	Tapered Bushing Style
SDS	QD Type Bushing Style (E, F, H, J, JA, SD, SDS, SF, SH, SK)

Suffix 2

MPB	Unfinished (plain) Bore
SV	Special Variation # indicates Variation #
KW	Key Way Specifies Special Key Way. Preceded by KW dimensions
SS	Set Screws Indicates Special Set Screws. Preceded by SS dimensions

Prefix

No Prefix	Single
D	Double
DS	Double Single
T	Triple

Suffix

H	Hardened Teeth
---	----------------



Pitch

25	1/4 Inch	100	1 1/4 Inch
35	3/8 Inch	120	1 1/2 Inch
40	1/2 Inch	140	1 3/4 Inch
41	1/2 Inch	160	2 Inch
50	5/8 Inch	180	2 1/4 Inch
60	3/4 Inch	200	2 1/2 Inch
80	1 Inch	240	3 Inch
2040	1 Inch	2080	2 Inch
2050	1 1/4 Inch	2100	2 1/2 Inch
2060	1 1/2 Inch	2120	3 Inch

of Teeth

Bore Size

Standard Keyways & Set Screws

Inch

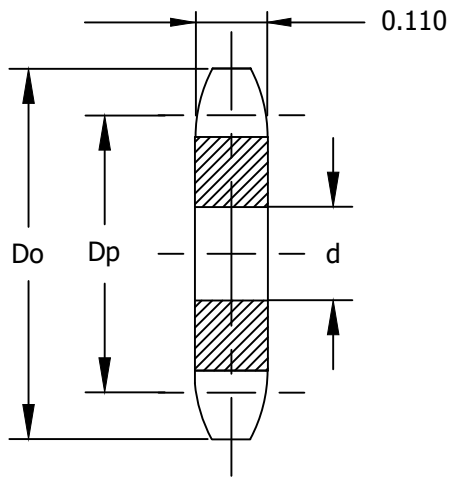
Bore	Keyway Width	Set Screw
1/2"	None	10-24
9/16"	1/8"	10-24
5/8" to 7/8"	3/16"	1/4 - 20
15/16" to 1 1/4"	1/4"	5/16 - 18
1 5/16" to 1 3/8"	5/16"	5/16 - 18
1 7/16" to 1 3/4"	3/8"	3/8 - 16
1 13/16" to 2 1/4"	1/2"	1/2 - 13
2 5/16" to 2 3/4"	5/8"	5/8 - 11
2 13/16" to 2 15/16"	3/4"	5/8 - 11

Metric

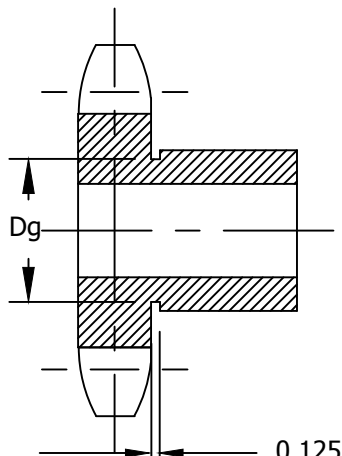
Bore	Keyway Width	Set Screw
5mm to 8mm	2mm	M4
9mm to 10mm	3mm	M4
11mm to 12mm	4mm	M4
13mm to 17mm	5mm	M5
18mm to 22mm	6mm	M6
23mm to 30mm	8mm	M8
31mm to 38mm	10mm	M10
39mm to 40mm	12mm	M10
45mm to 50mm	14mm	M10
51mm to 58mm	16mm	M10
59mm to 65mm	18mm	M10
66mm to 75mm	20mm	M11

25 Sprocket

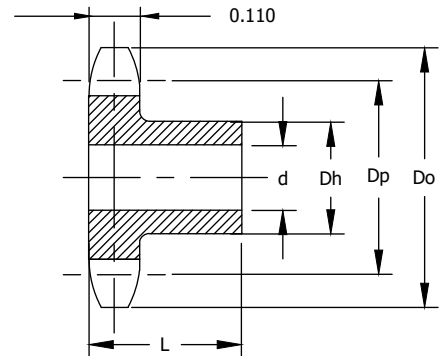
1/4" Pitch



Type A



Type B



* Indicates has recessed groove in hub for chain clearance.
Groove diameter Dg is indicated below:

Part #	Dg (in.)
25B09H	0.413
25B10H	0.492
25B11H	0.571
25B12H	0.650
25B13H	0.728

Single - Type B (Hub Type)

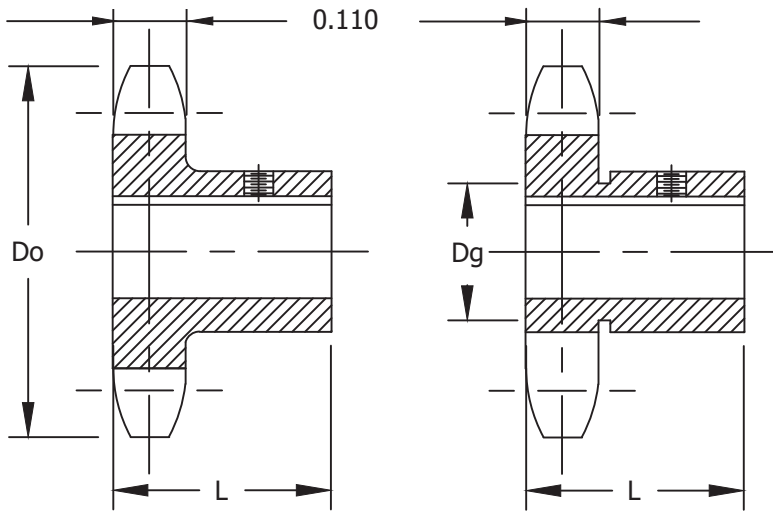
Single - Type A (Plate Type)

No. of Teeth	Part Number	Diameters		Bore		Hub		Approx Weight Lbs	Part Number	Stock Bore	Approx Weight Lbs
		Outside Do	Pitch Dp	Stock	Rec. Maximum	Diameter	Length Thru Bore				
9	25B09H	0.837	0.731	1/4	1/4	7/16*	1/2	.03			
10	25B10H	0.919	0.809	1/4	1/4	1/2*	1/2	.03			
11	25B11H	1.002	0.887	1/4	5/16	9/16*	1/2	.04			
12	25B12H	1.083	0.966	1/4	3/8	5/8*	1/2	.06			
13	25B13H	1.167	1.044	1/4	7/16	23/32*	1/2	.07			
14	25B14H	1.246	1.124	1/4	9/16	13/16	1/2	.08			
15	25B15H	1.326	1.202	1/4	9/16	57/64	1/2	.10			
16	25B16H	1.407	1.281	1/4	9/16	31/32	1/2	.12			
17	25B17H	1.487	1.361	1/4	5/8	1 1/32	1/2	.14			
18	25B18H	1.568	1.440	1/4	3/4	1 1/8	1/2	.16	25A18H	1/4	.04
19	25B19H	1.648	1.519	1/4	13/16	1 7/32	1/2	.19	25A19H	1/4	.04
20	25B20H	1.729	1.598	1/4	7/8	1 9/32	5/8	.25	25A20H	1/4	.04
21	25B21H	1.809	1.678	1/4	7/8	1 3/8	5/8	.28	25A21H	1/4	.04
22	25B22H	1.889	1.757	1/4	15/16	1 7/16	5/8	.31	25A22H	1/4	.06
23	25B23H	1.969	1.836	1/4	1	1 1/2	5/8	.32	25A23H	1/4	.06
24	25B24H	2.049	1.915	3/8	1	1 1/2	5/8	.33	25A24H	3/8	.08
25	25B25H	2.129	1.994	3/8	1	1 1/2	5/8	.34	25A25H	3/8	.08
26	25B26H	2.209	2.074	3/8	1	1 1/2	5/8	.35	25A26H	3/8	.09
27	25B27H	2.289	2.154	3/8	1	1 1/2	5/8	.35	25A27H	3/8	.10
28	25B28H	2.369	2.233	3/8	1	1 1/2	5/8	.36	25A28H	3/8	.10
30	25B30H	2.529	2.392	3/8	1	1 1/2	5/8	.38	25A30H	3/8	.12
32	25B32	2.688	2.312	3/8	1	1 1/2	5/8	.40	25A32	3/8	.14
36	25B36	3.008	2.869	3/8	1	1 1/2	3/4	.50	25A36	3/8	.18
40	25B40	3.327	3.186	1/2	1 3/8	2	3/4	.53	25A40	1/2	.20
45	25B45	3.725	3.584	1/2	1 3/8	2	3/4	.56	25A45	1/2	.25
48	25B48	3.964	3.822	1/2	1 3/8	2	3/4	.56	25A48	1/2	.32
54	25B54	4.442	4.3	1/2	1 3/8	2	3/4	1.00	25A54	1/2	.38
60	25B60	4.92	4.777	1/2	1 3/8	2	3/4	1.10	25A60	1/2	.54

Suffix H indicates Hardened Teeth

25 Sprocket

1/4" Pitch



Type BS

Single - Type BS (Hub Type) Finished Bore - Keyway with 2 Set Screws

No. of Teeth	Part Number	Diameters		Hub		Approx Weight Lbs	Stock Finished Bore (includes Keyway and Set Screws)													
		Outside Do	Pitch Dp	Diameter Dh	Length L															
9	25BS09H	0.837	0.731	7/16*	1/2	.03	+1/4													
10	25BS10H	0.919	0.809	1/2*	1/2	.03	+1/4													
11	25BS11H	1.002	0.887	9/16*	1/2	.04	+1/4	+5/16												
12	25BS12H	1.083	0.966	5/8*	1/2	.06	+1/4	+5/16	+3/8											
13	25BS13H	1.167	1.044	23/32*	1/2	.07	+1/4	+5/16	+3/8	+7/16										
14	25BS14H	1.246	1.124	13/16	1/2	.08	+1/4	+5/16	+3/8	+7/16	+1/2	9/16								
15	25BS15H	1.326	1.202	57/64	1/2	.10	+1/4	+5/16	+3/8	+7/16	+1/2	9/16								
16	25BS16H	1.407	1.281	31/32	1/2	.12	+1/4	+5/16	+3/8	+7/16	+1/2	9/16								
17	25BS17H	1.487	1.361	1 1/32	1/2	.14	+1/4	+5/16	+3/8	+7/16	+1/2	9/16								
18	25BS18H	1.568	1.440	1 1/8	1/2	.16	+1/4	+5/16	+3/8	+7/16	+1/2	9/16	5/8	11/16	3/4					
19	25BS19H	1.648	1.519	1 7/32	1/2	.19	+1/4	+5/16	+3/8	+7/16	+1/2	9/16	5/8	11/16	3/4	13/16				
20	25BS20H	1.729	1.598	1 9/32	5/8	.25	+1/4	+5/16	+3/8	+7/16	+1/2	9/16	5/8	11/16	3/4	13/16	7/8			
21	25BS21H	1.809	1.678	1 3/8	5/8	.28	+1/4	+5/16	+3/8	+7/16	+1/2	9/16	5/8	11/16	3/4	13/16	7/8			
22	25BS22H	1.889	1.757	1 7/16	5/8	.31	+1/4	+5/16	+3/8	+7/16	+1/2	9/16	5/8	11/16	3/4	13/16	7/8	15/16		
23	25BS23H	1.969	1.836	1 1/2	5/8	.32			+3/8	+7/16	+1/2	9/16	5/8	11/16	3/4	13/16	7/8	15/16		
24	25BS24H	2.049	1.915	1 1/2	5/8	.33				+7/16	+1/2	9/16	5/8	11/16	3/4	13/16	7/8	15/16	1	
25	25BS25H	2.129	1.994	1 1/2	5/8	.34				+7/16	+1/2	9/16	5/8	11/16	3/4	13/16	7/8	15/16	1	
26	25BS26H	2.209	2.074	1 1/2	5/8	.35				+7/16	+1/2	9/16	5/8	11/16	3/4	13/16	7/8	15/16	1	
28	25BS28H	2.369	2.233	1 1/2	5/8	.36				+7/16	+1/2	9/16	5/8	11/16	3/4	13/16	7/8	15/16	1	
30	25BS30H	2.529	2.392	1 1/2	5/8	.38				+7/16	+1/2	9/16	5/8	11/16	3/4	13/16	7/8	15/16	1	
32	25BS32	2.688	2.312	1 1/2	5/8	.40				+7/16	+1/2	9/16	5/8	11/16	3/4	13/16	7/8	15/16	1	
36	25BS36	3.008	2.869	1 1/2	3/4	.50				+7/16	+1/2	9/16	5/8	11/16	3/4	13/16	7/8	15/16	1	

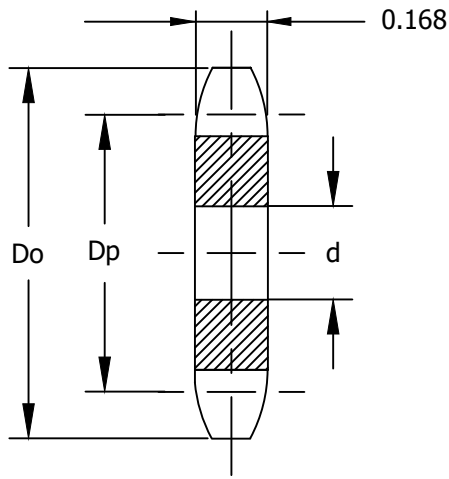
+ Indicates NO keyway. Two setscrews only at 90 degrees

Weight will vary significantly based on bore size

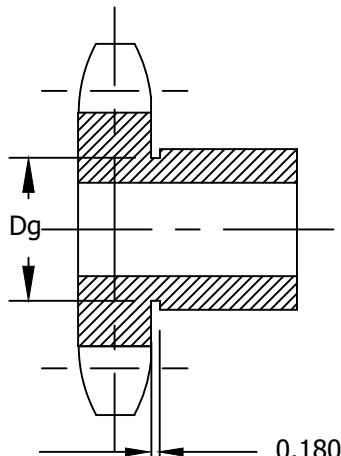
Suffix H indicates Hardened Teeth

35 Sprocket

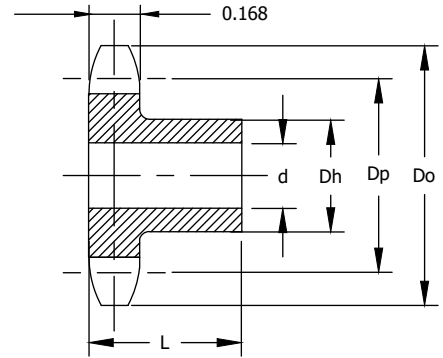
3/8" Pitch



Type A



Type BS



* Indicates has recessed groove in hub for chain clearance.
Groove diameter Dg is indicated below:

Part #	Dg (in.)
35B09H	0.635
35B10H	0.750
35B11H	0.890
35B12H	1.000
35B13H	1.125

Single - Type B (Hub Type)

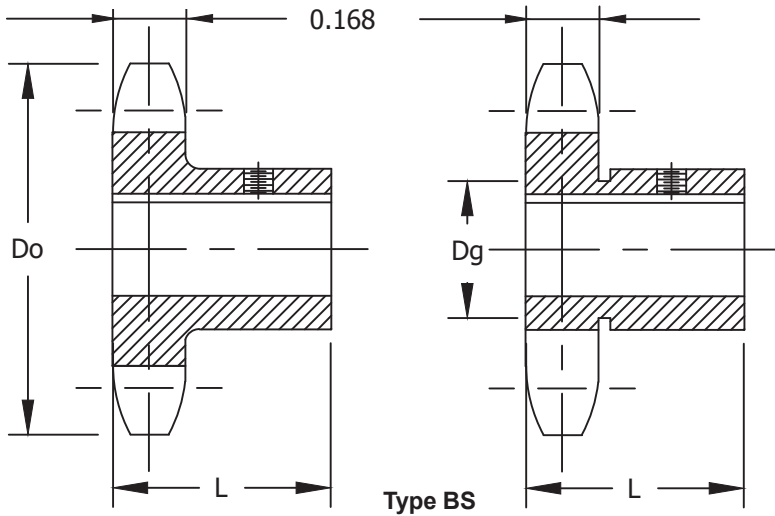
Single - Type A (PlateType)

No. of Teeth	Part Number	Diameters		Bore		Hub		Approx Weight Lbs	Part Number	Stock Bore	Approx Weight Lbs
		Outside Do	Pitch Dp	Stock	Rec. Maximum	Diameter	Length Thru Bore				
9	35B09H	1.260	1.096	3/8	3/8	27/32*	3/4	.09			
10	35B10H	1.380	1.214	3/8	9/16	31/32*	3/4	.14			
11	35B11H	1.500	1.331	3/8	9/16	1 1/16*	3/4	.17			
12	35B12H	1.630	1.449	1/2	9/16	1 7/32*	3/4	.20			
13	35B13H	1.750	1.567	1/2	11/16	1 1/4*	3/4	.23			
14	35B14H	1.870	1.685	1/2	7/8	1 1/4	3/4	.25			
15	35B15H	1.990	1.804	1/2	7/8	1 11/32	3/4	.29	35A15H	1/2	.10
16	35B16H	2.110	1.922	1/2	15/16	1 15/32	3/4	.35	35A16H	1/2	.12
17	35B17H	2.230	2.041	1/2	1 1/16	1 19/32	3/4	.42	35A17H	1/2	.12
18	35B18H	2.350	2.159	1/2	1 3/16	1 23/32	3/4	.48	35A18H	1/2	.14
19	35B19H	2.470	2.278	1/2	1 1/4	1 27/32	3/4	.54	35A19H	1/2	.16
20	35B20H	2.590	2.397	1/2	1 5/16	1 15/16	3/4	.59	35A20H	1/2	.20
21	35B21H	2.710	2.516	1/2	1 3/8	2	7/8	.80	35A21H	1/2	.20
22	35B22H	2.830	2.635	1/2	1 3/8	2	7/8	.80	35A22H	1/2	.22
23	35B23H	2.950	2.754	1/2	1 3/8	2	7/8	.82	35A23H	1/2	.24
24	35B24H	3.070	2.873	1/2	1 3/8	2	7/8	.88	35A24H	1/2	.26
25	35B25H	3.190	2.992	1/2	1 3/8	2	7/8	.88	35A25H	1/2	.28
26	35B26H	3.310	3.111	1/2	1 3/8	2	7/8	.90	35A26H	1/2	.28
27	35B27H	3.430	3.230	1/2	1 3/8	2	7/8	.94	35A27H	1/2	.34
28	35B28H	3.550	3.349	1/2	1 3/8	2	7/8	.94	35A28H	1/2	.34
30	35B30H	3.790	3.588	1/2	1 3/8	2	7/8	1.02	35A30H	1/2	.46
32	35B32H	4.030	3.826	1/2	1 3/8	2	7/8	1.24	35A32H	5/8	.46
35	35B35H	4.390	4.183	5/8	1 3/8	2 1/4	7/8	1.50	35A35H	5/8	.60
36	35B36H	4.510	4.303	5/8	1 1/2	2 1/4	1	1.56	35A36H	5/8	.62
40	35B40H	4.990	4.780	5/8	1 1/2	2 1/4	1	1.62	35A40H	19/32	.70
42	35B42	5.230	5.018	5/8	1 1/2	2 1/4	1	1.68	35A42	19/32	.78
45	35B45	5.590	5.376	5/8	1 1/2	2 1/4	1	1.78	35A45	19/32	.88
48	35B48	5.950	5.734	5/8	1 1/2	2 1/4	1	1.88	35A48	19/32	1.21
54	35B54	6.660	6.449	5/8	1 1/2	2 1/4	1	2.20	35A54	19/32	1.32
60	35B60	7.380	7.165	3/4	1 1/2	2 1/4	1	2.48	35A60	23/32	1.66

Suffix H indicates Hardened Teeth

35 Sprocket

3/8" Pitch



Single - Type BS (Hub Type) Finished Bore - Keyway with 2 Set Screws

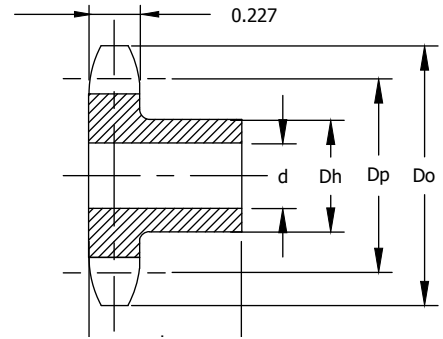
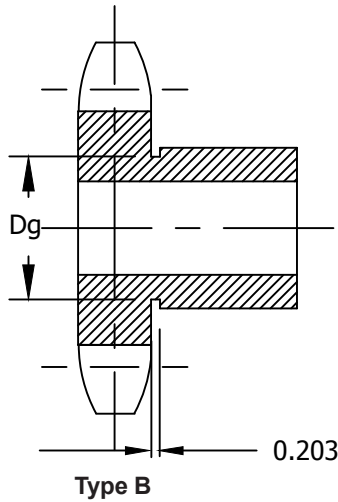
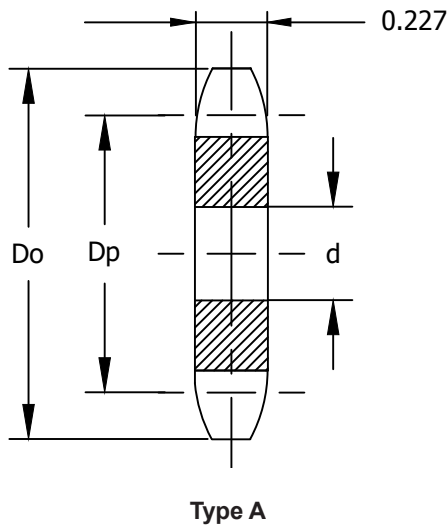
No. of Teeth	Part Number	Diameters		Hub		Approx Weight Lbs	Stock Finished Bore (includes Keyway and Set Screws)														
		Outside Do	Pitch Dp	Diameter Dh	Length L																
9	35BS9H	1.260	1.096"	27/32*	3/4	.10	+3/8														
10	35BS10H	1.380	1.214"	31/32*	3/4	.11	+3/8	+1/2	++5/8												
11	35BS11H	1.500	1.331"	1 1/16*	3/4	.15	+3/8	+1/2	++5/8	++3/4											
12	35BS12H	1.630	1.449"	1 7/32*	3/4	.18		+1/2	5/8	++3/4											
13	35BS13H	1.750	1.567"	1 1/4*	3/4	.20		+1/2	5/8	3/4											
14	35BS14H	1.870	1.685"	1 1/4	3/4	.22		+1/2	5/8	3/4											
15	35BS15H	1.990	1.804"	1 11/32	3/4	.24		+1/2	5/8	3/4	7/8	1									
16	35BS16H	2.110	1.922"	1 15/32	3/4	.29		+1/2	5/8	3/4	7/8	1									
17	35BS17H	2.230	2.041"	1 19/32	3/4	.36		+1/2	5/8	3/4	7/8	1									
18	35BS18H	2.350	2.159"	1 23/32	3/4	.39		+1/2	5/8	3/4	7/8	1									
19	35BS19H	2.470	2.278"	1 27/32	3/4	.44		+1/2	5/8	3/4		1							13/16		
20	35BS20H	2.590	2.397"	1 15/16	3/4	.51		+1/2	5/8	3/4		1							13/16	7/8	
21	35BS21H	2.710	2.516"	2	7/8	.75		+1/2	5/8	3/4		1							13/16	7/8	
22	35BS22H	2.830	2.635"	2	7/8	.78		+1/2	5/8	3/4		1							13/16	7/8	15/16
23	35BS23H	2.950	2.754"	2	7/8	.78		+1/2	5/8	3/4		1							13/16	7/8	15/16
24	35BS24H	3.070	2.873"	2	7/8	.79		+1/2	5/8	3/4		1							13/16	7/8	15/16
25	35BS25H	3.190	2.992"	2	7/8	.80		+1/2	5/8	3/4		1							13/16	7/8	15/16
26	35BS26H	3.310	3.111"	2	7/8	.84			5/8	3/4	7/8	1	1 1/8	1 3/16	1 1/4				13/16	7/8	15/16
27	35BS27H	3.430	3.230"	2	7/8	.88			5/8	3/4	7/8	1	1 1/8	1 3/16	1 1/4				13/16	7/8	15/16
28	35BS28H	3.550	3.349"	2	7/8	.86			5/8	3/4	7/8	1	1 1/8	1 3/16	1 1/4				13/16	7/8	15/16
30	35BS30H	3.790	3.588"	2	7/8	.96			5/8	3/4	7/8	1	1 1/8	1 3/16	1 1/4				13/16	7/8	15/16
32	35BS32H	4.030	3.826"	2	7/8	1.14			5/8	3/4	7/8	1	1 1/8	1 3/16	1 1/4				13/16	7/8	15/16
35	35BS35H	4.390	4.183"	2 1/4	1	1.38			5/8	3/4	7/8	1	1 1/8	1 3/16	1 1/4						
36	35BS36H	4.510	4.303"	2 1/4	1	1.41			5/8	3/4	7/8	1	1 1/8	1 3/16	1 1/4						
40	35BS40H	4.990	4.780"	2 1/4	1	1.56			5/8	3/4	7/8	1	1 1/8	1 3/16	1 1/4						
42	35BS42	5.230	5.018"	2 1/4	1	1.64			5/8	3/4	7/8	1	1 1/8	1 3/16	1 1/4						
45	35BS45	5.590	5.376"	2 1/4	1	1.74			5/8	3/4	7/8	1	1 1/8	1 3/16	1 1/4						
48	35BS48	5.950	5.734"	2 1/4	1	1.86			5/8	3/4	7/8	1	1 1/8	13/16	1 1/4						
54	35BS54	6.660	6.449"	2 1/4	1	1.98			5/8	3/4	7/8	1	1 1/8	13/16	1 1/4						
60	35BS60	7.380	7.165"	2 1/4	1	2.34				3/4	7/8	1	1 1/8	13/16	1 1/4						
70	35BS70	8.580	8.358"	2 1/4	1	3.14				3/4	7/8	1	1 1/8	13/16	1 1/4						
72	35BS72	8.810	8.597"	2 1/4	1	3.30				3/4	7/8	1	1 1/8	13/16	1 1/4						
80	35BS80	9.770	9.552"	2 1/4	1	3.94				3/4	7/8	1	1 1/8	13/16	1 1/4						
84	35BS84	10.250	10.029"	2 1/4	1	4.26				3/4	7/8	1	1 1/8	13/16	1 1/4						
96	35BS96	11.680	11.461"	2 1/4	1	5.22				3/4	7/8	1	1 1/8	13/16	1 1/4						
112	35BS112	13.590	13.371"	2 1/4	1	6.50				3/4	7/8	1	1 1/8	13/16	1 1/4						

+ Indicates NO keyway. Two setscrews only at 90 degrees
 ++ Indicates keyway with setscrew at 90 degrees and 180 degrees from keyway

Weight will vary significantly based on bore size
 Suffix H indicates Hardened Teeth

41 Sprocket

3/8" Pitch



* Indicates has recessed groove in hub for chain clearance.
Groove diameter Dg is indicated below:

Part #	Dg (in.)
41B06H	0.450
41B07H	0.616
41B08H	0.776
41B09H	0.937
41B10H	1.076
41B11H	1.260
41B12H	1.433

Single - Type B (Hub Type)

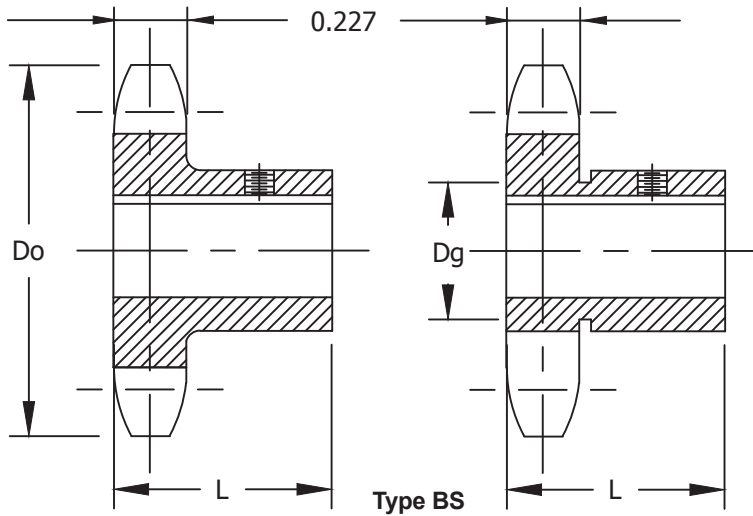
Single - Type A (PlateType)

No. of Teeth	Part Number	Diameters		Bore		Hub		Approx Weight Lbs	Part Number	Stock Bore	Approx Weight Lbs
		Outside Do	Pitch Dp	Stock	Rec. Maximum	Diameter	Length Thru Bore				
9	41B09H	1.670	1.462	1/2	5/8	1 1/8*	7/8	.20			
10	41B10H	1.840	1.618	1/2	3/4	1 1/4*	7/8	.27			
11	41B11H	2.000	1.775	1/2	7/8	1 7/16*	7/8	.35			
12	41B12H	2.170	1.932	1/2	15/16	1 9/16*	7/8	.44			
13	41B13H	2.330	2.089	1/2	1	1 9/16	7/8	.50			
14	41B14H	2.490	2.247	1/2	1 1/4	1 3/4	7/8	.57			
15	41B15H	2.650	2.405	1/2	1 5/16	1 29/32	7/8	.72	41A15H	5/8	.28
16	41B16H	2.810	2.563	5/8	1 3/8	2 1/16	7/8	.91	41A16H	5/8	.34
17	41B17H	2.970	2.721	5/8	1 1/2	2 15/64	1	1.09	41A17H	5/8	.36
18	41B18H	3.140	2.879	5/8	1 5/8	2 3/8	1	1.25	41A18H	5/8	.44
19	41B19H	3.300	3.038	5/8	1 3/4	2 15/32	1	1.49	41A19H	5/8	.46
20	41B20H	3.460	3.196	5/8	1 7/8	2 3/4	1	1.64	41A20H	5/8	.52
21	41B21H	3.620	3.355	5/8	1 7/8	2 7/8	1	1.81	41A21H	5/8	.60
22	41B22H	3.780	3.513	5/8	2	3	1	1.93	41A22H	5/8	.66
23	41B23H	3.940	3.672	5/8	2 1/4	3 3/16	1	2.25	41A23H	5/8	.72
24	41B24H	4.100	3.831	5/8	2 1/4	3 1/4	1	2.33	41A24H	5/8	.82
25	41B25H	4.260	3.989	5/8	2 1/4	3 1/4	1	2.46	41A25H	5/8	.88
26	41B26H	4.420	4.148	5/8	2 1/4	3 1/4	1	2.50	41A26H	5/8	.94
27	41B27H	4.580	4.307	5/8	2 1/4	3 1/4	1	2.56	41A27H	5/8	1.00
28	41B28H	4.740	4.465	5/8	2 1/4	3 1/4	1	2.64	41A28H	5/8	1.08
30	41B30H	5.060	4.783	5/8	2 1/4	3 1/4	1	2.80	41A30H	19/32	1.20
32	41B32H	5.380	5.101	5/8	2 3/8	3 1/4	1	2.96	41A32H	19/32	1.44
35	41B35H	5.860	5.578	5/8	2 3/8	3 1/4	1	3.12	41A35H	19/32	1.70
36	41B36H	6.020	5.737	5/8	2 3/8	3 1/4	1	3.32	41A36H	19/32	1.84
40	41B40	6.650	6.373	3/4	2 3/8	3 1/4	1 1/16	4.06	41A40	23/32	2.22
42	41B42	6.970	6.691	3/4	2 3/8	3 1/2	1 1/16	4.10	41A42	23/32	2.50
45	41B45	7.450	7.168	3/4	2 3/8	3 1/2	1 1/16	4.18	41A45	23/32	2.52
48	41B48	7.930	7.645	3/4	2 3/8	3 1/2	1 1/16	4.92	41A48	23/32	2.92
54	41B54	8.880	8.599	3/4	2 3/8	3 1/2	1 1/16	5.68	41A54	23/32	3.54
60	41B60	9.840	9.554	3/4	2 3/8	3 1/2	1 1/16	6.78	41A60	23/32	4.60

Suffix H indicates Hardened Teeth

41 Sprocket

1/2" Pitch



Single - Type BS (Hub Type) Finished Bore

No. of Teeth	Part Number	Diameters		Hub		Approx Weight Lbs	Stock Finished Bore (Includes Keyway and Set Screws)										
		Outside Do	Pitch Dp	Diameter Dh	Length L												
9	41BS09H	1.670	1.462"	1 1/8*	7/8	.20	+1/2	5/8									
10	41BS10H	1.840	1.618"	1 1/4*	7/8	.25	+1/2	5/8									
11	41BS11H	2.000	1.775"	1 7/16*	7/8	.32	+1/2	5/8	3/4								
12	41BS12H	2.170	1.932"	1 9/16*	7/8	.33	+1/2	5/8	3/4								
13	41BS13H	2.330	2.089"	1 9/16	7/8	.43	+1/2	5/8	3/4	1							
14	41BS14H	2.490	2.247"	1 3/4	7/8	.48	+1/2	5/8	3/4	1							
15	41BS15H	2.650	2.405"	1 29/32	7/8	.59	+1/2	5/8	3/4	1							
16	41BS16H	2.810	2.563"	2 1/16	7/8	.72		5/8	3/4	1							
17	41BS17H	2.970	2.721"	2 15/64	1	1.00		5/8	3/4	1							
18	41BS18H	3.140	2.879"	2 3/8	1	1.10		5/8	3/4	1							
19	41BS19H	3.300	3.038"	2 15/32	1	1.21		5/8	3/4	1							
20	41BS20H	3.460	3.196"	2 3/4	1	1.39		5/8	3/4	1							
21	41BS21H	3.620	3.355"	2 7/8	1	1.77		5/8	3/4	1							
22	41BS22H	3.780	3.513"	3	1	1.92		5/8	3/4	1							
23	41BS23H	3.940	3.672"	3 3/16	1	2.18		5/8	3/4	1							
24	41BS24H	4.100	3.831"	3 1/4	1	2.24		5/8	3/4	1							
25	41BS25H	4.260	3.989"	3 1/4	1	2.42		5/8	3/4	1							
26	41BS26H	4.420	4.148"	3 1/4	1	2.46		5/8	3/4	1							
27	41BS27H	4.580	4.307"	3 1/4	1	2.52		5/8	3/4	1							
28	41BS28H	4.740	4.465"	3 1/4	1	2.60		5/8	3/4	1							
30	41BS30H	5.060	4.783"	3 1/4	1	2.76		5/8	3/4	1							
32	41BS32H	5.380	5.101"	3 1/4	1	2.92		5/8	3/4	1							
35	41BS35H	5.860	5.578"	3 1/4	1	3.08		5/8	3/4	1							
36	41BS36	6.020	5.737"	3 1/4	1	3.28		5/8	3/4	1							
40	41BS40	6.650	6.373"	3 1/4	1 1/16	3.82			3/4	1	1 1/8	1 3/16	1 1/4	1 3/8	1 7/16	1 1/2	
42	41BS42	6.970	6.691"	3 1/2	1 1/16	3.68			3/4	1	1 1/8	1 3/16	1 1/4	1 3/8	1 7/16	1 1/2	
45	41BS45	7.450	7.168"	3 1/2	1 1/16	3.94			3/4	1	1 1/8	1 3/16	1 1/4	1 3/8	1 7/16	1 1/2	
48	41BS48	7.930	7.645"	3 1/2	1 1/16	4.68			3/4	1	1 1/8	1 3/16	1 1/4	1 3/8	1 7/16	1 1/2	
54	41BS54	8.880	8.599"	3 1/2	1 1/16	5.44			3/4	1	1 1/8	1 3/16	1 1/4	1 3/8	1 7/16	1 1/2	
60	41BS60	9.840	9.554"	3 1/2	1 1/16	6.54			3/4	1	1 1/8	1 3/16	1 1/4	1 3/8	1 7/16	1 1/2	
70	41BS70	11.430	11.145"	4	1 1/16	9.28			3/4	1	1 1/8	1 3/16	1 1/4	1 3/8	1 7/16	1 1/2	
72	41BS72	11.750	11.463"	4	1 1/16	9.38			3/4	1	1 1/8	1 3/16	1 1/4	1 3/8	1 7/16	1 1/2	
80	41BS80	13.030	12.736"	4	1 1/16	11.28			3/4	1	1 1/8	1 3/16	1 1/4	1 3/8	1 7/16	1 1/2	
84	41BS84	13.660	13.372"	4	1 1/16	11.94			3/4	1	1 1/8	1 3/16	1 1/4	1 3/8	1 7/16	1 1/2	
96	41BS96	15.570	15.282"	4	1 1/16	14.51				1	1 1/8	1 3/16	1 1/4	1 3/8	1 7/16	1 1/2	
112	41BS112	18.120	17.827"	4	1 1/16	18.81				1	1 1/8	1 3/16	1 1/4	1 3/8	1 7/16	1 1/2	

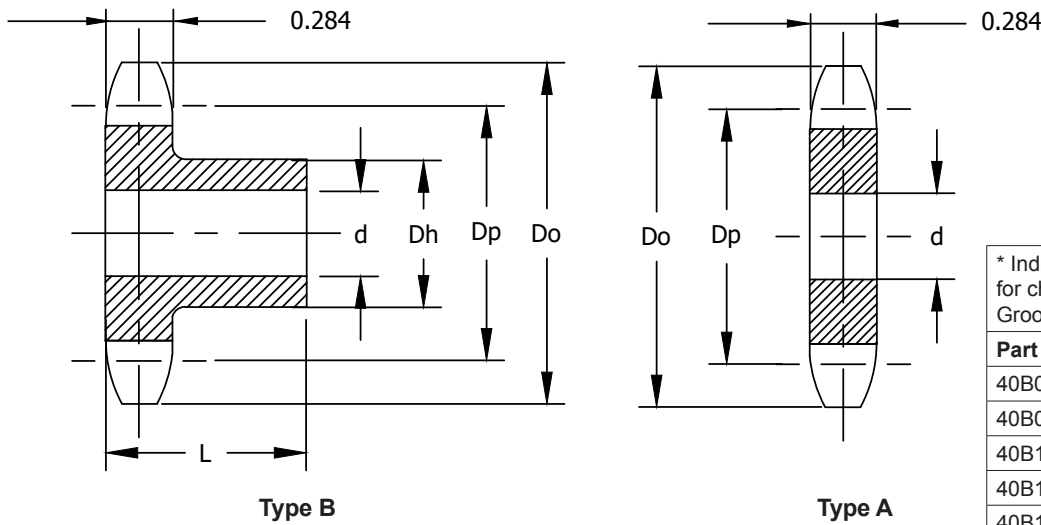
+ Indicates NO keyway. Two setscrews only at 90 degrees

Weight will vary significantly based on bore size

Suffix H indicates Hardened Teeth

40 Sprocket

1/2" Pitch



* Indicates has recessed groove in hub for chain clearance. Groove diameter Dg is indicated below:

Part #	Dg (in.)
40B08H	0.683
40B09H	0.850
40B10H	1.015
40B11H	1.179
40B12H	1.342

Single - Type B (Hub Type)

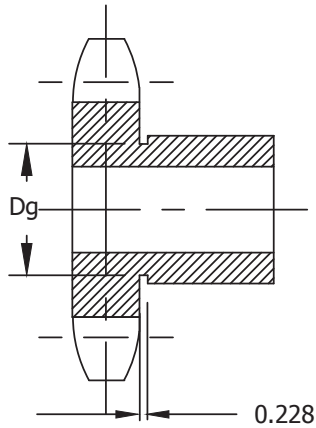
Single - Type A (PlateType)

No. of Teeth	Part Number	Diameters		Bore		Hub		Approx Weight Lbs	Part Number	Stock Bore	Approx Weight Lbs
		Outside Do	Pitch Dp	Stock	Rec. Maximum	Diameter	Length Thru Bore				
9	40B09H	1.670	1.462	1/2	9/16	1 1/16*	7/8	.20			
10	40B10H	1.840	1.618	1/2	3/4	1 1/4*	7/8	.27			
11	40B11H	2.000	1.775	1/2	7/8	1 3/8*	7/8	.35			
12	40B12H	2.170	1.932	1/2	1	1 9/16*	7/8	.45	40A12H	1/2	.18
13	40B13H	2.330	2.089	1/2	1 1/16	1 9/16	7/8	.50	40A13H	1/2	.22
14	40B14H	2.490	2.247	1/2	1 1/8	1 11/16	7/8	.59	40A14H	1/2	.26
15	40B15H	2.650	2.405	1/2	1 1/4	1 13/16	7/8	.70	40A15H	5/8	.30
16	40B16H	2.810	2.563	5/8	1 3/8	2	7/8	.79	40A16H	5/8	.34
17	40B17H	2.980	2.721	5/8	1 7/16	2 1/8	1	1.04	40A17H	5/8	.36
18	40B18H	3.140	2.879	5/8	1 1/2	2 5/16	1	1.22	40A18H	5/8	.44
19	40B19H	3.300	3.038	5/8	1 3/4	2 1/2	1	1.43	40A19H	5/8	.46
20	40B20H	3.460	3.196	5/8	1 7/8	2 5/8	1	1.56	40A20H	5/8	.56
21	40B21H	3.620	3.355	5/8	1 7/8	2 3/4	1	1.73	40A21H	5/8	.58
22	40B22H	3.780	3.513	5/8	1 7/8	2 7/8	1	1.96	40A22H	5/8	.66
23	40B23H	3.940	3.672	5/8	2	3	1	2.13	40A23H	5/8	.72
24	40B24H	4.100	3.831	5/8	2 1/4	3 1/4	1	2.41	40A24H	5/8	.82
25	40B25H	4.260	3.989	5/8	2 1/4	3 1/4	1	2.54	40A25H	5/8	.88
26	40B26H	4.420	4.148	5/8	2 1/4	3 1/4	1	2.58	40A26H	5/8	.94
27	40B27H	4.580	4.307	5/8	2 1/4	3 1/4	1	2.66	40A27H	5/8	.98
28	40B28H	4.740	4.466	5/8	2 1/4	3 1/4	1	2.73	40A28H	5/8	1.10
29	40B29H	4.900	4.624	5/8	2 1/4	3 1/4	1	2.80	40A29H	19/32	1.22
30	40B30H	5.060	4.783	5/8	2 1/4	3 1/4	1	2.98	40A30H	19/32	1.26
31	40B31H	5.220	4.942	5/8	2 1/4	3 1/4	1	3.10	40A31H	19/32	1.40
32	40B32H	5.380	5.101	5/8	2 1/4	3 1/4	1	3.16	40A32H	19/32	1.48
33	40B33H	5.540	5.26	5/8	2 1/4	3 1/4	1	3.22	40A33H	19/32	1.56
34	40B34H	5.700	5.412	5/8	2 1/4	3 1/4	1	3.30	40A34H	19/32	1.64
35	40B35H	5.860	5.578	5/8	2 1/4	3 1/4	1	3.46	40A35H	19/32	1.70
36	40B36	6.020	5.737	5/8	2 1/4	3 1/4	1	3.58	40A36	19/32	1.84
37	40B37	6.180	5.896	5/8	2 1/4	3 1/4	1	3.62	40A37	19/32	1.92

Chart continues on next page

40 Sprocket

1/2" Pitch



Type B



Single - Type B (Hub Type)

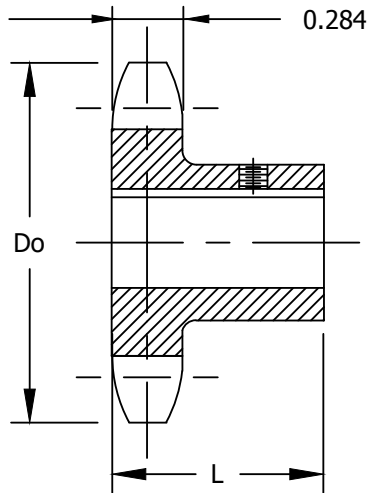
Single - Type A (PlateType)

No. of Teeth	Part Number	Diameters		Bore		Hub		Approx Weight Lbs	Part Number	Stock Bore	Approx Weight Lbs
		Outside Do	Pitch Dp	Stock	Rec. Maximum	Diameter	Length Thru Bore				
38	40B38	6.330	6.054	5/8	2 1/4	3 1/4	1	3.70	40A38	19/32	2.00
39	40B39	6.490	6.214	5/8	2 1/4	3 1/4	1	3.76	40A39	19/32	2.02
40	40B40	6.650	6.373	3/4	2 3/8	3 1/2	1 1/8	4.69	40A40	23/32	2.22
41	40B41	6.810	6.532	3/4	2 3/8	3 1/2	1 1/8	4.76	40A41	23/32	2.42
42	40B42	6.970	6.691	3/4	2 3/8	3 1/2	1 1/8	4.82	40A42	23/32	2.50
43	40B43	7.130	6.85	3/4	2 3/8	3 1/2	1 1/8	5.12	40A43	23/32	2.80
44	40B44	7.290	7.009	3/4	2 3/8	3 1/2	1 1/8	5.15	40A44	23/32	2.85
45	40B45	7.450	7.168	3/4	2 3/8	3 1/2	1 1/8	5.30	40A45	23/32	3.15
46	40B46	7.610	7.327	3/4	2 3/8	3 1/2	1 1/8	5.57	40A46	23/32	3.26
47	40B47	7.770	7.486	3/4	2 3/8	3 1/2	1 1/8	5.44	40A47	23/32	3.32
48	40B48	7.930	7.645	3/4	2 3/8	3 1/2	1 1/8	5.84	40A48	23/32	3.22
49	40B49	8.090	7.804	3/4	2 3/8	3 1/2	1 1/8	5.90	40A49	23/32	3.44
50	40B50	8.250	7.963	3/4	2 3/8	3 1/2	1 1/8	5.96	40A50	23/32	3.62
51	40B51	8.410	8.122	3/4	2 3/8	3 1/2	1 1/8	6.08	40A51	23/32	3.94
52	40B52	8.570	8.281	3/4	2 3/8	3 1/2	1 1/8	6.28	40A52	23/32	4.08
53	40B53	8.730	8.44	3/4	2 3/8	3 1/2	1 1/8	6.33	40A53	23/32	4.04
54	40B54	8.890	8.599	3/4	2 3/8	3 1/2	1 1/8	6.42	40A54	23/32	4.44
55	40B55	9.040	8.758	3/4	2 3/8	3 1/2	1 1/8	6.46	40A55	23/32	4.54
56	40B56	9.200	8.917	3/4	2 3/8	3 1/2	1 1/8	6.89	40A56	23/32	4.84
57	40B57	9.360	9.076	3/4	2 3/8	3 1/2	1 1/8	7.02	40A57	23/32	5.00
58	40B58	9.520	9.236	3/4	2 3/8	3 1/2	1 1/8	7.36	40A58	23/32	5.12
59	40B59	8.410	9.395	3/4	2 3/8	3 1/2	1 1/8	7.45	40A59	23/32	5.30
60	40B60	9.840	9.554	3/4	2 3/8	3 1/2	1 1/8	7.86	40A60	23/32	5.48
70	40B70	11.430	11.145	3/4	2 3/4	4	1 1/4	11.00	40A70	23/32	7.24
72	40B72	11.750	11.463	3/4	2 3/4	4	1 1/4	11.50	40A72	23/32	7.74
80	40B80	13.030	12.736	3/4	2 3/4	4	1 1/4	13.40	40A80	23/32	10.20
84	40B84	13.660	13.372	3/4	2 3/4	4	1 1/4	14.04	40A84	23/32	10.07
96	40B96	15.570	15.281	1	2 3/4	4	1 1/4	17.56	40A96	15/16	12.15
112	40B112	18.120	17.828	1	2 3/4	4	1 1/4	22.56	40A112	15/16	20.00

Suffix H indicates Hardened Teeth

40 Sprocket

1/2" Pitch



Type BS

* Indicates has recessed groove in hub for chain clearance.
Groove diameter D_g is indicated below:

Part #	D_g (in.)
40BS08H	0.683
40BS09H	0.850
40BS10H	1.015
40BS11H	1.179
40BS12H	1.342

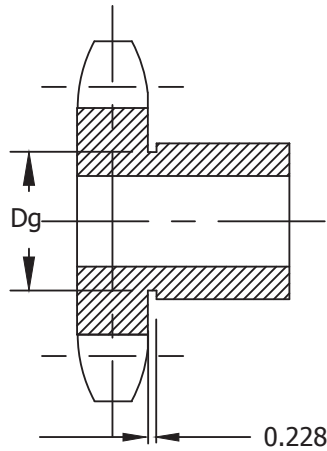
Single - Type BS (Hub Type) Finished Bore - Keyway with 2 Set Screws

No. of Teeth	Part Number	Diameters		Hub		Approx Weight Lbs	Stock Finished Bore (includes Keyway and Set Screws)											
		Outside D_o	Pitch D_p	Diameter D_h	Length L													
9	40BS09H	1.670"	1.462"	1 1/16*	7/8	.16	+1/2	5/8										
10	40BS10H	1.840"	1.618"	1 1/4*	7/8	.24	+1/2	5/8	3/4									
11	40BS11H	2.000"	1.775"	1 3/8*	7/8	.28	+1/2	5/8	3/4	7/8								
12	40BS12H	2.170"	1.932"	1 9/16*	7/8	.34	+1/2	5/8	3/4	7/8	1							
13	40BS13H	2.330"	2.089"	1 9/16	7/8	.45	+1/2	5/8	3/4	7/8	1							
14	40BS14H	2.490"	2.247"	1 11/16	7/8	.51	+1/2	5/8	3/4	7/8	1	1 1/8						
15	40BS15H	2.650"	2.405"	1 13/16	7/8	.53	+1/2	5/8	3/4	7/8	1	1 1/8	1 3/16	1 1/4				
16	40BS16H	2.810"	2.563"	2	7/8	.66		5/8	3/4	7/8	1	1 1/8	1 3/16	1 1/4				
17	40BS17H	2.970"	2.721"	2 1/8	1	.88		5/8	3/4	7/8	1	1 1/8	1 3/16	1 1/4				
18	40BS18H	3.140"	2.879"	2 5/16	1	1.03		5/8	3/4	7/8	1	1 1/8	1 3/16	1 1/4	1 3/8	1 7/16	1 1/2	
19	40BS19H	3.300"	3.038"	2 1/2	1	1.17		5/8	3/4	7/8	1	1 1/8	1 3/16	1 1/4	1 3/8	1 7/16	1 1/2	
20	40BS20H	3.460"	3.196"	2 5/8	1	1.33		5/8	3/4	7/8	1	1 1/8	1 3/16	1 1/4	1 3/8	1 7/16	1 1/2	
21	40BS21H	3.620"	3.355"	2 3/4	1	1.53		5/8	3/4	7/8	1	1 1/8	1 3/16	1 1/4	1 3/8	1 7/16	1 1/2	
22	40BS22H	3.780"	3.513"	2 7/8	1	1.66		5/8	3/4	7/8	1	1 1/8	1 3/16	1 1/4	1 3/8	1 7/16	1 1/2	
23	40BS23H	3.940"	3.672"	3	1	1.92		5/8	3/4	7/8	1	1 1/8	1 3/16	1 1/4	1 3/8	1 7/16	1 1/2	
24	40BS24H	4.100"	3.831"	3 1/4	1	2.10		5/8	3/4	7/8	1	1 1/8	1 3/16	1 1/4	1 3/8	1 7/16	1 1/2	
25	40BS25H	4.260"	3.989"	3 1/4	1	2.22		5/8	3/4	7/8	1	1 1/8	1 3/16	1 1/4		1 7/16	1 1/2	
26	40BS26H	4.420"	4.148"	3 1/4	1	2.34		5/8	3/4	7/8	1	1 1/8	1 3/16	1 1/4		1 7/16	1 1/2	
27	40BS27H	4.580"	4.307"	3 1/4	1	2.42		5/8	3/4	7/8	1	1 1/8	1 3/16	1 1/4		1 7/16	1 1/2	
28	40BS28H	4.740"	4.466"	3 1/4	1	2.50		5/8	3/4	7/8	1	1 1/8	1 3/16	1 1/4		1 7/16	1 1/2	
29	40BS29H	4.900"	4.624"	3 1/4	1	2.60		5/8	3/4	7/8	1	1 1/8	1 3/16	1 1/4		1 7/16	1 1/2	
30	40BS30H	5.060"	4.783"	3 1/4	1	2.70		5/8	3/4	7/8	1	1 1/8	1 3/16	1 1/4		1 7/16	1 1/2	
31	40BS31H	5.220"	4.942"	3 1/4	1	2.88		5/8	3/4	7/8	1	1 1/8	1 3/16	1 1/4		1 7/16	1 1/2	
32	40BS32H	5.380"	5.101"	3 1/4	1	3.00		5/8	3/4	7/8	1	1 1/8	1 3/16	1 1/4		1 7/16	1 1/2	
33	40BS33H	5.540"	5.260"	3 1/4	1	3.03		5/8	3/4	7/8	1	1 1/8	1 3/16	1 1/4		1 7/16	1 1/2	
34	40BS34H	5.700"	5.412"	3 1/4	1	3.11		5/8	3/4	7/8	1	1 1/8	1 3/16	1 1/4		1 7/16	1 1/2	
35	40BS35H	5.860"	5.578"	3 1/4	1	3.20		5/8	3/4	7/8	1	1 1/8	1 3/16	1 1/4		1 7/16	1 1/2	

Chart continues on next page

40 Sprocket

1/2" Pitch



Type BS

Single - Type BS (Hub Type) Finished Bore - Keyway with 2 Set Screws

No. of Teeth	Part Number	Diameters		Hub		Approx Weight Lbs	Stock Finished Bore (includes Keyway and Set Screws)										
		Outside Do	Pitch Dp	Diameter Dh	Length L												
36	40BS36	6.020"	5.737"	3 1/4	1	3.39		5/8	3/4	7/8	1	1 1/8	1 3/16	1 1/4		1 7/16	1 1/2
37	40BS37	6.170"	5.896"	3 1/4	1	3.45		5/8	3/4	7/8	1	1 1/8	1 3/16	1 1/4		1 7/16	1 1/2
38	40BS38	6.330"	6.054"	3 1/4	1	3.50		5/8	3/4	7/8	1	1 1/8	1 3/16	1 1/4		1 7/16	1 1/2
39	40BS39	6.490"	6.214"	3 1/4	1	4.00		5/8	3/4	7/8	1	1 1/8	1 3/16	1 1/4		1 7/16	1 1/2
40	40BS40	6.650"	6.373"	3 1/2	1 1/8	4.28			3/4	7/8	1	1 1/8	1 3/16	1 1/4		1 7/16	1 1/2
41	40BS41	6.810"	6.532"	3 1/2	1 1/8	4.58			3/4	7/8	1	1 1/8	1 3/16	1 1/4		1 7/16	1 1/2
42	40BS42	6.970"	6.691"	3 1/2	1 1/8	4.64			3/4	7/8	1	1 1/8	1 3/16	1 1/4		1 7/16	1 1/2
43	40BS43	7.130"	6.850"	3 1/2	1 1/8	4.80			3/4	7/8	1	1 1/8	1 3/16	1 1/4		1 7/16	1 1/2
44	40BS44	7.290"	7.009"	3 1/2	1 1/8	4.96			3/4	7/8	1	1 1/8	1 3/16	1 1/4		1 7/16	1 1/2
45	40BS45	7.450"	7.168"	3 1/2	1 1/8	5.06			3/4	7/8	1	1 1/8	1 3/16	1 1/4		1 7/16	1 1/2
46	40BS46	7.610"	7.327"	3 1/2	1 1/8	5.19			3/4	7/8	1	1 1/8	1 3/16	1 1/4		1 7/16	1 1/2
47	40BS47	7.770"	7.486"	3 1/2	1 1/8	5.26			3/4	7/8	1	1 1/8	1 3/16	1 1/4		1 7/16	1 1/2
48	40BS48	7.930"	7.645"	3 1/2	1 1/8	5.66			3/4	7/8	1	1 1/8	1 3/16	1 1/4		1 7/16	1 1/2
49	40BS49	8.090"	7.804"	3 1/2	1 1/8	5.72			3/4	7/8	1	1 1/8	1 3/16	1 1/4		1 7/16	1 1/2
50	40BS50	8.250"	7.963"	3 1/2	1 1/8	5.78			3/4	7/8	1	1 1/8	1 3/16	1 1/4		1 7/16	1 1/2
51	40BS51	8.410"	8.122"	3 1/2	1 1/8	5.90			3/4	7/8	1	1 1/8	1 3/16	1 1/4		1 7/16	1 1/2
52	40BS52	8.570"	8.281"	3 1/2	1 1/8	5.94			3/4	7/8	1	1 1/8	1 3/16	1 1/4		1 7/16	1 1/2
53	40BS53	8.730"	8.440"	3 1/2	1 1/8	6.12			3/4	7/8	1	1 1/8	1 3/16	1 1/4		1 7/16	1 1/2
54	40BS54	8.880"	8.599"	3 1/2	1 1/8	6.24			3/4	7/8	1	1 1/8	1 3/16	1 1/4		1 7/16	1 1/2
55	40BS55	9.040"	8.758"	3 1/2	1 1/8	6.66			3/4	7/8	1	1 1/8	1 3/16	1 1/4		1 7/16	1 1/2
56	40BS56	9.200"	8.917"	3 1/2	1 1/8	6.71			3/4	7/8	1	1 1/8	1 3/16	1 1/4		1 7/16	1 1/2
57	40BS57	9.360"	9.076"	3 1/2	1 1/8	6.94			3/4	7/8	1	1 1/8	1 3/16	1 1/4		1 7/16	1 1/2
58	40BS58	9.520"	9.236"	3 1/2	1 1/8	7.17			3/4	7/8	1	1 1/8	1 3/16	1 1/4		1 7/16	1 1/2
60	40BS60	9.840"	9.554"	3 1/2	1 1/8	7.68			3/4	7/8	1	1 1/8	1 3/16	1 1/4		1 7/16	1 1/2
72	40BS72	11.750"	11.463"	4	1 1/4	11.30			3/4	7/8	1	1 1/8	1 3/16	1 1/4		1 7/16	1 1/2
96	40BS96	15.570"	15.281"	4	1 1/4	17.44					1	1 1/8	1 3/16	1 1/4		1 7/16	1 1/2

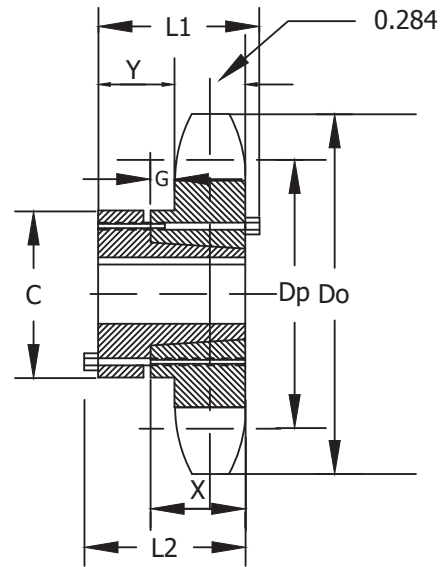
+ Indicates NO keyway. Two setscrews only at 90 degrees

Weight will vary significantly based on bore size

Suffix H indicates Hardened Teeth

40 Sprocket

1/2" Pitch



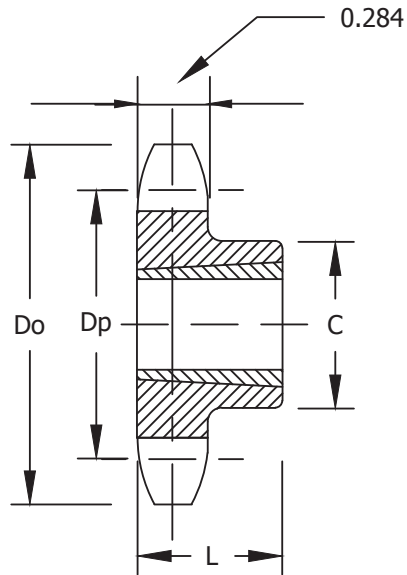
Single - Type QD Style - Bushed

No. of Teeth	Part Number	Bushing	Diameters		Type	Max Bore	Hub Diameter C	Dimensions				Approx Weight Lbs
			Outside Do	Pitch Dp				L1	L2	X	Y	
15	40JA15H	JA	2.650	2.405	B	1 1/4	2 1/16	1	1	9/16	19/32	0.3
16	40JA16H	JA	2.810	2.563	B	1 1/4	2 1/16	1	1	9/16	19/32	0.4
17	40JA17H	JA	2.980	2.721	B	1 1/4	2 3/16	1	1	9/16	19/32	0.5
18	40JA18H	JA	3.140	2.879	B	1 1/4	2 1/4	1	1	9/16	19/32	0.5
19	40JA19H	JA	3.300	3.038	B	1 1/4	2 1/4	1	1	9/16	19/32	0.6
20	40SH20H	SH	3.460	3.196	B	1 5/8	2 3/4	1 3/8	1 3/8	13/16	29/32	0.6
21	40SH21H	SH	3.620	3.355	B	1 5/8	2 3/4	1 3/8	1 3/8	13/16	29/32	0.8
22	40SH22H	SH	3.780	3.513	B	1 5/8	3	1 3/8	1 3/8	13/16	29/32	1.1
23	40SH23H	SH	3.940	3.672	B	1 5/8	3	1 3/8	1 3/8	13/16	29/32	1.1
24	40SH24H	SH	4.100	3.831	B	1 5/8	3	1 3/8	1 3/8	13/16	29/32	1.2
25	40SH25H	SH	4.260	3.989	B	1 5/8	3	1 3/8	1 3/8	13/16	29/32	1.3
26	40SH26H	SH	4.420	4.148	B	1 5/8	3	1 3/8	1 3/8	13/16	29/32	1.4
27	40SH27H	SH	4.580	4.307	B	1 5/8	3	1 3/8	1 3/8	13/16	29/32	1.5
28	40SH28H	SH	4.740	4.466	B	1 5/8	3	1 3/8	1 3/8	13/16	29/32	1.6
30	40SH30H	SH	5.060	4.783	B	1 5/8	3	1 3/8	1 3/8	13/16	29/32	1.7
32	40SH32H	SH	5.380	5.101	B	1 5/8	3	1 3/8	1 3/8	13/16	29/32	1.9
35	40SH35H	SH	5.860	5.578	B	1 5/8	3	1 3/8	1 3/8	13/16	29/32	2.2
36	40SDS36	SDS	6.020	5.737	B	2	3 1/2	1 7/16	1 7/16	3/4	31/32	2.3
40	40SDS40	SDS	6.650	6.373	B	2	3 1/2	1 7/16	1 7/16	3/4	31/32	2.8
42	40SDS42	SDS	6.970	6.691	B	2	3 1/2	1 7/16	1 7/16	3/4	31/32	3.0
45	40SDS45	SDS	7.450	7.168	B	2	3 1/2	1 7/16	1 7/16	3/4	31/32	3.4
48	40SDS48	SDS	7.930	7.645	B	2	3 1/2	1 7/16	1 7/16	3/4	31/32	3.9
54	40SDS54	SDS	8.890	8.599	B	2	3 1/2	1 7/16	1 7/16	3/4	31/32	4.7
60	40SDS60	SDS	9.840	9.554	B	2	3 1/2	1 7/16	1 7/16	3/4	31/32	5.8
70	40SK70	SK	11.430	11.145	B	2 5/8	4 1/4	2 1/16	2 1/16	1 1/4	1 17/32	9.0
72	40SK72	SK	11.750	11.463	B	2 5/8	4 1/4	2 1/16	2 1/16	1 1/4	1 17/32	9.1

Suffix H indicates Hardened Teeth

40 Sprocket

1/2" Pitch



Single - Type TL Style - Bushed

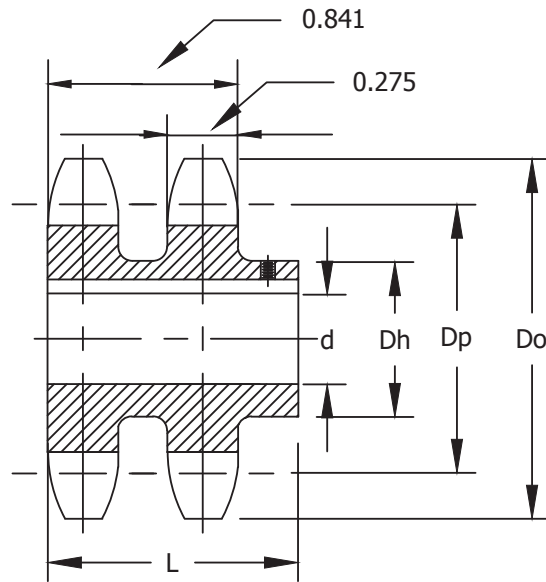
No. of Teeth	Part Number	Bushing	Diameters		Type	Max Bore	Length Thru L	Hub Diameter C	Approx Weight Lbs
			Outside Do	Pitch Dp					
14	40BTL14H	1008	2.490	2.247	B	1	7/8	*1 13/16	0.3
15	40BTL15H	1008	2.650	2.405	B	1	7/8	1 13/16	0.4
16	40BTL16H	1008	2.810	2.563	B	1	7/8	1 15/16	0.5
17	40BTL17H	1210	2.980	2.721	B	1	1	*2 3/8	0.5
18	40BTL18H	1210	3.140	2.879	B	1 1/4	1	*2 15/32	0.6
19	40BTL19H	1210	3.300	3.038	B	1 1/4	1	2 15/32	0.7
20	40BTL20H	1610	3.460	3.196	B	1 5/8	1	*2 25/32	0.7
21	40BTL21H	1610	3.620	3.355	B	1 5/8	1	2 25/32	0.8
22	40BTL22H	1610	3.780	3.513	B	1 5/8	1	2 25/32	0.9
23	40BTL23H	1610	3.940	3.672	B	1 5/8	1	3	1
24	40BTL24H	1610	4.100	3.831	B	1 5/8	1	3 1/4	1.4
25	40BTL25H	1610	4.260	3.989	B	1 5/8	1	3 1/4	1.5
26	40BTL26H	1610	4.420	4.148	B	1 5/8	1	3 1/4	1.7
28	40BTL28H	1610	4.740	4.466	B	1 5/8	1	3	1.8
30	40BTL30H	1610	5.060	4.783	B	1 5/8	1	3	1.9
32	40BTL32	1610	5.380	5.101	B	1 5/8	1	3	1.9
35	40BTL35	1610	5.860	5.578	B	1 5/8	1	3	2.3
36	40BTL36	1610	6.020	5.737	B	1 5/8	1	3	2.4
40	40BTL40	1610	6.650	6.373	B	1 5/8	1	3	2.8
42	40BTL42	1610	6.970	6.691	B	1 5/8	1	3	2.9
45	40BTL45	1610	7.450	7.168	B	1 5/8	1	3	3.5
48	40BTL48	1610	7.930	7.645	B	1 5/8	1	3	4
54	40BTL54	1610	8.890	8.599	B	1 5/8	1	3	4.9
60	40BTL60	1610	9.840	9.554	B	1 5/8	1	3	6
70	40BTL70	2012	11.430	11.145	B	2	1 1/4	3 5/8	8.2

* Indicates has recessed groove in hub for chain clearance.

Suffix H indicates Hardened Teeth

40 Sprocket

1/2" Pitch



Double- Type B (Hub Type) Finished Bore

No. of Teeth	Part Number	Diameters		Hub		Approx Weight Lbs	Stock Finished Bore (includes Keyway and Set Screws)											
		Outside Do	Pitch Dp	Diameter Dh	Length L		+1/2	5/8	3/4	7/8	1	1 1/8	1 3/16	1 1/4	1 3/8	1 7/16	1 1/2	
11	D40BS11H	2.000"	1.775"	1 3/8*	1 1/2	0.62	+1/2	5/8	3/4									
12	D40BS12H	2.170"	1.932"	1 9/16*	1 1/2	0.76	+1/2	5/8	3/4	7/8	1							
13	D40BS13H	2.330"	2.089"	1 9/16	1 1/2	0.86	+1/2	5/8	3/4	7/8	1							
14	D40BS14H	2.490"	2.247"	1 11/16	1 1/2	1.08	+1/2	5/8	3/4	7/8	1							
15	D40BS15H	2.650"	2.405"	1 13/16	1 1/2	1.24	+1/2	5/8	3/4	7/8	1	1 1/8	1 3/16	1 1/4				
16	D40BS16H	2.810"	2.563"	2	1 1/2	1.42		5/8	3/4	7/8	1	1 1/8	1 3/16	1 1/4				
17	D40BS17H	2.970"	2.721"	2 1/8	1 1/2	1.64		5/8	3/4	7/8	1	1 1/8	1 3/16	1 1/4				
18	D40BS18H	3.140"	2.879"	2 5/16	1 1/2	1.92		5/8	3/4	7/8	1	1 1/8	1 3/16	1 1/4	1 3/8	1 7/16	1 1/2	
19	D40BS19H	3.300"	3.038"	2 1/2	1 1/2	2.22		5/8	3/4	7/8	1	1 1/8	1 3/16	1 1/4	1 3/8	1 7/16	1 1/2	
20	D40BS20H	3.460"	3.196"	2 5/8	1 5/8	2.64		5/8	3/4	7/8	1	1 1/8	1 3/16	1 1/4	1 3/8	1 7/16	1 1/2	
21	D40BS21H	3.620"	3.355"	2 3/4	1 5/8	2.95		5/8	3/4	7/8	1	1 1/8	1 3/16	1 1/4	1 3/8	1 7/16	1 1/2	
22	D40BS22H	3.780"	3.513"	2 7/8	1 5/8	3.17		5/8	3/4	7/8	1	1 1/8	1 3/16	1 1/4	1 3/8	1 7/16	1 1/2	
23	D40BS23H	3.940"	3.672"	3	1 5/8	3.52		5/8	3/4	7/8	1	1 1/8	1 3/16	1 1/4	1 3/8	1 7/16	1 1/2	
24	D40BS24H	4.100"	3.831"	3 1/4	1 5/8	4.04		5/8	3/4	7/8	1	1 1/8	1 3/16	1 1/4	1 3/8	1 7/16	1 1/2	
25	D40BS25H	4.260"	3.989"	3 1/4	1 5/8	4.26		5/8	3/4	7/8	1	1 1/8	1 3/16	1 1/4		1 7/16	1 1/2	
26	D40BS26	4.420"	4.148"	3 1/4	1 5/8	4.48		5/8	3/4	7/8	1	1 1/8	1 3/16	1 1/4		1 7/16	1 1/2	
30	D40BS30	5.060"	4.783"	3 1/4	1 5/8	5.34		5/8	3/4	7/8	1	1 1/8	1 3/16	1 1/4		1 7/16	1 1/2	
35	D40BS35	5.860"	5.578"	3 1/4	1 5/8	6.80		5/8	3/4	7/8	1	1 1/8	1 3/16	1 1/4		1 7/16	1 1/2	
36	D40BS36	6.020"	5.737"	3 1/4	1 5/8	7.20		5/8	3/4	7/8	1	1 1/8	1 3/16	1 1/4		1 7/16	1 1/2	
40	D40BS40	6.650"	6.373"	3 1/2	1 3/4	9.40			3/4	7/8	1	1 1/8	1 3/16	1 1/4		1 7/16	1 1/2	
42	D40BS42	6.970"	6.691"	3 1/2	1 3/4	10.20			3/4	7/8	1	1 1/8	1 3/16	1 1/4		1 7/16	1 1/2	
45	D40BS45	7.450"	7.168"	3 1/2	1 3/4	11.36			3/4	7/8	1	1 1/8	1 3/16	1 1/4		1 7/16	1 1/2	
48	D40BS48	7.930"	7.645"	3 1/2	1 3/4	12.66			3/4	7/8	1	1 1/8	1 3/16	1 1/4		1 7/16	1 1/2	
52	D40BS52	8.570"	8.281"	3 1/2	1 3/4	14.46			3/4	7/8	1	1 1/8	1 3/16	1 1/4		1 7/16	1 1/2	
54	D40BS54	8.880"	8.599"	3 1/2	1 3/4	15.48			3/4	7/8	1	1 1/8	1 3/16	1 1/4		1 7/16	1 1/2	
60	D40BS60	9.840"	9.554"	3 1/2	1 3/4	18.60			3/4	7/8	1	1 1/8	1 3/16	1 1/4		1 7/16	1 1/2	

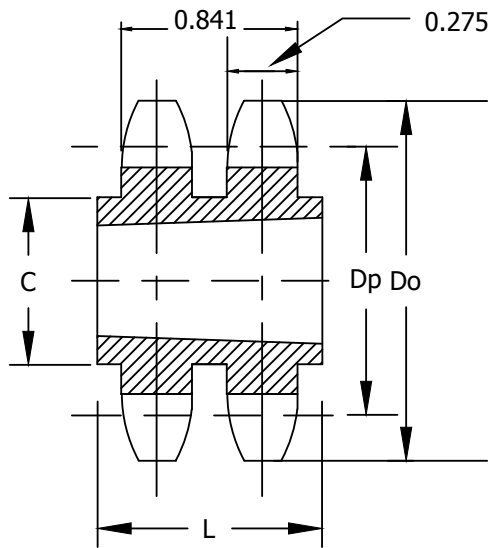
+ Indicates NO keyway. Two setscrews only at 90 degrees

Weight will vary significantly based on bore size

Suffix H indicates Hardened Teeth

40 Sprocket

1/2" Pitch



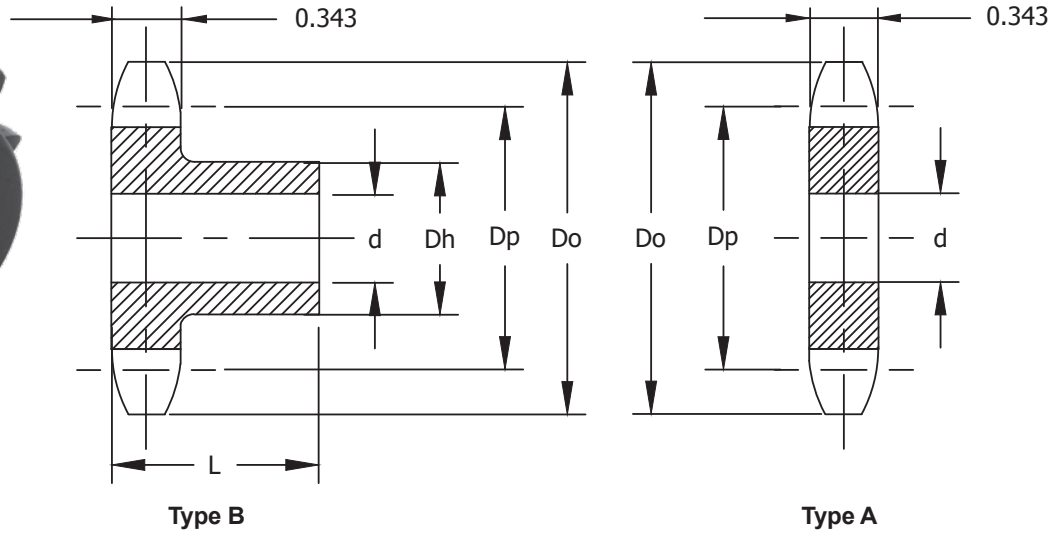
Double - Tapered Bush Type

No. of Teeth	Part Number	Bushing	Diameters		Type	Max Bore	Length Thru L	Hub Diameter C	Approx Weight Lbs
			Outside Do	Pitch Dp					
18	D40BTL18H	1210	3.140"	2.879"	B	1 1/4	1	2 5/16	0.60
19	D40BTL19H	1210	3.300"	3.038"	B	1 1/4	1	2 1/2	0.90
20	D40BTL20H	1610	3.460"	3.196"	B	1 5/8	1	2 5/8	0.90
21	D40BTL21H	1610	3.620"	3.355"	B	1 5/8	1	2 3/4	1.00
23	D40BTL23H	1610	3.940"	3.672"	B	1 5/8	1	3	1.30
25	D40BTL25H	2012	4.260"	3.989"	B	2	1 1/4	3 13/32	1.60
30	D40BTL30	2012	5.060"	4.783"	B	2	1 1/4	4 15/64	3.40
36	D40BTL36	2012	6.020"	5.737"	B	2	1 1/4	5 5/32	5.90
42	D40CTL42	2517	6.970"	6.691"	C	2 1/2	1 3/4	4 1/4	7.00
48	D40CTL48	2517	7.930"	7.645"	C	2 1/2	1 3/4	4 1/4	9.60
52	D40CTL52	2517	8.570"	8.281"	C	2 1/2	1 3/4	4 1/4	11.40
60	D40CTL60	2517	9.840"	9.554"	C	2 1/2	1 3/4	4 1/4	15.40

Suffix H indicates Hardened Teeth

50 Sprocket

5/8" Pitch



Single - Type B (Hub Type)

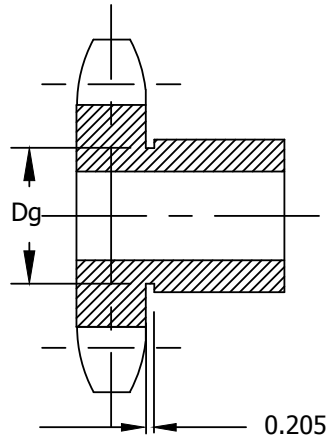
Single - Type A (Plate Type)

No. of Teeth	Part Number	Diameters		Bore		Hub		Approx Weight Lbs	Part Number	Stock Bore	Approx Weight Lbs
		Outside Do	Pitch Dp	Stock	Rec. Maximum	Diameter Dh	Length Thru L				
9	50B09H	2.090	1.827	5/8	3/4	1 3/8*	1	.36			
10	50B10H	2.300	2.023	5/8	7/8	1 9/16*	1	.48			
11	50B11H	2.500	2.219	5/8	1	1 3/4*	1	.64			
12	50B12H	2.710	2.415	5/8	1 1/4	1 63/64*	1	.83	50A12H	5/8	.34
13	50B13H	2.910	2.612	5/8	1 5/16	1 7/8	1	.88	50A13H	5/8	.42
14	50B14H	3.110	2.803	5/8	1 7/16	2 1/8	1	1.13	50A14H	5/8	.50
15	50B15H	3.320	3.006	5/8	1 1/2	2 3/8	1	1.34	50A15H	5/8	.54
16	50B16H	3.520	3.204	5/8	1 3/4	2 1/2	1	1.51	50A16H	5/8	.68
17	50B17H	3.720	3.401	5/8	1 7/8	2 11/16	1	1.74	50A17H	5/8	.76
18	50B18H	3.920	3.599	5/8	1 7/8	2 7/8	1	2.00	50A18H	5/8	.86
19	50B19H	4.120	3.797	5/8	2	3	1	2.22	50A19H	5/8	.94
20	50B20H	4.320	3.995	3/4	2	3	1	2.28	50A20H	3/4	1.06
21	50B21H	4.520	4.194	3/4	2	3	1	2.40	50A21H	3/4	1.12
22	50B22H	4.720	4.392	3/4	2	3	1	2.56	50A22H	3/4	1.30
23	50B23H	4.920	4.59	3/4	2	3	1	2.66	50A23H	3/4	1.44
24	50B24H	5.120	4.788	3/4	2	3	1 1/4	3.30	50A24H	23/32	1.50
25	50B25H	5.320	4.987	3/4	2	3	1 1/4	3.40	50A25H	23/32	1.62
26	50B26H	5.520	5.185	3/4	2	3	1 1/4	3.44	50A26H	23/32	1.72
27	50B27H	5.720	5.384	3/4	2	3	1 1/4	3.74	50A27H	23/32	1.96
28	50B28H	5.920	5.582	3/4	2	3	1 1/4	3.80	50A28H	23/32	2.04
29	50B29H	6.120	5.781	3/4	2	3	1 1/4	4.06	50A29H	23/32	2.36

Chart continues on next page

50 Sprocket

5/8" Pitch



* Indicates has recessed groove in hub for chain clearance.
Groove diameter Dg is indicated below:

Part #	Dg (in.)
50B09H	1.069
50B10H	1.276
50B11H	1.469
50B12H	1.685

Single - Type B (Hub Type)

Single - Type A (PlateType)

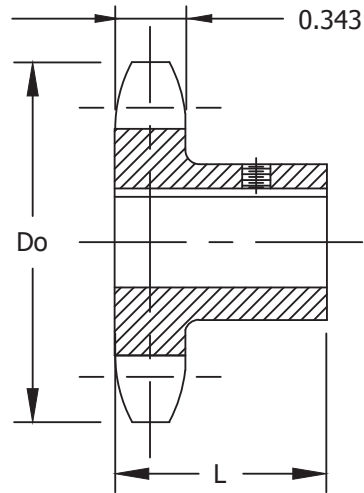
No. of Teeth	Part Number	Diameters		Bore		Hub		Approx Weight Lbs	Part Number	Stock Bore	Approx Weight Lbs
		Outside Do	Pitch Dp	Stock	Rec. Maximum	Diameter Dh	Length Thru L				
30	50B30H	6.320	5.979	3/4	2 1/4	3 1/4	1 1/4	4.56	50A30H	23/32	2.54
31	50B31H	6.520	6.178	3/4	2 1/4	3 1/4	1 1/4	4.74	50A31H	23/32	2.80
32	50B32H	6.720	6.376	3/4	2 1/4	3 1/4	1 1/4	4.96	50A32H	23/32	2.72
33	50B33H	6.920	6.575	3/4	2 1/4	3 1/4	1 1/4	5.20	50A33H	23/32	3.14
34	50B34H	7.120	6.774	3/4	2 1/4	3 1/4	1 1/4	5.14	50A34H	23/32	3.20
35	50B35H	7.320	6.972	3/4	2 1/4	3 1/4	1 1/4	5.44	50A35H	23/32	3.34
36	50B36	7.520	7.171	3/4	2 1/4	3 1/4	1 1/4	5.64	50A36	23/32	3.82
37	50B37	7.720	7.37	3/4	2 1/4	3 1/4	1 1/4	5.90	50A37	23/32	3.98
38	50B38	7.920	7.569	3/4	2 1/4	3 1/4	1 1/4	6.08	50A38	23/32	4.14
39	50B39	8.120	7.767	3/4	2 1/4	3 1/4	1 1/4	6.30	50A39	23/32	4.42
40	50B40	8.320	7.966	3/4	2 1/4	3 1/4	1 1/4	6.50	50A40	23/32	4.46
45	50B45	9.310	8.96	3/4	2 1/2	3 3/4	1 1/4	8.58	50A45	23/32	5.92
50	50B50	10.310	9.954	1	2 1/2	3 3/4	1 1/4	9.88	50A50	15/16	7.10
52	50B52	10.710	10.351	1	2 1/2	3 3/4	1 1/4	10.24	50A52	15/16	7.98
58	50B58	11.900	11.544	1	2 1/2	3 3/4	1 1/4	11.82	50A58	15/16	10.30
60	50B60	12.300	11.942	1	2 1/2	3 3/4	1 1/4	13.00	50A60	15/16	10.80
70	50B70	14.290	13.931	1	2 1/2	3 3/4	1 3/4	18.16	50A70	15/16	14.00
72	50B72	14.690	14.329	1	2 1/2	3 3/4	1 3/4	19.48	50A72	15/16	15.24
80	50B80	16.280	15.92	1	2 3/4	4 1/4	1 3/4	24.74	50A80	15/16	21.00
84	50B84	17.080	16.715	1	2 3/4	4 1/4	1 3/4	25.50	50A84	15/16	22.08

* Indicates has recessed groove in hub for chain clearance. For dimensions refer to the table on page 267.

Suffix H indicates Hardened Teeth

50 Sprocket

5/8" Pitch



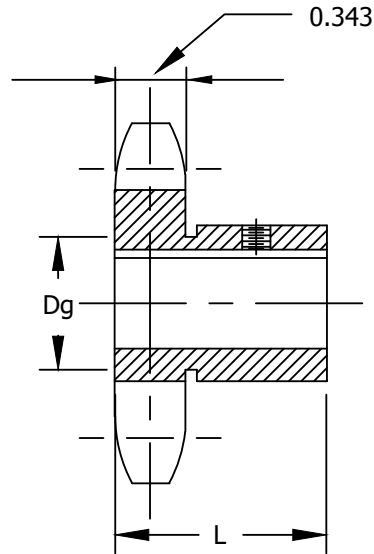
Single - Type BS (Hub Type) Finished Bore - Keyway with 2 Set Screws

No. of Teeth	Part Number	Diameters		Hub		Approx Weight Lbs	Stock Finished Bore (includes Keyway and Set Screws)														
		Outside Do	Pitch Dp	Diameter Dh	Length L																
9	50BS09H	2.090"	1.827"	1 3/8*	1	.30	5/8	3/4													
10	50BS10H	2.300"	2.023"	1 9/16*	1	.30	5/8	3/4	7/8	1++											
11	50BS11H	2.500"	2.219"	1 3/4*	1	.60	5/8	3/4	7/8	1											
12	50BS12H	2.710"	2.415"	1 63/64*	1	.70	5/8	3/4	7/8	1	1 1/8	1 3/16	1 1/4								
13	50BS13H	2.910"	2.612"	1 7/8	1	.80	5/8	3/4	7/8	1	1 1/8	1 3/16	1 1/4								
14	50BS14H	3.110"	2.803"	2 1/8	1	1.00	5/8	3/4	7/8	1	1 1/8	1 3/16	1 1/4								
15	50BS15H	3.320"	3.006"	2 3/8	1	1.20	5/8	3/4	7/8	1	1 1/8	1 3/16	1 1/4	1 3/8	1 7/16	1 1/2					
16	50BS16H	3.520"	3.204"	2 1/2	1	1.45	5/8	3/4	7/8	1	1 1/8	1 3/16	1 1/4	1 3/8	1 7/16	1 1/2	1 5/8				
17	50BS17H	3.720"	3.401"	2 11/16	1	1.60	5/8	3/4	7/8	1	1 1/8	1 3/16	1 1/4	1 3/8	1 7/16	1 1/2	1 5/8				
18	50BS18H	3.920"	3.599"	2 7/8	1	1.90	5/8	3/4	7/8	1	1 1/8	1 3/16	1 1/4	1 3/8	1 7/16	1 1/2	1 5/8				
19	50BS19H	4.120"	3.797"	3	1	2.00	5/8	3/4	7/8	1	1 1/8	1 3/16	1 1/4	1 3/8	1 7/16	1 1/2	1 5/8				
20	50BS20H	4.320"	3.995"	3	1	2.10		3/4	7/8	1	1 1/8	1 3/16	1 1/4	1 3/8	1 7/16	1 1/2	1 5/8				
21	50BS21H	4.520"	4.194"	3	1	2.25		3/4	7/8	1	1 1/8	1 3/16	1 1/4	1 3/8	1 7/16	1 1/2	1 5/8				
22	50BS22H	4.720"	4.392"	3	1	2.40		3/4	7/8	1	1 1/8	1 3/16	1 1/4	1 3/8	1 7/16	1 1/2	1 5/8				
23	50BS23H	4.920"	4.590"	3	1	2.50		3/4	7/8	1	1 1/8	1 3/16	1 1/4	1 3/8	1 7/16	1 1/2	1 5/8				
24	50BS24H	5.120"	4.788"	3	1 1/4	3.00		3/4	7/8	1	1 1/8	1 3/16	1 1/4	1 3/8	1 7/16	1 1/2					
25	50BS25H	5.320"	4.987"	3	1 1/4	3.10		3/4	7/8	1	1 1/8	1 3/16	1 1/4	1 3/8	1 7/16	1 1/2					
26	50BS26H	5.520"	5.185"	3	1 1/4	3.30		3/4	7/8	1	1 1/8	1 3/16	1 1/4	1 3/8	1 7/16	1 1/2					
27	50BS27H	5.720"	5.384"	3	1 1/4	3.46		3/4	7/8	1	1 1/8	1 3/16	1 1/4	1 3/8	1 7/16	1 1/2					
28	50BS28H	5.920"	5.582"	3	1 1/4	3.60		3/4	7/8	1	1 1/8	1 3/16	1 1/4	1 3/8	1 7/16	1 1/2					
29	50BS29H	6.120"	5.781"	3	1 1/4	3.78		3/4	7/8	1	1 1/8	1 3/16	1 1/4	1 3/8	1 7/16	1 1/2					

Chart continues on next page

50 Sprocket

5/8" Pitch



* Indicates has recessed groove in hub for chain clearance.
Groove diameter Dg is indicated below:

Part #	Dg (in.)
50B09H	1.069
50B10H	1.276
50B11H	1.469
50B12H	1.685

Single - Type BS (Hub Type) Finished Bore - Keyway with 2 Set Screws

No. of Teeth	Part Number	Diameters		Hub		Approx Weight Lbs	Stock Finished Bore (includes Keyway and Set Screws)										
		Outside Do	Pitch Dp	Diameter Dh	Length L		3/4	7/8	1	1 1/8	1 3/16	1 1/4	1 3/8	1 7/16	1 1/2		
30	50BS30H	6.320"	5.979"	3 1/4	1 1/4	3.90	3/4	7/8	1	1 1/8	1 3/16	1 1/4	1 3/8	1 7/16	1 1/2		
31	50BS31H	6.520"	6.178"	3 1/4	1 1/4	4.46	3/4	7/8	1	1 1/8	1 3/16	1 1/4	1 3/8	1 7/16	1 1/2		
32	50BS32H	6.720"	6.376"	3 1/4	1 1/4	4.70	3/4	7/8	1	1 1/8	1 3/16	1 1/4	1 3/8	1 7/16	1 1/2		
33	50BS33H	6.920"	6.575"	3 1/4	1 1/4	4.92	3/4	7/8	1	1 1/8	1 3/16	1 1/4	1 3/8	1 7/16	1 1/2	1 3/4	1 15/16
34	50BS34H	7.120"	6.774"	3 1/4	1 1/4	5.06	3/4	7/8	1	1 1/8	1 3/16	1 1/4	1 3/8	1 7/16	1 1/2	1 3/4	1 15/16
35	50BS35H	7.320"	6.972"	3 1/4	1 1/4	5.30	3/4	7/8	1	1 1/8	1 3/16	1 1/4	1 3/8	1 7/16	1 1/2	1 3/4	1 15/16
36	50BS36	7.520"	7.171"	3 1/4	1 1/4	5.50	3/4	7/8	1	1 1/8	1 3/16	1 1/4	1 3/8	1 7/16	1 1/2	1 3/4	1 15/16
37	50BS37	7.720"	7.370"	3 1/4	1 1/4	5.62	3/4	7/8	1	1 1/8	1 3/16	1 1/4	1 3/8	1 7/16	1 1/2	1 3/4	1 15/16
38	50BS38	7.920"	7.569"	3 1/4	1 1/4	5.80	3/4	7/8	1	1 1/8	1 3/16	1 1/4	1 3/8	1 7/16	1 1/2	1 3/4	1 15/16
39	50BS39	8.120"	7.767"	3 1/4	1 1/4	6.02	3/4	7/8	1	1 1/8	1 3/16	1 1/4	1 3/8	1 7/16	1 1/2	1 3/4	1 15/16
40	50BS40	8.320"	7.966"	3 1/4	1 1/4	6.20	3/4	7/8	1	1 1/8	1 3/16	1 1/4	1 3/8	1 7/16	1 1/2	1 3/4	1 15/16
42	50BS42	8.720"	8.363"	3 1/4	1 1/4	6.68	3/4	7/8	1	1 1/8	1 3/16	1 1/4	1 3/8	1 7/16	1 1/2	1 3/4	1 15/16
45	50BS45	9.310"	8.960"	3 3/4	1 1/4	8.00	3/4	7/8	1	1 1/8	1 3/16	1 1/4	1 3/8	1 7/16	1 1/2	1 3/4	1 15/16
50	50BS50	10.310"	9.954"	3 3/4	1 1/4	9.63			1	1 1/8	1 3/16	1 1/4	1 3/8	1 7/16	1 1/2	1 3/4	1 15/16
52	50BS52	10.710"	10.351"	3 3/4	1 1/4	9.99			1	1 1/8	1 3/16	1 1/4	1 3/8	1 7/16	1 1/2	1 3/4	1 15/16
58	50BS58	11.900"	11.544"	3 3/4	1 1/4	12.08			1	1 1/8	1 3/16	1 1/4	1 3/8	1 7/16	1 1/2	1 3/4	1 15/16
60	50BS60	12.300"	11.942"	3 3/4	1 1/4	13.50			1	1 1/8	1 3/16	1 1/4	1 3/8	1 7/16	1 1/2	1 3/4	1 15/16
70	50BS70	14.290"	13.931"	3 3/4	1 3/4	17.81			1	1 1/8	1 3/16	1 1/4	1 3/8	1 7/16	1 1/2	1 3/4	1 15/16
72	50BS72	14.690"	14.329	3 3/4	1 3/4	19.13			1	1 1/8	1 3/16	1 1/4	1 3/8	1 7/16	1 1/2	1 3/4	1 15/16
80	50BS80	16.280"	15.920"	4 1/4	1 3/4	24.39			1	1 1/8	1 3/16	1 1/4	1 3/8	1 7/16	1 1/2	1 3/4	1 15/16
84	50BS84	17.080"	16.715"	4 1/4	1 3/4	25.15			1	1 1/8	1 3/16	1 1/4	1 3/8	1 7/16	1 1/2	1 3/4	1 15/16

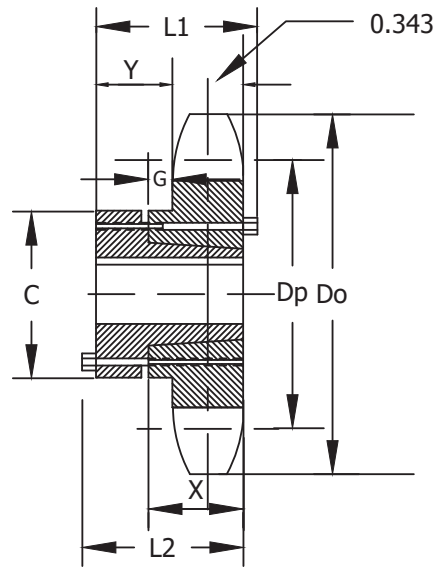
Suffix H indicates Hardened Teeth

Weight will vary significantly based on bore size

++ Indicates keyway with setscrew at 90 degrees and 180 degrees from k

50 Sprocket

5/8" Pitch



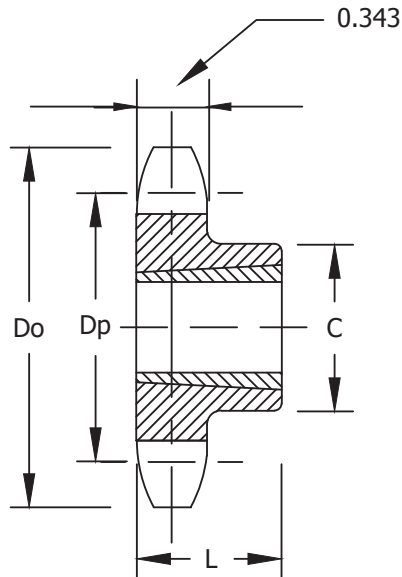
Single - Type QD Style - Bushed

No. of Teeth	Part Number	Bushing	Diameters		Type	Max Bore	Hub Diameter C	Dimensions				Approx Weight Lbs
			Outside Do	Pitch Dp				L1	L2	X	Y	
14	50JA14H	JA	3.110	2.803	B	1 1/4	2 1/8	1	1	1 1/8	17/32	0.50
15	50JA15H	JA	3.320	3.006	B	1 1/4	2 1/4	1	1	1 1/8	17/32	0.60
16	50JA16H	JA	3.520	3.204	B	1 1/4	2 1/4	1	1	1 1/8	17/32	0.70
17	50SH17H	SH	3.720	3.401	B	1 11/16	2 3/4	1 3/8	1 3/8	1 1/2	27/32	0.80
18	50SH18H	SH	3.920	3.599	B	1 11/16	2 7/8	1 3/8	1 3/8	1 1/2	27/32	1.00
19	50SH19H	SH	4.120	3.797	B	1 11/16	3	1 3/8	1 3/8	1 1/2	27/32	1.00
20	50SDS20H	SDS	4.320	3.995	B	2	3 5/16	1 7/16	1 7/16	1 1/2	29/32	1.20
21	50SDS21H	SDS	4.520	4.194	B	2	3 1/2	1 7/16	1 7/16	1 1/2	29/32	1.50
22	50SDS22H	SDS	4.720	4.392	B	2	3 1/2	1 7/16	1 7/16	1 1/2	29/32	1.60
23	50SDS23H	SDS	4.920	4.59	B	2	3 1/2	1 7/16	1 7/16	1 1/2	29/32	1.70
24	50SDS24H	SDS	5.120	4.788	B	2	3 5/8	1 7/16	1 7/16	1 1/2	29/32	1.90
25	50SDS25H	SDS	5.320	4.987	B	2	3 5/8	1 7/16	1 7/16	1 1/2	29/32	2.00
26	50SDS26H	SDS	5.520	5.185	B	2	3 5/8	1 7/16	1 7/16	1 1/2	29/32	2.10
27	50SDS27H	SDS	5.720	5.384	B	2	3 5/8	1 7/16	1 7/16	1 1/2	29/32	2.30
28	50SDS28H	SDS	5.920	5.582	B	2	3 5/8	1 7/16	1 7/16	1 1/2	29/32	2.50
30	50SDS30	SDS	6.320	5.979	B	2	3 5/8	1 7/16	1 7/16	1 1/2	29/32	2.70
32	50SDS32	SDS	6.720	6.376	B	2	3 5/8	1 7/16	1 7/16	1 1/2	29/32	3.10
35	50SDS35	SDS	7.320	6.972	B	2	3 5/8	1 7/16	1 7/16	1 1/2	29/32	3.70
36	50SDS36	SDS	7.520	7.171	B	2	3 5/8	1 7/16	1 7/16	1 1/2	29/32	3.80
40	50SDS40	SDS	8.320	7.966	B	2	3 5/8	1 7/16	1 7/16	1 1/2	29/32	4.70
45	50SDS45	SDS	9.310	8.96	B	2	3 5/8	1 7/16	1 7/16	1 1/2	29/32	5.10
48	50SDS48	SDS	9.910	9.556	B	2	3 5/8	1 7/16	1 7/16	1 1/2	29/32	5.80

Suffix H indicates Hardened Teeth

50 Sprocket

5/8" Pitch



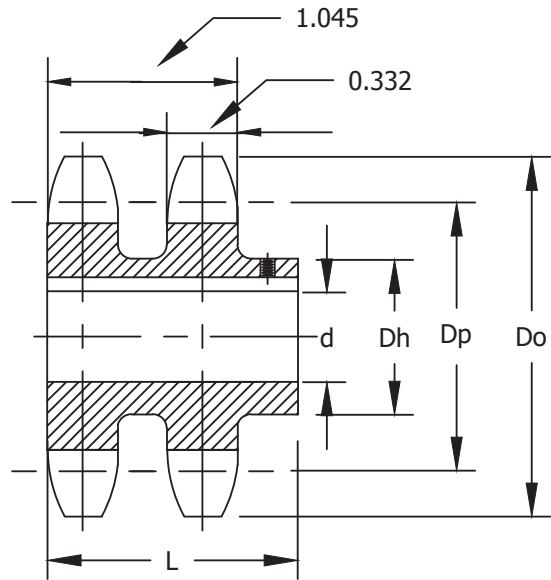
Single - Type TL Style - Bushed

No. of Teeth	Part Number	Bushing	Diameters		Type	Max Bore	Length Thru L	Hub Diameter C	Approx Weight Lbs
			Outside Do	Pitch Dp					
12	50BTL12H	1008	2.710	2.415	B	1	7/8	1 15/16*	0.50
13	50BTL13H	1008	2.910	2.612	B	1	7/8	1 15/16	0.60
14	50BTL14H	1008	3.110	2.803	B	1	7/8	1 15/16	0.70
15	50BTL15H	1210	3.320	3.006	B	1 1/4	1	2 15/32*	0.70
16	50BTL16H	1610	3.520	3.204	B	1 5/8	1	2 25/32*	0.80
17	50BTL17H	1610	3.720	3.401	B	1 5/8	1	2 25/32*	0.80
18	50BTL18H	1610	3.920	3.599	B	1 5/8	1	2 25/32	0.90
19	50BTL19H	1610	4.120	3.797	B	1 5/8	1	3	1.30
20	50BTL20H	1610	4.320	3.995	B	1 5/8	1	3 1/4	1.60
21	50BTL21H	1610	4.520	4.194	B	1 5/8	1	3	1.50
22	50BTL22H	1610	4.720	4.392	B	1 5/8	1	3	1.60
23	50BTL23H	2012	4.920	4.59	B	2	1 1/4	3 5/8	2.00
24	50BTL24H	2012	5.120	4.788	B	2	1 1/4	3 5/8	2.20
25	50BTL25H	2012	5.320	4.987	B	2	1 1/4	3 5/8	2.40
26	50BTL26H	2012	5.520	5.185	B	2	1 1/4	3 5/8	2.50
27	50BTL27H	2012	5.720	5.384	B	2	1 1/4	3 5/8	2.60
28	50BTL28H	2012	5.920	5.582	B	2	1 1/4	3 5/8	2.80
30	50BTL30	2012	6.320	5.979	B	2	1 1/4	3 5/8	3.20
32	50BTL32	2012	6.720	6.376	B	2	1 1/4	3 5/8	3.60
35	50BTL35	2012	7.320	6.972	B	2	1 1/4	3 5/8	4.20
36	50BTL36	2012	7.520	7.171	B	2	1 1/4	3 5/8	4.30
40	50BTL40	2012	8.320	7.966	B	2	1 1/4	3 5/8	5.20
41	50BTL41	2012	8.520	8.165	B	2	1 1/4	3 5/8	5.90
42	50BTL42	2012	8.720	8.363	B	2	1 1/4	3 5/8	6.50
48	50BTL48	2012	9.910	9.556	B	2	1 1/4	3 5/8	7.30
54	50BTL54	2012	11.110	10.749	B	2	1 1/4	3 5/8	9.00
60	50BTL60	2012	12.300	11.942	B	2	1 1/4	3 5/8	10.80

* Indicates has recessed groove in hub for chain clearance.

50 Sprocket

5/8" Pitch



Double- Type B (Hub Type) Finished Bore

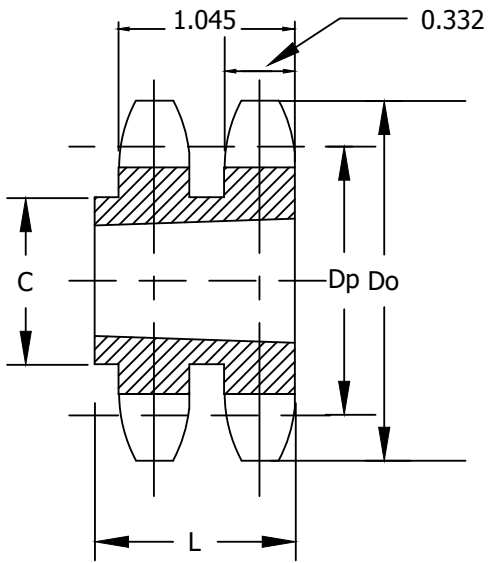
No. of Teeth	Part Number	Diameters		Hub		Approx Weight Lbs	Stock Finished Bore (includes Keyway and Set Screws)																
		Outside Do	Pitch Dp	Diameter Dh	Length L																		
11	D50BS11H	2.500"	2.219"		1 3/4	0.96	5/8	3/4	7/8	1													
12	D50BS12H	2.710"	2.415"		1 3/4	1.25	5/8	3/4	7/8	1	1 1/8	1 3/16	1 1/4										
13	D50BS13H	2.910"	2.612"		1 3/4	1.56	5/8	3/4	7/8	1	1 1/8	1 3/16	1 1/4										
14	D50BS14H	3.110"	2.803"		1 3/4	1.86	5/8	3/4	7/8	1	1 1/8	1 3/16	1 1/4										
15	D50BS15H	3.320"	3.006"		1 3/4	2.22	5/8	3/4	7/8	1	1 1/8	1 3/16	1 1/4	1 3/8	1 7/16	1 1/2							
16	D50BS16H	3.520"	3.204"		1 3/4	2.62	5/8	3/4	7/8	1	1 1/8	1 3/16	1 1/4	1 3/8	1 7/16	1 1/2	1 5/8						
17	D50BS17H	3.720"	3.401"		1 3/4	3.04	5/8	3/4	7/8	1	1 1/8	1 3/16	1 1/4	1 3/8	1 7/16	1 1/2	1 5/8						
18	D50BS18H	3.920"	3.599"		1 3/4	3.58	5/8	3/4	7/8	1	1 1/8	1 3/16	1 1/4	1 3/8	1 7/16	1 1/2	1 5/8						
19	D50BS19H	4.120"	3.797"		1 3/4	3.90	5/8	3/4	7/8	1	1 1/8	1 3/16	1 1/4	1 3/8	1 7/16	1 1/2	1 5/8						
20	D50BS20H	4.320"	3.995"		1 3/4	4.26		3/4	7/8	1	1 1/8	1 3/16	1 1/4	1 3/8	1 7/16	1 1/2	1 5/8						
21	D50BS21H	4.520"	4.194"		1 3/4	4.90		3/4	7/8	1	1 1/8	1 3/16	1 1/4	1 3/8	1 7/16	1 1/2	1 5/8						
22	D50BS22H	4.720"	4.392"		1 3/4	5.58		3/4	7/8	1	1 1/8	1 3/16	1 1/4	1 3/8	1 7/16	1 1/2	1 5/8						
23	D50BS23H	4.920"	4.590"		1 7/8	6.10		3/4	7/8	1	1 1/8	1 3/16	1 1/4	1 3/8	1 7/16	1 1/2	1 5/8						
24	D50BS24H	5.120"	4.788"		1 7/8	6.50		3/4	7/8	1	1 1/8	1 3/16	1 1/4	1 3/8	1 7/16	1 1/2							
25	D50BS25H	5.320"	4.987"		1 7/8	6.94		3/4	7/8	1	1 1/8	1 3/16	1 1/4	1 3/8	1 7/16	1 1/2							
26	D50BS26	5.520"	5.185"		1 7/8	7.54		3/4	7/8	1	1 1/8	1 3/16	1 1/4	1 3/8	1 7/16	1 1/2							
30	D50BS30	6.320"	5.979"		1 7/8	9.40		3/4	7/8	1	1 1/8	1 3/16	1 1/4	1 3/8	1 7/16	1 1/2							
32	D50BS32	6.720"	6.376"		1 7/8	10.46		3/4	7/8	1	1 1/8	1 3/16	1 1/4	1 3/8	1 7/16	1 1/2							
35	D50BS35	7.320"	6.972"		1 7/8	12.28		3/4	7/8	1	1 1/8	1 3/16	1 1/4	1 3/8	1 7/16	1 1/2					1 3/4	1 15/16	
36	D50BS36	7.520"	7.171"		1 7/8	13.94		3/4	7/8	1	1 1/8	1 3/16	1 1/4	1 3/8	1 7/16	1 1/2					1 3/4	1 15/16	
40	D50BS40	8.320"	7.966"		1 7/8	16.54		3/4	7/8	1	1 1/8	1 3/16	1 1/4	1 3/8	1 7/16	1 1/2					1 3/4	1 15/16	

Suffix H indicates Hardened Teeth

Weight will vary significantly based on bore size

50 Sprocket

5/8" Pitch



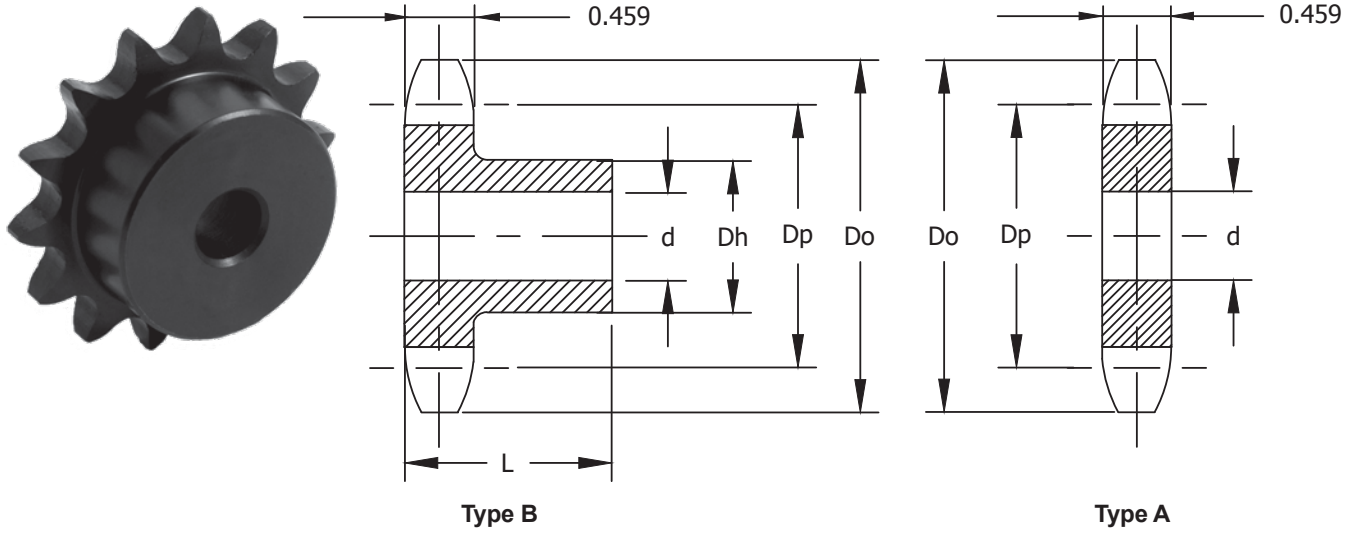
Double- Type B (Hub Type) Finished Bore

No. of Teeth	Part Number	Bushing	Diameters		Type	Max Bore	Length Thru L	Hub Diameter C	Approx Weight Lbs
			Outside Do	Pitch Dp					
21	D50BTL21H	1610	4.522"	4.194"	B	2	1 1/4	3 1/2	2.00
25	D50BTL25H	2012	5.322"	4.987"	B	2	1 1/4	4 9/32	3.80
30	D50BTL30	2012	6.321"	5.979"	B	2 1/2	1 3/4	5 9/32	7.50
36	D50CTL36	2012	7.519"	7.171"	C	2 1/2	1 3/4	4 1/4	9.30
42	D50CTL42	2012	8.715"	8.363"	C	2 1/2	1 3/4	4 1/4	13.40
60	D50CTL60	2012	12.301"	11.942"	C	2 1/2	1 3/4	4 3/8	30.00

Suffix H indicates Hardened Teeth

60 Sprocket

3/4" Pitch



Single - Type B (Hub Type)

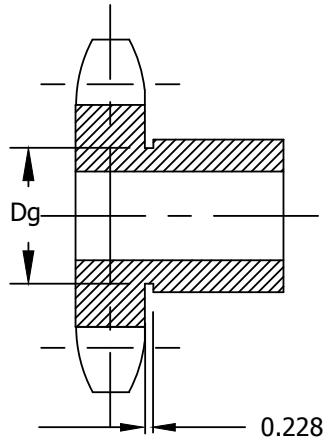
Single - Type A (Plate Type)

No. of Teeth	Part Number	Diameters		Bore		Hub		Approx Weight Lbs	Part Number	Stock Bore	Approx Weight Lbs
		Outside Do	Pitch Dp	Stock	Rec. Maximum	Diameter Dh	Length Thru L				
9	60B09H	2.510	2.193	3/4	7/8	1 9/16*	1 1/4	.64			
10	60B10H	2.760	2.427	3/4	1 1/8	1 15/16*	1 1/4	.99	60A10H	3/4	.44
11	60B11H	3.000	2.663	3/4	1 5/16	2 1/16*	1 1/4	1.16	60A11H	3/4	.54
12	60B12H	3.250	2.898	3/4	1 3/8	2 3/8	1 1/4	1.47	60A12H	3/4	.68
13	60B13H	3.490	3.134	3/4	1 1/2	2 11/32	1 1/4	1.66	60A13H	3/4	.80
14	60B14H	3.740	3.371	3/4	1 3/4	2 9/16	1 1/4	2.00	60A14H	3/4	.94
15	60B15H	3.980	3.608	3/4	1 7/8	2 7/8	1 1/4	2.51	60A15H	3/4	1.08
16	60B16H	4.220	3.845	3/4	2	3 1/16	1 1/4	2.81	60A16H	3/4	1.24
17	60B17H	4.460	4.082	3/4	2 1/4	3 1/4	1 1/4	3.22	60A17H	3/4	1.44
18	60B18H	4.700	4.319	3/4	2 3/8	3 1/2	1 1/4	3.72	60A18H	3/4	1.62
19	60B19H	4.950	4.557	3/4	2 3/8	3 1/2	1 1/4	3.92	60A19H	3/4	1.84
20	60B20H	5.190	4.794	3/4	2 5/8	3 7/8	1 1/4	4.63	60A20H	3/4	2.12
21	60B21H	5.430	5.033	3/4	2 3/4	4	1 1/4	5.00	60A21H	3/4	2.28
22	60B22H	5.670	5.270	3/4	2 3/4	4	1 1/4	5.25	60A22H	3/4	2.48
23	60B23H	5.910	5.508	3/4	2 3/4	4	1 1/4	5.48	60A23H	3/4	2.68
24	60B24H	6.150	5.746	3/4	2 3/4	4	1 1/4	5.78	60A24H	23/32	3.00
25	60B25H	6.390	5.984	3/4	2 3/4	4	1 1/4	6.13	60A25H	23/32	3.34
26	60B26H	6.630	6.222	3/4	2 3/4	4	1 1/4	6.38	60A26H	23/32	3.54
27	60B27H	6.870	6.461	3/4	2 3/4	4	1 1/4	6.72	60A27H	23/32	3.96
28	60B28H	7.110	6.698	3/4	2 3/4	4	1 1/4	6.88	60A28H	23/32	4.14
29	60B29H	7.350	6.937	3/4	2 3/4	4	1 1/4	7.28	60A29	23/32	4.40
30	60B30H	7.590	7.175	3/4	2 3/4	4	1 1/4	7.58	60A30	23/32	4.48
31	60B31	7.830	7.413	1	2 3/4	4	1 1/4	7.72	60A31	23/32	5.24
32	60B32	8.070	7.652	1	2 3/4	4	1 1/4	8.26	60A32	23/32	5.52

Chart continues on next page

60 Sprocket

3/4" Pitch



* Indicates has recessed groove in hub for chain clearance.
Groove diameter Dg is indicated below:

Part #	Dg (in.)
60B09H	1.307
60B10H	1.555
60B11H	1.803
60B12H	2.695

Single - Type B (Hub Type)

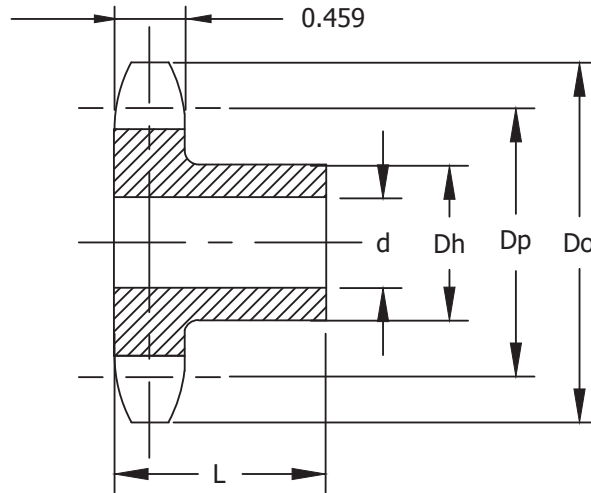
Single - Type A (PlateType)

No. of Teeth	Part Number	Diameters		Bore		Hub		Approx Weight Lbs	Part Number	Stock Bore	Approx Weight Lbs
		Outside Do	Pitch Dp	Stock	Rec. Maximum	Diameter Dh	Length Thru L				
33	60B33	8.300	7.890	1	2 3/4	4	1 1/4	8.42	60A33	15/16	5.86
34	60B34	8.540	8.129	1	2 3/4	4	1 1/4	8.80	60A34	15/16	6.16
35	60B35	8.780	8.367	1	2 3/4	4	1 1/4	9.04	60A35	15/16	6.78
36	60B36	9.020	8.606	1	2 3/4	4	1 1/4	9.60	60A36	15/16	6.82
37	60B37	9.260	8.844	1	2 3/4	4	1 1/4	10.24	60A37	15/16	7.52
38	60B38	9.500	9.083	1	2 3/4	4 1/4	1 1/4	10.84	60A38	15/16	7.84
39	60B39	9.740	9.321	1	2 3/4	4 1/4	1 1/4	11.36	60A39	15/16	8.28
40	60B40	9.980	9.560	1	2 3/4	4 1/4	1 1/4	11.50	60A40	15/16	8.56
41	60B41	10.220	9.798	1	2 3/4	4 1/4	1 1/4	12.14	60A41	15/16	9.10
42	60B42	10.460	10.037	1	2 3/4	4 1/4	1 1/4	12.74	60A42	15/16	9.84
43	60B43	10.700	10.275	1	2 3/4	4 1/4	1 1/4	13.00	60A43	15/16	9.74
44	60B44	10.940	10.514	15/16	2 3/4	4 1/4	1 1/4	13.88	60A44	15/16	10.76
45	60B45	11.180	10.752	15/16	2 3/4	4 1/4	1 1/4	13.98	60A45	15/16	11.08
47	60B47	11.650	11.229	15/16	2 3/4	4 1/4	1 1/4	15.00	60A47	15/16	12.32
48	60B48	11.890	11.468	15/16	2 3/4	4 1/4	1 1/4	15.82	60A48	15/16	12.42
49	60B49	12.130	11.706	15/16	2 3/4	4 1/4	1 1/4	15.90	60A49	15/16	12.92
50	60B50	12.370	11.945	15/16	2 3/4	4 1/4	1 1/4	17.66	60A50	15/16	13.98
52	60B52	12.850	12.422	15/16	2 3/4	4 1/4	1 1/4	17.93	60A52	15/16	14.60
60	60B60	14.760	14.330	1 1/4	2 3/4	4 1/4	1 3/4	25.22	60A60	1 1/4	20.02
70	60B70	17.150	16.717	1 1/4	2 3/4	4 1/4	1 3/4	31.98	60A70	1 1/4	27.20
72	60B72	17.630	17.195	1 1/4	2 3/4	4 1/4	2	34.18	60A72	1 1/4	28.90
80	60B80	19.540	19.103	1 1/4	2 3/4	4 1/4	2	41.88	60A80	1 1/4	45.50
84	60B84	20.490	20.058	1 1/4	2 3/4	4 1/4	2	46.46	60A84	1 1/4	40.18

Suffix H indicates Hardened Teeth

60 Sprocket

3/4" Pitch



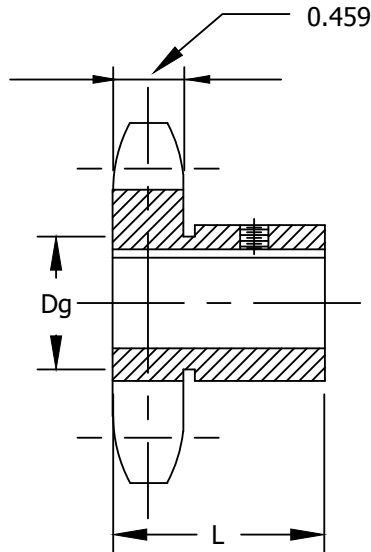
Single - Type BS (Hub Type) Finished Bore - Keyway with 2 Set Screws

No. of Teeth	Part Number	Diameters		Hub		Approx Weight Lbs	Stock Finished Bore (includes Keyway and Set Screws)														
		Outside Do	Pitch Dp	Diameter Dh	Length L																
9	60BS09H	2.510"	2.193"	1 9/16*	1 1/4	0.60	3/4	7/8	1												
10	60BS10H	2.760"	2.427"	1 15/16*	1 1/4	0.70	3/4	7/8	1	1 1/8	1 3/16	1 1/4									
11	60BS11H	3.000"	2.663"	2 1/16*	1 1/4	0.90	3/4	7/8	1	1 1/8	1 3/16	1 1/4									
12	60BS12H	3.250"	2.898"	2 3/8	1 1/4	1.30	3/4	7/8	1	1 1/8	1 3/16	1 1/4		17/16							
13	60BS13H	3.490"	3.134"	2 11/32	1 1/4	1.30	3/4	7/8	1	1 1/8	1 3/16	1 1/4	1 3/8	17/16	1 1/2						
14	60BS14H	3.740"	3.371"	2 9/16	1 1/4	1.60	3/4	7/8	1	1 1/8	1 3/16	1 1/4	1 3/8	17/16	1 1/2	1 5/8					
15	60BS15H	3.980"	3.608"	2 7/8	1 1/4	1.70	3/4	7/8	1	1 1/8	1 3/16	1 1/4	1 3/8	17/16	1 1/2	1 5/8	1 3/4				
16	60BS16H	4.220"	3.845"	3 1/16	1 1/4	2.10	3/4	7/8	1	1 1/8	1 3/16	1 1/4	1 3/8	17/16	1 1/2	1 5/8	1 3/4	1 15/16			
17	60BS17H	4.460"	4.082"	3 1/4	1 1/4	2.40			1	1 1/8	1 3/16	1 1/4	1 3/8	17/16	1 1/2	1 5/8	1 3/4	1 15/16			
18	60BS18H	4.700"	4.319"	3 1/2	1 1/4	2.60			1	1 1/8	1 3/16	1 1/4	1 3/8	17/16	1 1/2	1 5/8	1 3/4	1 15/16			
19	60BS19H	4.950"	4.557"	3 1/2	1 1/4	3.40			1	1 1/8	1 3/16	1 1/4	1 3/8	17/16	1 1/2	1 5/8	1 3/4	1 15/16			
20	60BS20H	5.190"	4.794"	3 7/8	1 1/4	3.90			1	1 1/8	1 3/16	1 1/4	1 3/8	17/16	1 1/2	1 5/8	1 3/4	1 15/16			
21	60BS21H	5.430"	5.033"	4	1 1/4	4.40			1	1 1/8	1 3/16	1 1/4	1 3/8	17/16	1 1/2	1 5/8	1 3/4	1 15/16			
22	60BS22H	5.670"	5.270"	4	1 1/4	4.70			1	1 1/8	1 3/16	1 1/4	1 3/8	17/16	1 1/2	1 5/8	1 3/4	1 15/16			
23	60BS23H	5.910"	5.508"	4	1 1/4	5.00			1	1 1/8	1 3/16	1 1/4	1 3/8	17/16	1 1/2	1 5/8	1 3/4	1 15/16			
24	60BS24H	6.150"	5.746"	4	1 1/4	5.30			1	1 1/8	1 3/16	1 1/4	1 3/8	17/16	1 1/2	1 5/8	1 3/4	1 15/16			
25	60BS25H	6.390"	5.984"	4	1 1/4	5.40			1	1 1/8	1 3/16	1 1/4	1 3/8	17/16	1 1/2	1 5/8	1 3/4	1 15/16			
26	60BS26H	6.630"	6.222"	4	1 1/4	5.80			1	1 1/8	1 3/16	1 1/4	1 3/8	17/16	1 1/2	1 5/8	1 3/4	1 15/16			
27	60BS27H	6.870"	6.461"	4	1 1/4	6.30			1	1 1/8	1 3/16	1 1/4	1 3/8	17/16	1 1/2	1 5/8	1 3/4	1 15/16			
28	60BS28H	7.110"	6.698"	4	1 1/4	6.40			1	1 1/8	1 3/16	1 1/4	1 3/8	17/16	1 1/2	1 5/8	1 3/4	1 15/16			
29	60BS29H	7.350"	6.937"	4	1 1/4	6.90			1	1 1/8	1 3/16	1 1/4	1 3/8	17/16	1 1/2	1 5/8	1 3/4	1 15/16			
30	60BS30H	7.590"	7.175"	4	1 1/4	7.10			1	1 1/8	1 3/16	1 1/4	1 3/8	17/16	1 1/2	1 5/8	1 3/4	1 15/16			
31	60BS31	7.830"	7.413"	4	1 1/4	7.40			1	1 1/8	1 3/16	1 1/4	1 3/8	17/16	1 1/2	1 5/8	1 3/4	1 15/16			
32	60BS32	8.070"	7.652"	4	1 1/4	7.80			1	1 1/8	1 3/16	1 1/4	1 3/8	17/16	1 1/2	1 5/8	1 3/4	1 15/16			

Chart continues on next page

60 Sprocket

3/4" Pitch



* Indicates has recessed groove in hub for chain clearance.
Groove diameter Dg is indicated below:

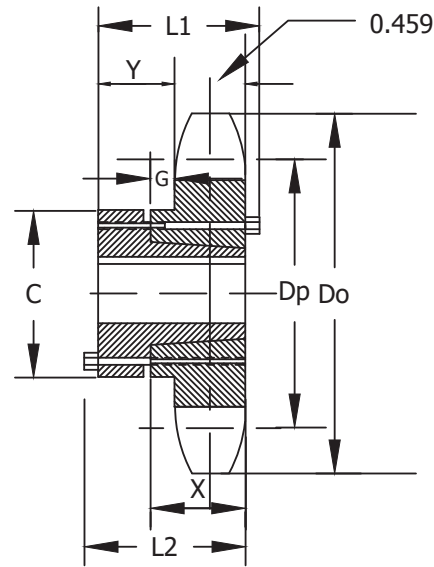
Part #	Dg (in.)
60BS09H	1.307
60BS10H	1.555
60BS11H	1.803
60BS12H	2.695

Single - Type BS (Hub Type) Finished Bore - Keyway with 2 Set Screws

No. of Teeth	Part Number	Diameters		Hub		Approx Weight Lbs	Stock Finished Bore (includes Keyway and Set Screws)														
		Outside Do	Pitch Dp	Diameter Dh	Length L																
33	60BS33	8.300"	7.890"	4	1 1/4	8.20			1	1 1/8	13/16	1 1/4	1 3/8	17/16	1 1/2	1 5/8	1 3/4	1 15/16			
34	60BS34	8.540"	8.129"	4	1 1/4	8.50			1	1 1/8	13/16	1 1/4	1 3/8	17/16	1 1/2	1 5/8	1 3/4	1 15/16			
35	60BS35	8.780"	8.367"	4	1 1/4	8.80			1	1 1/8	13/16	1 1/4	1 3/8	17/16	1 1/2	1 5/8	1 3/4	1 15/16			
36	60BS36	9.020"	8.606"	4	1 1/4	9.90			1	1 1/8	13/16	1 1/4	1 3/8	17/16	1 1/2	1 5/8	1 3/4	1 15/16	2	2 3/16	2 7/16
37	60BS37	9.260"	8.844"	4	1 1/4	9.90			1	1 1/8	13/16	1 1/4	1 3/8	17/16	1 1/2	1 5/8	1 3/4	1 15/16	2	2 3/16	2 7/16
38	60BS38	9.500"	9.083"	4 1/4	1 1/4	10.50			1	1 1/8	13/16	1 1/4	1 3/8	17/16	1 1/2	1 5/8	1 3/4	1 15/16	2	2 3/16	2 7/16
39	60BS39	9.740"	9.321"	4 1/4	1 1/4	10.90			1	1 1/8	13/16	1 1/4	1 3/8	17/16	1 1/2	1 5/8	1 3/4	1 15/16	2	2 3/16	2 7/16
40	60BS40	9.980"	9.560"	4 1/4	1 1/4	11.20			1	1 1/8	13/16	1 1/4	1 3/8	17/16	1 1/2	1 5/8	1 3/4	1 15/16	2	2 3/16	2 7/16
41	60BS41	10.220"	9.798"	4 1/4	1 1/4	11.80			1	1 1/8	13/16	1 1/4	1 3/8	17/16	1 1/2	1 5/8	1 3/4	1 15/16	2	2 3/16	2 7/16
42	60BS42	10.460"	10.037"	4 1/4	1 1/4	12.40			1	1 1/8	13/16	1 1/4	1 3/8	17/16	1 1/2	1 5/8	1 3/4	1 15/16	2	2 3/16	2 7/16
43	60BS43	10.700"	10.275"	4 1/4	1 1/4	13.10			1	1 1/8	13/16	1 1/4	1 3/8	17/16	1 1/2	1 5/8	1 3/4	1 15/16	2	2 3/16	2 7/16
44	60BS44	10.940"	10.514"	4 1/4	1 1/4	13.50			1	1 1/8	13/16	1 1/4	1 3/8	17/16	1 1/2	1 5/8	1 3/4	1 15/16	2	2 3/16	2 7/16
45	60BS45	11.180"	10.752"	4 1/4	1 1/4	13.80			1	1 1/8	13/16	1 1/4	1 3/8	17/16	1 1/2	1 5/8	1 3/4	1 15/16	2	2 3/16	2 7/16
46	60BS46	11.420"	10.991"	4 1/4	1 1/4	14.10			1	1 1/8	13/16	1 1/4	1 3/8	17/16	1 1/2	1 5/8	1 3/4	1 15/16	2	2 3/16	2 7/16
47	60BS47	11.650"	11.229"	4 1/4	1 1/4	14.60			1	1 1/8	13/16	1 1/4	1 3/8	17/16	1 1/2	1 5/8	1 3/4	1 15/16	2	2 3/16	2 7/16
48	60BS48	11.890"	11.468"	4 1/4	1 1/4	15.40			1	1 1/8	13/16	1 1/4	1 3/8	17/16	1 1/2	1 5/8	1 3/4	1 15/16	2	2 3/16	2 7/16
49	60BS49	12.130"	11.706"	4 1/4	1 1/4	16.40			1	1 1/8	13/16	1 1/4	1 3/8	17/16	1 1/2	1 5/8	1 3/4	1 15/16	2	2 3/16	2 7/16
50	60BS50	12.370"	11.945"	4 1/4	1 1/4	17.30			1	1 1/8	13/16	1 1/4	1 3/8	17/16	1 1/2	1 5/8	1 3/4	1 15/16	2	2 3/16	2 7/16
52	60BS52	12.850"	12.422"	4 1/4	1 1/4	19.30			1	1 1/8	13/16	1 1/4	1 3/8	17/16	1 1/2	1 5/8	1 3/4	1 15/16	2	2 3/16	2 7/16
60	60BS60	14.760"	14.330"	4 1/4	1 3/4	25.00							1 3/8	17/16	1 1/2	1 5/8	1 3/4	1 15/16	2	2 3/16	2 7/16
70	60BS70	17.150"	16.717"	4 1/4	1 3/4	31.40							1 3/8	17/16	1 1/2	1 5/8	1 3/4	1 15/16	2	2 3/16	2 7/16
72	60BS72	17.630"	17.195"	4 1/4	2	33.60							1 3/8	17/16	1 1/2	1 5/8	1 3/4	1 15/16	2	2 3/16	2 7/16
80	60BS80	19.540"	19.103"	4 1/4	2	41.20							1 3/8	17/16	1 1/2	1 5/8	1 3/4	1 15/16	2	2 3/16	2 7/16
84	60BS84	20.490"	20.058"	4 1/4	2	45.80							1 3/8	17/16	1 1/2	1 5/8	1 3/4	1 15/16	2	2 3/16	2 7/16

60 Sprocket

3/4" Pitch



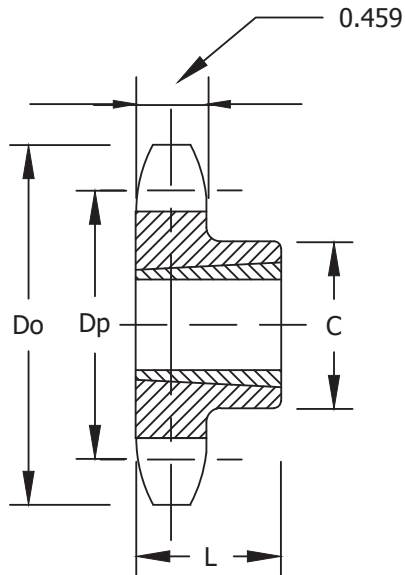
Single - Type QD Style - Bushed

No. of Teeth	Part Number	Bushing	Diameters		Max Bore	Hub Diameter C	Dimensions				Approx Weight Lbs
			Outside Do	Pitch Dp			L1	L2	X	Y	
12	60JA12H	JA	3.250	2.898	1 1/4	2 1/16	1	1	1.125"	27/64	0.60
13	60JA13H	JA	3.490	3.134	1 1/4	2 1/4	1	1	1.125"	27/64	0.70
14	60SH14H	SH	3.740	3.371	1 11/16	2 11/16	1 3/8	1 3/8	1.4375"	47/64	0.90
15	60SH15H	SH	3.980	3.607	1 11/16	2 3/4	1 3/8	1 3/8	1.4375"	47/64	1.00
16	60SH16H	SH	4.220	3.844	1 11/16	3	1 3/8	1 3/8	1.4375"	47/64	1.20
17	60SDS17H	SDS	4.460	4.082	2	3 1/4	1 7/16	1 7/16	1.5"	51/64	1.40
18	60SDS18H	SDS	4.700	4.319	2	3 1/2	1 7/16	1 7/16	1.5"	51/64	1.60
19	60SDS19H	SDS	4.950	4.557	2	3 1/2	1 7/16	1 7/16	1.5"	51/64	1.90
20	60SDS20H	SDS	5.190	4.794	2	3 1/2	1 7/16	1 7/16	1.5"	51/64	2.10
21	60SDS21H	SDS	5.430	5.032	2	3 1/2	1 7/16	1 7/16	1.5"	51/64	2.30
22	60SDS22H	SDS	5.670	5.270	2	3 1/2	1 7/16	1 7/16	1.5"	51/64	2.60
23	60SDS23H	SDS	5.910	5.508	2	3 1/2	1 7/16	1 7/16	1.5"	51/64	2.80
24	60SDS24H	SDS	6.150	5.746	2	3 1/2	1 7/16	1 7/16	1.5"	51/64	3.10
25	60SDS25H	SDS	6.390	5.984	2	3 1/2	1 7/16	1 7/16	1.5"	51/64	3.30
26	60SK26H	SK	6.630	6.222	2 5/8	4 1/4	2 1/16	2 1/16	2.125"	1 23/64	4.60
27	60SK27H	SK	6.870	6.460	2 5/8	4 1/4	2 1/16	2 1/16	2.125"	1 23/64	4.80
28	60SK28H	SK	7.110	6.699	2 5/8	4 1/4	2 1/16	2 1/16	2.125"	1 23/64	5.00
30	60SK30H	SK	7.590	7.175	2 5/8	4 1/4	2 1/16	2 1/16	2.125"	1 23/64	5.70
32	60SK32	SK	8.070	7.652	2 5/8	4 1/4	2 1/16	2 1/16	2.125"	1 23/64	6.40
35	60SK35	SK	8.780	8.367	2 5/8	4 1/4	2 1/16	2 1/16	2.125"	1 23/64	7.50
36	60SK36	SK	9.020	8.605	2 5/8	4 1/4	2 1/16	2 1/16	2.125"	1 23/64	7.80
40	60SK40	SK	9.980	9.559	2 5/8	4 1/4	2 1/16	2 1/16	2.125"	1 23/64	9.50
42	60SF42	SF	10.460	10.036	2 15/16	5	2 3/16	2 3/16	2.25"	1 31/64	11.00
45	60SF45	SF	11.180	10.752	2 15/16	5	2 3/16	2 3/16	2.25"	1 31/64	12.10
48	60SF48	SF	11.890	11.467	2 15/16	5	2 3/16	2 3/16	2.25"	1 31/64	13.80

Suffix H indicates Hardened Teeth

60 Sprocket

3/4" Pitch



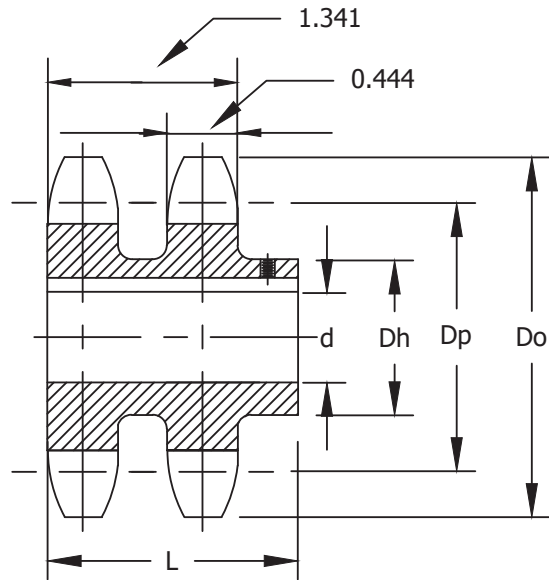
Single - Type TL Style - Taped Bushed

No. of Teeth	Part Number	Bushing	Diameters		Max Bore	Length Thru L	Hub Diameter C	Approx Weight Lbs
			Outside Do	Pitch Dp				
11	60BTL11H	1008	3.004"	2.662"	1	7/8	1 13/16	0.60
12	60BTL12H	1008	3.249"	2.898"	1	7/8	1 15/16	0.80
13	60BTL13H	1210	3.493"	3.134"	1	1	*2 15/32	0.80
14	60BTL14H	1210	3.736"	3.371"	1 1/4	1	2 15/32	1.00
15	60BTL15H	1610	3.979"	3.607"	1 5/8	1	2 15/32	1.00
16	60BTL16H	1610	4.221"	3.844"	1 5/8	1	3	1.40
17	60BTL17H	1610	4.462"	4.082"	1 5/8	1	3 1/4	1.80
18	60BTL18H	1610	4.704"	4.319"	1 5/8	1	3 1/4	1.90
19	60BTL19H	1610	4.945"	4.557"	1 5/8	1	3 1/4	2.20
20	60BTL20H	2012	5.185"	4.794"	2	1 1/4	3 5/8	2.40
21	60BTL21H	2012	5.426"	5.032"	2	1 1/4	3 5/8	2.50
22	60BTL22H	2012	5.666"	5.270"	2	1 1/4	3 5/8	2.80
23	60BTL23H	2012	5.907"	5.508"	2	1 1/4	3 5/8	3.10
24	60BTL24H	2012	6.147"	5.746"	2	1 1/4	3 5/8	3.40
25	60BTL25H	2012	6.387"	5.984"	2	1 1/4	3 5/8	3.70
26	60BTL26H	2012	6.627"	6.222"	2	1 1/4	3 5/8	4.00
27	60BTL27H	2012	6.867"	6.460"	2	1 1/4	3 5/8	4.20
28	60BTL28H	2012	7.107"	6.699"	2	1 1/4	3 5/8	4.60
30	60BTL30H	2012	7.586"	7.175"	2	1 1/4	3 5/8	5.20
32	60BTL32	2012	8.065"	7.652"	2	1 1/4	3 5/8	5.60
35	60BTL35	2012	8.783"	8.367"	2	1 1/4	3 5/8	6.40
36	60BTL36	2012	9.022"	8.605"	2	1 1/4	3 5/8	6.60
40	60BTL40	2012	9.980"	9.559"	2	1 1/4	3 5/8	8.30
42	60BTL42	2012	10.458"	10.036"	2	1 1/4	3 5/8	10.00
45	60BTL45	2012	11.175"	10.752"	2	1 1/4	3 5/8	11.50
48	60BTL48	2012	11.893"	11.467"	2	1 1/4	3 5/8	13.20

* Indicates has recessed groove in hub for chain clearance.

60 Sprocket

3/4" Pitch



Double - Type B (Hub Type) Finished Bore

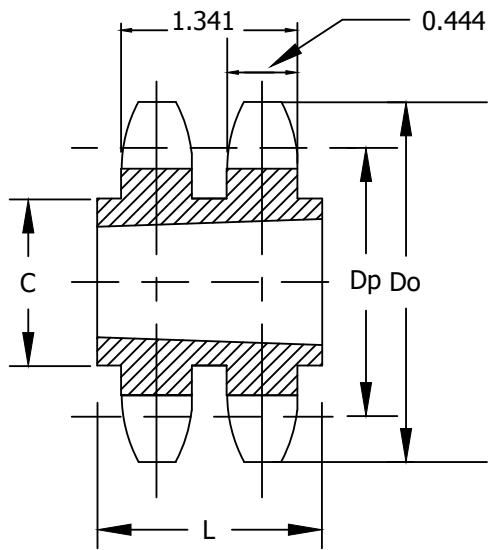
No. of Teeth	Part Number	Diameters		Hub		Approx Weight Lbs	Stock Finished Bore (includes Keyway and Set Screws)													
		Outside Do	Pitch Dp	Diameter Dh	Length L															
11	D60B11H	3.000	2.663	1 25/32	2 1/8	1.62	3/4	7/8	1	1 1/8	1 3/16	1 1/4								
12	D60B12H	3.250	2.898	2 1/32	2 1/8	2.20	3/4	7/8	1	1 1/8	1 3/16	1 1/4								
13	D60B13H	3.490	3.134	2 1/4	2 1/8	2.60	3/4	7/8	1	1 1/8	1 3/16	1 1/4	1 3/8	1 7/16	1 1/2					
14	D60B14H	3.740	3.371	2 1/2	2 1/8	3.24	3/4	7/8	1	1 1/8	1 3/16	1 1/4	1 3/8	1 7/16	1 1/2	1 5/8				
15	D60B15H	3.980	3.608	2 3/4	2 1/8	3.96	3/4	7/8	1	1 1/8	1 3/16	1 1/4	1 3/8	1 7/16	1 1/2	1 5/8	1 3/4			
16	D60B16H	4.220	3.845	3	2 1/8	4.62	3/4	7/8	1	1 1/8	1 3/16	1 1/4	1 3/8	1 7/16	1 1/2	1 5/8	1 3/4			
17	D60B17H	4.460	4.082	3 7/32	2 1/8	5.60			1	1 1/8	1 3/16	1 1/4	1 3/8	1 7/16	1 1/2	1 5/8	1 3/4	1 15/16		
18	D60B18H	4.700	4.319	3 7/16	2 1/8	6.24			1	1 1/8	1 3/16	1 1/4	1 3/8	1 7/16	1 1/2	1 5/8	1 3/4	1 15/16		
19	D60B19H	4.950	4.557	3 11/16	2 1/8	7.00			1	1 1/8	1 3/16	1 1/4	1 3/8	1 7/16	1 1/2	1 5/8	1 3/4	1 15/16		
20	D60B20H	5.190	4.794	3 3/4	2 1/8	7.72			1	1 1/8	1 3/16	1 1/4	1 3/8	1 7/16	1 1/2	1 5/8	1 3/4	1 15/16		
21	D60B21H	5.430	5.033	4 1/8	2 1/8	8.82			1	1 1/8	1 3/16	1 1/4	1 3/8	1 7/16	1 1/2	1 5/8	1 3/4	1 15/16		
22	D60B22H	5.670	5.270	4 1/4	2 1/8	9.68			1	1 1/8	1 3/16	1 1/4	1 3/8	1 7/16	1 1/2	1 5/8	1 3/4	1 15/16		
23	D60B23H	5.910	5.508	4 1/4	2 1/8	10.30			1	1 1/8	1 3/16	1 1/4	1 3/8	1 7/16	1 1/2	1 5/8	1 3/4	1 15/16		
24	D60B24H	6.150	5.746	4 1/4	2 1/8	11.14			1	1 1/8	1 3/16	1 1/4	1 3/8	1 7/16	1 1/2	1 5/8	1 3/4	1 15/16		
25	D60B25H	6.390	5.984	4 1/4	2 1/8	11.96			1	1 1/8	1 3/16	1 1/4	1 3/8	1 7/16	1 1/2	1 5/8	1 3/4	1 15/16		
26	D60B26	6.630	6.222	4 1/4	2 1/8	12.70			1	1 1/8	1 3/16	1 1/4	1 3/8	1 7/16	1 1/2	1 5/8	1 3/4	1 15/16		
27	D60B27	6.870	6.461	4 1/4	2 1/8	16.36			1	1 1/8	1 3/16	1 1/4	1 3/8	1 7/16	1 1/2	1 5/8	1 3/4	1 15/16		
30	D60B30	7.590	7.175	4 1/4	2 1/8	19.52			1	1 1/8	1 3/16	1 1/4	1 3/8	1 7/16	1 1/2	1 5/8	1 3/4	1 15/16		
32	D60B32	8.070	7.652	4 1/2	2 3/8	22.80			1	1 1/8	1 3/16	1 1/4	1 3/8	1 7/16	1 1/2	1 5/8	1 3/4	1 15/16		
35	D60B35	8.780	8.367	4 1/2	2 3/8	22.80			1	1 1/8	1 3/16	1 1/4	1 3/8	1 7/16	1 1/2	1 5/8	1 3/4	1 15/16		
36	D60B36	9.020	8.606	4 1/2	2 3/8	23.82			1	1 1/8	1 3/16	1 1/4	1 3/8	1 7/16	1 1/2	1 5/8	1 3/4	1 15/16	2	
40	D60B40	9.980	9.560	4 1/2	2 3/4	30.84			1	1 1/8	1 3/16	1 1/4	1 3/8	1 7/16	1 1/2	1 5/8	1 3/4	1 15/16	2 2 3/16	

Suffix H indicates Hardened Teeth

Weight will vary significantly based on bore size

60 Sprocket

3/4" Pitch



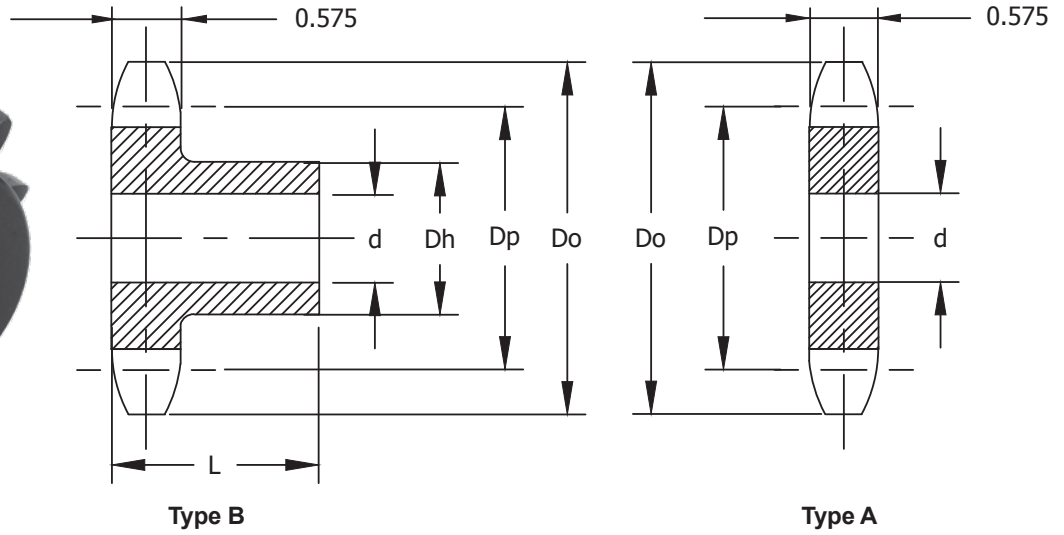
Double - Tapered Bush Type

No. of Teeth	Part Number	Bushing	Diameters		Type	Max Bore	Length Thru L	Hub Diameter C	Approx Weight Lbs
			Outside Do	Pitch Dip					
20	D60BTL20H	2012	5.185"	4.794"	B	2 1/2	2	3 61/64	2.90
21	D60BTL21H	2012	5.426"	5.032"	B	2 1/2	2	4 3/16	3.80
25	D60BTL25H	2012	6.387"	5.984"	B	2 1/2	2	5 5/32	7.50
30	D60BTL30	2012	7.586"	7.175"	B	2 1/2	2	6 11/32	13.20
36	D60CTL36	2012	9.022"	8.605"	C	2 1/2	2	4 1/4	17.40
42	D60CTL42	2012	10.458"	10.036"	C	2 1/2	2	4 1/4	25.10
45	D60CTL45	2012	11.175"	10.752"	C	2 1/2	2	4 1/4	29.40

Suffix H indicates Hardened Teeth

80 Sprocket

1" Pitch



Single - Type B (Hub Type)

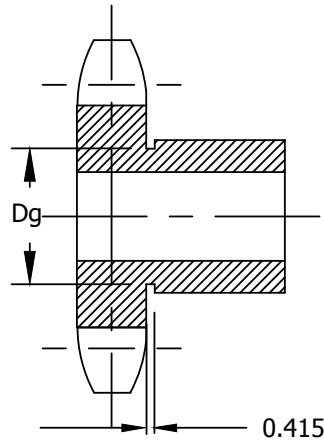
Single - Type A (Plate Type)

No. of Teeth	Part Number	Diameters		Bore		Hub		Approx Weight Lbs	Part Number	Stock Bore	Approx Weight Lbs
		Outside Do	Pitch Dp	Stock	Rec. Maximum	Diameter Dh	Length Thru L				
09	80B09H	3.350	2.924	1	1 5/16	2 1/4*	1 5/8	1.6	80A9	15/16	.8
10	80B10H	3.680	3.236	1	1 1/2	2 9/16*	1 5/8	2.2	80A10	15/16	1.0
11	80B11H	4.010	3.550	1	1 5/8	2 13/16*	1 5/8	3.2	80A11	15/16	1.3
12	80B12H	4.330	3.864	1	1 7/8	3 1/8*	1 5/8	3.4	80A12	15/16	1.5
13	80B13H	4.660	4.179	1	2	3	1 1/2	3.5	80A13	15/16	1.8
14	80B14H	4.980	4.494	1	2 1/4	3 1/4	1 1/2	4.1	80A14	15/16	2.2
15	80B15H	5.300	4.810	1	2 1/2	3 13/16	1 1/2	5.3	80A15	15/16	2.5
16	80B16H	5.630	5.126	1	2 3/4	4	1 1/2	5.9	80A16	15/16	2.9
17	80B17H	5.950	5.442	1	2 3/4	4	1 1/2	6.6	80A17	15/16	3.3
18	80B18H	6.270	5.759	1	2 3/4	4 1/4	1 1/2	7.3	80A18	15/16	3.7
19	80B19H	6.590	6.076	1	2 3/4	4 1/4	1 1/2	7.8	80A19	15/16	4.1
20	80B20H	6.910	6.392	1	2 3/4	4 1/4	1 1/2	8.4	80A20	15/16	4.7
21	80B21	7.240	6.710	1	2 3/4	4 1/4	1 1/2	9.4	80A21	15/16	4.9
22	80B22	7.560	7.027	1	2 3/4	4 1/4	1 3/4	10.0	80A22	15/16	5.5
23	80B23	7.880	7.344	1	2 3/4	4 1/4	1 3/4	10.7	80A23	15/16	6.3
24	80B24	8.200	7.661	1	2 3/4	4 1/4	1 3/4	11.3	80A24	15/16	6.7
25	80B25	8.520	7.979	1	2 3/4	4 3/4	1 3/4	11.9	80A25	15/16	7.2
26	80B26	8.840	8.296	1 1/4	3 1/4	4 3/4	2	14.3	80A26	1 3/16	7.8
27	80B27	9.160	8.614	1 1/4	3 1/4	4 3/4	2	15.4	80A27	1 3/16	8.6
28	80B28	9.480	8.931	1 1/4	3 1/4	4 3/4	2	16.0	80A28	1 3/16	9.3
29	80B29	9.800	9.249	1 3/16	3 1/4	4 3/4	2	17.1	80A29	1 3/16	9.8
30	80B30	10.110	9.567	1 3/16	3 1/4	4 3/4	2	17.4	80A30	1 3/16	10.7

Chart continues on next page

80 Sprocket

1" Pitch



Type B

* Indicates has recessed groove in hub for chain clearance.
Groove diameter Dg is indicated below:

Part #	Dg (in.)
80B09H	1.756
80B10H	2.067
80B11H	2.381
80B12H	2.695

Single - Type B (Hub Type)

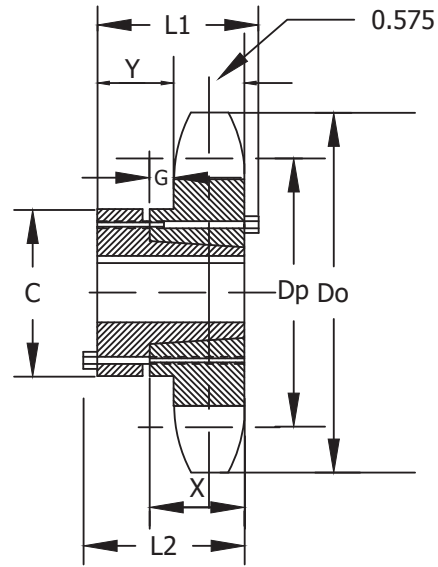
Single - Type A (Plate Type)

No. of Teeth	Part Number	Diameters		Bore		Hub		Approx Weight Lbs	Part Number	Stock Bore	Approx Weight Lbs
		Outside Do	Pitch Dp	Stock	Rec. Maximum	Diameter Dh	Length Thru L				
31	80B31	10.430	9.884	1 3/16	3 1/4	4 3/4	2	18.7	80A31	1 3/16	11.3
32	80B32	10.750	10.202	1 3/16	3 1/4	4 3/4	2	19.5	80A32	1 3/16	12.1
33	80B33	11.070	10.520	1 3/16	3 1/4	4 3/4	2	19.6	80A33	1 3/16	13.6
34	80B34	11.390	10.838	1 3/16	3 1/4	4 3/4	2	21.3	80A34	1 3/16	14.3
35	80B35	11.710	11.156	1 3/16	3 1/4	4 3/4	2	22.1	80A35	1 3/16	14.8
36	80B36	12.030	11.471	1 3/16	3 1/4	4 3/4	2	23.1	80A36	1 3/16	16.1
40	80B40	13.310	12.746	1 3/16	3 1/4	4 3/4	2	26.7	80A40	1 3/16	18.9
42	80B42	13.940	13.382	1 1/4	3 1/4	4 3/4	2	28.7	80A42	1 1/4	21.8
44	80B44	14.580	14.018	1 1/4	3 1/4	4 3/4	2	29.9	80A44	1 1/4	24.3
45	80B45	14.900	14.336	1 1/4	3 1/4	4 3/4	2	31.4	80A45	1 1/4	25.2
46	80B46	12.220	14.654	1 1/4	3 1/4	4 3/4	2	33.1	80A46	1 1/4	26.6
48	80B48	15.860	15.290	1 1/4	3 1/4	4 3/4	2	35.5	80A48	1 1/4	27.8
49	80B49	16.180	15.608	1 1/4	3 1/4	4 3/4	2	35.8	80A49	1 1/4	28.9
50	80B50	16.500	15.926	1 1/4	3 1/4	4 3/4	2	37.3	80A50	1 1/4	30.9
51	80B51	16.810	16.244	1 1/4	3 1/4	4 3/4	2	38.6	80A51	1 1/4	32.2
52	80B52	17.130	16.562	1 1/4	3 1/4	4 3/4	2	39.4	80A52	1 1/4	33.0
54	80B54	17.770	17.198	1 1/4	3 1/4	5 1/4	2	44.7	80A54	1 1/4	36.6
56	80B56	18.410	17.835	1 1/4	3 1/2	5 1/4	2	47.5	80A56	1 1/4	39.4
57	80B57	18.730	18.153	1 1/4	3 1/2	5 1/4	2	48.5	80A57	1 1/4	40.4
58	80B58	19.040	18.471	1 1/4	3 1/2	5 1/4	2	50.5	80A58	1 1/4	41.3
60	80B60	19.680	19.107	1 1/4	3 1/2	5 1/4	2	54.5	80A60	1 1/4	45.3

Suffix H indicates Hardened Teeth

80 Sprocket

1" Pitch



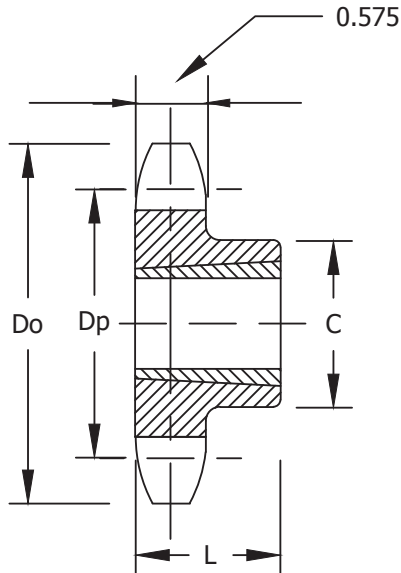
Single - Type QD Style - Bushed

No. of Teeth	Part Number	Bushing	Diameters		Max Bore	Hub Diameter C	Dimensions				Approx Weight Lbs
			Outside Do	Pitch Dp			L1	L2	X	Y	
14	80SH11H	SH	4.982"	4.494"	1 11/16	2 11/16	1 3/8	1 3/8	2 1/4	19/32	1.10
12	80SH12H	SH	7.235"	6.710"	1 11/16	2 3/4	1 3/8	1 3/8	2 1/4	19/32	1.30
13	80SDS13H	SDS	4.660"	4.179"	2	3 3/16	1 7/16	1 7/16	2 1/4	43/64	1.50
14	80SDS14H	SDS	4.980"	4.494"	2	3 3/8	1 7/16	1 7/16	2 1/4	43/64	1.80
15	80SK15H	SK	5.300"	4.810"	2 5/8	3 7/8	2 1/16	2 1/16	2 1/4	1 15/64	2.50
16	80SK16H	SK	5.630"	5.126"	2 5/8	4 3/8	2 1/16	2 1/16	2 1/4	1 15/64	3.20
18	80SK18H	SK	6.270"	5.759"	2 5/8	4 3/8	2 1/16	2 1/16	2 1/4	1 15/64	4.40
19	80SK19H	SK	6.590"	6.076"	2 5/8	4 3/8	2 1/16	2 1/16	2 1/4	1 15/64	4.70
20	80SF20H	SF	6.910"	6.392"	2 15/16	5	2 1/8	2 1/8	2 1/4	1 15/64	5.60
21	80SF21H	SF	7.240"	6.710"	2 15/16	5	2 1/8	2 1/8	2 1/4	1 23/64	6.10
22	80SF22H	SF	7.560"	7.027"	2 15/16	5	2 1/8	2 1/8	2 1/4	1 23/64	6.60
23	80SF23H	SF	7.880"	7.344"	2 15/16	5	2 1/8	2 1/8	2 1/4	1 23/64	7.30
24	80SF24H	SF	8.200"	7.661"	2 15/16	5	2 1/8	2 1/8	2 1/4	1 23/64	7.80
25	80SF25H	SF	8.520"	7.979"	2 15/16	5	2 1/8	2 1/8	2 1/4	1 23/64	8.40
26	80SF26H	SF	8.840"	8.286"	2 15/16	5	2 1/8	2 1/8	2 1/4	1 23/64	8.80
27	80SF27H	SF	9.160"	8.614"	2 15/16	5	2 1/8	2 1/8	2 1/4	1 23/64	9.90
28	80SF28H	SF	9.480"	8.931"	2 15/16	5	2 1/8	2 1/8	2 1/4	1 23/64	10.30
30	80SF30H	SF	10.110"	9.567"	2 15/16	5	2 1/8	2 1/8	2 1/4	1 23/64	11.60
32	80SF32	SF	10.750"	10.202"	2 15/16	5	2 1/8	2 1/8	2 1/4	1 23/64	13.30
33	80SF33	SF	11.070"	10.520"	2 15/16	5	2 1/8	2 1/8	2 1/4	1 23/64	13.50
34	80SF34	SF	11.390"	10.828"	2 15/16	5	2 1/8	2 1/8	2 1/4	1 23/64	15.00
35	80SF35	SF	11.710"	11.156"	2 15/16	5	2 1/8	2 1/8	2 1/4	1 23/64	15.70
36	80SF36	SF	12.030"	11.474"	2 15/16	5	2 1/8	2 1/8	2 1/4	1 23/64	16.70
42	80SF42	SF	13.940"	13.382"	2 15/16	5	2 1/8	2 1/8	2 1/4	1 23/64	22.60
45	80SF45	SF	14.900"	14.336"	2 15/16	5	2 1/8	2 1/8	2 1/4	1 23/64	25.00
48	80SF48	SF	15.860"	15.290"	2 15/16	5	2 1/8	2 1/8	2 1/4	1 23/64	29.30

Suffix H indicates Hardened Teeth

80 Sprocket

1" Pitch



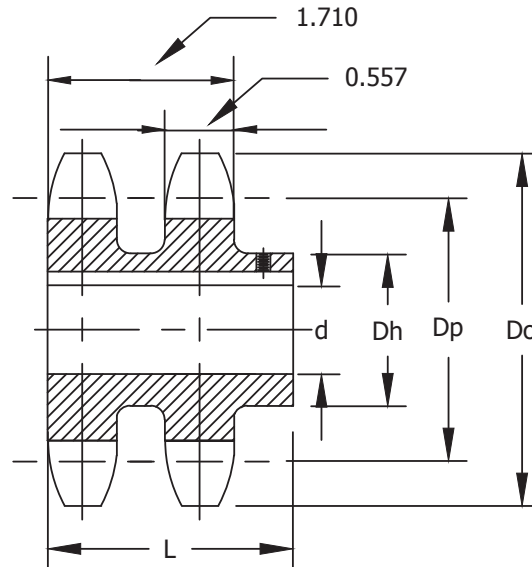
Single - Type TL Style - Taped Bushed

No. of Teeth	Part Number	Bushing	Diameters		Max Bore	Length Thru L	Hub Diameter C	Approx Weight Lbs
			Outside Do	Pitch Dp				
10	80BTL10H	1215	3.678"	3.236"	1 1/4	1.5"	*2 3/8	1.10
11	80BTL11H	1215	4.006"	3.549"	1 1/4	1.5"	*2 15/32	1.50
12	80BTL12H	1615	4.332"	3.864"	1 5/8	1.5"	*3	1.80
13	80BTL13H	1615	4.657"	4.179"	1 5/8	1.5"	3	2.30
14	80BTL14H	1615	4.982"	4.494"	1 5/8	1.5"	3 1/4	3.00
15	80BTL15H	1615	5.305"	4.810"	1 5/8	1.5"	3 1/4	3.35
16	80BTL16H	2012	5.627"	5.126"	2	1.25"	3 5/8	3.40
17	80BTL17H	2012	5.950"	5.442"	2	1.25"	3 5/8	3.45
18	80BTL18H	2012	6.271"	5.759"	2	1.25"	3 5/8	3.60
19	80BTL19H	2012	6.593"	6.076"	2	1.25"	3 5/8	4.10
20	80BTL20H	2517	6.914"	6.392"	2 1/2	1.75"	4 1/4	5.50
21	80BTL21H	2517	7.235"	6.710"	2 1/2	1.75"	4 1/4	6.00
22	80BTL22H	2517	7.555"	7.027"	2 1/2	1.75"	4 1/4	6.50
23	80BTL23H	2517	7.875"	7.344"	2 1/2	1.75"	4 1/4	7.00
24	80BTL24H	2517	8.196"	7.661"	2 1/2	1.75"	4 1/4	7.50
25	80BTL25H	2517	8.516"	7.979"	2 1/2	1.75"	4 1/4	8.10
26	80BTL26H	2517	8.836"	8.296"	2 1/2	1.75"	4 1/4	8.80
27	80BTL27H	2517	9.156"	8.614"	2 1/2	1.75"	4 1/4	9.00
28	80BTL28H	2517	9.475"	8.931"	2 1/2	1.75"	4 1/4	9.50
30	80BTL30H	2517	10.114"	9.567"	2 1/2	1.75"	4 1/4	11.50
32	80BTL32	2517	10.753"	10.202"	2 1/2	1.75"	4 1/4	12.00
35	80BTL35	2517	11.711"	11.156"	2 1/2	1.75"	4 1/4	15.20
36	80BTL36	2517	12.030"	11.474"	2 1/2	1.75"	4 1/4	17.00
40	80BTL40	2517	13.306"	12.746"	2 1/2	1.75"	4 1/4	21.00
45	80BTL45	2517	14.901"	14.336"	2 1/2	1.75"	4 1/4	26.50

* Indicates has recessed groove in hub for chain clearance.

80 Sprocket

1" Pitch



Double - Type B (Hub Type) Finished Bore

No. of Teeth	Part Number	Diameters		Hub		Approx Weight Lbs	Stock Finished Bore (includes Keyway and Set Screws)					
		Outside Do	Pitch Dp	Diameter Dh	Length L							
10	D80B10H	3.680	3.236	*2 9/16	2 3/4	3.50	1	1 1/8				
11	D80B11H	4.010	3.55	2 3/8	2 1/2	3.90	1	1 1/8				
12	D80B12H	4.330	3.864	2 11/16	2 1/2	4.90	1		1 1/4	1 1/2	1 3/4	
13	D80B13H	4.660	4.179	3 1/32	2 1/2	6.10	1		1 1/4	1 1/2	1 3/4	
14	D80B14H	4.980	4.494	3 5/16	2 1/2	7.30	1		1 1/4	1 1/2	1 3/4	
15	D80B15H	5.300	4.81	3 5/8	2 1/2	8.70	1		1 1/4	1 1/2	1 3/4	
16	D80B16H	5.630	5.126	4	2 3/4	11.10	1		1 1/4	1 1/2	1 3/4	2
17	D80B17H	5.950	5.442	4 5/16	2 3/4	12.80	1		1 1/4	1 1/2	1 3/4	2
18	D80B18H	6.270	5.759	4 5/8	2 3/4	14.60	1		1 1/4	1 1/2	1 3/4	2
19	D80B19H	6.590	6.076	4 15/16	2 3/4	16.60	1		1 1/4	1 1/2	1 3/4	2
20	D80B20H	6.910	6.392	5	2 3/4	18.20	1		1 1/4	1 1/2	1 3/4	2
21	D80B21	7.240	6.71	5	2 3/4	19.60	1		1 1/4	1 1/2	1 3/4	2
22	D80B22	7.560	7.027	5	2 3/4	21.00	1		1 1/4	1 1/2	1 3/4	2
23	D80B23	7.880	7.344	5	2 3/4	22.80	1		1 1/4	1 1/2	1 3/4	2
24	D80B24	8.200	7.661	5	2 3/4	24.70	1		1 1/4	1 1/2	1 3/4	2
25	D80B25	8.520	7.979	5	3	28.30	1		1 1/4	1 1/2	1 3/4	2

Suffix H indicates Hardened Teeth

Weight will vary significantly based on bore size

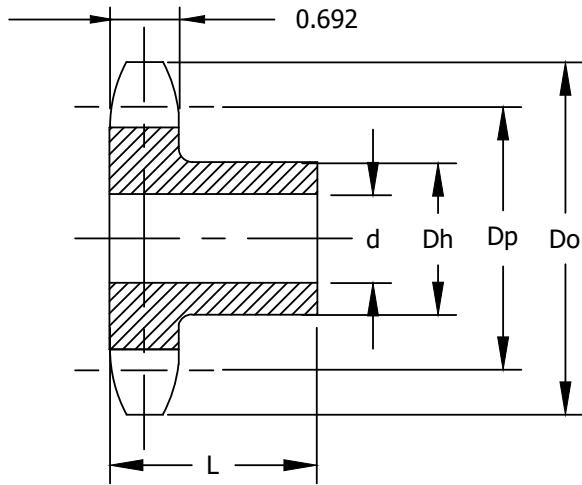
Double - Tapered Bush Type

No. of Teeth	Part Number	Bushing	Diameters		Type	Max Bore	Length Thru L	Hub Diameter C	Approx Weight Lbs
			Outside Do	Pitch Dip					
21	D80BTL21H	3020	7.235"	6.710"	B	3	2	5 9/16	8.80
25	D80BTL25H	3020	8.516"	7.979"	B	3	2	6 7/8	16.30
30	D80CTL30	3020	10.114"	9.567"	C	3	2	5 1/4	25.10

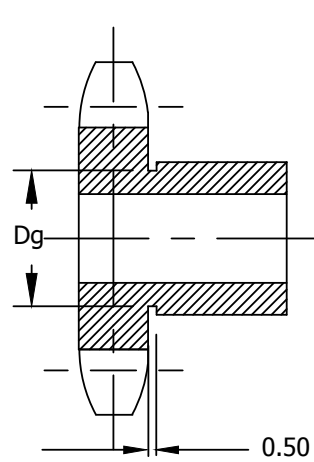
Suffix H indicates Hardened Teeth

100 Sprocket

1 1/4" Pitch



Type B



Type A

Single - Type B (Hub Type)

Single - Type A (Plate Type)

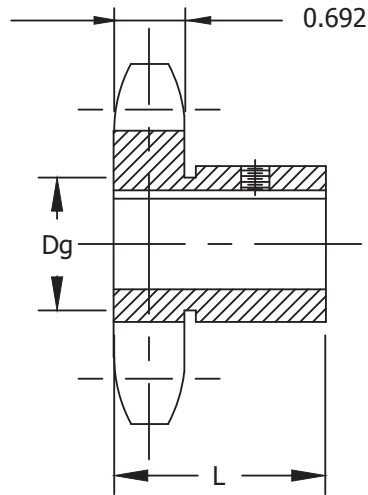
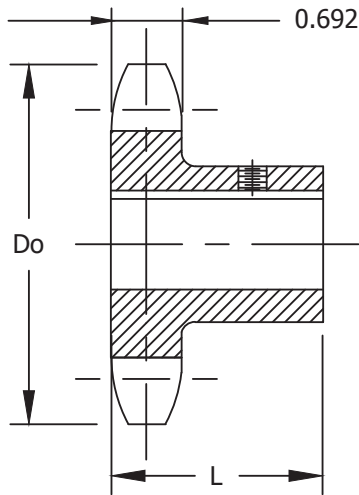
No. of Teeth	Part Number	Diameters		Bore		Hub		Approx Weight Lbs	Part Number	Stock Bore	Approx Weight Lbs
		Outside Do	Pitch Dp	Stock	Rec. Maximum	Diameter Dh	Length Thru L				
8	100B08	3.770	3.266	1	1 1/4	2 7/16*	1 7/8	2.30	100A08	1	1.40
9	100B09	4.180	3.655	1	1 5/8	2 13/16*	1 7/8	3.20	100A09	1	1.60
10	100B10	4.600	4.045	1	1 7/8	3 1/4*	1 7/8	4.10	100A10	1	2.00
11	100B11	5.010	4.438	1	2 1/4	3 9/16*	1 7/8	5.30	100A11	1 1/4	2.50
12	100B12	5.420	4.830	1	2 1/4	4*	1 7/8	6.40	100A12	1 1/4	3.00
13	100B13	5.820	5.224	1	2 3/8	3 7/8	1 5/8	6.60	100A13	1 1/4	3.50
14	100B14	6.230	5.618	1 1/4	2 3/4	4 3/16	1 5/8	7.40	100A14	1 1/4	4.10
15	100B15	6.630	6.013	1 1/4	3	4 1/2	1 3/4	9.20	100A15	1 1/4	4.70
16	100B16	7.030	6.408	1 5/16	3	4 1/2	1 3/4	9.90	100A16	1 1/4	5.40
17	100B17	7.440	6.803	1 5/16	3	4 1/2	1 3/4	10.80	100A17	1 1/4	6.10
18	100B18	7.840	7.199	1 5/16	3	4 1/2	1 3/4	11.50	100A18	1 1/4	7.00
19	100B19	8.240	7.595	1 5/16	3	4 1/2	2	13.10	100A19	1 1/4	7.80
20	100B20	8.640	7.990	1 5/16	3	4 1/2	2	14.20	100A20	1 1/4	8.80
21	100B21	9.040	8.388	1 5/16	3	4 1/2	2	15.30	100A21	1 1/4	9.80
22	100B22	9.440	8.784	1 5/16	3	4 1/2	2	16.10	100A22	1 1/4	10.50
23	100B23	9.840	9.180	1 1/4	3	4 1/2	2	17.20	100A23	1 1/4	11.80
24	100B24	10.250	9.576	1 1/4	3	4 1/2	2	19.20	100A24	1 1/4	12.80
25	100B25	10.650	9.974	1 1/4	3	4 1/2	2	19.50	100A25	1 1/4	13.90
26	100B26	11.050	10.370	1 1/4	3 5/16	5	2	21.70	100A26	1 1/4	15.00
27	100B27	11.440	10.768	1 1/4	3 5/16	5	2	23.00	100A27	1 1/4	16.00
28	100B28	11.840	11.164	1 1/4	3 5/16	5	2	24.40	100A28	1 1/4	17.40
30	100B30	12.640	11.959	1 1/4	3 5/16	5	2	26.90	100A30	1 1/4	20.10
32	100B32	13.440	12.753	1 1/4	3 5/16	5	2	29.80	100A32	1 1/4	22.60
35	100B35	14.640	13.945	1 1/4	3 5/16	5	2 1/2	36.90	100A35	1 1/4	27.20
36	100B36	15.040	14.343	1 1/4	3 5/16	5	2 1/2	38.60	100A36	1 1/4	30.00
38	100B38	15.840	15.138	1 1/4	3 5/16	5	2 1/2	41.50	100A38	1 1/4	33.00
40	100B40	16.630	15.933	1 1/4	3 5/16	5	2 1/2	46.90	100A40	1 1/4	36.00
42	100B42	17.430	16.728	1 1/4	3 5/16	5	2 1/2	50.40	100A42	1 1/4	40.00
45	100B45	18.630	17.920	1 1/2	3 5/16	5	2 1/2	54.00	100A45	1 1/2	47.00
48	100B48	19.820	19.113	1 1/2	4	6	2 1/2	66.00	100A48	1 1/2	54.00
54	100B54	22.210	21.498	1 1/2	4	6	3 1/4	78.00	100A54	1 1/2	68.00
60	100B60	24.600	23.884	1 1/2	4	6	3 1/4	89.00	100B60	1 1/2	80.00

Suffix H indicates Hardened Teeth

* Indicates has recessed groove in hub for chain clearance. Groove diameter Dg is indicated in the table on following page

100 Sprocket

1 1/4" Pitch



* Indicates has recessed groove in hub for chain clearance.
Groove diameter Dg is indicated below:

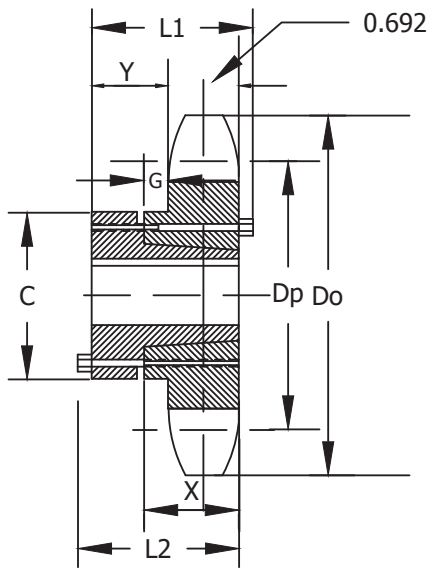
Part #	Dg (in.)
100BS09H	2.169
100BS10H	2.581
100BS11H	2.991
100BS12H	3.399

Single - Type BS (Hub Type) Finished Bore - Keyway with 2 Set Screws

No. of Teeth	Part Number	Diameters		Hub		Approx Weight Lbs	Stock Finished Bore (includes Keyway and Set Screws)									
		Outside Do	Pitch Dp	Diameter Dh	Length L											
8	100BS8	3.770	3.266	2 7/16	1 7/8	2.8	1	1 3/16	1 1/4							
9	100BS9	4.180	3.655	2 13/16	1 7/8	3.0	1	1 3/16	1 1/4	1 7/16						
10	100BS10	4.600	4.045	3 1/4	1 7/8	3.9	1	1 3/16	1 1/4	1 7/16						
11	100BS11	5.010	4.438	3.9/16	1 7/8	4.9	1	1 3/16	1 1/4	1 7/16	1 15/16	2	2 3/16			
12	100BS12	5.420	4.83	4	1 7/8	6.0	1	1 3/16	1 1/4	1 7/16	1 15/16	2	2 3/16			
13	100BS13	5.820	5.224	3 7/8	1 5/8	6.2	1	1 3/16	1 1/4	1 7/16	1 15/16	2	2 3/16			
14	100BS14	6.230	5.618	4 3/16	1 5/8	6.6			1 1/4	1 7/16	1 15/16	2	2 3/16			
15	100BS15	6.630	6.013	4 1/2	1 3/4	8.4			1 1/4	1 7/16	1 15/16	2	2 3/16			
16	100BS16	7.030	6.408	4 1/2	1 3/4	9.0				1 7/16	1 15/16	2	2 3/16	2 7/16	2 15/16	
17	100BS17	7.440	6.803	4 1/2	1 3/4	9.9				1 7/16	1 15/16	2	2 3/16	2 7/16	2 15/16	
18	100BS18	7.840	7.199	4 1/2	1 3/4	10.6				1 7/16	1 15/16	2	2 3/16	2 7/16	2 15/16	
19	100BS19	8.240	7.595	4 1/2	2	12.1				1 7/16	1 15/16	2	2 3/16	2 7/16	2 15/16	
20	100BS20	8.640	7.99	4 1/2	2	13.2				1 7/16	1 15/16	2	2 3/16	2 7/16	2 15/16	
21	100BS21	9.040	8.388	4 1/2	2	14.3				1 7/16	1 15/16	2	2 3/16	2 7/16	2 15/16	
22	100BS22	9.440	8.784	4 1/2	2	15.1				1 7/16	1 15/16	2	2 3/16	2 7/16	2 15/16	
23	100BS23	9.840	9.18	4 1/2	2	16.1				1 7/16	1 15/16	2	2 3/16	2 7/16	2 15/16	
24	100BS24	10.250	9.576	4 1/2	2	18.1				1 7/16	1 15/16	2	2 3/16	2 7/16	2 15/16	
25	100BS25	10.650	9.974	4 1/2	2	18.4				1 7/16	1 15/16	2	2 3/16	2 7/16	2 15/16	

100 Sprocket

1 1/4" Pitch



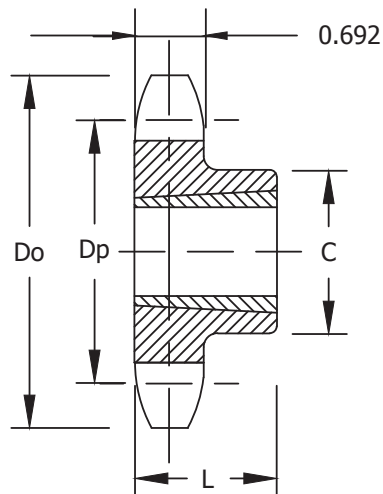
Single - Type QD Style - Bushed

No. of Teeth	Part Number	Bushing	Diameters		Max Bore	Hub Diameter C	Dimensions				Approx Weight Lbs
			Outside Do	Pitch Dp			L1	L2	X	Y	
11	100SDS11H	SDS	5.01"	4.437"	2	3 3/16	1 7/16	1 7/16	3/4	9/16	1.90
12	100SDS12H	SDS	5.42"	4.83"	2	3 1/2	1 7/16	1 7/16	3/4	9/16	2.40
13	100SK13H	SK	5.82"	5.223"	2 5/8	3 15/16	2 1/16	2 1/16	1 1/4	1 9/64	3.30
14	100SK14H	SK	6.23"	5.617"	2 5/8	4 1/4	2 1/16	2 1/16	1 1/4	1 9/64	4.20
15	100SF15H	SF	6.63"	6.012"	2 15/16	4 5/8	2 1/8	2 1/8	1 1/4	1 15/64	4.80
16	100SF16H	SF	7.03"	6.407"	2 15/16	5	2 1/8	2 1/8	1 1/4	1 15/64	5.90
17	100SF17H	SF	7.44"	6.803"	2 15/16	5	2 1/8	2 1/8	1 1/4	1 15/64	6.60
18	100E18H	E	7.84"	7.198"	3 1/2	6	2 5/8	2 15/16	1 1/4	1 13/16	8.90
19	100E19H	E	8.24"	7.595"	3 1/2	6	2 5/8	2 15/16	1 5/8	1 13/16	9.90
20	100E20H	E	8.64"	7.997"	3 1/2	6	2 5/8	2 15/16	1 5/8	1 13/16	11.40
21	100E21H	E	9.04"	8.387"	3 1/2	6	2 5/8	2 15/16	1 5/8	1 13/16	12.50
22	100E22H	E	9.44"	8.783"	3 1/2	6	2 5/8	2 15/16	1 5/8	1 13/16	13.30
23	100E23H	E	9.84"	9.18"	3 1/2	6	2 5/8	2 15/16	1 5/8	1 13/16	15.20
24	100E24H	E	10.25"	8.577"	3 1/2	6	2 5/8	2 15/16	1 5/8	1 13/16	16.10
28	100E28H	E	11.84"	11.164"	3 1/2	6	2 5/8	2 15/16	1 5/8	1 13/16	19.90
30	100E30H	E	12.64"	11.958"	3 1/2	6	2 5/8	2 15/16	1 5/8	1 13/16	24.10
32	100E32	E	13.44"	12.753"	3 1/2	6	2 5/8	2 15/16	1 5/8	1 13/16	26.00
35	100E35	E	14.64"	13.945"	3 1/2	6	2 5/8	2 15/16	1 5/8	1 13/16	29.40
36	100E36	E	15.04"	14.342"	3 1/2	6	2 5/8	2 15/16	1 5/8	1 13/16	31.70
40	100E40	E	16.63"	15.932"	3 1/2	6	2 5/8	2 15/16	1 5/8	1 13/16	38.20
42	100E42	E	17.43"	16.727"	3 1/2	6	2 5/8	2 15/16	1 5/8	1 13/16	41.80

Suffix H indicates Hardened Teeth

100 Sprocket

1 1/4" Pitch

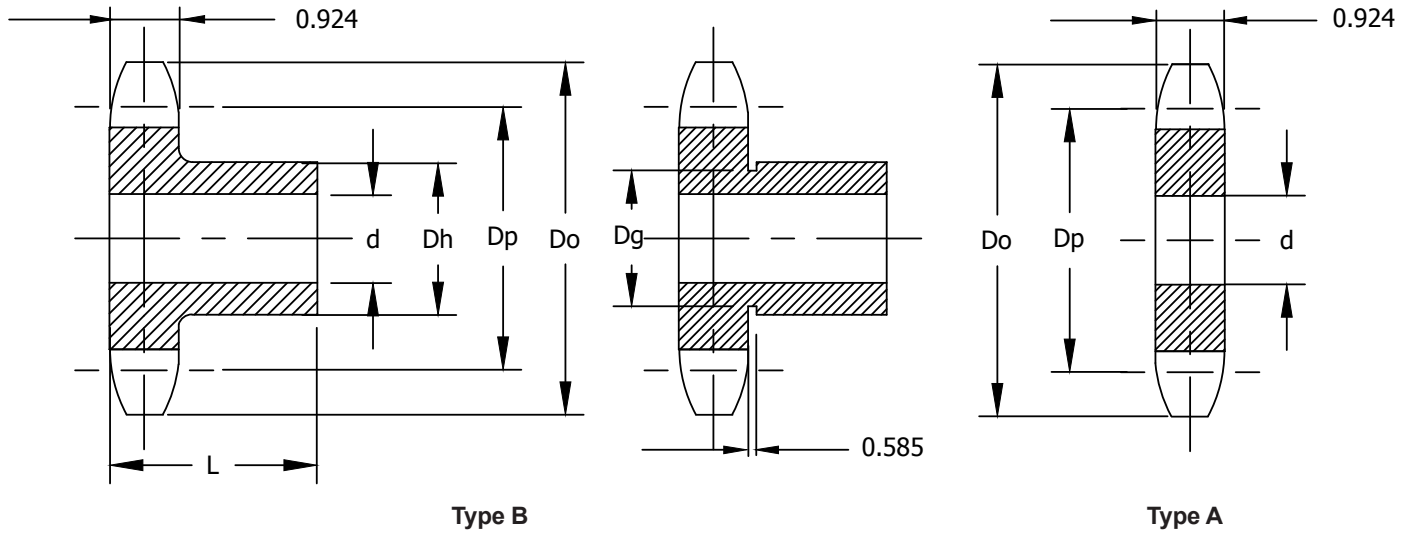


Single - Type TL Style - Taped Bushed

No. of Teeth	Part Number	Bushing	Diameters		Max Bore	Length Thru L	Hub Diameter C	Approx Weight Lbs
			Outside Do	Pitch Dp				
11	100BTL11H	1615	5.007"	4.437"	1 5/8	1 1/2	3	2.70
12	100BTL12H	1615	5.415"	4.83"	1 5/8	1 1/2	3 1/4	3.50
13	100BTL13H	2012	5.821"	5.223"	2	1 1/4	3 9/16	3.60
14	100BTL14H	2012	6.227"	5.617"	2	1 1/4	3 9/16	3.90
15	100BTL15H	2517	6.631"	6.012"	2 1/2	1 3/4	4 1/4	5.00
16	100BTL16H	2517	7.034"	6.407"	2 1/2	1 3/4	4 1/2	6.40
17	100BTL17H	2517	7.437"	6.803"	2 1/2	1 3/4	4 1/2	7.10
18	100BTL18H	2517	7.839"	7.198"	2 1/2	1 3/4	4 1/2	7.80
19	100BTL19H	2517	8.241"	7.594"	2 1/2	1 3/4	4 1/2	8.70
20	100BTL20H	2517	8.642"	7.991"	2 1/2	1 3/4	4 1/2	9.60
21	100BTL21H	2517	9.043"	8.387"	2 1/2	1 3/4	4 1/2	10.60
22	100BTL22H	2517	9.444"	8.783"	2 1/2	1 3/4	4 1/2	11.00
24	100BTL24H	2517	10.245"	9.577"	2 1/2	1 3/4	4 1/2	13.00
26	100BTL26H	2517	11.045"	10.37"	2 1/2	1 3/4	4 1/2	15.00
28	100BTL28H	3020	11.844"	11.164"	3	2	5 1/4	16.50
30	100BTL30H	3020	12.643"	11.958"	3	2	5 1/4	22.00
32	100BTL32	3020	13.442"	12.753"	3	2	5 1/4	23.00
35	100BTL35	3020	14.639"	13.945"	3	2	5 1/4	28.00
36	100BTL36	3020	15.038"	14.342"	3	2	5 1/4	31.00
40	100BTL40	3020	16.633"	15.932"	3	2	5 1/4	37.00

120 Sprocket

1 1/2" Pitch



Single - Type B & C (Hub Type)

Single - Type A (Plate Type)

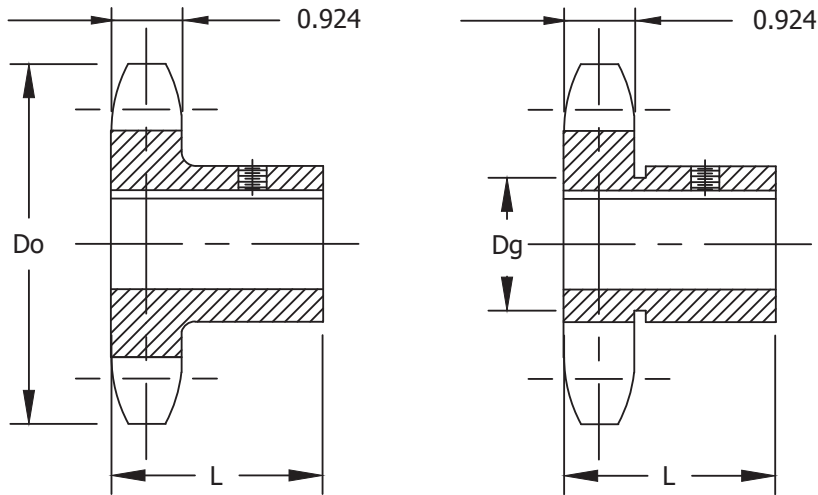
No. of Teeth	Part Number	Diameters		Bore		Hub		Approx Weight Lbs	Part Number	Stock Bore	Approx Weight Lbs
		Outside Do	Pitch Dp	Stock	Rec. Maximum	Diameter Dh	Length Thru L				
9	120B09	5.02	4.386	1 3/8	1 13/16	*3 3/8	2 1/4	5.30	120A09	1 1/4	3.00
10	120B10	5.52	4.854	1 3/8	2 1/4	*3 3/4	2 1/4	7.10	120A10	1 1/4	3.80
11	120B11	6.01	5.325	1 3/8	2 3/8	3 9/16	2 1/8	7.60	120A11	1 1/4	4.80
12	120B12	6.50	5.796	1 3/8	2 3/4	4 1/8	2 1/8	9.90	120A12	1 1/4	5.80
13	120B13	6.99	6.269	1 3/8	3	4 9/16	2 1/4	12.40	120A13	1 1/4	6.70
14	120B14	7.47	6.741	1 3/8	3 1/4	4 3/4	2 1/4	14.40	120A14	1 1/4	8.00
15	120B15	7.96	7.215	1 1/4	3 1/4	4 3/4	2 3/8	16.70	120A15	1 1/4	9.10
16	120B16	8.44	7.869	1 1/4	3 1/2	5 1/4	2 3/8	19.90	120A16	1 1/4	10.60
17	120B17	8.92	8.163	1 1/4	3 1/2	5 1/4	2 3/8	20.80	120A17	1 1/4	12.60
18	120B18	9.41	8.639	1 1/4	3 1/2	5 1/4	2 3/8	22.20	120A18	1 1/4	13.60
19	120B19	9.89	9.114	1 1/4	3 1/2	5 1/4	2 3/8	24.80	120A19	1 1/4	15.10
20	120B20	10.37	9.588	1 1/4	3 1/2	5 1/4	2 3/8	25.80	120A20	1 1/4	16.90
21	120B21	10.85	10.065	1 1/4	3 1/2	5 1/4	2 3/8	26.70	120A21	1 1/4	18.70
22	120B22	11.33	10.541	1 1/4	3 1/2	5 1/4	2 3/8	28.20	120A22	1 1/4	20.00
23	120B23	11.81	11.016	1 1/4	3 1/2	5 1/4	2 3/8	30.30	120A23	1 1/4	22.10
24	120B24	12.29	11.492	1 1/4	3 1/2	5 1/4	2 3/8	32.10	120A24	1 1/4	24.80
25	120B25	12.77	11.969	1 1/4	3 1/2	5 1/4	2 3/8	34.60	120A25	1 1/4	26.80
26	120B26	13.25	12.440	1 1/2	4	6	2 1/2	40.00	120A26	1 1/2	28.30
28	120B28	14.21	13.397	1 1/2	4	6	2 1/2	44.90	120A28	1 1/2	33.60
30	120B30	15.17	14.351	1 1/2	4	6	2 1/2	50.20	120A30	1 1/2	39.00
32	120B32	16.13	15.303	1 1/2	4	6	2 1/2	56.00	120A32	1 1/2	43.90
35	120B35	17.57	16.734	1 1/2	4	6	2 1/2	62.40	120A35	1 1/2	52.00
36	120B36	18.05	17.211	1 1/2	4	6	2 1/2	66.40	120A36	1 1/2	56.00
40	120C40	19.96	19.119	1 1/2	4	6	3 3/4	92.00	120A40	1 1/2	71.00
42	120C42	20.92	20.073	1 1/2	4	6	3 3/4	98.00	120A42	1 1/2	75.00
45	120C45	22.35	21.504	1 1/2	4	6	3 3/4	99.20	120A45	1 1/2	88.00
48	120C48	23.79	22.935	1 1/2	4	6	4	113.00	120A48	1 1/2	103.00

Suffix H indicates Hardened Teeth

* Indicates has recessed groove in hub for chain clearance. Groove diameter Dg is indicated in the table on following page

120 Sprocket

1 1/2" Pitch



* Indicates has recessed groove in hub for chain clearance.
Groove diameter Dg is indicated below:

Part #	Dg (in.)
120B09H	2.619"
120B10H	3.104"

Single - Type BS (Hub Type) Finished Bore - Keyway with 2 Set Screws

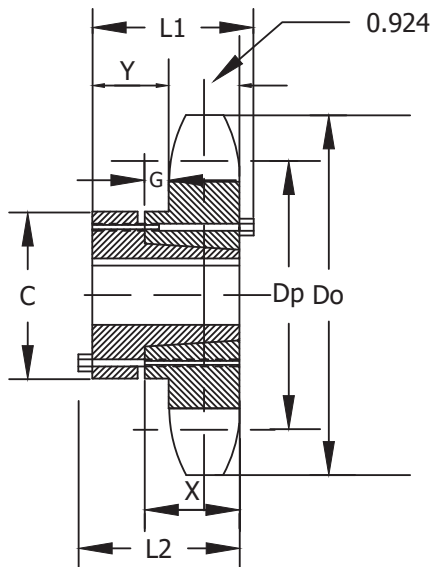
No. of Teeth	Part Number	Diameters		Hub		Approx Weight Lbs	Stock Finished Bore (includes Keyway and Set Screws)		
		Outside Do	Pitch Dp	Diameter Dh	Length L				
9	120BS09H	5.02	4.386	*3 3/8	2.25	3	1	1 1/4	2
10	120BS10H	5.52	4.854	*3 3/4	2.25	3.8	1	1 1/4	2
11	120BS11H	6.01	5.325	3 9/16	2.125	4.8	1	1 1/4	2
12	120BS12H	6.5	5.796	4 1/8	2.125	5.8	1	1 1/4	2
13	120BS13H	6.99	6.269	4 9/16	2.25	6.7	1	1 1/4	2
14	120BS14H	7.47	6.741	4.75	2.25	8	1	1 1/4	2
15	120BS15H	7.96	7.215	4.75	2.375	9.1	1	1 1/4	2
16	120BS16H	8.44	7.869	5.25	2.375	10.6	1	1 1/4	2
17	120BS17H	8.92	8.163	5.25	2.375	12.6	1	1 1/4	2
18	120BS18H	9.41	8.639	5.25	2.375	15.1	1	1 1/4	2
19	120BS19H	9.89	9.114	5.25	2.375	16.9	1	1 1/4	2
20	120BS20H	10.37	9.588	5.25	2.375	18.7	1	1 1/4	2
21	120BS21H	10.85	10.065	5.25	2.375	20	1	1 1/4	2
22	120BS22	11.33	10.541	5.25	2.375	22.1	1	1 1/4	2
23	120BS23	11.81	11.016	5.25	2.375	24.8	1	1 1/4	2
24	120BS24	12.29	11.492	5.25	2.375	26.8	1	1 1/4	2
25	120BS25	12.77	11.969	5.25	2.375	28.3	1	1 1/4	2
26	120BS26	13.25	12.44	6	2.5	33.6	1	1 1/4	2
28	120BS28	14.21	13.397	6	2.5	39	1	1 1/4	2
30	120BS30	15.17	14.351	6	2.5	43.9	1	1 1/4	2
32	120BS32	16.13	15.303	6	2.5	50	1	1 1/4	2
35	120BS35	17.57	16.734	6	2.5	52	1	1 1/4	2
36	120BS36	18.05	17.211	6	2.5	56	1	1 1/4	2
40	120BS40	19.96	19.119	6	3.75	71	1	1 1/4	2

Suffix H indicates Hardened Teeth

Weight will vary significantly based on bore size

120 Sprocket

1 1/2" Pitch



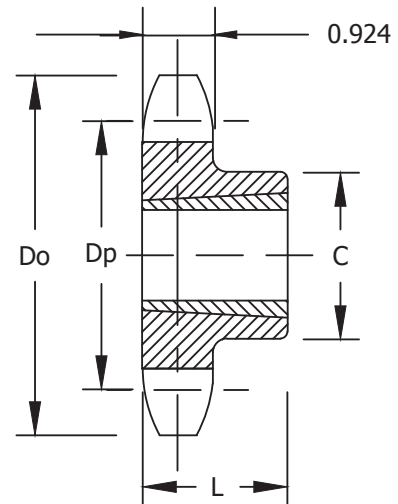
Single - Type QD Style - Bushed

No. of Teeth	Part Number	Bushing	Diameters		Type	Max Bore	Hub Diameter C	Dimensions				Approx Weight Lbs
			Outside Do	Pitch Dp				L1	L2	X	Y	
12	120SF12H	SF	6.500	5.796	B	2 15/16	4 5/8	2 1/4	2 1/4	1 1/4	1 5/64	4.60
13	120SF13H	SF	6.990	6.268	B	2 15/16	4 5/8	2 1/4	2 1/4	1 1/4	1 5/64	5.90
14	120SF14H	SF	7.470	6.741	B	2 15/16	4 5/8	2 1/4	2 1/4	1 1/4	1 5/64	7.30
15	120SF15H	SF	7.960	7.215	B	2 15/16	4 5/8	2 1/4	2 1/4	1 1/4	1 5/64	8.10
16	120E16H	E	8.440	7.689	B1	3 1/2	6	2 5/8	2 15/16	1 5/8	1 9/16	10.90
17	120E17H	E	8.920	8.163	B1	3 1/2	6	2 5/8	2 15/16	1 5/8	1 9/16	12.10
18	120E18H	E	9.410	8.638	B1	3 1/2	6	2 5/8	2 15/16	1 5/8	1 9/16	14.70
19	120E19H	E	9.890	9.113	B1	3 1/2	6	2 5/8	2 15/16	1 5/8	1 9/16	15.80
20	120E20H	E	10.370	9.589	B1	3 1/2	6	2 5/8	2 15/16	1 5/8	1 9/16	18.80
21	120E21H	E	10.850	10.064	B1	3 1/2	6	2 5/8	2 15/16	1 5/8	1 9/16	19.30
22	120E22H	E	11.330	10.540	B1	3 1/2	6	2 5/8	2 15/16	1 5/8	1 9/16	21.80
23	120E23H	E	11.810	11.016	B1	3 1/2	6	2 5/8	2 15/16	1 5/8	1 9/16	23.30
24	120E24H	E	12.290	11.492	B1	3 1/2	6	2 5/8	2 15/16	1 5/8	1 9/16	25.70
25	120E25H	E	12.770	11.968	B1	3 1/2	6	2 5/8	2 15/16	1 5/8	1 9/16	27.20
26	120E26H	E	13.250	12.444	B1	3 1/2	6	2 5/8	2 15/16	1 5/8	1 9/16	30.30
28	120E28H	E	14.210	13.397	B1	3 1/2	6	2 5/8	2 15/16	1 5/8	1 9/16	35.20
30	120E30H	E	15.170	14.350	B1	3 1/2	6	2 5/8	2 15/16	1 5/8	1 9/16	39.30
32	120F32	F	16.130	15.303	C	3 15/16	6 5/8	3 5/8	4	2 1/2	1	50.90
35	120F35	F	17.570	16.734	C	3 15/16	6 5/8	3 5/8	4	2 1/2	1	63.20
36	120F36	F	18.050	17.211	C	3 15/16	6 5/8	3 5/8	4	2 1/2	1	65.00

Suffix H indicates Hardened Teeth

120 Sprocket

1 1/2" Pitch

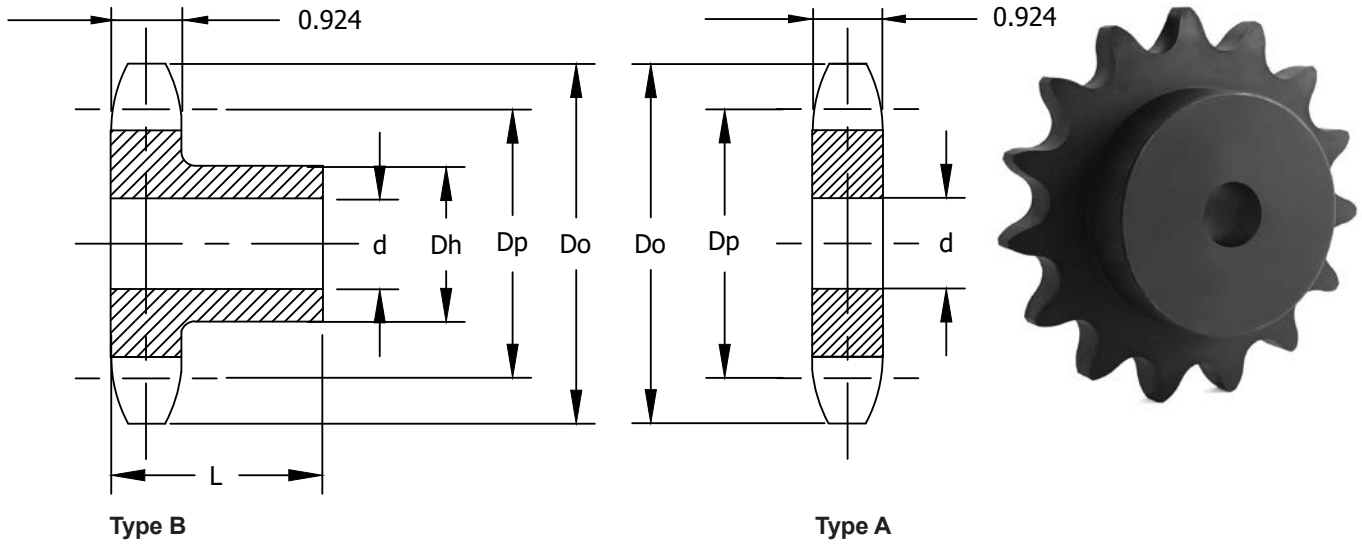


Single - Type TL Style - Taped Bushed

No. of Teeth	Part Number	Bushing	Diameters		Type	Max Bore	Length Thru L	Hub Diameter C	Approx Weight Lbs
			Outside Do	Pitch Dp					
12	120BTL12H	2012	6.498	5.796	B	2	1 1/4	3 9/16	5.50
13	120BTL13H	2517	6.896	6.268	B	2 1/2	1 3/4	4 1/4	6.00
14	120BTL14H	2517	7.472	6.741	B	2 1/2	1 3/4	4 1/4	7.00
15	120BTL15H	2517	7.957	7.215	B	2 1/2	1 3/4	4 1/4	8.00
16	120BTL16H	3020	8.441	7.689	B	3	2	5 1/4	10.00
17	120BTL17H	3020	8.924	8.163	B	3	2	5 1/4	11.00
18	120BTL18H	3020	9.407	8.638	B	3	2	5 1/4	12.00
19	120BTL19H	3020	9.889	9.113	B	3	2	5 1/4	14.00
20	120BTL20H	3020	10.371	9.588	B	3	2	5 1/4	15.50
21	120BTL21H	3020	10.851	10.064	B	3	2	5 1/4	17.50
24	120BTL24H	3020	12.294	11.492	B	3	2	5 1/4	23.50
26	120BTL26H	3020	13.254	12.444	B	3	2	5 1/4	28.50
30	120BTL30H	3020	15.171	14.351	B	3	2	5 1/4	33.50
35	120CTL35	3020	17.566	16.734	C	3	2	5 1/4	52.00
45	120CTL45	3030	22.351	21.503	C	3	2	5 7/8	85.00
60	120CTL60	3535	29.522	28.661	C	3 1/2	3 1/2	6 1/2	140.00
70	120CTL70	3535	34.301	33.434	C	3 1/2	3 1/2	6 1/2	175.00
80	120CTL80	3535	39.078	38.207	C	3 1/4	3 1/2	6 1/2	220.00

140 Sprocket

1 3/4" Pitch



Single - Type B & C (Hub Type)

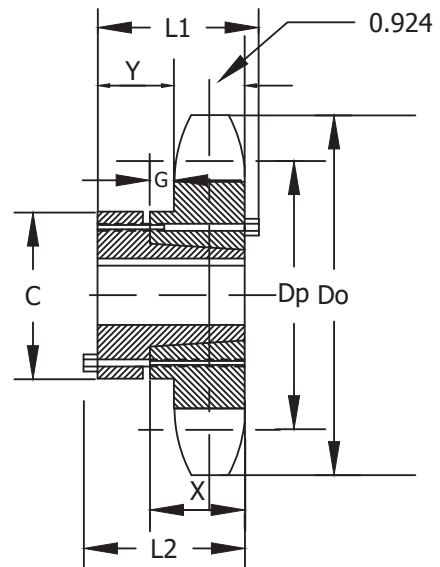
Single - Type A (Plate Type)

No. of Teeth	Part Number	Diameters		Bore		Hub		Approx Weight Lbs	Part Number	Stock Bore	Approx Weight Lbs
		Outside D_o	Pitch D_p	Stock	Rec. Maximum	Diameter D_h	Length Thru L				
11	140B11	7.010	6.212	1 1/2	2 3/4	4 1/4	2 1/4	11.3	140A11	1 1/2	5.00
12	140B12	7.580	7.580	1 1/2	3	4 1/2	2 1/4	13.2	140A12	1 1/2	7.80
13	140B13	8.150	7.313	1 1/2	3 9/16	5 5/16	2 3/8	18.9	140A13	1 1/2	8.20
14	140B14	8.720	7.864	1 1/2	3 3/4	5 1/2	2 3/8	20.4	120A14	1 1/2	10.00
15	140B15	9.280	8.417	1 1/2	4 1/4	6 1/4	2 3/8	25.1	140A15	1 1/2	11.00
16	140B16	9.850	8.970	1 1/2	4 1/4	6 1/4	2 1/2	27.9	140A16	1 1/2	14.00
17	140B17	10.410	9.524	1 1/2	4 1/4	6 1/4	2 1/2	29.8	140A17	1 1/2	16.00
18	140B18	10.980	10.078	1 1/2	4 1/4	6 1/4	2 1/2	32.0	140A18	1 1/2	18.00
19	140B19	11.540	10.632	1 1/2	4 1/4	6 1/4	2 1/2	34.1	140A19	1 1/2	21.00
20	140B20	12.100	11.187	1 1/2	4 1/4	6 1/4	2 1/2	36.0	140A20	1 1/2	23.00
21	140B21	12.660	11.742	1 1/2	4 1/4	6 1/4	2 1/2	38.7	140A21	1 1/2	25.00
22	140B22	13.220	12.297	1 1/2	4 1/4	6 1/4	2 1/2	40.6	140A22	1 1/2	28.00
23	140B23	13.780	12.852	1 1/2	4 1/4	6 1/4	2 1/2	42.1	140A23	1 1/2	30.00
24	140B24	14.340	13.407	1 1/2	4 1/4	6 1/4	2 1/2	46.2	140A24	1 1/2	33.00
25	140B25	14.900	13.963	1 1/2	4 1/4	6 1/4	2 1/2	47.8	140A25	1 1/2	34.00
26	140B26	15.460	14.518	1 1/2	4 1/4	6 1/4	3	57.2	140A26	1 1/2	39.00
30	140B30	17.700	16.742	1 1/2	4 1/4	6 1/4	3	69.8	140A30	1 1/2	52.00
35	140C35	20.490	19.523	1 1/2	5 1/4	7	4	108.0	140A35	1 1/2	73.00
40	140C40	23.290	22.305	1 1/2	5 1/4	7	4	121.0	140A40	1 1/2	93.00
45	140C45	26.080	25.087	1 1/2	5 1/4	7	4	142.0	140A45	1 1/2	131.00
48	140C48	27.750	26.757	1 1/2	5 1/4	7	4	150.0	140A48	1 1/2	134.00
54	140C54	31.100	30.097	1 1/2	5 1/4	7	4	177.0	140A54	1 1/2	173.00
60	140C60	34.440	33.438	1 1/2	5 1/4	7	5	220.0	140A60	1 1/2	219.00
70	140C70	40.020	39.006	1 1/2	5 3/8	7 1/2	5	282.0	140A70	1 1/2	292.00
80	140C80	45.590	44.575	1 1/2	5 3/8	7 1/2	5	331.0	140A80	1 1/2	402.00

Suffix H indicates Hardened Teeth

140 Sprocket

1 3/4" Pitch



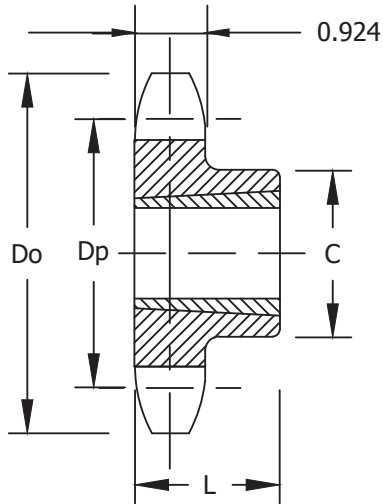
Single - Type QD Style - Bushed

No. of Teeth	Part Number	Bushing	Diameters		Type	Max Bore	Hub Diameter C	Dimensions				Approx Weight Lbs
			Outside Do	Pitch Dp				L1	L2	X	Y	
11	140SF11	SF	7.010	6.212	B	2 15/16	4 5/8	2 1/4	2 1/4	1 1/4	1 5/64	5.60
12	140SF12	SF	7.580	6.762	B	2 15/16	4 5/8	2 1/4	2 1/4	1 1/4	1 5/64	7.40
13	140SF13	SF	8.150	7.313	B	2 15/16	4 5/8	2 1/4	2 1/4	1 1/4	1 5/64	8.90
14	140E14	E	8.720	7.864	B1	3 1/2	6	2 5/8	2 15/16	1 5/8	1 9/16	11.60
15	140E15	E	9.280	8.417	B1	3 1/2	6	2 5/8	2 15/16	1 5/8	1 9/16	14.20
16	140E16	E	9.850	8.970	B1	3 1/2	6	2 5/8	2 15/16	1 5/8	1 9/16	15.90
17	140E17	E	10.410	9.524	B1	3 1/2	6	2 5/8	2 15/16	1 5/8	1 9/16	18.00
18	140E18	E	10.980	10.078	B1	3 1/2	6	2 5/8	2 15/16	1 5/8	1 9/16	19.60
19	140E19	E	11.540	10.632	B1	3 1/2	6	2 5/8	2 15/16	1 5/8	1 9/16	22.00
20	140E20	E	12.100	11.187	B1	3 1/2	6	2 5/8	2 15/16	1 5/8	1 9/16	24.60
21	140E21	E	12.660	11.742	B1	3 1/2	6	2 5/8	2 15/16	1 5/8	1 9/16	27.60
22	140E22	E	13.220	12.297	B1	3 1/2	6	2 5/8	2 15/16	1 5/8	1 9/16	29.50
23	140F23	F	13.780	12.852	B1	3 15/16	6 5/8	3 5/8	4	2 1/2	2 9/16	36.40
24	140F24	F	14.340	13.407	B1	3 15/16	6 5/8	3 5/8	4	2 1/2	2 9/16	40.10
25	140F25	F	14.900	13.963	B1	3 15/16	6 5/8	3 5/8	4	2 1/2	2 9/16	42.30
26	140F26	F	15.460	14.518	B1	3 15/16	6 5/8	3 5/8	4	2 1/2	2 9/16	46.50
30	140F30	F	17.700	16.742	B1	3 15/16	6 5/8	3 5/8	4	2 1/2	2 9/16	60.40
35	140F35	F	20.490	19.523	C	3 15/16	6 5/8	3 5/8	4	2 1/2	1	78.00
36	140F36	F	21.050	20.079	C	3 15/16	6 5/8	3 5/8	4	2 1/2	1	84.00
40	140J40	J	23.290	22.305	C	4 7/16	7 1/4	4 1/2	5	3 3/16	1 3/16	98.00
45	140J45	J	26.080	25.087	C	4 7/16	7 1/4	4 1/2	5	3 3/16	1 3/16	120.00
48	140J48	J	27.750	26.757	C	4 7/16	7 1/4	4 1/2	5	3 3/16	1 3/16	129.00
54	140J54	J	31.100	30.097	C	4 7/16	7 1/4	4 1/2	5	3 3/16	1 3/16	149.00
60	140J60	J	34.440	33.438	C	4 7/16	7 1/4	4 1/2	5	3 3/16	1 3/16	186.00

Suffix H indicates Hardened Teeth

140 Sprocket

1 3/4" Pitch

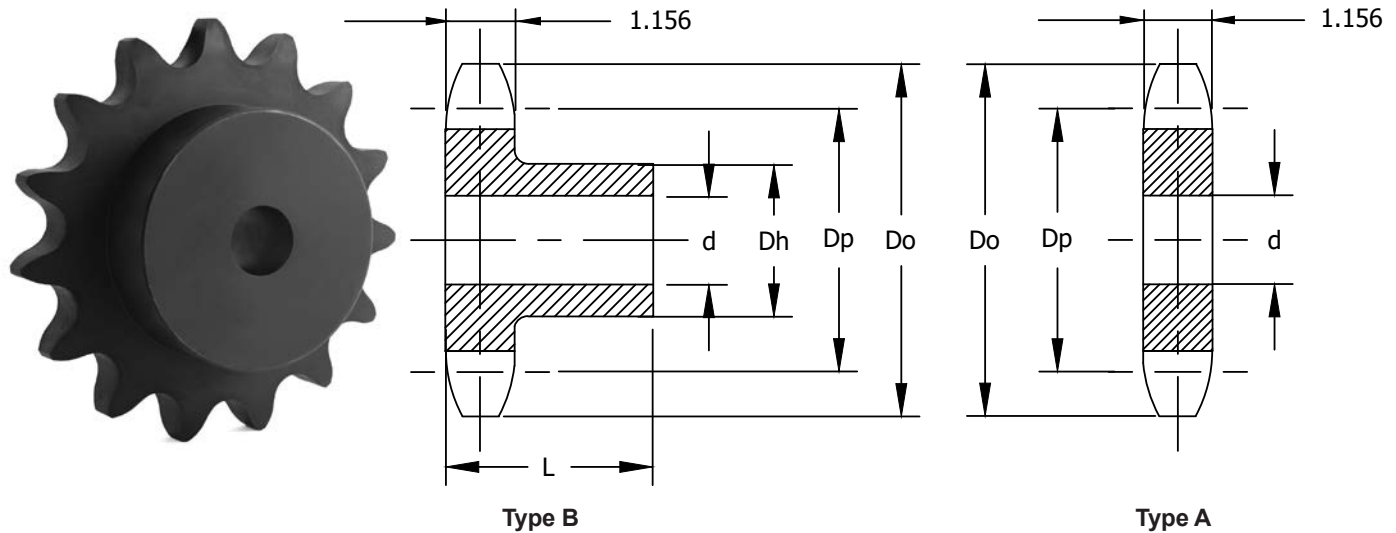


Single - Type TL Style - Taped Bushed

No. of Teeth	Part Number	Bushing	Diameters		Type	Max Bore	Length Thru L	Hub Diameter C	Approx Weight Lbs
			Outside Do	Pitch Dp					
12	140BTL12	2517	7.581	6.762	B	2 1/2	1 3/4	4 1/4	7.00
13	140BTL13	3020	8.150	7.313	B	3	2	5 1/4	8.00
14	140BTL14	3020	8.718	7.864	B	3	2	5 1/4	10.00
15	140BTL15	3020	9.283	8.417	B	3	2	5 1/4	12.00
16	140BTL16	3020	9.848	8.970	B	3	2	5 1/4	14.00
17	140BTL17	3020	10.411	9.524	B	3	2	5 1/4	16.00
18	140BTL18	3020	10.975	10.078	B	3	2	5 1/4	18.00
19	140BTL19	3020	11.537	10.632	B	3	2	5 1/4	20.00
21	140BTL21	3020	12.660	11.742	B	3	2	5 1/4	24.00
26	140BTL26	3020	15.463	14.518	B	3	2	5 1/4	40.00
35	140CTL35	3535	20.494	19.523	C	3 1/2	3 1/2	6 1/2	78.00
45	140CTL45	4040	26.076	25.087	C	4	4	7 3/4	118.00
60	140CTL60	4040	34.442	33.438	C	4	4	7 3/4	188.00
70	140CTL70	4040	40.017	39.006	C	4	4	7 3/4	241.00

160 Sprocket

2" Pitch



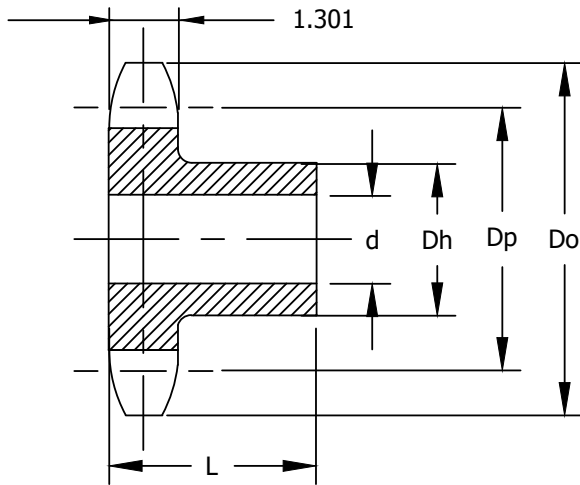
Single - Type B & C (Hub Type)

Single - Type A (Plate Type)

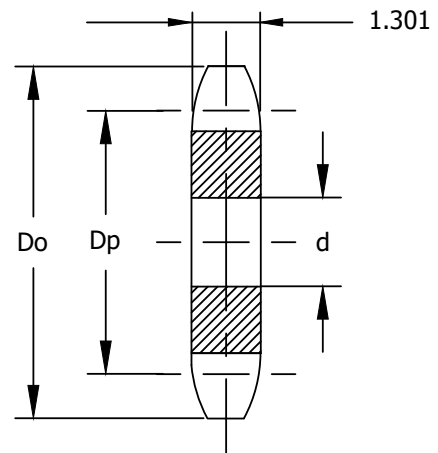
No. of Teeth	Part Number	Diameters		Bore		Hub		Approx Weight Lbs	Part Number	Stock Bore	Approx Weight Lbs
		Outside Do	Pitch Dp	Stock	Rec. Maximum	Diameter Dh	Length Thru L				
8	160B08	6.030	5.226	1 1/2	1 7/8	3 1/4	2 1/4	8.00	160A08	1 1/2	5.00
9	160B09	6.700	5.848	1 1/2	2 1/8	3 5/8	2 1/4	10.00	160A09	1 1/2	7.00
10	160B10	7.360	6.472	1 1/2	2 3/4	4 1/8	2 1/4	12.00	160A10	1 1/2	8.00
11	160B11	8.010	7.100	1 1/2	3 1/4	4 3/4	2 1/2	17.00	160A11	1 1/2	10.00
12	160B12	8.660	7.728	1 1/2	3 3/4	5 1/2	2 1/2	21.00	160A12	1 1/2	12.00
13	160B13	9.310	8.358	1 1/2	4	6	2 3/4	28.00	160A13	1 1/2	16.00
14	160B14	9.960	8.988	1 1/2	4 1/2	6 1/2	2 3/4	32.00	160A14	1 1/2	17.00
15	160B15	10.610	9.620	1 1/2	5 1/4	6	2 3/4	37.00	160A15	1 1/2	21.00
16	160B16	11.260	10.252	1 1/2	5 1/4	7	2 3/4	41.00	160A16	1 1/2	24.00
17	160B17	11.900	10.844	1 1/2	5 1/4	7	2 3/4	45.00	160A17	1 1/2	27.00
18	160B18	12.540	11.518	1 1/2	5 1/4	7	2 3/4	48.00	160A18	1 1/2	30.00
19	160B19	13.190	12.152	1 1/2	5 1/4	7	2 3/4	52.00	160A19	1 1/2	34.00
20	160B20	13.830	12.784	1 1/2	5 1/4	7	2 3/4	56.00	160A20	1 1/2	38.00
21	160B21	14.470	13.420	1 1/2	5 1/4	7	2 3/4	59.00	160A21	1 1/2	42.00
22	160B22	15.110	14.054	1 1/2	5 1/4	7	2 3/4	65.00	160A22	1 1/2	46.00
23	160B23	15.750	14.688	1 1/2	5 1/4	7	2 3/4	68.00	160A23	1 1/2	50.00
24	160B24	16.390	15.322	1 1/2	5 1/4	7	3	77.00	160A24	1 1/2	56.00
25	160B25	17.030	15.958	1 1/2	5 1/4	7	3	81.00	160A25	1 1/2	61.00
26	160B26	17.670	16.592	1 1/2	5 1/4	7	3	86.00	160A26	1 1/2	65.00
27	160B27	18.310	17.228	1 1/2	5 1/4	7	3	91.00	160A27	1 1/2	71.00
28	160B28	18.950	17.862	1 1/2	5 1/4	7	3	98.00	160A28	1 1/2	77.00
30	160B30	20.230	19.134	1 1/2	5 1/4	7	3	108.00	160A30	1 1/2	90.00
35	160C35	23.420	22.312	1 1/2	5 1/2	8	4 1/2	154.00	160A35	1 1/2	121.00
40	160C40	26.610	25.492	1 1/2	5 1/2	8	4 1/2	196.00	160A40	1 1/2	138.00
45	160C45	29.800	28.672	1 1/2	5 1/2	8	5	234.00	160A45	1 1/2	204.00
54	160C54	35.540	34.396	1 1/2	5 1/2	8	5	276.00	160A54	1 1/2	294.00
60	160C60	39.360	38.214	1 1/2	5 1/2	8	5	329.00	160A60	1 1/2	366.00
70	160C70	45.730	44.578	1 1/2	5 1/2	8	5	446.00	160A70	1 1/2	507.00
80	160C80	52.100	50.942	1 1/2	5 1/2	8	6	612.00	160A80	1 1/2	656.00

180 Sprocket

2 1/4" Pitch



Type B



Type A

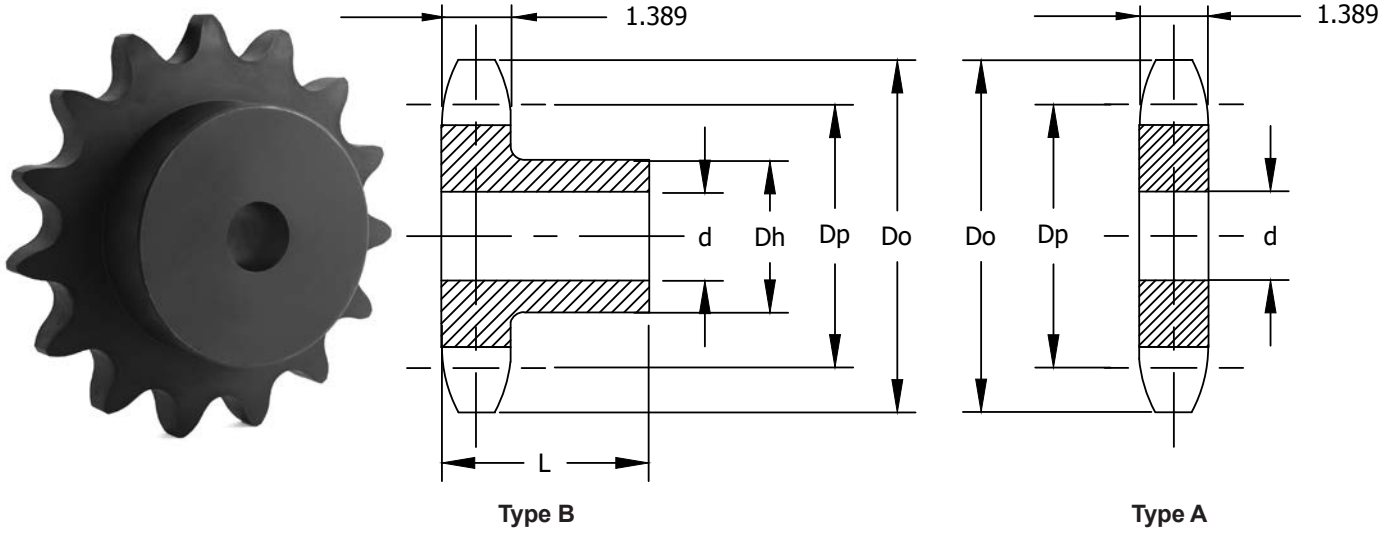
Single - Type B & C (Hub Type)

Single - Type A (Plate Type)

No. of Teeth	Part Number	Diameters		Bore		Hub		Approx Weight Lbs	Part Number	Stock Bore	Approx Weight Lbs
		Outside Do	Pitch Dp	Stock	Rec. Maximum	Diameter Dh	Length Thru L				
11	180B11	9.010	7.986	1 1/2	3 5/8	5 1/2	3	29.0	180A11	1 1/2	14.0
12	180B12	9.750	8.693	1 1/2	4	6	3	32.0	180A12	1 1/2	16.0
16	180B13	10.480	9.402	1 1/2	4 5/8	6 3/4	3 1/8	40.0	180A13	1 1/2	20.0
14	180B14	11.210	10.112	1 1/2	5 1/4	7	3 1/8	44.0	180A14	1 1/2	24.0
15	180B15	11.930	10.822	1 1/2	5 1/4	7	3 1/8	48.0	180A15	1 1/2	28.0
16	180B16	12.660	11.533	1 1/2	5 1/4	7	3 1/8	52.0	180A16	1 1/2	32.0
17	180B17	13.390	12.245	1 1/2	5 1/4	7	3 1/8	58.0	180A17	1 1/2	37.0
18	180B18	14.110	12.957	1 1/2	5 1/4	7	3 1/8	63.0	180A18	1 1/2	43.0
19	180B19	14.830	13.670	1 1/2	5 3/8	7 1/2	3 3/8	74.0	180A19	1 1/2	47.0
20	180B20	15.560	14.383	1 1/2	5 3/8	7 1/2	3 3/8	81.0	180A20	1 1/2	53.0
21	180B21	16.280	15.096	1 1/2	5 3/8	7 1/2	3 3/8	83.0	180A21	1 1/2	57.0
22	180B22	17.000	15.810	1 1/2	5 3/8	7 1/2	3 3/8	92.0	180A22	1 1/2	62.0
23	180B23	17.720	16.524	1 1/2	5 3/8	7 1/2	3 3/8	99.0	180A23	1 1/2	69.0
24	180B24	18.440	17.238	1 1/2	5 3/8	7 1/2	3 3/8	105.0	180A24	1 1/2	77.0
25	180B25	19.160	17.952	1 1/2	5 3/8	7 1/2	3 3/8	113.0	180A25	1 1/2	84.0
28	180B28	21.320	20.096	1 1/2	5 1/2	8	3 1/2	135.0	180A28	1 1/2	104.0
30	180C30	22.760	21.525	1 1/2	5 3/4	8 1/2	4 3/8	180.0	180A30	1 1/2	120.0
35	180C35	26.350	25.100	1 1/2	5 3/4	8 1/2	4 3/8	222.0	180A35	1 1/2	172.0
40	180C40	29.940	28.677	1 1/2	5 3/4	8 1/2	4 3/8	270.0	180A40	1 1/2	229.0
45	180C45	33.530	32.255	1 1/2	6	9	5	315.0	180A45	1 1/2	284.0
54	180C54	39.980	38.696	1 1/2	6	9	5	477.0	180A54	1 1/2	420.0
60	180C60	44.280	42.991	1 1/2	6 1/2	9 1/2	5 3/8	489.0	180A60	1 1/2	505.0

200 Sprocket

2 1/2" Pitch



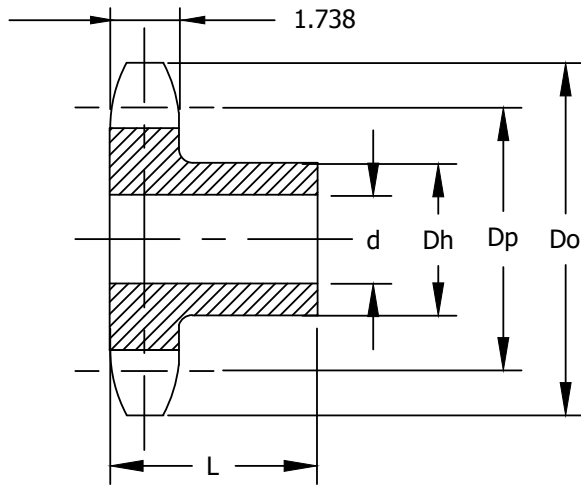
Single - Type B & C (Hub Type)

Single - Type A (Plate Type)

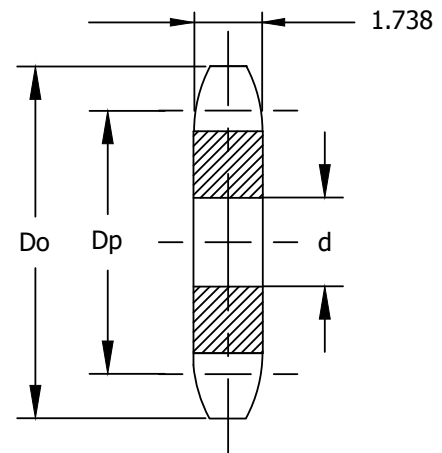
No. of Teeth	Part Number	Diameters		Bore		Hub		Approx Weight Lbs	Part Number	Stock Bore	Approx Weight Lbs
		Outside Do	Pitch Dp	Stock	Rec. Maximum	Diameter Dh	Length Thru L				
10	200B10	9.200	8.091	1 1/2	3 3/4	5 1/2	3	26.0	200A10	1 1/2	16.0
11	200B11	10.020	8.875	1 1/2	4	6	3	33.0	200A11	1 1/2	20.0
12	200B12	10.830	9.660	1 1/2	4 1/2	6 1/2	3	37.0	200A12	1 1/2	24.0
13	200B13	11.640	10.447	1 1/2	5 1/4	7	3	46.0	200A13	1 1/2	30.0
14	200B14	12.460	11.235	1 1/2	5 3/8	7 1/2	3 1/2	59.0	200A14	1 1/2	32.0
15	200B15	13.260	12.025	1 1/2	5 3/8	7 1/2	3 1/2	64.0	200A15	1 1/2	40.0
16	200B16	14.070	12.815	1 1/2	5 3/8	7 1/2	3 1/2	72.0	200A16	1 1/2	46.0
17	200B17	14.870	13.605	1 1/2	5 3/8	7 1/2	3 1/2	76.0	200A17	1 1/2	51.0
18	200B18	15.680	14.397	1 1/2	5 3/8	7 1/2	3 1/2	84.0	200A18	1 1/2	57.0
19	200B19	16.480	15.190	1 1/2	5 3/8	7 1/2	3 1/2	91.0	200A19	1 1/2	65.0
20	200B20	17.290	15.980	1 1/2	5 3/8	7 1/2	3 1/2	98.0	200A20	1 1/2	72.0
21	200B21	18.090	16.775	1 1/2	5 3/8	7 1/2	3 1/2	106.0	200A21	1 1/2	82.0
22	200B22	18.890	15.567	1 1/2	5 3/4	8 1/2	4	131.0	200A22	1 1/2	88.0
23	200B23	19.690	18.360	1 1/2	5 3/4	8 1/2	4	136.0	200A23	1 1/2	95.0
24	200B24	20.490	19.153	1 1/2	5 3/4	8 1/2	4	142.0	200A24	1 1/2	105.0
25	200B25	21.290	19.947	1 1/2	5 3/4	8 1/2	4	153.0	200A25	1 1/2	113.0
26	200B26	22.090	20.740	1 1/2	5 3/4	8 1/2	4 1/2	178.0	200A26	1 1/2	124.0
28	200B28	23.690	22.327	1 1/2	5 3/4	8 1/2	4 1/2	195.0	200A28	1 1/2	144.0
30	200B30	25.290	23.917	1 1/2	5 3/4	8 1/2	4 1/2	212.0	200A30	1 1/2	167.0
32	200B32	26.880	25.505	1 1/2	5 3/4	8 1/2	4 1/2	220.0	200A32	1 1/2	195.0
35	200B35	29.280	27.890	1 1/2	5 3/4	8 1/2	4 1/2	254.0	200A35	1 1/2	227.0
40	200B40	33.270	31.865	1 1/2	6	9	5	320.0	200A40	1 1/2	301.0
45	200B45	37.250	35.840	1 1/2	6	9	5	364.0	200A45	1 1/2	390.0
54	200B54	44.420	42.995	1 1/2	6 1/2	9 1/2	5 1/2	512.0	200A54	1 1/2	555.0
60	200B60	49.200	47.768	1 1/2	6 1/2	9 1/2	5 1/2	654.0	200A60	1 1/2	692.0

240 Sprocket

3" Pitch



Type B



Type A

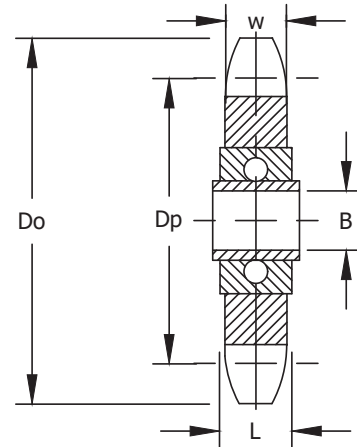
Single - Type B & C (Hub Type)

Single - Type A (Plate Type)

No. of Teeth	Part Number	Diameters		Bore		Hub		Approx Weight Lbs	Part Number	Stock Bore	Approx Weight Lbs
		Outside Do	Pitch Dp	Stock	Rec. Maximum	Diameter Dh	Length Thru L				
10	240B10	11.030	9.708	1 1/2	4 1/2	6 1/2	3 3/8	49.0	240A10	1 1/2	30.0
11	240B11	12.020	10.649	1 1/2	4 3/4	7	3 7/8	66.0	240A11	1 1/2	37.0
12	240B12	13.000	11.591	1 1/2	5 3/8	7 1/2	3 7/8	72.0	240A12	1 1/2	45.0
13	240B13	13.970	12.536	1 1/2	5 3/8	7 1/2	3 7/8	81.0	240A13	1 1/2	54.0
14	240B14	14.840	13.482	1 1/2	5 3/8	7 1/2	3 7/8	88.0	240A14	1 1/2	62.0
15	240B15	15.910	14.429	1 1/2	5 3/8	7 1/2	3 7/8	98.0	240A15	1 1/2	68.0
16	240B16	16.880	15.377	1 1/2	5 1/2	8	4 1/8	120.0	240A16	1 1/2	82.0
17	240B17	17.850	16.327	1 1/2	5 1/2	8	4 1/8	137.0	240A17	1 1/2	93.0
18	240B18	18.810	17.276	1 1/2	5 1/2	8	4 1/8	142.0	240A18	1 1/2	108.0
19	240B19	19.780	18.227	1 1/2	5 1/2	8	4 1/8	154.0	240A19	1 1/2	120.0
20	240B20	20.740	19.177	1 1/2	5 1/2	8	4 1/8	169.0	240A20	1 1/2	128.0
21	240B21	21.710	20.129	1 1/2	5 1/2	8	4 1/8	186.0	240A21	1 1/2	148.0
25	240B25	25.550	23.936	1 1/2	5 1/2	8	4 1/8	254.0	240A25	1 1/2	208.0
30	240C30	30.340	28.701	1 1/2	6	9	6 1/4	398.0	240A30	1 1/2	310.0
35	240C35	35.130	33.467	1 1/2	6	9	6 1/4	527.0	240A35	1 1/2	416.0
40	240C40	39.920	38.237	1 1/2	7	10	6 3/4	672.0	240A40	1 1/2	548.0
45	240C45	44.700	43.007	1 1/2	7	10	6 3/4	850.0	240A45	1 1/2	702.0
54	240C54	53.310	51.595	1 1/2	7	10	6 3/4	1148.0	240A54	1 1/2	1022.0
60	240C60	59.040	57.322	1 1/2	7	10	6 3/4	1419.0	240A60	1 1/2	1268.0

High Speed Ball Bearing Idler Sprockets

The following are the common ball bearing Idler Sprocket sizes. All are produced with hardened teeth and utilize a quality deep groove ball bearing that is lubricated for life with multi-temperature quality bearing grease.



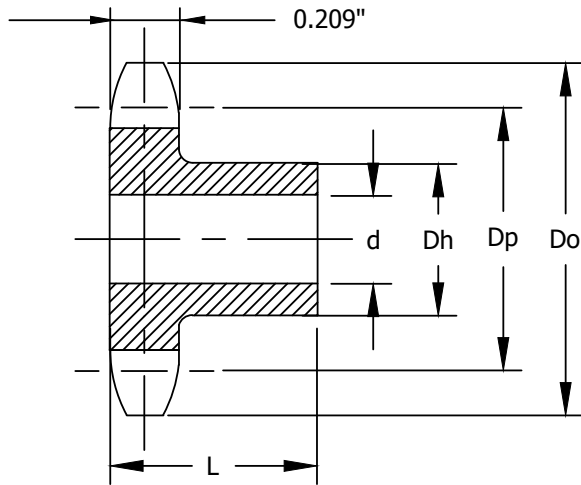
ANSI Chain Size	No. of Teeth	Part Number	Diameter			Length Thru L	Width W	Approx Weight Lbs
			Bore Size B	Outside Do	Pitch Dp			
35	20	35BB20H	0.638	2.590	2.397	0.72	0.17	0.38
40	17	40BB17H	0.638	2.980	2.721	0.72	0.28	0.52
40	18	40BB18H	0.638	3.140	2.879	0.72	0.28	0.53
50	15	50BB15H	0.638	3.320	3.006	0.72	0.34	0.75
50	17	50BB17H	0.638	3.720	3.401	0.72	0.34	0.78
60	13	60BB13H	0.638	3.490	3.134	0.72	0.46	0.76
60	15	60BB15H	0.638	3.980	3.608	0.72	0.46	1.06
80	12	80BB12H	0.750	4.330	3.864	0.61	0.58	1.50

Made-to-Order Idler Sprockets can be produced in various bore sizes, with ball bearings, needle bearings, or other non-rolling bearings

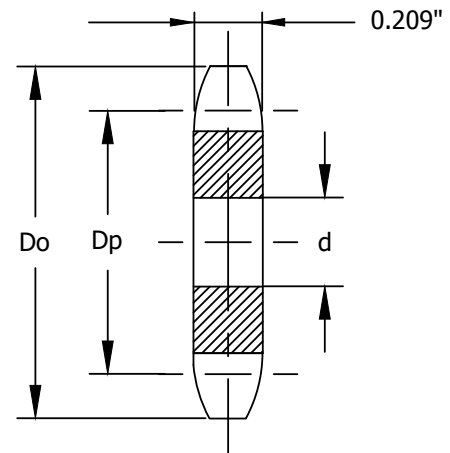
06B Sprocket - ISO

Produced in accordance with ISO/BS228/3 Standards

3/8" Pitch



Type B



Type A

Single - Type B (Hub Type)

Single - Type A (Plate Type)

No. of Teeth	Part Number	Pitch Diameter Dp	Bore		Hub		Approx Weight Lbs	Part Number	Stock Bore	Approx Weight Lbs
			Stock	Rec. Maximum	Diameter Dh	Length Thru L				
10	06B10H	30.82	8	12	20	22	0.13			
11	06B11H	33.81	8	14	23	25	0.20			
12	06B12H	36.80	8	16	26	25	0.22			
13	06B13H	39.80	10	18	29	25	0.24			
14	06B14H	42.80	10	16	31	25	0.26			
15	06B15H	45.81	10	20	34	25	0.31	06A15H	8	0.15
16	06B16H	48.82	10	22	37	25	0.40	06A16H	10	0.18
17	06B17H	51.84	10	25	40	28	0.44	06A17H	10	0.40
18	06B18H	54.85	10	25	43	28	0.51	06A18H	10	0.24
19	06B19H	57.87	10	28	46	28	0.55	06A19H	10	0.26
20	06B20H	60.89	10	30	49	28	0.68	06A20H	10	0.29
21	06B21H	63.91	12	30	50	28	0.79	06A21H	10	0.31
22	06B22H	66.93	12	32	51	28	0.82	06A22H	10	0.33
23	06B23H	69.95	12	32	52	28	0.86	06A23H	10	0.37
24	06B24H	72.97	12	32	54	28	0.88	06A24H	10	0.42
25	06B25H	76.00	12	35	57	28	0.90	06A25H	10	0.44
26	06B26H	79.02	12	38	60	28	0.93	06A26H	10	0.46
27	06B27H	82.05	12	38	60	28	0.97	06A27H	10	0.49
28	06B28H	85.07	12	38	60	28	0.99	06A28H	10	0.51
29	06B29H	88.10	12	38	60	28	1.04	06A29H	10	0.55
30	06B30H	91.12	12	38	60	30	1.06	06A30H	10	0.60
38	06B38H	115.35	16	45	70	30	1.70	06A38H	14	0.95
45	06B45	136.55	16	45	75	30	2.01	06A45	14	1.12
57	06B57	172.91	19	45	75	30	2.80	06A57	18	1.90

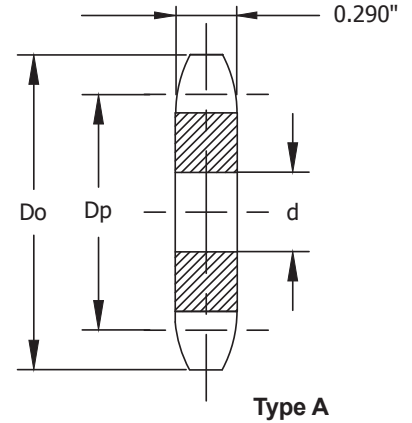
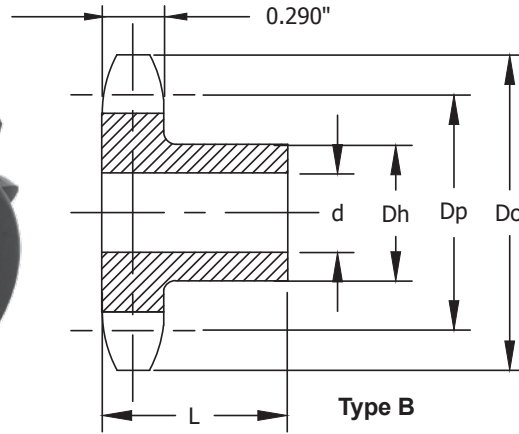
Also available with Finished Bore - Keyway with 2 Set Screws - Type BS in popular metric bore sizes

Suffix H indicates Hardened Teeth

08B Sprocket - ISO

Produced in accordance with ISO/BS228/3 Standards

1/2" Pitch



Single - Type B (Hub Type)

Single - Type A (Plate Type)

No. of Teeth	Part Number	Pitch Diameter Dp	Bore		Hub		Approx Weight Lbs	Part Number	Stock Bore	Approx Weight Lbs
			Stock	Rec. Maximum	Diameter Dh	Length Thru L				
12	08B12H	49.07	10	22	34	28	0.53			
13	08B13H	53.07	10	25	38	28	0.55	08A13H	10	0.22
14	08B14H	57.07	10	28	42	28	0.68	08A14H	10	0.26
15	08B15H	61.08	10	30	46	28	0.73	08A15H	10	0.31
16	08B16H	65.10	12	32	50	28	0.82	08A16H	10	0.33
17	08B17H	69.12	12	35	54	28	1.12	08A17H	10	0.35
18	08B18H	73.14	12	38	57	28	1.19	08A18H	10	0.44
19	08B19H	77.16	12	40	64	28	1.43	08A19H	10	0.46
20	08B20H	81.18	12	42	67	28	1.68	08A20H	10	0.55
21	08B21H	85.21	12	45	70	28	1.81	08A21H	12	0.57
22	08B22H	89.24	12	48	73	28	1.94	08A22H	12	0.66
23	08B23H	93.27	12	51	78	28	2.31	08A23H	12	0.73
24	08B24H	97.30	14	53	82	28	2.31	08A24H	12	0.82
25	08B25H	101.33	14	53	82	28	2.49	08A25H	12	0.88
26	08B26H	105.36	16	53	82	30	2.54	08A26H	16	0.95
27	08B27H	109.40	16	53	82	30	2.62	08A27H	16	0.97
28	08B28H	113.43	16	53	82	30	2.87	08A28H	16	1.10
29	08B29H	117.46	16	53	82	30	2.93	08A29H	16	1.21
30	08B30H	121.50	16	53	89	30	3.00	08A30H	15	1.26
31	08B31H	125.53	16	60	89	30	3.11	08A31H	15	1.41
32	08B32H	129.57	16	60	89	30	3.22	08A32H	15	1.48
33	08B33H	133.61	16	60	89	30	3.33	08A33H	15	1.57
34	08B34H	137.64	16	60	89	30	3.44	08A34H	15	1.63
35	08B35H	141.68	16	60	89	30	3.55	08A35H	15	1.70
36	08B36	145.72	16	60	89	35	3.73	08A36	15	1.83
37	08B37	149.75	16	60	89	35	3.84	08A37	15	1.92
38	08B38	153.79	16	60	89	35	3.92	08A38	15	2.01
39	08B39	157.83	19	60	89	35	4.03	08A39	18	2.03
40	08B40	161.87	19	60	89	35	4.14	08A40	18	2.23
42	08B42	169.94	19	60	89	35	4.34	08A42	18	2.49
45	08B45	182.06	19	60	89	35	4.65	08A45	18	3.15
48	08B48	194.18	19	64	100	35	6.08	08A48	18	3.22
54	08B54	218.42	19	64	100	35	6.86	08A54	18	4.43
57	08B57	230.54	19	64	100	35	7.23	08A57	18	5.00
60	08B60	242.66	19	64	100	35	7.61	08A60	18	4.48

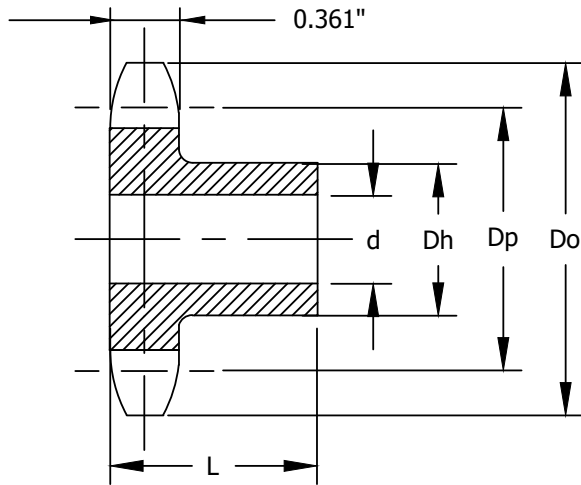
Also available with Finished Bore - Keyway with 2 Set Screws - Type BS in popular metric bore sizes

Suffix H indicates Hardened Teeth

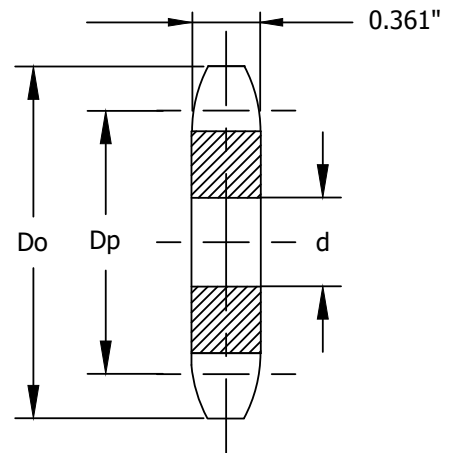
10B Sprocket - ISO

Produced in accordance with ISO/BS228/3 Standards

3/8" Pitch



Type B



Type A

Single - Type B (Hub Type)

Single - Type A (Plate Type)

No. of Teeth	Part Number	Pitch Diameter Dp	Bore		Hub		Approx Weight Lbs	Part Number	Stock Bore	Approx Weight Lbs
			Stock	Rec. Maximum	Diameter Dh	Length Thru L				
10	10B10H	51.37	12	22	32	25	0.51			
11	10B11H	56.35	12	25	37	25	0.60			
12	10B12H	61.34	12	32	43	25	0.71	10A12H	12	0.33
13	10B13H	66.33	12	33	48	25	0.79	10A13H	12	0.42
14	10B14H	71.34	12	36	53	25	0.99	10A14H	12	0.51
15	10B15H	76.36	12	38	57	25	1.30	10A15H	12	0.55
16	10B16H	81.37	12	44	63	25	1.50	10A16H	12	0.68
17	10B17H	86.39	12	47	67	25	1.81	10A17H	12	0.77
18	10B18H	91.42	12	48	73	25	2.01	10A18H	12	0.86
19	10B19H	96.45	16	51	76	25	2.29	10A19H	16	0.95
20	10B20H	101.48	16	51	76	25	2.49	10A20H	16	1.06
21	10B21H	106.51	16	51	76	25	2.60	10A21H	16	1.12
22	10B22H	111.55	16	51	76	25	2.80	10A22H	16	1.30
23	10B23H	116.59	16	51	76	25	3.20	10A23H	16	1.43
24	10B24H	121.62	16	51	76	32	3.31	10A24H	15	1.50
25	10B25H	126.66	16	51	76	32	3.51	10A25H	15	1.61
26	10B26H	131.70	16	51	76	32	3.59	10A26H	15	1.72
27	10B27H	136.74	19	51	76	32	3.70	10A27H	18	1.96
28	10B28H	141.79	19	51	76	32	3.79	10A28H	18	2.05
38	10B38	192.24	19	57	82	32	6.00	10A38	18	4.14
57	10B57	288.18	25	64	95	32	11.62	10A57	24	9.37

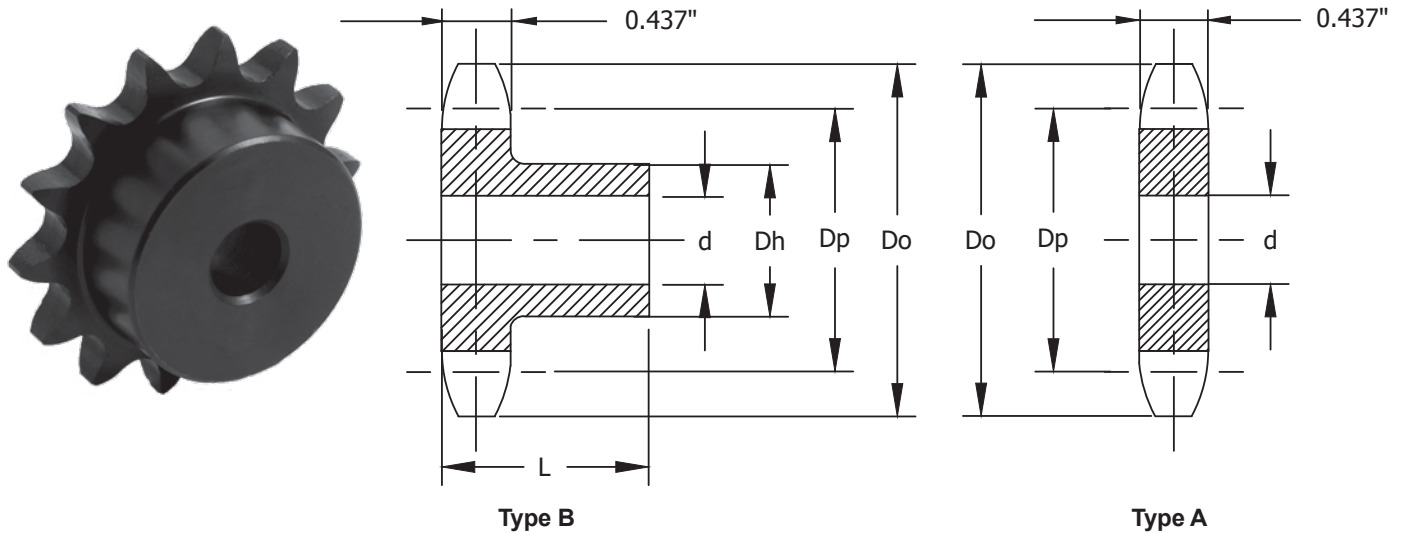
Also available with Finished Bore - Keyway with 2 Set Screws - Type BS in popular metric bore sizes

Suffix H indicates Hardened Teeth

12B Sprocket - ISO

Produced in accordance with ISO/BS228/3 Standards

3/4" Pitch



Single - Type B (Hub Type)

Single - Type A (Plate Type)

No. of Teeth	Part Number	Pitch Diameter Dp	Bore		Hub		Approx Weight Lbs	Part Number	Stock Bore	Approx Weight Lbs
			Stock	Rec. Maximum	Diameter Dh	Length Thru L				
11	12B11H	67.62	12	32	47	35	1.17		14	0.79
12	12B12H	73.60	12	35	53	35	1.48	12A12H	14	0.93
13	12B13H	79.60	12	38	59	35	1.65	12A13H	14	1.06
14	12B14H	85.61	12	42	64	35	2.01	12A14H	14	1.19
15	12B15H	91.63	12	45	70	35	2.51	12A15H	14	1.32
16	12B16H	97.65	16	50	75	35	2.8	12A16H	14	1.5
17	12B17H	103.67	16	52	80	35	3.22	12A17H	14	1.7
18	12B18H	109.71	16	52	80	35	3.73	12A18H	14	1.87
19	12B19H	115.74	16	60	90	35	3.92	12A19H	14	2.09
20	12B20H	121.78	16	64	90	35	4.63	12A20H	14	2.38
21	12B21H	127.82	20	64	100	40	5	12A21H	16	2.54
22	12B22H	133.86	20	64	100	40	5.25	12A22H	16	2.73
23	12B23H	139.90	20	67	100	40	5.49	12A23H	16	2.93
24	12B24H	145.95	20	67	100	40	5.78	12A24H	19	3.24
25	12B25H	151.99	20	67	100	40	6.13	12A25H	19	3.59
26	12B26H	158.04	20	67	100	40	6.37	12A26H	19	3.79
27	12B27H	164.09	20	67	100	40	6.72	12A27H	19	4.21
28	12B28H	170.14	20	67	100	40	6.88	12A28H	19	4.39
30	12B30H	182.25	20	67	100	40	7.58	12A30H	19	5.03
32	12B32	194.35	20	67	100	40	8.27	12A32	19	5.78
34	12B34	206.46	20	67	100	40	8.8	12A34	19	6.42
36	12B36	218.57	20	67	100	40	9.59	12A36	19	7.08
38	12B38	230.69	25	70	107	40	10.85	12A38	24	8.09
40	12B40	242.80	25	70	107	40	11.51	12A40	24	8.82
42	12B42	254.92	25	70	107	40	12.74	12A42	24	9.99
45	12B45	273.09	25	70	107	40	13.98	12A45	25	11.33
46	12B46	279.15	25	70	107	40	14.59	12A46	25	11.75
57	12B57	345.81	32	70	110	45	22.27	12A57	32	17.88

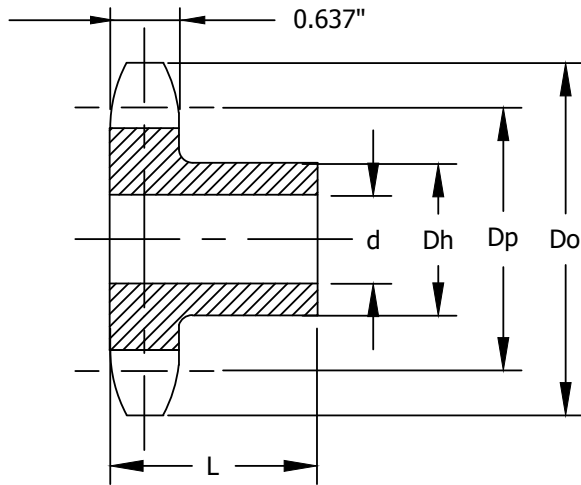
Also available with Finished Bore - Keyway with 2 Set Screws - Type BS in popular metric bore sizes

Suffix H indicates Hardened Teeth

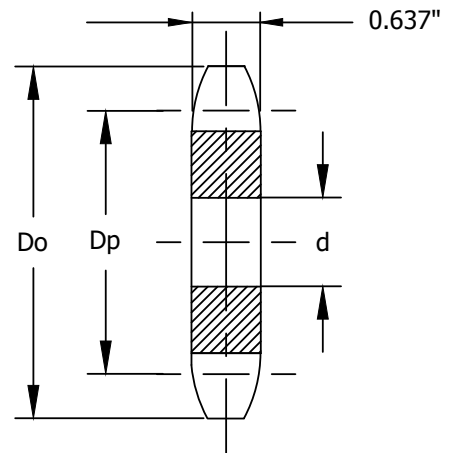
16B Sprocket - ISO

Produced in accordance with ISO/BS228/3 Standards

1" Pitch



Type B



Type A

Single - Type B (Hub Type)

Single - Type A (Plate Type)

No. of Teeth	Part Number	Pitch Diameter Dp	Bore		Hub		Approx Weight Lbs	Part Number	Stock Bore	Approx Weight Lbs
			Stock	Rec. Maximum	Diameter Dh	Length Thru L				
11	16B11H	90.16	16	41	63	40	3.2	24A11H	14	1.81
12	16B12H	98.14	16	47	72	40	4.01	16A12H	14	2.01
13	16B13H	106.14	16	52	79	40	4.01	16A13H	14	2.29
14	16B14H	114.15	16	60	88	40	4.61	16A14H	14	2.69
15	16B15H	122.17	16	62	96	40	5.71	16A15H	14	3
16	16B16H	130.20	20	67	100	45	6.61	16A16H	14	3.4
17	16B17H	138.23	25	67	102	45	7.01	16A17H	14	3.99
18	16B18H	146.27	25	70	108	45	8.31	16A18H	24	4.41
19	16B19H	154.32	25	70	108	45	8.51	16A19H	24	4.7
20	16B20H	162.37	25	70	108	45	9.02	16A20H	24	5.49
21	16B21	170.42	25	70	108	50	10.01	12A21	24	5.8
22	16B22	178.48	25	70	108	50	11	16A22	24	6.22
23	16B23	186.56	25	70	108	50	11.2	16A23	24	6.7
24	16B24	194.60	25	70	108	50	12.21	16A24	24	7.61
25	16B25	202.66	25	70	108	50	12.7	16A25	24	8
26	16B26	210.72	32	80	120	50	15.5	16A26	30	8.6
27	16B27	218.79	32	80	120	50	16.6	16A27	30	9.5
28	16B28	226.86	32	80	120	50	16.71	16A28	30	10.1
30	16B30	243.00	32	80	120	50	18.21	16A30	32	11.51
38	16B38	307.58	32	80	120	50	24.52	16A38	32	17.5
45	16B45	364.12	32	80	120	50	30.03	16A45	32	25.79
57	16B57	461.08	32	85	130	50	48.85	16A57	32	39.99

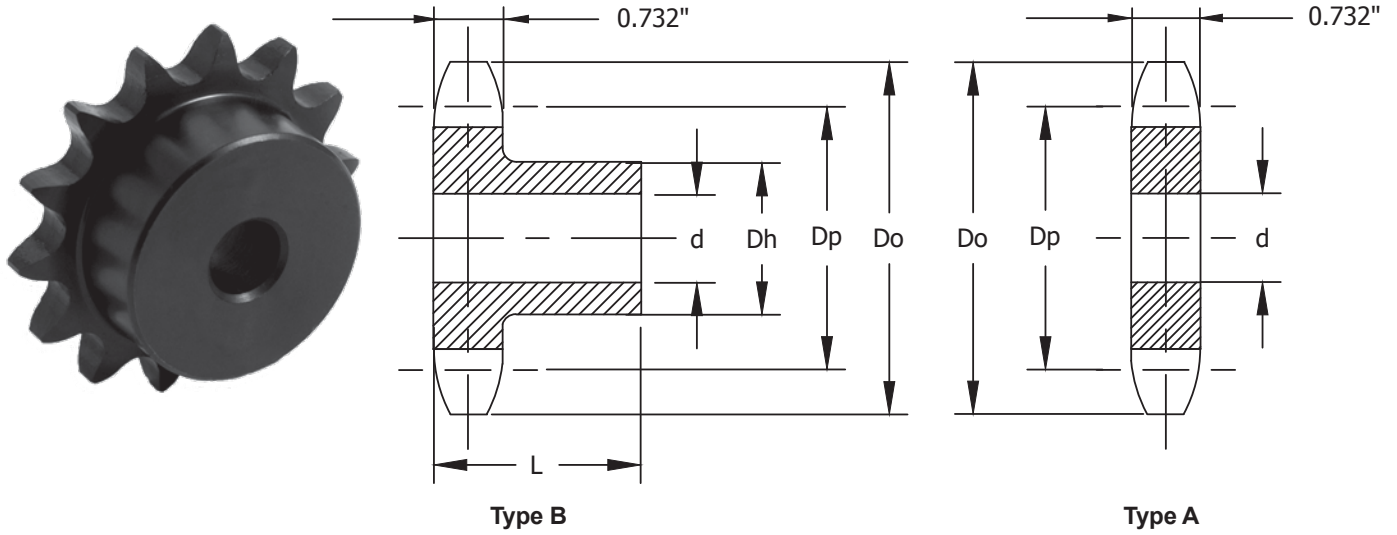
Also available with Finished Bore - Keyway with 2 Set Screws - Type BS in popular metric bore sizes

Suffix H indicates Hardened Teeth

20B Sprocket - ISO

Produced in accordance with ISO/BS228/3 Standards

1 1/4" Pitch



Single - Type B (Hub Type)

Single - Type A (Plate Type)

No. of Teeth	Part Number	Pitch Diameter Dp	Bore		Hub		Approx Weight Lbs	Part Number	Stock Bore	Approx Weight Lbs
			Stock	Rec. Maximum	Diameter Dh	Length Thru L				
11	20B11H	112.70	25	70	79	48	5.29			
12	20B12H	122.67	25	76	90	48	6.5	20A12H	25	4.21
13	20B13H	132.67	25	76	98	41	6.61	20A13H	25	4.81
14	20B14H	142.68	25	76	106	41	7.5	20A14H	25	5.49
15	20B15H	152.71	25	76	114	44	9.5	20A15H	25	5.91
16	20B16H	162.75	25	76	114	44	10.21	20A16H	24	6.79
17	20B17H	172.79	32	76	114	44	11	20A17H	24	7.8
18	20B18	182.84	32	76	114	44	11.99	20A18	30	8.4
19	20B19	192.90	32	76	114	51	13.01	20A19	30	9.5
20	20B20	202.96	32	76	114	51	14	20A20	30	10.1
21	20B21	213.03	32	76	114	51	15.5	20A21	32	11.4
22	20B22	223.10	32	76	114	51	17	20A22	32	12.61
23	20B23	233.17	32	84	114	51	17.99	20A23	32	13.21
24	20B24	243.25	32	84	114	51	19	20A24	32	14.59
25	20B25	253.32	32	84	114	51	20	20A25	32	15.3
26	20B26	263.41	32	84	127	51	21.01	20A26	32	16.8
27	20B27	273.49	32	84	127	51	22.99	20A27	32	18.41
28	20B28	283.57	32	84	127	51	25	20A28	32	19.51
30	20B30	303.75	32	84	127	51	26.5	20A30	32	22
38	20B38	384.48	32	84	127	64	41.49	20A38	32	35.3
45	20B45	455.15	32	84	127	64	53.99	20A45	32	46.94
57	20C57	576.35	40	102	152	82	84.88	20A57	40	72.66

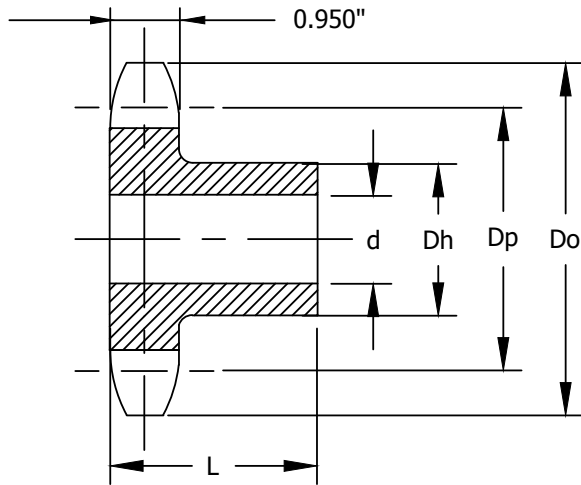
Also available with Finished Bore - Keyway with 2 Set Screws - Type BS in popular metric bore sizes

Suffix H indicates Hardened Teeth

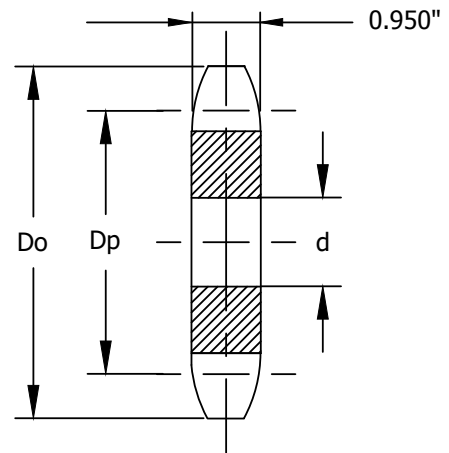
24B Sprocket - ISO

Produced in accordance with ISO/BS228/3 Standards

1 1/2" Pitch



Type B



Type A

Single - Type B/C (Hub Type)

Single - Type A (Plate Type)

No. of Teeth	Part Number	Pitch Diameter Dp	Bore		Hub		Approx Weight Lbs	Part Number	Stock Bore	Approx Weight Lbs
			Stock	Rec. Maximum	Diameter Dh	Length Thru L				
11	24B11H	135.23	25	60	90	50	8.31	24A11H	20	4.54
12	24B12H	147.21	25	67	102	50	10.52	24A12H	20	5.91
13	24B13H	159.20	25	76	114	50	13.03	24A13H	20	6.75
14	24B14H	171.22	32	86	127	60	14.73	24A14H	32	8.20
15	24B15H	183.25	32	92	140	60	16.51	24A15H	32	9.50
16	24B16H	195.29	32	92	140	60	20.02	24A16H	32	10.71
17	24B17H	207.35	32	92	140	60	21.52	24A17H	32	11.99
18	24B18H	219.41	32	92	140	60	23.13	24A18H	32	13.51
19	24B19H	231.48	32	92	140	60	24.71	24A19H	32	15.50
20	24B20H	243.55	32	92	140	60	27.03	24A20H	32	17.50
21	24B21	255.63	32	92	140	60	29.50	24A21	32	19.00
22	24B22	267.72	32	92	140	60	30.14	24A22	32	21.52
23	24B23	179.80	32	92	140	60	32.50	24A23	32	22.99
24	24B24	291.90	32	92	140	60	34.13	24A24	32	25.02
25	24B25	303.99	32	92	140	60	36.11	24A25	32	27.49
26	24B26	316.09	40	102	150	65	42.84	24A26	40	29.52
27	24B27	328.19	40	102	150	65	44.95	24A27	40	32.03
28	24B28	340.29	40	102	150	65	47.05	24A28	40	35.03
30	24B30	364.49	40	102	150	65	53.46	24A30	40	40.54
38	24B38	461.37	40	102	152	65	87.59	24A38	40	69.36
57	24C57	691.62	40	133	178	102	167.66	24A57	40	169.16

Also available with Finished Bore - Keyway with 2 Set Screws - Type BS in popular metric bore sizes

Suffix H indicates Hardened Teeth

TRITAN

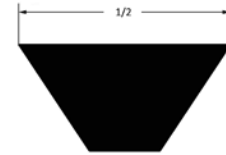
PRECISION BEARINGS AND POWER TRANSMISSION COMPONENTS



Sheaves and
Bushings

Cast Iron Sheaves – AK

Single Groove Finished Bore Sheaves for "4L" or "A" Belts

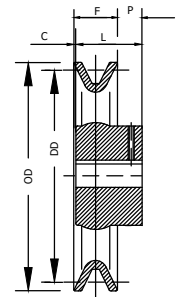
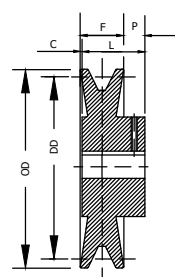
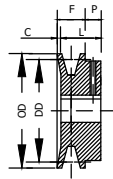


"3L" Belts may be used with these sheaves as indicated in table below.

Part Number	Diameters			Type	Dimensions				Wt. Lbs	Stock Sizes	
	Outside	Datum "A"	Pitch "3L"		F	L	P	C		Finished Bore	
▲AK17	1.75"	1.50"	1.16"	1	21/32"	15/16"	7/16"	5/32"	0.2	1/2, 5/8	
▲AK20	2.00	1.80	1.46	1	21/32	15/16	7/16	5/32	0.3	1/2, 5/8, 3/4	
▲AK21	2.10	1.90	1.56	1	21/32	15/16	7/16	5/32	0.4	1/2, 5/8, 3/4	
▲AK22	2.20	2.00	1.66	1	21/32	15/16	7/16	5/32	0.5	1/2, 5/8, 3/4	
▲AK23	2.30	2.10	1.76	1	21/32	15/16	7/16	5/32	0.5	1/2, 5/8, 3/4	
▲AK25	2.50	2.30	1.96	2	21/32	15/16	7/16	5/32	0.5	1/2, 5/8, 3/4	
▲AK26	2.60	2.40	2.06	2	21/32	15/16	7/16	5/32	0.5	1/2, 5/8, 3/4	
▲AK27	2.70	2.50	2.16	2	21/32	15/16	7/16	5/32	0.6	1/2, 5/8, 3/4	
▲AK28	2.80	2.60	2.26	2	21/32	15/16	7/16	5/32	0.7	1/2, 5/8, 3/4	
▲AK30	3.05	2.80	2.46	2	21/32	15/16	7/16	5/32	0.7	1/2, 5/8, 3/4, 7/8	
▲AK32	3.25	3.00	2.66	2	21/32	15/16	7/16	5/32	0.7	1/2, 5/8, 3/4, 7/8	
▲AK34	3.45	3.20	2.86	2	21/32	15/16	7/16	5/32	0.9	1/2, 5/8, 3/4, 7/8	
AK39	3.75	3.50	3.16	2	3/4	1 5/32	15/32	1/16	1.4	1/2, 5/8, 3/4, 7/8, 15/16, 1	
AK41	3.95	3.70	3.36	2	3/4	1 5/32	15/32	1/16	1.5	1/2, 5/8, 3/4, 7/8, 15/16, 1	
AK44	4.25	4.00	3.66	3	3/4	1 5/32	15/32	1/16	1.5	1/2, 5/8, 3/4, 7/8, 15/16, 1, 1 1/8	
AK46	4.45	4.20	3.86	3	3/4	1 5/32	15/32	1/16	1.5	1/2, 5/8, 3/4, 7/8, 15/16, 1, 1 1/8	
AK49	4.75	4.50	4.16	3	3/4	1 5/32	15/32	1/16	1.7	1/2, 5/8, 3/4, 7/8, 15/16, 1, 1 1/8	
AK51	4.95	4.70	4.36	3	3/4	1 5/32	15/32	1/16	1.7	1/2, 5/8, 3/4, 7/8, 1, 1 1/8	
AK54	5.25	5.00	4.66	3	3/4	1 5/32	15/32	1/16	1.8	1/2, 5/8, 3/4, 7/8, 15/16, 1, 1 1/8, 1 3/16	
AK56	5.45	5.20	4.86	3	3/4	1 5/32	15/32	1/16	1.9	1/2, 5/8, 3/4, 7/8, 15/16, 1, 1 1/8, 1 3/16	
AK59	5.75	5.50	5.16	3	3/4	1 5/32	15/32	1/16	2.0	1/2, 5/8, 3/4, 7/8, 15/16, 1, 1 1/8, 1 3/16	
AK61	5.95	5.70	5.36	3	3/4	1 5/32	15/32	1/16	2.1	1/2, 5/8, 3/4, 7/8, 15/16, 1, 1 1/8, 1 3/16	
AK64	6.25	6.00	5.66	3	3/4	1 5/32	15/32	1/16	2.2	1/2, 5/8, 3/4, 7/8, 15/16, 1, 1 1/8, 1 3/16	
AK66	6.45	6.20	5.86	3	3/4	1 5/32	15/32	1/16	2.3	5/8, 3/4, 1, 1 1/8	
AK69	6.75	6.50	6.16	3	3/4	1 5/32	23/32	0	3.5	3/4, 1, 1 1/8	
AK71	6.95	6.70	6.36	3	3/4	1 5/32	23/32	0	3.8	5/8, 3/4, 1, 1 1/8, 1 7/16	
▲AK74	7.25	7.00	6.66	3	3/4	1 5/32	23/32*	0*	3.4	1/2, 5/8, 3/4, 15/16, 1, 1 1/8, 1 3/16, 1 1/4, 1 7/16	
▲AK79	7.75	7.50	7.16	3	3/4	1 5/32	23/32	0	4.0	3/4, 1, 1 1/8, 1 7/16	
▲AK84	8.25	8.00	7.66	3	3/4	1 5/32	23/32*	0*	3.8	1/2, 5/8, 3/4, 15/16, 1, 1 3/16, 1 7/16	
▲AK89	8.75	8.50	8.16	3	3/4	1 5/32	23/32	0	4.3	3/4, 1, 1 1/8, 1 7/16	
▲AK94	9.25	9.00	8.66	3	3/4	1 5/32	23/32*	0*	4.5	1/2, 5/8, 3/4, 15/16, 1, 1 3/16, 1 1/4, 1 7/16	
▲AK99	9.75	9.50	9.16	3	3/4	1 5/32	23/32	0	5.3	3/4, 1, 1 7/16	
▲AK104	10.25	10.00	9.66	3	3/4	1 5/32	23/32*	0*	5.1	5/8, 3/4, 1, 1 3/16, 1 1/4, 1 3/8, 1 7/16	
▲AK109	10.75	10.50	10.16	3	3/4	1 5/32	23/32	0	5.8	3/4, 1, 1 3/8, 1 7/16	
▲AK114	11.25	11.00	10.66	3	3/4	1 5/32	23/32*	0*	5.6	3/4, 1, 1 3/16, 1 7/16	
▲AK124	12.25	12.00	11.66	3	3/4	1 5/32	23/32*	0*	6.5	5/8, 3/4, 1, 1 3/16, 1 1/4, 1 7/16	
AK134	13.25	13.00	12.66	3	3/4	1 5/32	23/32	0	7.5	3/4, 1, 1 3/16, 1 3/8, 1 7/16	
AK144	14.25	14.00	13.66	3	3/4	1 5/32	23/32	0	8.5	3/4, 1, 1 3/16, 1 7/16	
AK154	15.25	15.00	14.66	3	3/4	1 5/32	23/32	0	9.8	7/8, 1 1/8, 1 3/16, 1 3/8, 1 7/16	
AK184	18.25	18.00	17.66	3	3/4	1 5/32	23/32	0	12.1	3/4, 1, 1 3/16, 1 7/16	

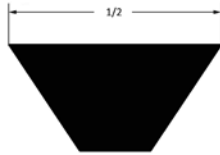
▲ NOTE: Do not use these "AK" sheaves with bores 1" and under with notched belt ratings.

* P=25/32" and C=1/16" for 1" bore and smaller



Standard Keyseats	
Bore Range	Keyseat
1/2"	None
5/8" to 7/8"	3/16" x 3/32"
15/16" to 1 1/4"	1/4" x 1/8"
1 7/16"	3/8" x 3/16"

Tritan "AK" Sheaves are accurately machined from gray cast iron, statically balanced, painted and individually packaged. They are furnished with standard keyseats and setscrews.

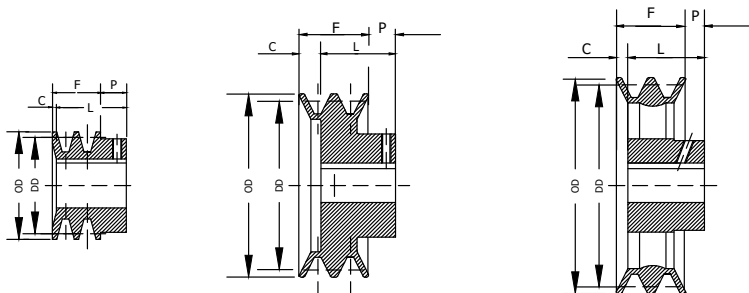


Cast Iron Sheaves – 2AK

Two Groove Finished Bore Sheaves for "4L" or "A" Belts

"3L" Belts may be used with these sheaves as indicated in table below.

Part Number	Diameters			Type	Dimensions				Wt. Lbs	Stock Sizes
	Outside	Datum "A"	Pitch "3L"		F	L	P	C		Finished Bore
2AK20	2.00	1.80	1.46	1	1 3/8	1 21/32	15/32	3/16	0.8	1/2, 5/8, 3/4
2AK21	2.15	1.90	1.56	1	1 3/8	1 21/32	15/32	3/16	0.9	1/2, 5/8, 3/4
2AK22	2.25	2.00	1.66	1	1 3/8	1 21/32	15/32	3/16	0.9	1/2, 5/8, 3/4, 7/8
2AK23	2.35	2.10	1.76	1	1 3/8	1 21/32	15/32	3/16	1.1	5/8, 3/4, 7/8, 1
2AK25	2.55	2.30	1.96	1	1 3/8	1 21/32	15/32	3/16	1.3	5/8, 3/4, 7/8, 1
2AK26	2.65	2.40	2.06	1	1 3/8	1 21/32	15/32	3/16	1.4	5/8, 3/4, 7/8, 1
2AK27	2.75	2.50	2.16	1	1 3/8	1 21/32	15/32	3/16	1.5	5/8, 3/4, 7/8, 1
2AK28	2.85	2.60	2.26	1	1 3/8	1 21/32	15/32	3/16	1.8	5/8, 3/4, 7/8, 1
2AK30	3.05	2.80	2.46	1	1 3/8	1 21/32	15/32	3/16	1.8	1/2, 5/8, 3/4, 7/8, 1, 1 1/8
2AK32	3.25	3.00	2.66	1	1 3/8	1 21/32	15/32	3/16	2.1	5/8, 3/4, 7/8, 1, 1 1/8
2AK34	3.45	3.20	2.86	1	1 3/8	1 21/32	15/32	3/16	2.3	5/8, 3/4, 7/8, 1, 1 1/8
2AK39	3.75	3.50	3.16	2	1 3/8	1 11/32	15/32	1/2	2.6	5/8, 3/4, 7/8, 1, 1 1/8
2AK41	3.95	3.70	3.36	2	1 3/8	1 11/32	15/32	1/2	2.9	5/8, 3/4, 7/8, 1, 1 1/8
2AK44	4.25	4.00	3.66	2	1 3/8	1 11/32	15/32	1/2	3.0	5/8, 3/4, 7/8, 1, 1 1/8
2AK46	4.45	4.20	3.86	2	1 3/8	1 11/32	15/32	1/2	3.1	7/8, 1, 1 1/8
2AK49	4.75	4.50	4.16	2	1 3/8	1 11/32	15/32	1/2	3.6	3/4, 7/8, 1, 1 1/8, 1 3/8
2AK51	4.95	4.70	4.36	2	1 3/8	1 11/32	15/32	1/2	3.8	3/4, 7/8, 1, 1 1/8, 1 3/8
2AK54	5.25	5.00	4.66	3	1 3/8	1 11/32	15/32	1/2	3.3	5/8, 3/4, 7/8, 1, 1 1/8, 1 3/8
2AK56	5.45	5.20	4.86	3	1 3/8	1 11/32	15/32	1/2	3.4	5/8, 3/4, 1, 1 1/8, 1 3/8
2AK59	5.75	5.50	5.16	3	1 3/8	1 11/32	15/32	1/2	3.5	1, 1 1/8, 1 3/8
2AK61	5.95	5.70	5.36	3	1 3/8	1 11/32	15/32	1/2	3.6	3/4, 7/8, 1, 1 1/8, 1 3/8
2AK64	6.25	6.00	5.66	3	1 3/8	1 19/32	11/32	1/8	4.8	3/4, 1, 1 1/8, 1 3/16, 1 3/8, 1 7/16
2AK74	7.25	7.00	6.66	3	1 3/8	1 19/32	11/32	1/8	5.6	3/4, 1, 1 1/8, 1 3/16, 1 3/8, 1 7/16
2AK84	8.25	8.00	7.66	3	1 3/8	1 19/32	11/32	1/8	6.4	3/4, 15/16, 1, 1 1/8, 1 3/16, 1 3/8, 1 7/16
2AK94	9.25	9.00	8.66	3	1 3/8	1 19/32	11/32	1/8	7.3	3/4, 1, 1 1/8, 1 3/16, 1 3/8, 1 7/16
2AK104	10.25	10.00	9.66	3	1 3/8	1 19/32	11/32	1/8	8.1	3/4, 15/16, 1, 1 7/16
2AK114	11.25	11.00	10.66	3	1 3/8	1 19/32	11/32	1/8	9.0	3/4, 1, 1 3/16, 1 3/8, 1 7/16
2AK124	12.25	12.00	11.66	3	1 3/8	1 19/32	11/32	1/8	9.8	3/4, 1, 1 3/16, 1 7/16
2AK134	13.25	13.00	12.66	3	1 3/8	1 19/32	11/32	1/8	12.3	1 3/16, 1 7/16
2AK144	14.25	14.00	13.66	3	1 3/8	1 19/32	11/32	1/8	13.9	1, 1 7/16
2AK154	15.25	15.00	14.66	3	1 3/8	1 19/32	11/32	1/8	14.3	1 3/16, 1 7/16
2AK184	18.25	18.00	17.66	3	1 3/8	1 19/32	11/32	1/8	17.4	1 3/16, 1 7/16

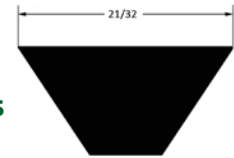


Standard Keyseats	
Bore Range	Keyseat
1/2"	None
5/8" to 7/8"	3/16" x 3/32"
15/16" to 1 1/4"	1/4" x 1/8"
1 7/16"	3/8" x 3/16"

Tritan "2AK" Sheaves are accurately machined from gray cast iron, statically balanced, painted and individually packaged. They are furnished with standard keyseats and setscrews.

Cast Iron Sheaves – BK

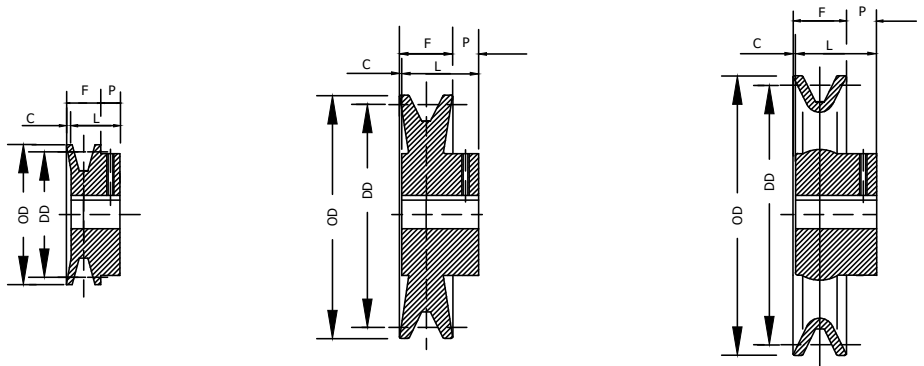
Single Groove Finished Bore Sheaves for "4L" or "A" Belts and "5L" or "B" Belts



Part Number	Diameters			Type	Dimensions				Wt. Lbs	Stock Sizes	
	Outside	Datum "A"	Datum "B"		F	L	P	C		Finished Bore	
▲BK24	2.40"	1.80"	2.20"	1	13/16"	1 1/16"	13/32"	5/32"	0.4	1/2, 5/8, 3/4	
▲BK25	2.50	1.90	2.30	1	13/16	1 1/16	13/32	5/32	0.5	1/2, 5/8, 3/4, 7/8	
▲BK26	2.60	2.00	2.40	1	13/16	1 1/16	13/32	5/32	0.6	1/2, 5/8, 3/4, 7/8	
▲BK27	2.70	2.10	2.50	2	13/16	1 1/16	13/32	5/32	0.6	1/2, 5/8, 3/4, 7/8	
▲BK28	2.95	2.20	2.60	2	13/16	1 1/16	13/32	5/32	0.8	1/2, 5/8, 3/4, 7/8	
▲BK30	3.15	2.40	2.80	2	13/16	1 1/16	13/32	5/32	0.8	1/2, 5/8, 3/4, 7/8	
▲BK32	3.35	2.60	3.00	2	13/16	1 1/16	13/32	5/32	0.8	1/2, 5/8, 3/4, 7/8	
BK34	3.55	2.80	3.20	2	7/8	1 5/32	13/32	1/8	1.3	1/2, 5/8, 3/4, 7/8, 1, 1 1/8	
BK36	3.75	3.00	3.40	2	7/8	1 5/32	13/32	1/8	1.5	1/2, 5/8, 3/4, 7/8, 1, 1 1/8	
BK40	3.95	3.20	3.60	2	7/8	1 5/32	13/32	1/8	1.5	1/2, 5/8, 3/4, 7/8, 1, 1 1/8	
BK45	4.25	3.50	3.90	2	7/8	1 5/32	13/32	1/8	1.8	1/2, 5/8, 3/4, 7/8, 1, 1 1/8	
BK47	4.45	3.70	4.10	2	7/8	1 5/32	13/32	1/8	1.9	1/2, 5/8, 3/4, 7/8, 1, 1 1/8	
BK50	4.75	4.00	4.40	3	7/8	1 5/32	13/32	1/8	2.0	1/2, 5/8, 3/4, 7/8, 15/16, 1, 1 1/8	
BK52	4.95	4.20	4.60	3	7/8	1 5/32	13/32	1/8	2.0	1/2, 5/8, 3/4, 7/8, 1, 1 1/8	
BK55	5.25	4.50	4.90	3	7/8	1 5/32	13/32	1/8	2.2	1/2, 5/8, 3/4, 7/8, 1, 1 1/8, 1 3/16	
BK57	5.45	4.70	5.10	3	7/8	1 5/32	13/32	1/8	2.3	5/8, 3/4, 7/8, 15/16, 1, 1 1/8,	
BK60	5.75	5.00	5.40	3	7/8	1 5/32	13/32	1/8	2.3	1/2, 5/8, 3/4, 7/8, 1, 1 1/8, 1 3/16	
BK62	5.95	5.20	5.60	3	7/8	1 5/32	13/32	1/8	2.4	1/2, 5/8, 3/4, 7/8, 15/16, 1, 1 1/8, 1 3/16	
BK65	6.25	5.50	5.90	3	7/8	1 5/32	13/32	1/8	2.7	5/8, 3/4, 1, 1 1/8	
BK67	6.45	5.70	6.10	3	7/8	1 5/32	13/32	1/8	3.7	5/8, 3/4, 1, 1 1/8	
BK70	6.75	6.00	6.40	3	7/8	1 5/32	21/32 *	1/16 *	3.3	5/8, 3/4, 15/16, 1, 1 1/8, 1 3/16, 1 7/16	
BK72	6.95	6.20	6.60	3	7/8	1 5/32	21/32	1/16	3.9	3/4, 1, 1 1/8, 1 3/8	
BK75	7.25	6.50	6.90	3	7/8	1 5/32	21/32	1/16	3.9	3/4, 1, 1 1/8, 1 3/8	
BK77	7.45	6.70	7.10	3	7/8	1 5/32	21/32	1/16	4.1	3/4, 1, 1 1/8, 1 3/8	
BK80	7.75	7.00	7.40	3	7/8	1 5/32	21/32	1/16	4.4	5/8, 3/4, 7/8, 1, 1 1/8, 1 3/16, 1 1/4, 1 3/8, 1 7/16	
BK85	8.25	7.50	7.90	3	7/8	1 5/32	21/32	1/16	5.0	3/4, 1, 1 1/8, 1 3/8, 1 7/16	
BK90	8.75	8.00	8.40	3	7/8	1 5/32	21/32	1/16	5.0	3/4, 7/8, 15/16, 1, 1 1/8, 1 3/16, 1 3/8, 1 7/16	
BK95	9.25	8.50	8.90	3	7/8	1 5/32	21/32	1/16	5.4	3/4, 1, 1 1/8, 1 3/8, 1 7/16	
BK100	9.75	9.00	9.40	3	7/8	1 5/32	21/32	1/16	5.6	3/4, 7/8, 15/16, 1, 1 1/8, 1 3/16, 1 1/4, 1 3/8, 1 7/16	
BK105	10.25	9.50	9.90	3	7/8	1 5/32	21/32	1/16	5.8	1, 1 3/8, 1 7/16	
BK110	10.75	10.00	10.40	3	7/8	1 5/32	21/32	1/16	6.4	3/4, 1, 1 1/8, 1 3/16, 1 3/8, 1 7/16	
BK115	11.25	10.50	10.90	3	7/8	1 5/32	21/32	1/16	6.9	1, 1 3/8, 1 7/16	
BK120	11.75	11.00	11.40	3	7/8	1 5/32	21/32	1/16	7.4	3/4, 1, 1 3/16, 1 3/8, 1 7/16	
BK130	12.75	12.00	12.40	3	7/8	1 5/32	21/32	1/16	8.4	3/4, 1, 1 1/8, 1 3/16, 1 1/4, 1 7/16	
BK140	13.75	13.00	13.40	3	7/8	1 5/32	21/32	1/16	9.4	3/4, 1, 1 3/16, 1 7/16	
BK160	15.75	15.00	15.40	3	7/8	1 5/32	21/32	1/16	11.4	1, 1 1/8, 1 3/16, 1 1/4, 1 7/16	
BK190	18.75	18.00	18.40	3	7/8	1 5/32	21/32	1/16	13.4	1, 1 3/16, 1 1/4, 1 7/16	

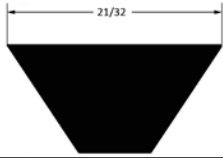
▲ NOTE: Do not use these "BK" sheaves with "B" notched belt ratings.

* P=13/32" and C=1/8" for 1" bore and smaller



Standard Keyseats	
Bore Range	Keyseat
1/2"	None
5/8" to 7/8"	3/16" x 3/32"
15/16" to 1 1/4"	1/4" x 1/8"
1 7/16"	3/8" x 3/16"

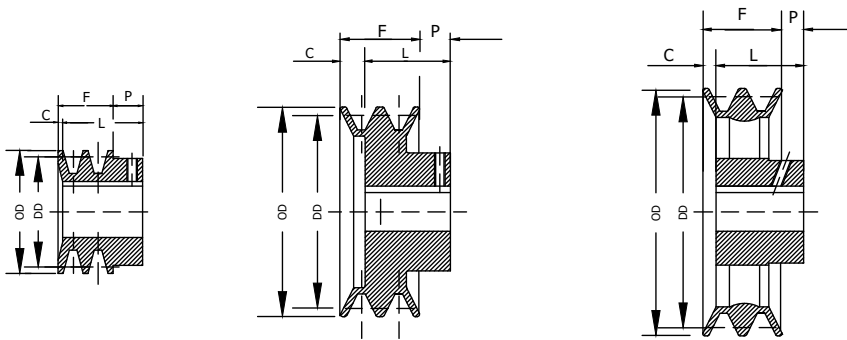
Tritan "BK" Sheaves are accurately machined from gray cast iron, statically balanced, painted and individually packaged. They are furnished with standard keyseats and setscrews.



Cast Iron Sheaves – 2BK

Single Groove Finished Bore Sheaves for "4L" or "A" Belts and "5L" or "B" Belts

Part Number	Diameters			Type	Dimensions				Wt. Lbs	Stock Sizes
	Outside	Datum "A"	Datum "B"		F	L	P	C		Finished Bore
2BK25	2.5"	1.9"	2.3"	1	1 3/4"	1 31/32"	15/32"	15/32"	1.3	1/2, 5/8, 3/4, 7/8
2BK27	2.70	2.10	2.50	1	1 3/4	1 31/32	15/32	15/32	1.6	1/2, 5/8, 3/4, 7/8, 1
2BK28	2.95	2.20	2.60	1	1 3/4	1 31/32	15/32	15/32	1.9	1/2, 5/8, 3/4, 7/8, 1, 1 1/8
2BK30	3.15	2.40	2.80	1	1 3/4	1 31/32	15/32	15/32	2.3	1/2, 5/8, 3/4, 7/8, 1, 1 1/8
2BK32	3.35	2.60	3.00	1	1 3/4	1 31/32	15/32	15/32	2.6	5/8, 7/8, 1, 1 1/8
2BK34	3.55	2.80	3.20	1	1 3/4	1 31/32	15/32	15/32	2.8	5/8, 3/4, 7/8, 1, 1 1/8
2BK36	3.75	3.00	3.40	1	1 3/4	1 31/32	15/32	15/32	3.3	3/4, 7/8, 1, 1 1/8, 1 3/8
2BK40	3.95	3.20	3.60	2	1 3/4	1 15/32	15/32	15/32	3.3	5/8, 3/4, 7/8, 1, 1 1/8
2BK47	4.25	3.70	4.10	2	1 3/4	1 15/32	15/32	15/32	3.7	7/8, 1, 1 1/8
2BK50	4.75	4.00	4.40	2	1 3/4	1 15/32	15/32	15/32	4.1	3/4, 1, 1 1/8, 1 3/8
2BK52	4.95	4.20	4.60	2	1 3/4	1 15/32	15/32	15/32	4.5	7/8, 1, 1 1/8, 1 3/8
2BK55	5.25	4.50	4.90	2	1 3/4	1 15/32	15/32	15/32	4.5	1 1/8, 1 3/8
2BK57	5.45	4.70	5.10	2	1 3/4	1 15/32	15/32	15/32	5.1	1, 1 1/8, 1 3/8
2BK60	5.75	5.00	5.40	3	1 3/4	1 15/32	15/32	15/32	4.9	3/4, 7/8, 1, 1 1/8, 1 3/8
2BK62	5.95	5.20	5.60	3	1 3/4	1 15/32	15/32	15/32	4.8	1, 1 1/8, 1 3/8
2BK67	6.45	5.70	6.10	3	1 3/4	1 15/32	15/32	15/32	5.0	1, 1 1/8, 1 3/8
2BK70	6.75	6.00	6.40	3	1 3/4	1 19/32	11/32	11/32	6.6	3/4, 1, 1 1/8, 1 3/16, 1 3/8, 1 7/16
2BK80	7.75	7.00	7.40	3	1 3/4	1 19/32	11/32	11/32	7.2	3/4, 1, 1 1/8, 1 3/16, 1 3/8, 1 7/16
2BK90	8.75	8.00	8.40	3	1 3/4	1 19/32	11/32	11/32	8.4	3/4, 1, 1 1/8, 1 3/16, 1 3/8, 1 7/16
2BK100	9.75	9.00	9.40	3	1 3/4	1 19/32	11/32	11/32	9.4	3/4, 1, 1 3/16, 1 3/8, 1 7/16
2BK110	10.75	10.00	10.40	3	1 3/4	1 19/32	11/32	11/32	10.4	1, 1 3/16, 1 7/16
2BK120	11.75	11.00	11.40	3	1 3/4	1 19/32	11/32	11/32	11.8	1, 1 3/16, 1 7/16
2BK140	13.75	13.00	13.40	3	1 3/4	1 19/32	11/32	11/32	16.3	1, 1 3/16, 1 7/16
2BK190	18.75	18.00	18.40	3	1 3/4	1 19/32	11/32	11/32	23.3	1 3/16, 1 7/16

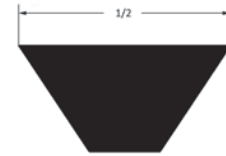


Standard Keyseats	
Bore Range	Keyseat
1/2"	None
5/8" to 7/8"	3/16" x 3/32"
15/16" to 1 1/4"	1/4" x 1/8"
1 3/8"	5/16" x 5/32"
1 7/16"	3/8" x 3/16"

Tritan "2BK" Sheaves are accurately machined from gray cast iron, statically balanced, painted and individually packaged. They are furnished with standard keyseats and setscrews.

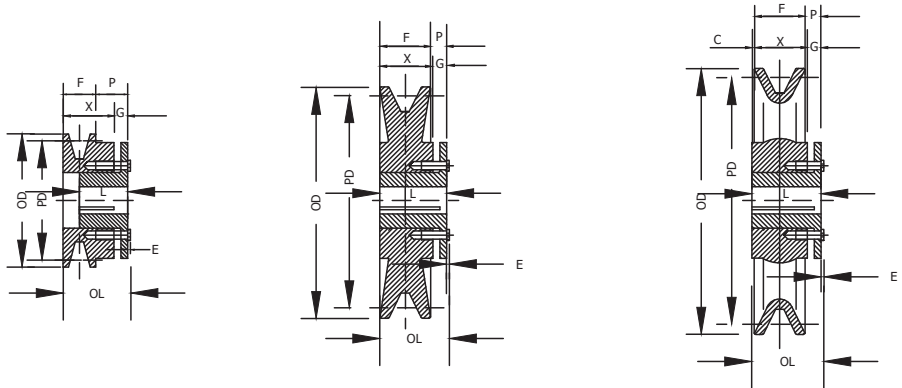
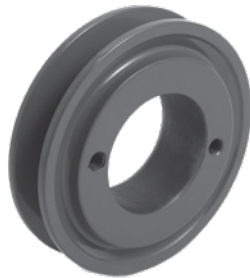
Cast Iron Sheaves – AK..H

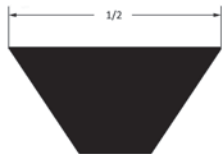
Single Groove Taper Bushed Sheaves for "4L" or "A" Belts



"3L" Belts may be used with these sheaves as indicated in table below.

Part Number	Diameters			Type	Dimensions								Wt. less Bush
	Outside	Datum "A"	Pitch "3L"		O.L.	F	L	P	C	X	G	E	
AK30H	3.05	2.80	2.46	1	1 13/16"	3/4"	1 1/4"	7/8"	-	1 3/16"	7/16"	3/16"	1.10
AK32H	3.3	3.00	2.66	1	1 13/16	3/4	1 1/4	7/8	-	1 3/16	7/16	3/16	1.20
AK34H	3.45	3.20	2.86	2	1 1/2	3/4	1 1/4	9/16	-	7/8	7/16	3/16	1.00
AK39H	3.75	3.50	3.16	2	1 1/2	3/4	1 1/4	9/16	-	7/8	7/16	3/16	1.40
AK41H	3.95	3.70	3.36	2	1 1/2	3/4	1 1/4	9/16	-	7/8	7/16	3/16	1.60
AK44H	4.25	4.00	3.66	2	1 1/2	3/4	1 1/4	9/16	-	7/8	7/16	3/16	1.90
AK46H	4.45	4.20	3.86	2	1 1/2	3/4	1 1/4	9/16	-	7/8	7/16	3/16	1.90
AK49H	4.75	4.50	4.16	2	1 1/2	3/4	1 1/4	9/16	-	7/8	7/16	3/16	2.10
AK51H	4.95	4.70	4.36	2	1 1/2	3/4	1 1/4	9/16	-	7/8	7/16	3/16	2.30
AK54H	5.25	5.00	4.66	2	1 1/2	3/4	1 1/4	9/16	-	7/8	7/16	3/16	2.00
AK56H	5.45	5.20	4.86	2	1 1/2	3/4	1 1/4	9/16	-	7/8	7/16	3/16	2.30
AK59H	5.75	5.50	5.16	2	1 1/2	3/4	1 1/4	9/16	-	7/8	7/16	3/16	2.40
AK61H	5.95	5.70	5.36	3	1 1/2	3/4	1 1/4	9/16	0	7/8	7/16	3/16	2.50
AK64H	6.25	6.00	5.66	3	1 1/2	3/4	1 1/4	9/16	0	7/8	7/16	3/16	2.70
AK66H	6.45	6.20	5.86	3	1 1/2	3/4	1 1/4	9/16	0	7/8	7/16	3/16	2.80
AK69H	6.75	6.50	6.16	3	1 1/2	3/4	1 1/4	9/16	0	7/8	7/16	3/16	3.20
AK71H	6.95	6.70	6.36	3	1 1/2	3/4	1 1/4	9/16	0	7/8	7/16	3/16	3.10
AK74H	7.25	7.00	6.66	3	1 1/2	3/4	1 1/4	9/16	0	7/8	7/16	3/16	3.30
AK79H	7.75	7.50	7.16	3	1 1/2	3/4	1 1/4	9/16	0	7/8	7/16	3/16	3.50
AK84H	8.25	8.00	7.66	3	1 1/2	3/4	1 1/4	9/16	0	7/8	7/16	3/16	3.60
AK89H	8.75	8.50	8.16	3	1 1/2	3/4	1 1/4	9/16	0	7/8	7/16	3/16	4.00
AK94H	9.25	9.00	8.66	3	1 1/2	3/4	1 1/4	9/16	0	7/8	7/16	3/16	4.40
AK99H	9.75	9.50	9.16	3	1 1/2	3/4	1 1/4	9/16	0	7/8	7/16	3/16	4.70
AK104H	10.25	10.00	9.66	3	1 1/2	3/4	1 1/4	9/16	0	7/8	7/16	3/16	4.50
AK109H	10.75	10.50	10.16	3	1 1/2	3/4	1 1/4	9/16	0	7/8	7/16	3/16	5.10
AK114H	11.25	11.00	10.66	3	1 1/2	3/4	1 1/4	9/16	0	7/8	7/16	3/16	5.50
AK124H	12.25	12.00	11.66	3	1 1/2	3/4	1 1/4	9/16	0	7/8	7/16	3/16	6.10
AK134H	13.25	13.00	12.66	3	1 1/2	3/4	1 1/4	9/16	0	7/8	7/16	3/16	7.40
AK144H	14.25	14.00	13.66	3	1 1/2	3/4	1 1/4	9/16	0	7/8	7/16	3/16	7.80
AK154H	15.25	15.00	14.66	3	1 1/2	3/4	1 1/4	9/16	0	7/8	7/16	3/16	8.80
AK184H	18.25	18.00	17.66	3	1 1/2	3/4	1 1/4	9/16	0	7/8	7/16	3/16	11.30



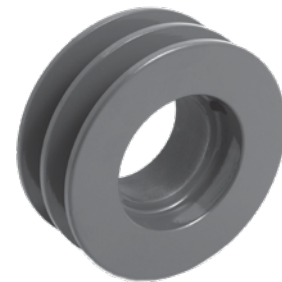
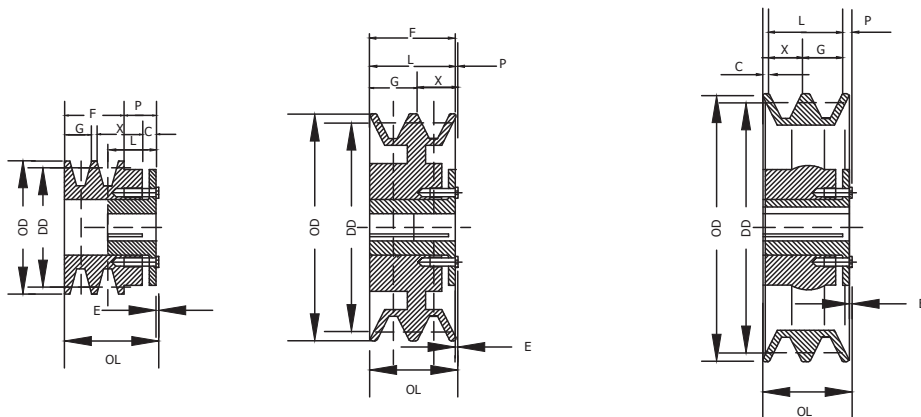


Cast Iron Sheaves – 2AK..H

Single Groove Taper Bushed Sheaves for "4L" or "A" Belts

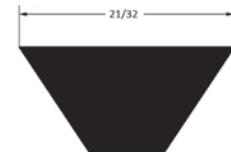
"3L" Belts may be used with these sheaves as indicated in table below.

Part Number	Diameters			Type	Dimensions								Wt. less Bush
	Outside	Datum "A"	Pitch "3L"		O.L.	F	L	P	C	X	G	E	
2AK30H	3.05"	2.80"	2.46"	1	2 7/16"	1 3/8	1 1/4"	7/8"	15/16"	7/8"	7/16"	3/16"	1.40
2AK32H	3.25	3.00	2.66	1	2 7/16	1 3/8	1 1/4	7/8	15/16	7/8	7/16	3/16	1.70
2AK34H	3.45	3.20	2.86	1	2	1 3/8	1 1/4	7/16	1/2	7/8	7/16	3/16	1.80
2AK39H	3.75	3.50	3.16	1	2	1 3/8	1 1/4	7/16	1/2	7/8	7/16	3/16	1.80
2AK41H	3.95	3.70	3.36	2	1 1/2	1 3/8	1 1/4	1/16	-	7/8	7/16	3/16	1.90
2AK44H	4.25	4.00	3.66	2	1 1/2	1 3/8	1 1/4	1/16	-	7/8	7/16	3/16	2.40
2AK46H	4.45	4.20	3.86	2	1 1/2	1 3/8	1 1/4	1/16	-	7/8	7/16	3/16	2.50
2AK49H	4.75	4.50	4.16	2	1 1/2	1 3/8	1 1/4	1/16	-	7/8	7/16	3/16	3.10
2AK51H	4.95	4.70	4.36	2	1 1/2	1 3/8	1 1/4	1/16	-	7/8	7/16	3/16	3.20
2AK54H	5.25	5.00	4.66	2	1 1/2	1 3/8	1 1/4	1/16	-	7/8	7/16	3/16	3.40
2AK56H	5.45	5.20	4.86	2	1 1/2	1 3/8	1 1/4	1/16	-	7/8	7/16	3/16	3.60
2AK59H	5.75	5.50	5.16	3	1 1/2	1 3/8	1 1/4	1/16	0	7/8	7/16	3/16	3.40
2AK61H	5.95	5.70	5.36	3	1 1/2	1 3/8	1 1/4	1/16	0	7/8	7/16	3/16	3.30
2AK64H	6.25	6.00	5.66	3	1 1/2	1 3/8	1 1/4	1/16	0	7/8	7/16	3/16	3.90
2AK74H	7.25	7.00	6.66	3	1 1/2	1 3/8	1 1/4	1/16	0	7/8	7/16	3/16	4.90
2AK84H	8.25	8.00	7.66	3	1 1/2	1 3/8	1 1/4	1/16	0	7/8	7/16	3/16	5.80
2AK94H	9.25	9.00	8.66	3	1 1/2	1 3/8	1 1/4	1/16	0	7/8	7/16	3/16	6.10
2AK104H	10.25	10.00	9.66	3	1 1/2	1 3/8	1 1/4	1/16	0	7/8	7/16	3/16	7.70
2AK114H	11.25	11.00	10.66	3	1 1/2	1 3/8	1 1/4	1/16	0	7/8	7/16	3/16	8.50
2AK124H	12.25	12.00	11.66	3	1 1/2	1 3/8	1 1/4	1/16	0	7/8	7/16	3/16	9.50
2AK134H	13.25	13.00	12.66	3	1 1/2	1 3/8	1 1/4	1/16	0	7/8	7/16	3/16	11.40
2AK144H	14.25	14.00	13.66	3	1 1/2	1 3/8	1 1/4	1/16	0	7/8	7/16	3/16	11.90
2AK154H	15.25	15.00	14.66	3	1 1/2	1 3/8	1 1/4	1/16	0	7/8	7/16	3/16	13.30
2AK184H	18.25	18.00	17.66	3	1 1/2	1 3/8	1 1/4	1/16	0	7/8	7/16	3/16	16.80



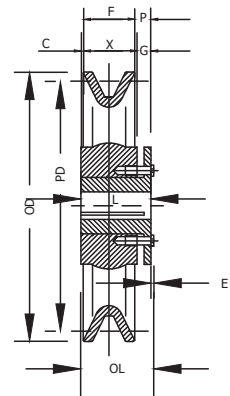
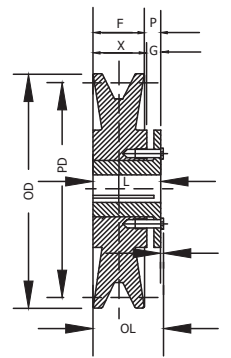
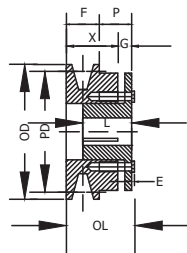
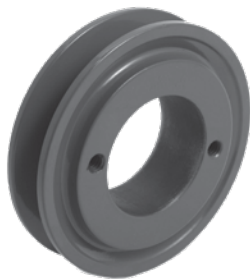
Cast Iron Sheaves – BK..H

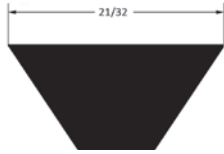
Single Groove Taper Bushed Sheaves for "4L" or "A" Belts



"3L" Belts may be used with these sheaves as indicated in table below.

Part Number	Diameters			Type	Dimensions								Wt. less Bush
	Outside	Datum "A"	Pitch "3L"		O.L.	F	L	P	C	X	G	E	
BK30H	3.15	2.40	2.80	1	1 15/16"	7/8"	1 1/4"	7/8"	-	1 5/16"	7/16"	3/16"	1.20
BK32H	3.35	2.60	3.00	1	1 15/16"	7/8"	1 1/4"	7/8"	-	1 5/16"	7/16"	3/16"	1.40
BK34H	3.55	2.80	3.20	1	1 15/16"	7/8"	1 1/4"	7/16"	-	1 5/16"	7/16"	3/16"	1.60
BK36H	3.75	3.00	3.40	2	1 1/2"	7/8"	1 1/4"	7/16"	-	7/8"	7/16"	3/16"	1.20
BK40H	3.95	3.20	3.60	2	1 1/2"	7/8"	1 1/4"	7/16"	-	7/8"	7/16"	3/16"	1.40
BK45H	4.25	3.50	3.90	2	1 1/2"	7/8"	1 1/4"	7/16"	-	7/8"	7/16"	3/16"	1.80
BK47H	4.45	3.70	4.10	2	1 1/2"	7/8"	1 1/4"	7/16"	-	7/8"	7/16"	3/16"	2.20
BK50H	4.75	4.00	4.40	2	1 1/2"	7/8"	1 1/4"	7/16"	-	7/8"	7/16"	3/16"	2.00
BK52H	4.95	4.20	4.60	2	1 1/2"	7/8"	1 1/4"	7/16"	-	7/8"	7/16"	3/16"	2.10
BK55H	5.25	4.50	4.90	2	1 1/2"	7/8"	1 1/4"	7/16"	-	7/8"	7/16"	3/16"	2.70
BK57H	5.45	4.70	5.10	2	1 1/2"	7/8"	1 1/4"	7/16"	-	7/8"	7/16"	3/16"	2.70
BK60H	5.75	5.00	5.40	2	1 1/2"	7/8"	1 1/4"	7/16"	-	7/8"	7/16"	3/16"	2.50
BK62H	5.95	5.20	5.60	2	1 1/2"	7/8"	1 1/4"	7/16"	-	7/8"	7/16"	3/16"	2.60
BK65H	6.25	5.50	5.90	2	1 1/2"	7/8"	1 1/4"	7/16"	-	7/8"	7/16"	3/16"	2.80
BK67H	6.45	5.70	6.10	2	1 1/2"	7/8"	1 1/4"	7/16"	-	7/8"	7/16"	3/16"	2.90
BK70H	6.75	6.00	6.40	3	1 9/16"	7/8"	1 1/4"	1/2"	1/16"	7/8"	7/16"	3/16"	2.80
BK72H	6.95	6.20	6.60	3	1 9/16"	7/8"	1 1/4"	1/2"	1/16"	7/8"	7/16"	3/16"	3.10
BK75H	7.25	6.50	6.90	3	1 9/16"	7/8"	1 1/4"	1/2"	1/16"	7/8"	7/16"	3/16"	3.30
BK77H	7.45	6.70	7.10	3	1 9/16"	7/8"	1 1/4"	1/2"	1/16"	7/8"	7/16"	3/16"	3.80
BK80H	7.75	7.00	7.40	3	1 9/16"	7/8"	1 1/4"	1/2"	1/16"	7/8"	7/16"	3/16"	3.40
BK85H	8.25	7.50	7.90	3	1 9/16"	7/8"	1 1/4"	1/2"	1/16"	7/8"	7/16"	3/16"	3.80
BK90H	8.75	8.00	8.40	3	1 9/16"	7/8"	1 1/4"	1/2"	1/16"	7/8"	7/16"	3/16"	4.30
BK95H	9.25	8.50	8.90	3	1 9/16"	7/8"	1 1/4"	1/2"	1/16"	7/8"	7/16"	3/16"	5.00
BK100H	9.75	9.00	9.40	3	1 9/16"	7/8"	1 1/4"	1/2"	1/16"	7/8"	7/16"	3/16"	5.20
BK105H	10.25	9.50	9.90	3	1 9/16"	7/8"	1 1/4"	1/2"	1/16"	7/8"	7/16"	3/16"	5.50
BK110H	10.75	10.00	10.40	3	1 9/16"	7/8"	1 1/4"	1/2"	1/16"	7/8"	7/16"	3/16"	6.00
BK115H	11.25	10.50	10.90	3	1 9/16"	7/8"	1 1/4"	1/2"	1/16"	7/8"	7/16"	3/16"	6.40
BK120H	11.75	11.00	11.40	3	1 9/16"	7/8"	1 1/4"	1/2"	1/16"	7/8"	7/16"	3/16"	6.90
BK130H	12.75	12.00	12.40	3	1 9/16"	7/8"	1 1/4"	1/2"	1/16"	7/8"	7/16"	3/16"	6.90
BK140H	13.75	13.00	13.40	3	1 9/16"	7/8"	1 1/4"	1/2"	1/16"	7/8"	7/16"	3/16"	8.50
BK160H	15.75	15.00	15.40	3	1 9/16"	7/8"	1 1/4"	1/2"	1/16"	7/8"	7/16"	3/16"	9.80
BK190H	18.75	18.00	18.40	3	1 9/16"	7/8"	1 1/4"	1/2"	1/16"	7/8"	7/16"	3/16"	12.80



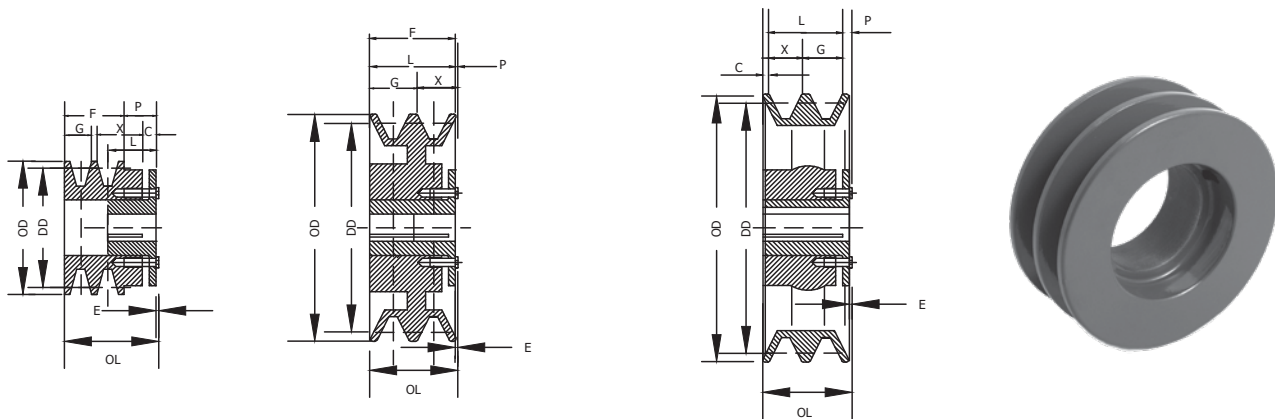


Cast Iron Sheaves – 2BK..H

Single Groove Taper Bushed Sheaves for "4L" or "A" Belts

"3L" Belts may be used with these sheaves as indicated in table below.

Part Number	Diameters			Type	Dimensions								Wt. less Bush
	Outside	Datum "A"	Pitch "3L"		O.L.	F	L	P	C	X	G	E	
2BK32H	3.35"	2.6"	3"	1	2 13/16"	1 3/4"	1 1/4"	7/8"	1 5/16"	7/8"	7/16"	3/16"	2.10
2BK34H	3.55	2.80	3.20	1	2 13/16	1 3/4	1 1/4	7/8	1 5/16	7/8	7/16	3/16	2.40
2BK36H	3.75	3.00	3.40	1	2 3/8	1 3/4	1 1/4	7/16	7/8	7/8	7/16	3/16	2.00
2BK40H	3.95	3.20	3.60	1	2 3/8	1 3/4	1 1/4	7/16	7/8	7/8	7/16	3/16	2.40
2BK45H	4.25	3.50	3.90	1	2 3/8	1 3/4	1 1/4	7/16	7/8	7/8	7/16	3/16	3.00
2BK47H	4.45	3.70	4.10	2	1 3/4	1 3/4	1 1/4	7/16	-	7/8	7/16	3/16	2.80
2BK50H	4.75	4.00	4.40	2	1 3/4	1 3/4	1 1/4	7/16	-	7/8	7/16	3/16	3.30
2BK52H	4.95	4.20	4.60	2	1 3/4	1 3/4	1 1/4	7/16	-	7/8	7/16	3/16	3.60
2BK55H	5.25	4.50	4.90	2	1 3/4	1 3/4	1 1/4	7/16	-	7/8	7/16	3/16	3.90
2BK57H	5.45	4.70	5.10	2	1 3/4	1 3/4	1 1/4	7/16	-	7/8	7/16	3/16	4.30
2BK60H	5.75	5.00	5.40	2	1 3/4	1 3/4	1 1/4	7/16	-	7/8	7/16	3/16	4.40
2BK62H	5.95	5.20	5.60	2	1 3/4	1 3/4	1 1/4	7/16	-	7/8	7/16	3/16	4.50
2BK65H	6.25	5.50	5.90	3	1 3/4	1 3/4	1 1/4	7/16	1/4	7/8	7/16	3/16	4.50
2BK67H	6.45	5.70	6.10	3	1 3/4	1 3/4	1 1/4	7/16	1/4	7/8	7/16	3/16	5.00
2BK70H	6.75	6.00	6.40	3	1 3/4	1 3/4	1 1/4	7/16	1/4	7/8	7/16	3/16	5.10
2BK80H	7.75	7.00	7.40	3	1 3/4	1 3/4	1 1/4	7/16	1/4	7/8	7/16	3/16	6.40
2BK90H	8.75	8.00	8.40	3	1 3/4	1 3/4	1 1/4	7/16	1/4	7/8	7/16	3/16	7.60
2BK100H	9.75	9.00	9.40	3	1 3/4	1 3/4	1 1/4	7/16	1/4	7/8	7/16	3/16	8.40
2BK110H	10.75	10.00	10.40	3	1 3/4	1 3/4	1 1/4	7/16	1/4	7/8	7/16	3/16	9.30
2BK120H	11.75	11.00	11.40	3	1 3/4	1 3/4	1 1/4	7/16	1/4	7/8	7/16	3/16	11.00
2BK130H	12.75	12.00	12.40	3	1 3/4	1 3/4	1 1/4	7/16	1/4	7/8	7/16	3/16	13.10
2BK140H	13.75	13.00	13.40	3	1 3/4	1 3/4	1 1/4	7/16	1/4	7/8	7/16	3/16	14.80
2BK160H	15.75	15.00	15.40	3	1 3/4	1 3/4	1 1/4	7/16	1/4	7/8	7/16	3/16	17.50
2BK190H	18.75	18.00	18.40	3	1 3/4	1 3/4	1 1/4	7/16	1/4	7/8	7/16	3/16	21.50



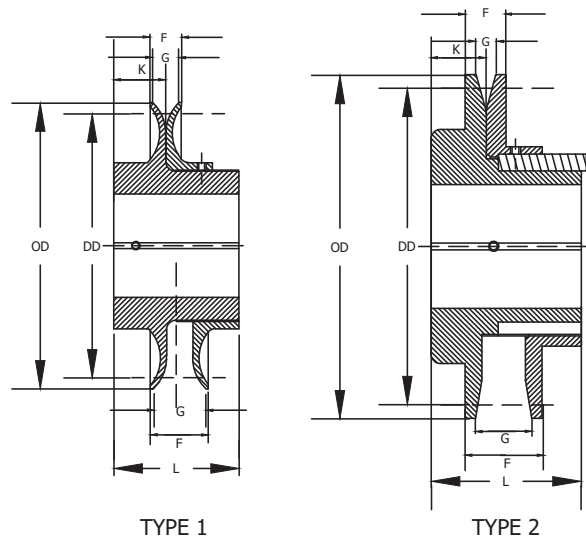
Cast Iron Sheaves – 1VP

Single Groove Variable Pitch Sheaves for "3L", "4L", "5L", "A", "B" or "5v" Belts



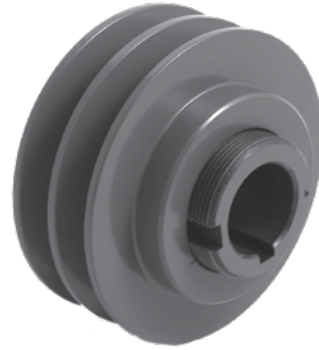
Part Number	Type	Diameter Range																Stock Bores
		"3L" Belts				"4L" or "A" Belts				"5L" or "B" Belts				"5V" Belts				
		Min Pitch	Turns Open	Max Pitch	Turns Open	Min Pitch	Turns Open	Max Pitch	Turns Open	Min Pitch	Turns Open	Max Pitch	Turns Open	Min Pitch	Turns Open	Max Pitch	Turns Open	
1VP25	1	1.4	4	2.2	0													1/2
1VP30	1	1.80	4.00	2.70	0.00													1/2, 5/8, 3/4
1VP34	1	1.70	4.00	2.50	0.00	1.90	5.00	2.90	0.00	2.40	5.00	3.20	1.00					1/2, 5/8, 3/4, 7/8
1VP40	1	2.30	4.00	3.10	0.00	2.40	5.00	3.40	0.00	2.70	6.00	3.70	1.00					1/2, 5/8, 3/4
1VP44	1	2.70	4.00	3.50	0.00	2.80	5.00	3.80	0.00	3.10	6.00	4.10	1.00					7/8, 1, 1 1/8
1VP44	2	2.70	4.00	3.50	0.00	2.80	5.00	3.80	0.00	3.10	6.00	4.10	1.00					
1VP50	2	3.30	4.00	4.10	0.00	3.40	5.00	4.40	0.00	3.70	6.00	4.70	1.00					7/8, 1, 1 1/8
1VP50	2	3.30	4.00	4.10	0.00	3.40	5.00	4.40	0.00	3.70	6.00	4.70	1.00					7/8, 1, 1 1/8
1VP56	1	3.90	4.00	4.70	0.00	4.00	5.00	5.00	0.00	4.30	6.00	5.30	1.00					1/2, 5/8, 3/4
1VP56	2	3.90	4.00	4.70	0.00	4.00	5.00	5.00	0.00	4.30	6.00	5.30	1.00					7/8, 1, 1 1/8
1VP60	2					4.20	5.00	5.20	0.00	4.30	6.00	5.50	0.00					3/4, 7/8, 1 1/8, 1 3/8, 1 5/8
1VP62	2	4.5	4.00	5.30	0.00	4.6	5.00	5.60	0.00	4.90	6.00	5.90	1.00	5.3	6	6.3	1	5/8, 3/4, 7/8, 1, 1 1/8, 1 1/4, 1 3/8
1VP65	2					4.70	5.00	5.70	0.00	4.80	6.00	6.00	0.00	5.2	6	6.4	0	3/4, 7/8, 1 1/8, 1 3/8, 1 5/8
1VP68	2	5.10	4.00	5.90	0.00	5.20	5.00	6.20	0.00	5.50	6.00	6.50	1.00	5.9	6	6.9	1	5/8, 3/4, 7/8, 1, 1 1/8, 1 1/4, 1 3/8
1VP71	2					5.30	5.00	6.30	0.00	5.40	6.00	6.60	0.00	5.8	6	7.0	0	3/4, 7/8, 1 1/8, 1 3/8, 1 5/8
1VP75	2					5.70	5.00	6.70	0.00	5.80	6.00	7.00	0.00	6.2	6	7.4	0	3/4, 7/8, 1 1/8, 1 3/8, 1 5/8

Part Number	Type	O.D.	F		G		L	K	Wt Lbs
			Max	Min	Max	Min			
1VP25	1	2.32	13/16	9/16	5/8	3/8	1 19/32	5/8	0.70
1VP30	1	2.87	13/16	9/16	5/8	3/8	1 21/32	19/32	1.10
1VP34	1	3.15	1	11/16	13/16	1/2	1 7/8	21/32	1.40
1VP40	1	3.75	1 1/16	11/16	7/8	1/2	1 7/8	21/32	1.90
1VP44	1	4.15	1 1/16	11/16	7/8	1/2	1 7/8	21/32	2.40
1VP44	2	4.15	1 1/8	3/4	7/8	1/2	1 7/8	11/16	2.90
1VP50	1	4.75	1 1/16	11/16	7/8	1/2	2	25/32	2.90
1VP50	2	4.75	1 1/8	3/4	7/8	1/2	1 7/8	11/16	3.60
1VP56	1	5.35	1 1/16	11/16	7/8	1/2	1 7/8	21/32	3.80
1VP56	2	5.35	1 1/8	3/4	7/8	1/2	1 7/8	11/16	4.40
1VP60	2	6.00	1 1/4	7/8	1 1/32	21/32	1 21/32	7/16	6.50
1VP62	2	5.95	1 1/8	3/4	7/8	1/2	1 29/32	21/32	6.10
1VP65	2	6.50	1 1/4	7/8	1 1/32	21/32	1 21/32	7/16	6.80
1VP68	2	6.55	1 1/8	3/4	7/8	1/2	1 29/32	21/32	7.30
1VP71	2	7.10	1 1/4	7/8	1 1/32	21/32	1 21/32	7/16	8.20
1VP75	2	7.50	1 1/4	7/8	1 1/32	21/32	1 21/32	7/16	9.20



Cast Iron Sheaves – 2VP

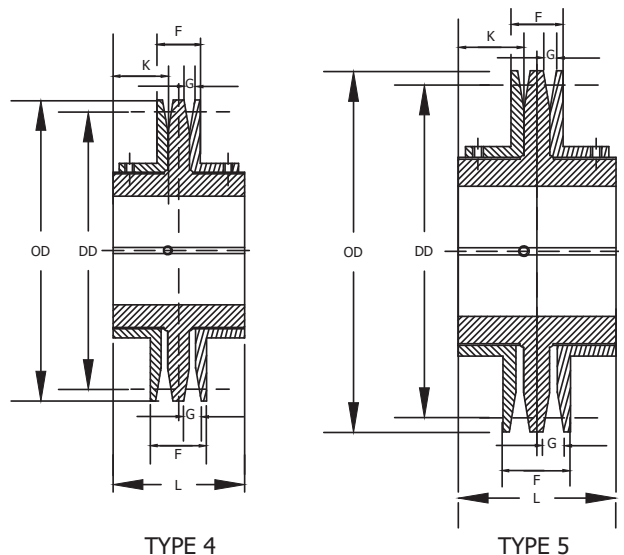
Two Groove Variable Pitch Sheaves for "3L", "4L", "5L", "A", "B" or "5v" Belts



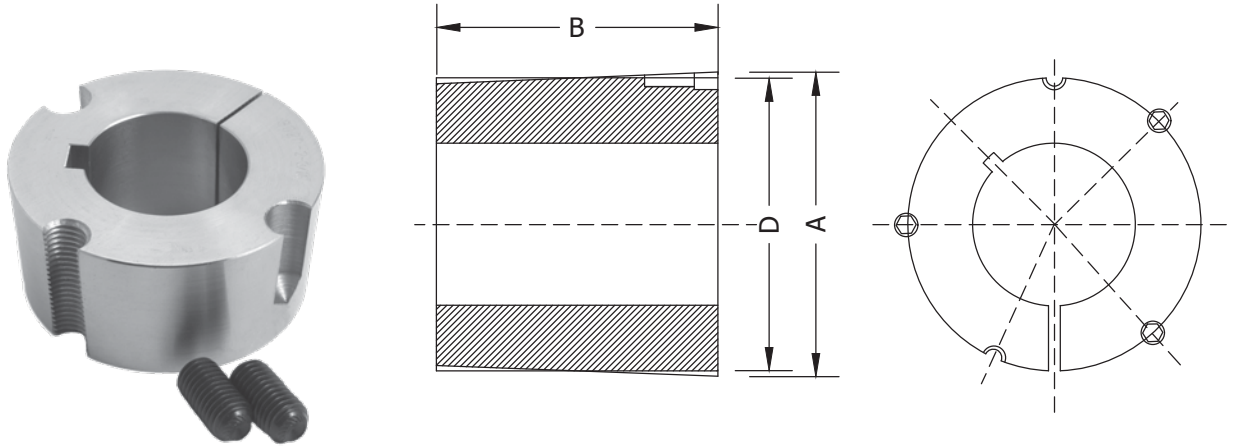
Part Number	Type	Diameter Range																Stock Bores
		"3L" Belts				"4L" or "A" Belts				"5L" or "B" Belts				"5V" Belts				
		Min Pitch	Turns Open	Max Pitch	Turns Open	Min Pitch	Turns Open	Max Pitch	Turns Open	Min Pitch	Turns Open	Max Pitch	Turns Open	Min Pitch	Turns Open	Max Pitch	Turns Open	
2VP36	4	1.90	4.00	2.70	0.00	2.00	5.00	3.00	0.00	2.50	5.00	3.30	1.00					1/2, 5/8, 3/4, 7/8
2VP42	4	2.50	4.00	3.30	0.00	2.60	5.00	3.60	0.00	2.90	6.00	3.90	1.00					5/8, 3/4, 7/8, 1, 1 1/8
2VP50	5	3.30	4.00	4.10	0.00	3.40	5.00	4.40	0.00	3.70	6.00	4.70	1.00					5/8, 3/4, 7/8, 1, 1 1/8
2VP56	5	3.90	4.00	4.70	0.00	4.00	5.00	5.00	0.00	4.30	6.00	5.30	1.00					5/8, 3/4, 7/8, 1, 1 1/8
2VP60	5					4.20	5.00	5.20	0.00	4.30	6.00	5.50	0.00					3/4, 7/8, 1, 1 1/8, 1 3/8, 1 5/8
2VP62	5	4.50	4.00	5.30	0.00	4.60	5.00	5.60	0.00	4.90	6.00	5.90	1.00	5.3	6	6.3	1	3/4, 7/8, 1, 1 1/8, 1 1/4, 1 3/8
2VP65	5					4.70	5.00	5.70	0.00	4.80	6.00	6.00	0.00	5.2	6	6.4	0	3/4, 7/8, 1 1/8, 1 3/8, 1 5/8
2VP68	5	5.10	4.00	5.90	0.00	5.20	5.00	6.20	0.00	5.50	6.00	6.50	1.00	5.9	6	6.9	1	7/8, 1, 1 1/8, 1 1/4, 1 3/8
2VP71	5					5.30	5.00	6.30	0.00	5.40	6.00	6.60	0.00	5.8	6	7.0	0	3/4, 7/8, 1 1/8, 1 3/8, 1 5/8
2VP75	5					5.70	5.00	6.70	0.00	5.80	6.00	7.00	0.00	6.2	6	7.4	0	3/4, 7/8, 1 1/8, 1 3/8, 1 5/8

Standard Keyseats	
Bore Range	Keyseat
1/2"	None
5/8" – 7/8"	3/16" x 3/32"
1" – 1 1/4"	1/4" x 1/8"
1 3/8"	5/16" x 5/32"

Part Number	Type	O.D.	F		G		L	K	Wt Lbs
			Max	Min	Max	Min			
2VP36	4	3.35	2	1 3/8	13/16	1/2	3	1 3/16	3.40
2VP42	4	3.95	2 1/8	1 3/8	7/8	1/2	3	1 3/16	4.40
2VP50	5	4.75	2 1/8	1 3/8	7/8	1/2	3	1 3/16	6.30
2VP56	5	5.35	2 1/8	1 3/8	7/8	1/2	3	1 3/16	7.80
2VP60	5	6.00	2 3/8	1 5/8	1 1/32	21/32	3 1/4	1 1/4	10.60
2VP62	5	5.95	2 1/8	1 3/8	7/8	1/2	3	1 3/16	10.00
2VP65	5	6.50	2 3/8	1 5/8	1 1/32	21/32	3 1/4	1 1/4	12.30
2VP68	5	6.55	2 1/8	1 3/8	7/8	1/2	3	1 3/16	11.70
2VP71	5	7.10	2 3/8	1 5/8	1 1/32	21/32	3 1/4	1 1/4	14.60
2VP75	5	7.50	2 3/8	1 5/8	1 1/32	21/32	3 1/4	1 1/4	16.50



Tapered Style Bushings



Bushing No	A	B	D Bolt Circle	Installaion Screw		Stock Bore Range			Wrench Torque lbs	Torque Cap LB in	Weight lbs
				Size	Quantity	Min	Max				
							Std Kw	Shallow Kw			
1008	1 25/64	7/8	1 21/64	1/4 x 1/2	2	1/2	7/8	1	55	1200	0.27
1108	1.511	7/8	1 29/64	1/4 x 1/2	2	1/2	1	1/8	55	1300	0.33
1210	1 7/8	1	1 3/4	3/8 x 5/8	2	1/2	1 1/4	1 1/4	175	3600	0.61
1215	1 7/8	1 1/2	1 3/4	3/8 x 5/8	2	1/2	1 1/4	1 1/4	175	3550	0.80
1610	2 1/4	1	2 1/8	3/8 x 5/8	2	1/2	1 1/2	1 5/8	175	4300	0.90
1615	2 1/4	1 1/2	2 1/8	3/8 x 5/8	2	1/2	1 1/2	1 5/8	175	4300	1.20
2012	2 3/4	1 1/4	2 5/8	7/16 x 7/8	2	1/2	1 7/8	2	280	7150	1.70
2517	3 3/8	1 3/4	3 1/4	1/2 x 1	2	1/2	2 1/4	2 1/2	430	11600	3.50
2525	3 3/8	2 1/2	3 1/4	1/2 x 1	2	3/4	2 1/4	2 1/2	430	11300	4.90
3020	4 1/4	2	4	5/8 x 1 1/4	2	15/16	2 3/4	3	800	24000	6.50
3030	4 1/4	3	4	5/8 x 1 1/4	2	15/16	2 3/4	3	800	24000	9.20
3535	5	3 1/2	4.83	1/2 x 1 1/2	3	1 3/16	3 1/4	3 1/2	1000	44800	14.0
4040	5 3/4	4	5.54	5/8 x 1 3/4	3	1 7/16	3 5/8	4	1700	77300	22.0

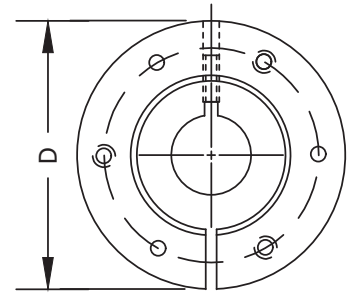
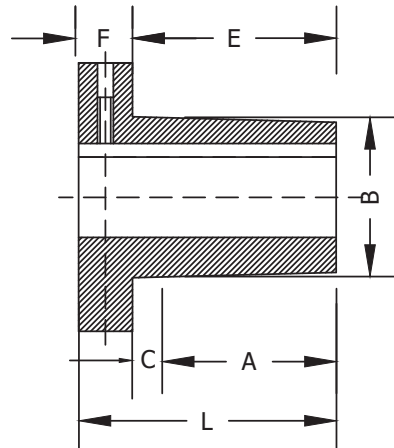
Bore Range	Key Seat	1008	1108	1210	1215	1310	1610	1615	2012	2517	2525	3020	3030
1/2	1/8 x 1/16	x	x	x	x	x	x	x	x	x	-	-	-
9/16	1/8 x 1/16	x	x	x	x	x	x	x	x	x	-	-	-
5/8	3/16 x 3/32	x	x	x	x	x	x	x	x	x	-	-	-
11/16	3/16 x 3/32	x	x	x	x	x	x	x	x	x	-	-	-
3/4	3/16 x 3/32	x	x	x	x	x	x	x	x	x	x	-	-
13/16	3/16 x 3/32	x	x	x	x	x	x	x	x	x	x	-	-
7/8	3/16 x 3/32	x	x	x	x	x	x	x	x	x	x	-	-
15/16	1/4 x 1/8	x	x	x	x	x	x	x	x	x	x	x	x
1	1/4 x 1/8	x	x	x	x	x	x	x	x	x	x	x	x
1 1/16	1/4 x 1/8	-	x	x	x	x	x	x	x	x	x	x	x
1 1/8	1/4 x 1/8	-	x	x	x	x	x	x	x	x	x	x	x
1 3/16	1/4 x 1/8	-	-	x	x	x	x	x	x	x	x	x	x
1 1/4	1/4 x 1/8	-	-	x	x	x	x	x	x	x	x	x	x
1 5/16	5/16 x 5/32	-	-	-	-	x	x	x	x	x	x	x	x
1 3/8	5/16 x 5/32	-	-	-	-	x	x	x	x	x	x	x	x
1 7/16	3/8 x 3/16	-	-	-	-	x	x	x	x	x	x	x	x
1 1/2	3/8 x 3/16	-	-	-	-	-	x	x	x	x	x	x	x
1 9/16	3/8 x 3/16	-	-	-	-	-	x	x	x	x	x	x	x
1 5/8	3/8 x 3/16	-	-	-	-	-	x	x	x	x	x	x	x
1 11/16	3/8 x 3/16	-	-	-	-	-	-	-	x	x	x	x	x
1 3/4	3/8 x 3/16	-	-	-	-	-	-	-	x	x	x	x	x
1 13/16	1/2 x 1/4	-	-	-	-	-	-	-	x	x	x	x	x
1 7/8	1/2 x 1/4	-	-	-	-	-	-	-	x	x	x	x	x
1 15/16	1/2 x 1/4	-	-	-	-	-	-	-	x	x	x	x	x
2	1/2 x 1/4	-	-	-	-	-	-	-	-	x	x	x	x
2 1/16	1/2 x 1/4	-	-	-	-	-	-	-	-	x	x	x	x
2 1/8	1/2 x 1/4	-	-	-	-	-	-	-	-	x	x	x	x
2 3/16	1/2 x 1/4	-	-	-	-	-	-	-	-	x	x	x	x
2 1/4	1/2 x 1/4	-	-	-	-	-	-	-	-	x	x	x	x
2 5/16	5/8 x 5/16	-	-	-	-	-	-	-	-	x	x	x	x
2 3/8	5/8 x 5/16	-	-	-	-	-	-	-	-	x	x	x	x
2 7/16	5/8 x 5/16	-	-	-	-	-	-	-	-	x	x	x	x
2 1/2	5/8 x 5/16	-	-	-	-	-	-	-	-	x	x	x	x
2 9/16	5/8 x 5/16	-	-	-	-	-	-	-	-	-	-	x	x
2 5/8	5/8 x 5/16	-	-	-	-	-	-	-	-	-	-	x	x
2 11/16	5/8 x 5/16	-	-	-	-	-	-	-	-	-	-	x	x
2 3/4	5/8 x 5/16	-	-	-	-	-	-	-	-	-	-	x	x
2 13/16	3/4 x 3/8	-	-	-	-	-	-	-	-	-	-	x	x
2 7/8	3/4 x 3/8	-	-	-	-	-	-	-	-	-	-	x	x
2 15/16	3/4 x 3/8	-	-	-	-	-	-	-	-	-	-	x	x
3	3/4 x 3/8	-	-	-	-	-	-	-	-	-	-	x	x
3 1/16	3/4 x 3/8	-	-	-	-	-	-	-	-	-	-	-	-
3 1/8	3/4 x 3/8	-	-	-	-	-	-	-	-	-	-	-	-
3 3/16	3/4 x 3/8	-	-	-	-	-	-	-	-	-	-	-	-
3 1/4	3/4 x 3/8	-	-	-	-	-	-	-	-	-	-	-	-
3 5/16	7/8 x 7/16	-	-	-	-	-	-	-	-	-	-	-	-
3 3/8	7/8 x 7/16	-	-	-	-	-	-	-	-	-	-	-	-
3 7/16	7/8 x 7/16	-	-	-	-	-	-	-	-	-	-	-	-
3 1/2	7/8 x 7/16	-	-	-	-	-	-	-	-	-	-	-	-
3 9/16	7/8 x 7/16	-	-	-	-	-	-	-	-	-	-	-	-
3 5/8	7/8 x 7/16	-	-	-	-	-	-	-	-	-	-	-	-

Chart continues on next page

Bore Range	Key Seat	1008	1108	1210	1215	1310	1610	1615	2012	2517	2525	3020	3030
4	1 x 1/2	-	-	-	-	-	-	-	-	-	-	-	-
4 1/8	1 x 1/2	-	-	-	-	-	-	-	-	-	-	-	-
4 3/16	1 x 1/2	-	-	-	-	-	-	-	-	-	-	-	-
4 1/4	1 x 1/2	-	-	-	-	-	-	-	-	-	-	-	-
4 3/8	1 x 1/2	-	-	-	-	-	-	-	-	-	-	-	-
4 7/16	1 x 1/2	-	-	-	-	-	-	-	-	-	-	-	-
4 1/2	1 x 1/2	-	-	-	-	-	-	-	-	-	-	-	-
4 7/8	1 1/4 x 5/8	-	-	-	-	-	-	-	-	-	-	-	-
4 15/16	1 1/4 x 5/8	-	-	-	-	-	-	-	-	-	-	-	-
5	1 1/4 x 5/8	-	-	-	-	-	-	-	-	-	-	-	-
3 11/16	7/8 x 7/16	-	-	-	-	-	-	-	-	-	-	-	-
3 3/4	7/8 x 7/16	-	-	-	-	-	-	-	-	-	-	-	-
3 13/16	1 x 1/2	-	-	-	-	-	-	-	-	-	-	-	-
3 7/8	1 x 1/2	-	-	-	-	-	-	-	-	-	-	-	-
3 15/16	1 x 1/2	-	-	-	-	-	-	-	-	-	-	-	-

Stock Bore	Key Seat	1008	1108	1210	1215	1310	1610	1615	2012	2517	2525	3020	3030
12mm	4 x 4	-	X	-	-	-	X	X	-	-	-	-	-
14mm	5 x 5	X	X	X	-	X	X	X	X	-	-	-	-
15mm	5 x 5	X	X	X	-	X	X	X	X	X	-	-	-
16mm	6 x 6	X	X	X	X	X	X	X	X	X	-	-	-
18mm	6 x 6	X	X	X	X	X	X	X	X	X	-	-	-
19mm	6 x 6	X	X	X	X	X	X	X	X	X	X	-	-
20mm	6 x 6	X	X	X	X	X	X	X	X	X	X	-	-
22mm	6 x 6	X	X	X	X	X	X	X	X	X	X	-	X
24mm	8 x 7	X	X	X	X	X	X	X	X	X	X	X	X
25mm	8 x 7	-	X	X	X	X	X	X	X	X	X	X	X
28mm	8 x 7	-	-	X	X	X	X	X	X	X	X	X	X
30mm	8 x 7	-	-	X	X	X	X	X	X	X	X	X	X
32mm	10 x 8	-	-	X	X	X	X	X	X	X	X	X	X
35mm	10 x 8	-	-	-	-	X	X	X	X	X	X	X	X
38mm	10 x 8	-	-	-	-	-	X	X	X	X	X	X	X
40mm	12 x 8	-	-	-	-	-	X	X	X	X	X	X	X
42mm	12 x 8	-	-	-	-	-	X	X	X	X	X	X	X
45mm	14 x 9	-	-	-	-	-	-	-	X	X	X	X	X
48mm	14 x 9	-	-	-	-	-	-	-	X	X	X	X	X
50mm	14 x 9	-	-	-	-	-	-	-	-	X	X	X	X
55mm	16 x 10	-	-	-	-	-	-	-	-	X	X	X	X
60mm	18 x 11	-	-	-	-	-	-	-	-	X	X	X	X
65mm	18 x 11	-	-	-	-	-	-	-	-	X	-	X	X
70mm	20 x 12	-	-	-	-	-	-	-	-	-	-	X	X
75mm	20 x 12	-	-	-	-	-	-	-	-	-	-	X	X
80mm	22 x 14	-	-	-	-	-	-	-	-	-	-	-	-
85mm	22 x 14	-	-	-	-	-	-	-	-	-	-	-	-
90mm	25 x 14	-	-	-	-	-	-	-	-	-	-	-	-
95mm	25 x 14	-	-	-	-	-	-	-	-	-	-	-	-
100mm	28 x 16	-	-	-	-	-	-	-	-	-	-	-	-
110mm	28 x 16	-	-	-	-	-	-	-	-	-	-	-	-
115mm	32 x 18	-	-	-	-	-	-	-	-	-	-	-	-
120mm	32 x 18	-	-	-	-	-	-	-	-	-	-	-	-
125mm	32 x 18	-	-	-	-	-	-	-	-	-	-	-	-

QD Style Bushings



Bushing No	Dimensions								Cap Screws		Average Weight Lbs	Bore Range
	D	L	A	B	C	E	F	Bolt Circle	Qty	Size		
H												
JA	2"	1"	1/2"	1.375"	3/16"	11/16"	5/16"	1 21/32"	3	10-24x1	0.8	1/2"-1 1/4"
SH	2 11/16"	1 5/16"	21/32"	1.871"	7/32"	7/8"	7/16"	2 1/4"	3	1/4-20x1 3/8	1.0	1/2"-1 5/8"
SDS	3 1/8"	1 5/16"	21/32"	2.1875"	7/32"	7/8"	7/16"	2 11/16"	3	1/4-20x1 3/8	1.2	1/2"-2"
SD	3 1/8"	1 13/16"	1 5/32"	2.1875"	7/32"	1 3/8"	7/16"	2 11/16"	3	1/4-20x1 7/8	1.5	1/2"-2"
SK	3 7/8"	1 15/16"	1 5/32"	2.8125"	7/32"	1 3/8"	9/16"	3 5/16"	3	5/16-18x2	2.0	1/2"-2 5/8"
SF	4 5/8"	2 1/16"	1 7/32"	3.125"	7/32"	1 7/16"	5/8"	3 7/8"	3	3/8-16x2	3.5	1/2"-2 15/16"
E	6"	2 3/4"	1 19/32"	3.834"	9/32"	1 7/8"	7/8"	5"	3	1/2-13x2 3/4	9.0	7/8"-3 1/2"
F	6 5/8"	3 3/4"	2 13/32"	4.4375"	11/32"	2 3/4"	1"	5 5/8"	3	9/16-12x3 5/8	14	1"-4"
J	7 1/4"	4 5/8"	3 3/16"	5.1484"	5/16"	3 1/2"	1 1/8"	6 1/4"	3	5/8-11x4 1/2	22	1 1/2"-4 1/2"

Proper Wrench Torque

Bushing Size	Screw Size	Torque Wrench Ft/Lbs	Open End or Socket Wrench		Torque Capacity In/Lbs	Socket/Allen Key Size (Across Flat)	Rec. Tightening Torque	Set Screw Axial Load (± 30%)
			Length Inches	Pull Lbs			LBF/Inches	LBF
H	1/4-20	6	4	18	1200	1/8	32	340
JA	10-24	5	4	15	1000	3/32	32	340
SH	1/4-20	9	4	27	3500	1/8	32	340
SDS	1/4-20	9	4	27	5000	1/8	32	340
SD	1/4-20	9	4	27	5000	1/8	32	340
SK	5/16-18	15	6	30	7000	5/32	110	785
SF	3/8-16	30	6	60	11000	3/16	200	1010
E	1/2-13	60	12	60	20000	1/4	400	2025
F	9/16	75	12	75	30000			
J	5/8-11	135	15	108	45000	5/16	860	2720

Bore Range	Key Seat	JA	SH	SDS	SD	SK	SF	E	F	J
1/2	1/8 x 1/16	x	x	x	x	x	x	-	-	-
9/16	1/8 x 1/16	x	x	x	x	x	x	-	-	-
5/8	3/16 x 3/32	x	x	x	x	x	x	-	-	-
11/16	3/16 x 3/32	x	x	x	x	x	x	-	-	-
3/4	3/16 x 3/32	x	x	x	x	x	x	-	-	-
13/16	3/16 x 3/32	x	x	x	x	x	x	-	-	-
7/8	3/16 x 3/32	x	x	x	x	x	x	-	-	-
15/16	1/4 x 1/8	x	x	x	x	x	x	x	-	-
1	1/4 x 1/8	x	x	x	x	x	x	x	x	-
1 1/16	1/4 x 1/8	S	x	x	x	x	x	x	x	-
1 1/8	1/4 x 1/8	S	x	x	x	x	x	x	x	-
1 3/16	1/4 x 1/8	S	x	x	x	x	x	x	x	-
1 1/4	1/4 x 1/8	S	x	x	x	x	x	x	x	-
1 5/16	5/16 x 5/32	-	x	x	x	x	x	x	x	-
1 5/16*	3/8 x 3/16	-	x	x	x	x	x	x	x	-
1 3/8	5/16 x 5/32	-	x	x	x	x	x	x	x	-
1 3/8*	3/8 x 3/16	-	x	x	x	x	x	x	x	-
1 7/16	3/8 x 3/16	-	S	x	x	x	x	x	x	-
1 1/2	3/8 x 3/16	-	S	x	x	x	x	x	x	x
1 9/16	3/8 x 3/16	-	S	x	x	x	x	x	x	x
1 5/8	3/8 x 3/16	-	S	x	x	x	x	x	x	x
1 11/16	3/8 x 3/16	-	-	S	S	x	x	x	x	x
1 3/4	3/8 x 3/16	-	-	S	S	x	x	x	x	x
1 13/16	1/2 x 1/4	-	-	S	S	x	x	x	x	x
1 7/8	1/2 x 1/4	-	-	S	S	x	x	x	x	x
1 15/16	1/2 x 1/4	-	-	S	S	x	x	x	x	x
2	1/2 x 1/4	-	-	N	N	x	x	x	x	x
2 1/16	1/2 x 1/4	-	-	-	-	x	x	x	x	x
2 1/8	1/2 x 1/4	-	-	-	-	x	x	x	x	x
2 3/16	1/2 x 1/4	-	-	-	-	S	x	x	x	x
2 1/4	1/2 x 1/4	-	-	-	-	S	x	x	x	x
2 5/16	5/8 x 5/16	-	-	-	-	S	S	x	x	x
2 3/8	5/8 x 5/16	-	-	-	-	S	S	x	x	x
2 7/16	5/8 x 5/16	-	-	-	-	S	S	x	x	x
2 1/2	5/8 x 5/16	-	-	-	-	S	S	x	x	x
2 9/16	5/8 x 5/16	-	-	-	-	N	S	x	x	x
2 5/8	5/8 x 5/16	-	-	-	-	N	S	x	x	x
2 11/16	5/8 x 5/16	-	-	-	-	-	S	x	x	x
2 3/4	5/8 x 5/16	-	-	-	-	-	S	x	x	x
2 3/16	3/4 x 3/8	-	-	-	-	-	S	x	x	x
2 7/8	3/4 x 3/8	-	-	-	-	-	S	x	x	x
2 15/16	3/4 x 3/8	-	-	-	-	-	S	S	S	x
3	3/4 x 3/8	-	-	-	-	-	-	S	S	x
3 1/16	3/4 x 3/8	-	-	-	-	-	-	S	S	x
3 1/8	3/4 x 3/8	-	-	-	-	-	-	S	S	x
3 3/16	3/4 x 3/8	-	-	-	-	-	-	S	S	x
3 1/4	3/4 x 3/8	-	-	-	-	-	-	S	S	x
3 5/16	7/8 x 7/16	-	-	-	-	-	-	S	S	x
3 3/8	7/8 x 7/16	-	-	-	-	-	-	S	S	x
3 7/16	7/8 x 7/16	-	-	-	-	-	-	S	S	x
3 1/2	7/8 x 7/16	-	-	-	-	-	-	S	S	x

Chart continues on next page

Bore Range	Key Seat	JA	SH	SDS	SD	SK	SF	E	F	J
3 9/16	7/8 x 7/16	-	-	-	-	-	-	-	-	X
3 5/8	7/8 x 7/16	-	-	-	-	-	-	-	-	X
3 11/16	7/8 x 7/16	-	-	-	-	-	-	-	-	X
3 3/4	7/8 x 7/16	-	-	-	-	-	-	-	-	X
3 13/16	1 x 1/2	-	-	-	-	-	-	-	-	X
3 7/8	1 x 1/2	-	-	-	-	-	-	-	-	S
3 13/16	1 x 1/2	-	-	-	-	-	-	-	-	S
3 7/8	1 x 1/2	-	-	-	-	-	-	-	-	S
3 15/16	1 x 1/2	-	-	-	-	-	-	-	-	S
4	1 x 1/2	-	-	-	-	-	-	-	-	S
4 1/16	1 x 1/2	-	-	-	-	-	-	-	-	S
4 1/8	1 x 1/2	-	-	-	-	-	-	-	-	S
4 3/16	1 x 1/2	-	-	-	-	-	-	-	-	S
4 1/4	1 x 1/2	-	-	-	-	-	-	-	-	S
4 5/16	1 x 1/2	-	-	-	-	-	-	-	-	S
4 3/8	1 x 1/2	-	-	-	-	-	-	-	-	S

Stock Bore	Key Seat	JA	SH	SDS	SD	SK	SF	E	F	J
14mm	5 x 5	X	X	X	X	X	-	-	-	-
15mm	5 x 5	X	X	X	X	X	-	-	-	-
16mm	5 x 5	X	X	X	X	X	-	-	-	-
18mm	6 x 6	X	X	X	X	X	-	-	-	-
19mm	6 x 6	X	X	X	X	X	-	-	-	-
20mm	6 x 6	X	X	X	X	X	-	-	-	-
22mm	6 x 6	X	X	X	X	X	-	-	-	-
24mm	8 x 7	X*	X	X	X	X	-	-	-	-
25mm	8 x 7	X*	X	X	X	X	X	-	-	-
28mm	8 x 7	X*	X	X	X	X	X	-	-	-
30mm	8 x 7	-	X	X	X	X	X	-	-	-
32mm	10 x 8	-	X	X	X	X	X	-	-	-
35mm	10 x 8	-	X	X	X	X	X	X	-	-
38mm	10 x 8	-	X*	X	X	X	X	X	-	-
40mm	12 x 8	-	X	X	X	X	X	X	-	-
42mm	12 x 8	-	-	X	X	X	X	X	-	-
45mm	14 x 9	-	-	-	X	X	X	X	X	-
48mm	14 x 9	-	-	X	-	X	X	X	X	-
50mm	14 x 9	-	-	-	-	X	X	X	X	X
55mm	16 x 10	-	-	-	-	X	X	X	X	X
60mm	18 x 11	-	-	-	-	X*	X	X	X	X
65mm	18 x 11	-	-	-	-	-	X	X	X	X
70mm	20 x 12	-	-	-	-	-	-	X	X	X
75mm	20 x 12	-	-	-	-	-	-	X	X	X
80mm	22 x 14	-	-	-	-	-	-	X	X	X
85mm	22 x 14	-	-	-	-	-	-	-	X	X
90mm	25 x 14	-	-	-	-	-	-	-	X	X
95mm	25 x 14	-	-	-	-	-	-	-	X	X
100mm	28 x 16	-	-	-	-	-	-	-	-	X
110mm	28 x 16	-	-	-	-	-	-	-	-	X*
115mm	32 x 18	-	-	-	-	-	-	-	-	X*
120mm	32 x 18	-	-	-	-	-	-	-	-	-
130mm	32 x 18	-	-	-	-	-	-	-	-	-
150mm	36 x 20	-	-	-	-	-	-	-	-	-

X= Stock Bore with Standard Keyway

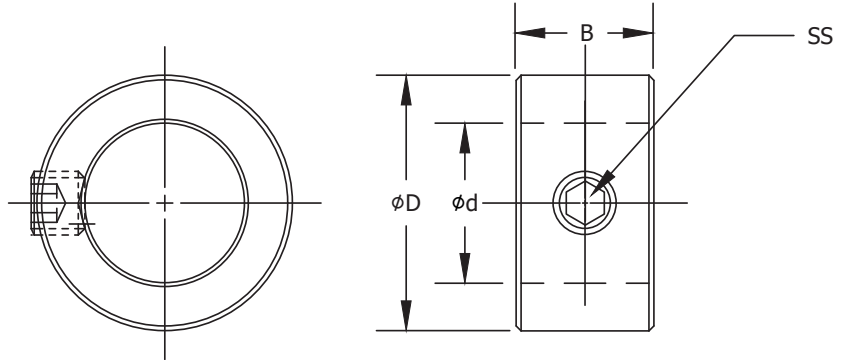
N = Stock Bore with No Keyway

S = Stock Bore with Shallow Keyway; Rectangular Key is furnished to fit standard keyseat

*Bushings with 5/16 x 5/32" Keyway will be shipped unless the 3/8 x 3/16 Keyway is specified on the order.

Set Screw Shaft Collar

- Traditional cost effective design complete with standard hollow point set screw

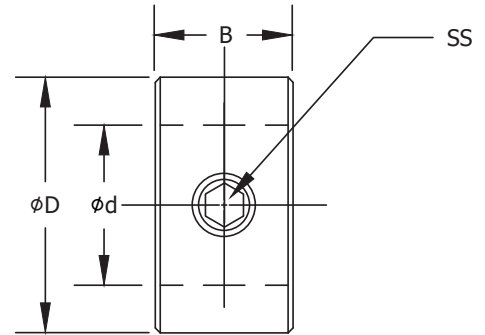
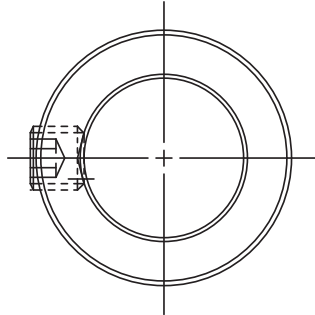


Dimension	Bore	Tolerance
Bore, Inch	Up to 3/16"	+ .0004/+ .003
Bore, Inch	1/4 " to 1 1/8 "	+ .0005/+ .006
Bore, Inch	1 3/16" to 2 15/16"	+ .0006/+ .008
Bore, Inch	Over 3 "	+ .0008/+ .008

Bore Diameter (d)	Outside Diameter (D)	Zinc Plated Steel	Black Oxide Steel	Stainless Steel	Width (B)	Clamp Screw	Weight Lbs
0.1250"	0.3750"	SC1/8-ZP	SC1/8-BO	SC1/8-SS	0.2500"	6-32 x 1/8	0.004
0.1875"	0.4375"	SC3/16-ZP	SC3/16-BO	SC3/16-SS	0.2500"	8-32 x 1/8	0.009
0.2500"	0.5000"	SC1/4-ZP	SC1/4-BO	SC1/4-SS	0.3125"	10-32 x 1/8	0.013
0.3125"	0.6250"	SC5/16-ZP	SC5/16-BO	SC5/16-SS	0.3125"	10-32 x 1/8	0.020
0.3750"	0.7500"	SC3/8-ZP	SC3/8-BO	SC3/8-SS	0.3750"	1/4-20 x 3/16	0.035
0.4375"	0.8750"	SC7/16-ZP	SC7/16-BO	SC7/16-SS	0.4375"	1/4-20 x 1/4	0.056
0.5000"	1.0000"	SC1/2-ZP	SC1/2-BO	SC1/2-SS	0.4375"	1/4-20x 1/4	0.073
0.5625"	1.0000"	SC9/16-ZP	SC9/16-BO	SC9/16-SS	0.4375"	1/4-20x 1/4	0.066
0.6250"	1.1250"	SC5/8-ZP	SC5/8-BO	SC5/8-SS	0.5000"	5/16-18x 1/4	0.097
0.6875"	1.2500"	SC11/16-ZP	SC11/16-BO	SC11/16-SS	0.5625"	5/16-18x 1/4	0.136
0.7500"	1.2500"	SC3/4-ZP	SC3/4-BO	SC3/4-SS	0.5625"	5/16-18x 1/4	0.125
0.8125"	1.3250"	SC13/16-ZP	SC13/16-BO	SC13/16-SS	0.5625"	5/16-18x 1/4	0.133
0.8750"	1.5000"	SC7/8-ZP	SC7/8-BO	SC7/8-SS	0.5625"	5/16-18x 5/16	0.186
0.9375"	1.6250"	SC15/16-ZP	SC15/16-BO	SC15/16-SS	0.5625"	5/16-18x 5/16	0.220
1.0000"	1.6250"	SC1-ZP	SC1-BO	SC1-SS	0.6250"	5/16-18x 5/16	0.228
1.0625"	1.7500"	SC1 1/16-ZP	SC1 1/16-BO	SC1 1/16-SS	0.6250"	5/16-18x 5/16	0.269
1.1250"	1.7500"	SC1 1/8-ZP	SC1 1/8-BO	SC1 1/8-SS	0.6250"	5/16-18x 5/16	2.450
1.1875"	2.0000"	SC1 3/16-ZP	SC1 3/16-BO	SC1 3/16-SS	0.6875"	3/8-16 x 3/8	0.396
1.2500"	2.0000"	SC1 1/4-ZP	SC1 1/4-BO	SC1 1/4-SS	0.6875"	3/8-16 x 3/8	0.372
1.3125"	2.1250"	SC1 5/16-ZP	SC1 5/16-BO	SC1 5/16-SS	0.6875"	3/8-16 x 3/8	0.427
1.3750"	2.1250"	SC1 3/8-ZP	SC1 3/8-BO	SC1 3/8-SS	0.7500"	3/8-16 x 3/8	0.438
1.4375"	2.2500"	SC1 7/16-ZP	SC1 7/16-BO	SC1 7/16-SS	0.7500"	3/8-16 x 3/8	0.499
1.5000"	2.2500"	SC1 1/2-ZP	SC1 1/2-BO	SC1 1/2-SS	0.7500"	3/8-16 x 3/8	0.469
1.5625"	2.5000"	SC1 9/16-ZP	SC1 9/16-BO	SC1 9/16-SS	0.8125"	3/8-16 x 3/8	0.688
1.6250"	2.5000"	SC1 5/8-ZP	SC1 5/8-BO	SC1 5/8-SS	0.8125"	3/8-16 x 3/8	0.652

Chart continues on next page

Set Screw Shaft Collar

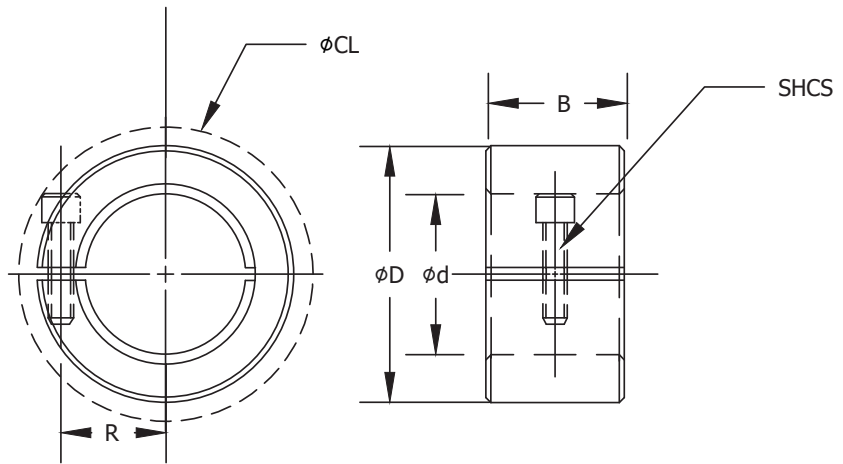


Dimension	Bore	Tolerance
Bore, Inch	Up to 3/16"	+ .0004/+ .003
Bore, Inch	1/4 " to 1 1/8 "	+ .0005/+ .006
Bore, Inch	1 3/16" to 2 15/16"	+ .0006/+ .008
Bore, Inch	Over 3 "	+ .0008/+ .008

Bore Diameter (d)	Outside Diameter (D)	Zinc Plated Steel	Black Oxide Steel	Stainless Steel	Width (B)	Clamp Screw	Weight Lbs
1.6875"	2.5000"	SC1 11/16-ZP	SC1 11/16-BO	SC1 11/16-SS	0.8125"	3/8-16 x 3/8	0.614
1.7500"	2.7500"	SC1 3/4-ZP	SC1 3/4-BO	SC1 3/4-SS	0.8750"	1/2-13 x 1/2	0.745
1.8125"	2.7500"	SC1 13/16-ZP	SC1 13/16-BO	SC1 13/16-SS	0.8750"	1/2-13 x 1/2	0.832
1.8750"	2.7500"	SC1 7/8-ZP	SC1 7/8-BO	SC1 7/8-SS	0.8750"	1/2-13 x 1/2	0.788
1.9375"	3.0000"	SC1 15/16-ZP	SC1 15/16-BO	SC1 15/16-SS	0.8750"	1/2-13 x 1/2	1.027
2.0000"	3.0000"	SC2-ZP	SC2-BO	SC2-SS	0.8750"	1/2-13 x 1/2	0.972
2.1250"	3.0000"	SC2 1/8-ZP	SC2 1/8-BO	SC2 1/8-SS	0.8750"	1/2-13 x 1/2	0.872
2.1875"	3.2500"	SC2 3/16-ZP	SC2 3/16-BO	SC2 3/16-SS	0.9375"	1/2-13 x 1/2	1.203
2.2500"	3.2500"	SC2 1/4-ZP	SC2 1/4-BO	SC2 1/4-SS	0.9375"	1/2-13 x 1/2	1.146
2.3125"	3.2500"	SC2 5/16-ZP	SC2 5/16-BO	SC2 5/16-SS	0.9375"	1/2-13 x 1/2	1.087
2.375"	3.2500"	SC2 3/8-ZP	SC2 3/8-BO	SC2 3/8-SS	0.9375"	1/2-13 x 1/2	1.025
2.4375"	3.5000"	SC2 7/16-ZP	SC2 7/16-BO	SC2 7/16-SS	1.0000"	1/2-13 x 1/2	1.401
2.5000"	3.5000"	SC2 1/2-ZP	SC2 1/2-BO	SC2 1/2-SS	1.0000"	1/2-13 x 1/2	1.333
2.5625"	3.7500"	SC2 9/16-ZP	SC2 9/16-BO	SC2 9/16-SS	1.0000"	1/2-13 x 1/2	1.665
2.6250"	4.0000"	SC2 5/8-ZP	SC2 5/8-BO	SC2 5/8-SS	1.1250"	1/2-13 x 1/2	2.277
2.6875"	4.0000"	SC2 11/16-ZP	SC2 11/16-BO	SC2 11/16-SS	1.1250"	1/2-13 x 1/2	2.193
2.7500"	4.0000"	SC2 3/4-ZP	SC2 3/4-BO	SC2 3/4-SS	1.1250"	1/2-13 x 1/2	2.110
2.8125"	4.0000"	SC2 13/16-ZP	SC2 13/16-BO	SC2 13/16-SS	1.1250"	1/2-13 x 1/2	2.024
2.8750"	4.2500"	SC2 7/8-ZP	SC2 7/8-BO	SC2 7/8-SS	1.1250"	1/2-13 x 1/2	2.451
2.9375"	4.2500"	SC2 15/16-ZP	SC2 15/16-BO	SC2 15/16-SS	1.1250"	1/2-13 x 1/2	2.358
3.0000"	4.2500"	SC3-ZP	SC3-BO	SC3-SS	1.1250"	1/2-13 x 1/2	2.266
3.1875"	4.2500"	SC3 3/16-ZP	SC3 3/16-BO	SC3 3/16-SS	1.1250"	1/2-13 x 1/2	1.877
3.4375"	4.5000"	SC3 7/16-ZP	SC3 7/16-BO	SC3 7/16-SS	1.1250"	1/2-13 x 1/2	2.110
3.5000"	4.5000"	SC3 1/2-ZP	SC3 1/2-BO	SC3 1/2-SS	1.1250"	1/2-13 x 1/2	2.000
3.9375"	5.0000"	SC3 15/16-ZP	SC3 15/16-BO	SC3 15/16-SS	1.1250"	1/2-13 x 1/2	2.374
4.0000"	5.0000"	SC4-ZP	SC4-BO	SC4-SS	1.1250"	1/2-13 x 1/2	2.297

One-Piece Clamp Style Shaft Collar

- Greater axial holding power than set screw collars
- Fully engages without marring the shaft
- Effective on hard or soft shafts

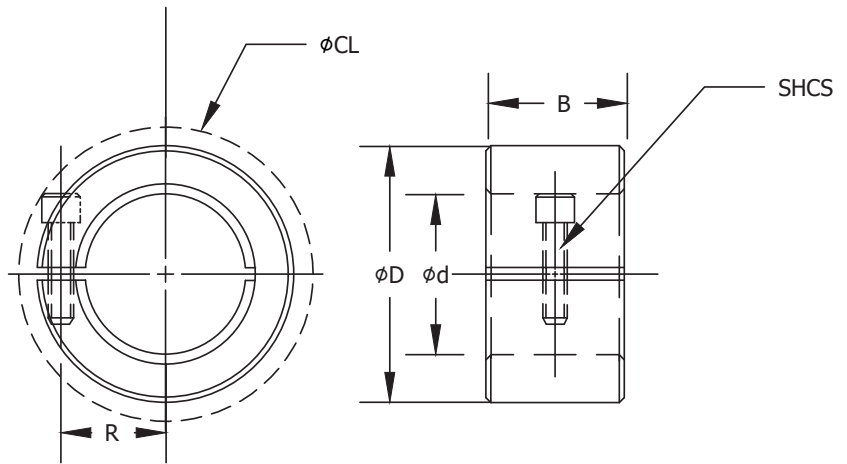


Dimension	Bore	Tolerance
Bore, Inch	Up to 3/16"	+ .0004/+ .003
Bore, Inch	1/4 " to 1 1/8 "	+ .0005/+ .006
Bore, Inch	1 3/16" to 2 15/16"	+ .0006/+ .008
Bore, Inch	Over 3 "	+ .0008/+ .008

Bore Diameter (d)	Outside Diameter (D)	Zinc Plated Steel	Black Oxide Steel	Stainless Steel	Width (B)	Clamp Screw	Weight Lbs
0.1250"	0.5000"	SC1/8S-ZP	SC1/8S-BO	SC1/8S-SS	0.2500"	4-40 x 3/8	0.013
0.1875"	0.6250"	SC3/16S-ZP	SC3/16S-BO	SC3/16S-SS	0.3125"	4-40 x 3/8	0.025
0.2500"	0.6875"	SC1/4S-ZP	SC1/4S-BO	SC1/4S-SS	0.3125"	4-40 x 3/8	0.028
0.3125"	0.6875"	SC5/16S-ZP	SC5/16S-BO	SC5/16S-SS	0.3125"	4-40 x 3/8	0.026
0.3750"	0.8750"	SC3/8S-ZP	SC3/8S-BO	SC3/8S-SS	0.3437"	6-32 x 3/8	0.048
0.4375"	0.9375"	SC7/16S-ZP	SC7/16S-BO	SC7/16S-SS	0.3750"	6-32 x 3/8	0.057
0.5000"	1.1250"	SC1/2S-ZP	SC1/2S-BO	SC1/2S-SS	0.4062"	8-32 x 1/2	0.092
0.6250"	1.3125"	SC5/8S-ZP	SC5/8S-BO	SC5/8S-SS	0.4375"	10-32 x 1/2	0.130
0.7500"	1.5000"	SC3/4S-ZP	SC3/4S-BO	SC3/4S-SS	0.5000	1/4-28 x 5/8	0.187
0.8750"	1.6250"	SC7/8S-ZP	SC7/8S-BO	SC7/8S-SS	0.5000	1/4-28 x 5/8	0.208
0.9375"	1.7500"	SC15/16S-ZP	SC15/16S-BO	SC15/16S-SS	0.5000	1/4-28 x 5/8	0.243
1.0000"	1.7500"	SC1S-ZP	SC1S-BO	SC1S-SS	0.5000	1/4-28 x 5/8	0.229
1.1250"	1.8750"	SC1 1/8S-ZP	SC1 1/8S-BO	SC1 1/8S-SS	0.5000	1/4-28 x 3/4	0.250
1.1875"	2.0625"	SC1 3/16S-ZP	SC1 3/16S-BO	SC1 3/16S-SS	0.5000	1/4-28 x 3/4	0.316
1.2500"	2.0625"	SC1 1/4S-ZP	SC1 1/4S-BO	SC1 1/4S-SS	0.5000	1/4-28 x 3/4	0.299
1.3750"	2.2500"	SC1 3/8S-ZP	SC1 3/8S-BO	SC1 3/8S-SS	0.5625"	1/4-28 x 3/4	0.397
1.4375"	2.2500"	SC1 7/16S-ZP	SC1 7/16S-BO	SC1 7/16S-SS	0.5625"	1/4-28 x 3/4	0.375
1.5000"	2.3750"	SC1 1/2S-ZP	SC1 1/2S-BO	SC1 1/2S-SS	0.5625"	1/4-28 x 3/4	0.424

Chart continues on next page

One-Piece Clamp Style Shaft Collar

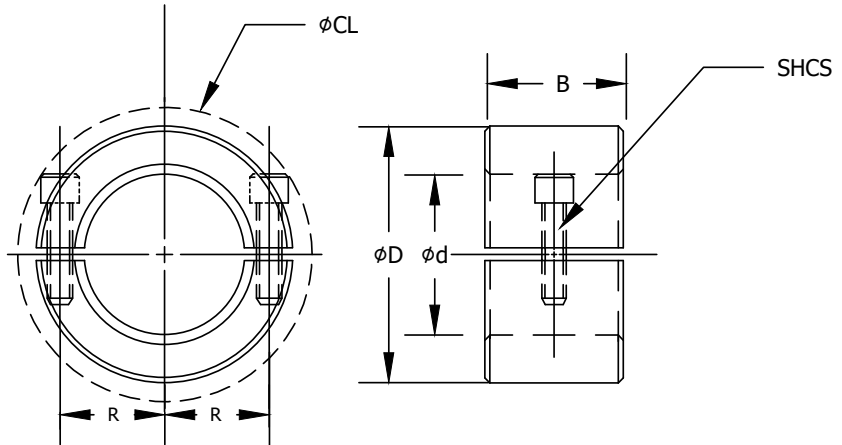


Dimension	Bore	Tolerance
Bore, Inch	Up to 3/16"	+ .0004/+ .003
Bore, Inch	1/4 " to 1 1/8 "	+ .0005/+ .006
Bore, Inch	1 3/16" to 2 15/16"	+ .0006/+ .008
Bore, Inch	Over 3 "	+ .0008/+ .008

Bore Diameter (d)	Outside Diameter (D)	Zinc Plated Steel	Black Oxide Steel	Stainless Steel	Width (B)	Clamp Screw	Weight Lbs
1.7500"	2.7500"	SC1 3/4S-ZP	SC1 3/4S-BO	SC1 3/4S-SS	0.6875"	5/16-24 x 7/8	0.688
1.9375"	3.0000"	SC1 15/16S-ZP	SC1 15/16S-BO	SC1 15/16S-SS	0.6875"	5/16-24 x 7/8	0.802
2.0000"	3.0000"	SC2S-ZP	SC2S-BO	SC2S-SS	0.6875"	5/16-24 x 7/8	0.764
2.0625"	3.1250"	SC2 1/16S-ZP	SC2 1/16S-BO	SC2 1/16S-SS	0.7500"	5/16-24 x 1	0.919
2.1250"	3.2500"	SC2 1/8S-ZP	SC2 1/8S-BO	SC2 1/8S-SS	0.7500"	5/16-24 x 1	1.008
2.1875"	3.2500"	SC2 3/16S-ZP	SC2 3/16S-BO	SC2 3/16S-SS	0.7500"	5/16-24 x 1	0.964
2.2500"	3.2500"	SC2 1/4S-ZP	SC2 1/4S-BO	SC2 1/4S-SS	0.7500"	5/16-24 x 1	0.915
2.3125"	3.3750"	SC2 5/16S-ZP	SC2 5/16S-BO	SC2 5/16S-SS	0.7500"	5/16-24 x 1	1.005
2.3750"	3.5000"	SC2 3/8S-ZP	SC2 3/8S-BO	SC2 3/8S-SS	0.7500"	5/16-24 x 1	1.100
2.4375"	3.5000"	SC2 7/16S-ZP	SC2 7/16S-BO	SC2 7/16S-SS	0.7500"	5/16-24 x 1	1.052
2.5000"	3.7500"	SC2 1/2S-CO	SC2 1/2S-CO	SC2 1/2S-CO	0.8750"	3/8-24 x 7/8	1.520
2.5625"	3.8750"	SC2 9/16S-ZP	SC2 9/16S-BO	SC2 9/16S-SS	0.8750"	3/8-24 x 7/8	1.641
2.6250"	3.8750"	SC2 5/8S-ZP	SC2 5/8S-BO	SC2 5/8S-SS	0.8750"	3/8-24 x 7/8	1.580
2.6875"	4.0000"	SC2 11/16S-ZP	SC2 11/16S-BO	SC2 11/16S-SS	0.8750"	3/8-24 x 7/8	1.707
2.7500"	4.0000"	SC2 3/4S-ZP	SC2 3/4S-BO	SC2 3/4S-SS	0.8750"	3/8-24 x 7/8	1.641
2.8125"	4.2500"	SC2 13/16S-ZP	SC2 13/16S-BO	SC2 13/16S-SS	0.8750"	3/8-24 x 7/8	1.976
2.8750"	4.2500"	SC2 7/8S-ZP	SC2 7/8S-BO	SC2 7/8S-SS	0.8750"	3/8-24 x 7/8	1.905
2.9375"	4.2500"	SC2 15/16S-ZP	SC2 15/16S-BO	SC2 15/16S-SS	0.8750"	3/8-24 x 7/8	1.835
3.0000"	4.2500"	SC3S-ZP	SC3S-BO	SC3S-SS	0.8750"	3/8-24 x 7/8	1.762

Two-Piece Clamp Style Shaft Collar

- Easily installed in complex applications
- Greater holding power than solid set screw or one-piece clamp style collars
- Fully engages without marring the shaft
- Effective on hard or soft shafts

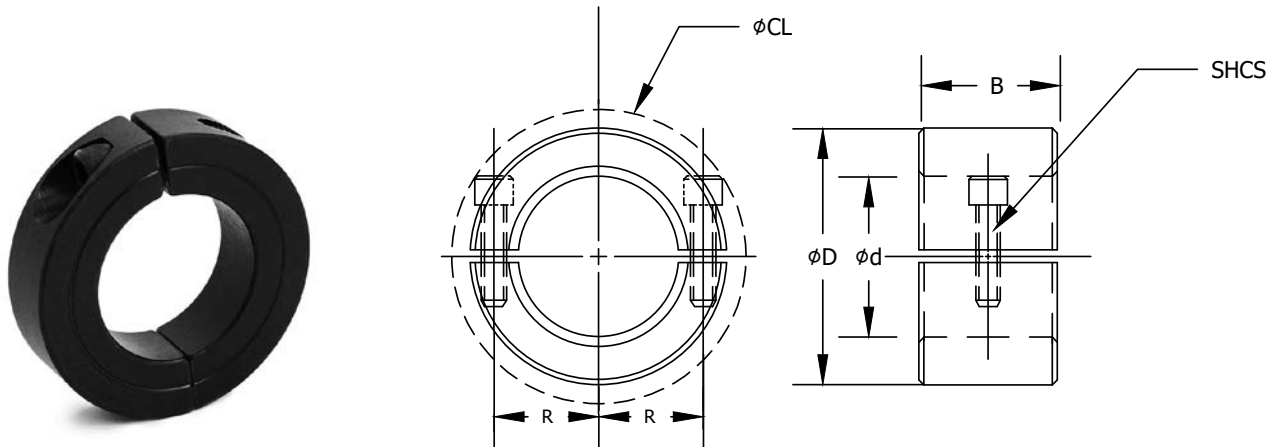


Dimension	Bore	Tolerance
Bore, Inch	Up to 3/16"	+ .0004/+ .003
Bore, Inch	1/4 " to 1 1/8 "	+ .0005/+ .006
Bore, Inch	1 3/16" to 2 15/16"	+ .0006/+ .008
Bore, Inch	Over 3 "	+ .0008/+ .008

Bore Diameter (d)	Outside Diameter (D)	Zinc Plated Steel	Black Oxide Steel	Stainless Steel	Width (B)	Clamp Screw	Weight Lbs
0.2500"	.06875"	SC1/4D-ZP	SC1/4D-BO	SC1/4D-SS	0.3125"	4-40 x 3/8	0.013
0.3125"	.06875"	SC5/16D-ZP	SC5/16D-BO	SC5/16D-SS	0.3125"	4-40 x 3/8	0.026
0.3750"	0.875"	SC3/8D-ZP	SC3/8D-BO	SC3/8D-SS	0.3437"	6-32 x 3/8	0.048
0.4375"	0.9375"	SC7/16D-ZP	SC7/16D-BO	SC7/16D-SS	0.3750"	6-32 x 3/8	0.057
0.5000"	1.125"	SC1/2D-ZP	SC1/2D-BO	SC1/2D-SS	0.4062"	8-32 x 1/2	0.092
0.6250"	1.3125"	SC5/8D-ZP	SC5/8D-BO	SC5/8D-SS	0.4375"	10-32 x 1/2	0.124
0.6875"	1.375"	SC11/16D-ZP	SC11/16D-BO	SC11/16D-SS	0.4375"	10-32 x 1/2	0.138
0.7500"	1.500"	SC3/4D-ZP	SC3/4D-BO	SC3/4D-SS	0.5000"	1/4-28 x 5/8	0.188
0.875"	1.625"	SC7/8D-ZP	SC7/8D-BO	SC7/8D-SS	0.5000"	1/4-28 x 5/8	0.208
0.9375"	1.750"	SC15/16D-ZP	SC15/16D-BO	SC15/16D-SS	0.5000"	1/4-28 x 5/8	0.243
1.0000"	1.750"	SC1D-ZP	SC1D-BO	SC1D-SS	0.5000"	1/4-28 x 5/8	0.229
1.1250"	1.875"	SC1 1/8D-ZP	SC1 1/8D-BO	SC1 1/8D-SS	0.5000"	1/4-28 x 3/4	0.251
1.1875"	2.0625"	SC1 3/16D-ZP	SC1 3/16D-BO	SC1 3/16D-SS	0.5000"	1/4-28 x 7/8	0.317
1.2500"	2.0625"	SC1 1/4D-ZP	SC1 1/4D-BO	SC1 1/4D-SS	0.5000"	1/4-28 x 7/8	0.299
1.3750"	2.250"	SC1 3/8D-ZP	SC1 3/8D-BO	SC1 3/8D-SS	.05625"	1/4-28 x 7/8	0.396
1.4375"	2.250"	SC1 7/16D-ZP	SC1 7/16D-BO	SC1 7/16D-SS	.05625"	1/4-28 x 7/8	0.374
1.5000"	2.375"	SC1 1/2D-ZP	SC1 1/2D-BO	SC1 1/2D-SS	.05625"	1/4-28 x 7/8	0.425
1.6250"	2.625"	SC1 5/8D-ZP	SC1 5/8D-BO	SC1 5/8D-SS	.06875"	5/16-24 x 7/8	0.649
1.6875"	2.750"	SC1 11/16D-ZP	SC1 11/16D-BO	SC1 11/16D-SS	.06875"	5/16-24 x 7/8	0.719
1.7500"	2.625"	SC1 3/4D-ZP	SC1 3/4D-BO	SC1 3/4D-SS	.06875"	5/16-24 x 7/8	0.689

Chart continues on next page

Two-Piece Clamp Style Shaft Collar



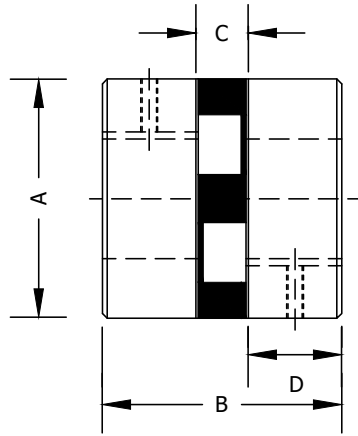
Dimension	Bore	Tolerance
Bore, Inch	Up to 3/16"	+ .0004/+ .003
Bore, Inch	1/4 " to 1 1/8 "	+ .0005/+ .006
Bore, Inch	1 3/16" to 2 15/16"	+ .0006/+ .008
Bore, Inch	Over 3 "	+ .0008/+ .008

Bore Diameter (d)	Outside Diameter (D)	Zinc Plated Steel	Black Oxide Steel	Stainless Steel	Width (B)	Clamp Screw	Weight Lbs
1.8750"	2.875"	SC1 7/8D-ZP	SC1 7/8D-BO	SC1 7/8D-SS	.06875"	5/16-24 x 7/8	0.726
1.9375"	3.000"	SC1 15/16D-ZP	SC1 15/16D-BO	SC1 15/16D-SS	.06875"	5/16-24 x 7/8	0.801
2.0000"	3.000"	SC2D-ZP	SC2D-BO	SC2D-SS	.06875"	5/16-24 x 7/8	0.763
2.1250"	3.250"	SC2 1/8D-ZP	SC2 1/8D-BO	SC2 1/8D-SS	0.7500"	5/16-24 x 7/8	1.008
2.1875"	3.250"	SC2 3/16D-ZP	SC2 3/16D-BO	SC2 3/16D-SS	0.7500"	5/16-24 x 7/8	0.964
2.2500"	3.250"	SC2 1/4D-ZP	SC2 1/4D-BO	SC2 1/4D-SS	0.7500"	5/16-24 x 7/8	0.917
2.3125"	3.375"	SC2 5/16D-ZP	SC2 5/16D-BO	SC2 5/16D-SS	0.7500"	5/16-24 x 7/8	1.008
2.3750"	3.500"	SC2 3/8D-ZP	SC2 3/8D-BO	SC2 3/8D-SS	0.7500"	5/16-24 x 7/8	1.102
2.4375"	3.500"	SC2 7/16D-ZP	SC2 7/16D-BO	SC2 7/16D-SS	0.7500"	5/16-24 x 7/8	1.052
2.5000"	3.500"	SC2 1/2D-ZP	SC2 1/2D-BO	SC2 1/2D-SS	0.8750"	3/8-24 x 7/8	1.520
2.5625"	3.875"	SC2 9/16D-ZP	SC2 9/16D-BO	SC2 9/16D-SS	0.8750"	3/8-24 x 7/8	1.641
2.6875"	4.000"	SC2 11/16D-ZP	SC2 11/16D-BO	SC2 11/16D-SS	0.8750"	3/8-24 x 7/8	1.707
2.7500"	4.000"	SC2 3/4D-ZP	SC2 3/4D-BO	SC2 3/4D-SS	0.8750"	3/8-24 x 7/8	1.641
2.8750"	4.250"	SC2 7/8D-ZP	SC2 7/8D-BO	SC2 7/8D-SS	0.8750"	3/8-24 x 7/8	1.976
2.9375"	4.250"	SC2 15/16D-ZP	SC2 15/16D-BO	SC2 15/16D-SS	0.8750"	3/8-24 x 7/8	1.835
3.0000"	4.250"	SC3D-ZP	SC3D-BO	SC3D-SS	0.8750"	3/8-24 x 7/8	1.762
3.1875"	4.500"	SC3 3/16D-ZP	SC3 3/16D-BO	SC3 3/16D-SS	0.8750"	3/8-24 x 7/8	1.962
3.4375"	4.750"	SC3 7/16D-ZP	SC3 7/16D-BO	SC3 7/16D-SS	0.8750"	3/8-24 x 7/8	2.090
3.5000"	4.750"	SC3 1/2D-ZP	SC3 1/2D-BO	SC3 1/2D-SS	0.8750"	3/8-24 x 7/8	2.006
3.9375"	5.250"	SC3 15/16D-ZP	SC3 15/16D-BO	SC3 15/16D-SS	0.8750"	3/8-24 x 7/8	2.345

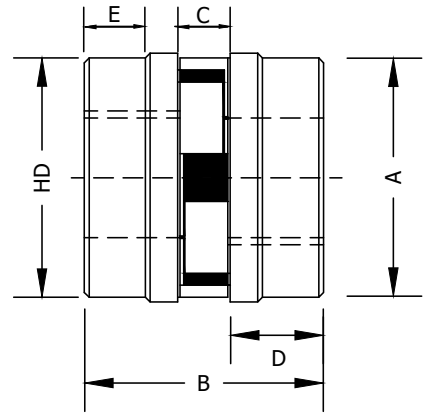
L Series Jaw Couplings

TRITAN Jaw Couplings provide standard shaft-to-shaft connection for general duty applications. Two hubs are used in pair with elastomer element (spider), each sold separately. The element eliminates metal-to-metal contact and acts as a shock absorber. The design is "fail-safe" in that it will still perform if elastomer element fails.

Produced with a black oxidized finish, these couplings are resistant to sand, dirt, oil and grease.



TYPE 1



TYPE 2



Part No.	Type	A	B	C	D	E	HD	Set Screw	Set Screw Qty
L035	1	0.625	0.813	0.281	0.266			6# 32-1/8	1
L050	1	1.063	1.72	0.47	0.625			1/4-20x3/16	1
L070	1	1.36	2	0.5	0.75			1/4-20x1/4	1
L075	1	1.75	2.125	0.5	0.8125			1/4-20x3/8	1
L090	1	2.11	2.125	0.5	0.8125			5/16-18x3/8	2
L095	1	2.11	2.5	0.5	1			5/16-18x3/8	2
L099	1	2.531	2.875	0.749	1.063			5/16-18x3/8	2
L100	1	2.531	3.5	0.75	1.375			5/16-18x3/8	2
L110	1	3.32	4.25	0.876	1.687			3/8-16x5/16	2
L150	1	3.75	4.5	1	1.75			3/8-16x5/16	2
L190	2	4.5	5.25	1	2.125	1.34	4	1/2-13x1/2	2
L225	2	5	6	1	2.5	1.733	4.25	1/2-13x1/2	2

TRITAN[®]
BEARINGS & PT COMPONENTS

is now part of

SOLVE [®]
INDUSTRIAL MOTION GROUP

Solve Industrial Motion Group is your go-to resource for precision bearings and power transmission components. Find out how Solve and its product brands can help you meet even your most challenging power transmission applications.



Visit
SolveIndustrial.com

