



SOLUTIONS BY SOLVE »»

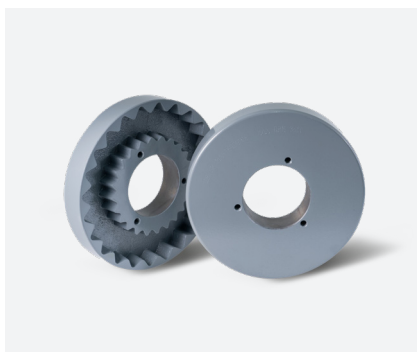
# MD FLEX COUPLINGS



**IN STOCK + READY TO SHIP**

# WE HAVE THE FLEX COUPLINGS YOU NEED

- Available in sizes 3–14 in finished bores, both inch and metric
- Quick and easy installation
- No lubrication or maintenance required
- Allows for 4-way flexing (parallel, angular, torsional and axial)
- Smooth and quiet performance
- Sizes 3–5J and 5S are made from powdered metal, while sizes 6–14 are made from cast iron
- **Type E elements with retaining ring also available**



Type B Coupling



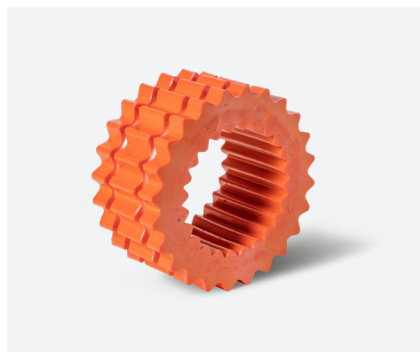
Type J Coupling



Type S Coupling



Neoprene Solid Insert



Hytrel Solid Insert



EPDM Solid Insert



Neoprene Split Insert



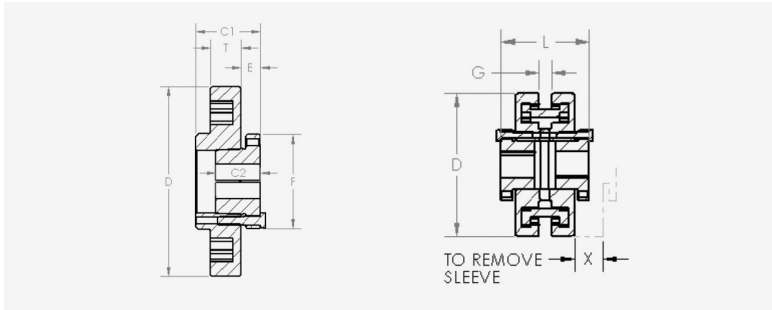
Hytrel Split Insert



EPDM Split Insert

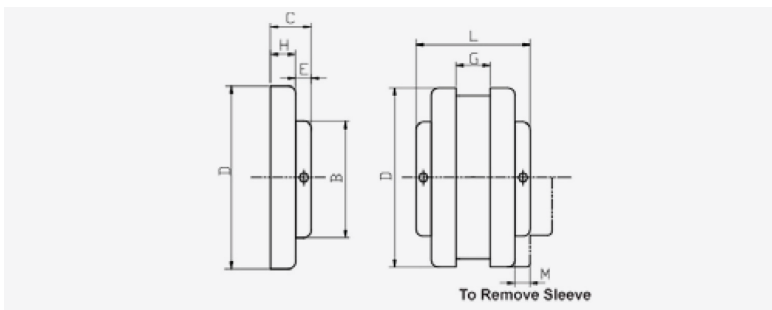
# MD FLEX COUPLING HUBS

## MD Flex Couplings - Type B



Flange Size	Maximum bore (with keyseat)	Dimensions (in)										Weight (lbs)
		Bushing	C1	C2	D	E	F	G	L	T	X	
6B	1 1/4	JA	1 7/16	1	4.000	15/32	2	7/8	3 3/8	25/32	1 3/32	1.4
7B	1 1/4	JA	1 5/8	1	4.625	15/32	2	1	3 1/2	25/32	1 5/16	1.9
8B	1 5/8	SH	1 29/32	1 1/4	5.450	9/16	2 11/16	1 1/8	4 1/16	29/32	1 1/2	2.9
9B	1 15/16	SD	2 1/4	1 13/16	6.350	5/8	3 3/16	1 7/16	4 3/4	1 1/32	1 3/4	4.8
10B	2 1/2	SK	1 15/16	1 7/8	7.500	23/32	3 7/8	1 5/8	5 1/2	1 7/32	2	7.8
11B	2 15/16	SF	2 3/16	2	8.625	11/16	4 5/8	1 7/8	6 1/4	1 1/2	2 3/8	12
12B	3 1/2	E	2 23/32	2 5/8	10.000	29/32	6	2 5/16	7 1/2	1 11/16	2 11/16	18
13B	3 15/16	F	3 3/4	3 5/8	11.750	1 1/16	6 5/8	2 11/16	8 3/4	1 31/32	3	31.2
14B	3 15/16	F	3 3/4	3 5/8	13.875	1 1/16	6 5/8	3 1/4	9 7/8	2 1/4	3 1/2	51.4

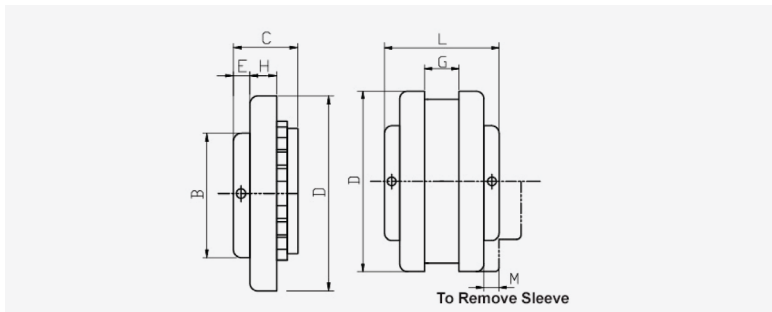
## MD Flex Couplings - Type J



Flange Size	Bore Sizes Available (in)	Bore Sizes Available (mm)	Dimensions (in)								Weight (lbs)
			D	C	E	G	B	L	H	M	
3J	3/8, 1/2, 5/8, 3/4, 7/8	11, 12, 14, 15, 16, 19	2.063	13/16	7/16	3/8	1 1/2	2	3/8	9/16	0.3
4J	1/2, 5/8, 3/4, 7/8, 15/16, 1	14, 15, 16, 19, 20, 24, 25	2.461	7/8	7/16	5/8	1 5/8	2 3/8	7/16	3/4	0.4
5J	1/2, 5/8, 3/4, 7/8, 15/16, 1, 1 1/8		3.252	1 1/16	15/32	3/4	1 7/8	2 7/8	19/32	31/32	0.9
6J	5/8, 3/4, 7/8, 15/16, 1, 1 1/8, 1 3/16, 1 1/4, 1 3/8		4.000	1 7/32	19/32	7/8	1 5/16	3 5/16	5/8	1 3/32	1.2

Material: 3J-5J Powdered Metal, 6J Cast Iron

## MD Flex Couplings - Type S



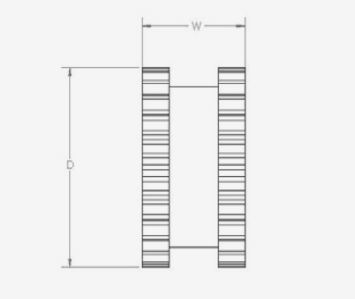
Flange Size	Type	Bore Sizes Available (in)	Bore Sizes Available (mm)	Dimensions (in)								Weight (lbs)
				D	C	E	G	B	L	H	M	
5S		5/8, 3/4, 13/16, 7/8, 15/16, 1, 1 1/16, 1 1/8, 1 3/16, 1 1/4	14, 15, 16, 19, 20, 24, 25, 28	3.252	1 11/32	29/64	3/4	1 7/8	2 27/32	19/32	31/32	1.1
6S	1	15/16, 1, 1 1/16, 1 1/8, 1 3/16, 1 1/4, 1 5/16, 1 3/8, 1 7/16, 1 1/2	15, 19, 20, 24, 25, 28, 30, 32, 35, 38	4.000	1 5/8	9/16	7/8	2 1/2	3 9/16	25/32	1	1.9
	2	1 5/8, 1 3/4	N/A	4.000	1 5/16	9/16	7/8	2 1/2	3 9/16	25/32	1 3/32	1.8
	3	1 7/8	N/A	4.000	1 9/16	25/32	7/8	2 13/16	4 1/16	25/32	1 3/32	1.8
7S		3/4, 7/8, 15/16, 1, 1 1/16, 1 1/8, 1 3/16, 1 1/4, 1 5/16, 1 3/8, 1 7/16, 1 1/2, 1 5/8	19, 24, 25, 28, 30, 32, 35, 38, 42	4.625	1 27/32	11/16	1	2 13/16	3 15/16	25/32	1 5/16	2.6
8S	1	7/8, 15/16, 1, 1 1/16, 1 1/8, 1 3/16, 1 1/4, 1 5/16, 1 3/8, 1 7/16, 1 1/2, 1 9/16, 1 5/8, 1 11/16, 1 3/4, 1 7/8, 1 15/16, 2, 2 1/16, 2 1/8	24, 28, 30, 32, 38, 42, 45, 48	5.449	2 3/32	3/4	1 1/8	3 1/4	4 7/16	29/32	1 1/2	4.4
	2	2 3/8		5.449	1 15/16	1 1/32	1 1/8	3 1/4	5	29/32	1 1/2	3.7
9S	1	15/16, 1, 1 1/16, 1 1/8, 1 1/4, 1 3/8, 1 7/16, 1 1/2, 1 9/16, 1 5/8, 1 11/16, 1 3/4, 1 7/8, 1 15/16, 2, 2 1/16, 2 1/8, 2 3/16, 2 1/4, 2 3/8, 2 1/2	24, 30, 32, 38, 42, 45, 48	6.350	2 13/32	25/32	17/16	3 5/8	5 1/16	1 1/32	1 3/4	6.8
	2	2 7/8	N/A	6.350	2 9/32	1 1/4	17/16	4 1/8	6	1 1/32	1 3/4	6.2
10S		1 1/8, 1 1/4, 1 3/8, 1 7/16, 1 1/2, 1 9/16, 1 5/8, 1 11/16, 1 3/4, 1 7/8, 1 15/16, 2, 2 1/16, 2 1/8, 2 3/16, 2 1/4, 2 3/8, 2 7/16, 2 1/2, 2 5/8, 2 3/4, 2 7/8, 3	30, 32, 35, 38, 42, 45, 48, 50, 52, 55, 60	7.500	2 21/32	13/16	1 5/8	4 3/8	5 11/16	1 7/32	2	10.5
11S	1	1 1/4, 1 3/8, 1 7/16, 1 1/2, 1 5/8, 1 3/4, 1 7/8, 2, 2 1/16, 2 1/8, 2 1/4, 2 3/8, 2 5/8, 2 3/4, 2 7/8, 3, 3 3/8, 3 7/16	38, 42, 45, 48, 52, 60, 70, 80	8.625	3 7/16	1 1/8	1 7/8	5 1/4	7 1/8	1 1/2	2 3/8	16.6
	2	3 7/8	N/A	8.625	3 1/16	1 9/16	1 7/8	5 5/8	8	1 1/2	2 3/8	16.4
12S		1 5/8, 1 3/4, 1 7/8, 2 1/16, 2 1/8, 2 3/8, 2 5/8, 2 3/4, 2 7/8, 3 3/8, 3 7/16, 3 5/8, 3 7/8	50, 60, 65, 70, 80, 90	10	4	1 9/32	2 5/16	5 3/4	8 1/4	1 11/16	2 11/16	26.6
13S		2 1/8, 2 3/8, 2 7/8, 3 3/8, 3 7/16, 3 15/16	N/A	11.750	4 3/8	1 5/16	2 11/16	6 3/4	9 1/4	1 31/32	3 1/16	45.2
14S		2 7/8, 3 7/8	N/A	13.875	4 1/2	1 1/16	3 1/4	7 1/2	9 7/8	2 1/4	3 1/2	69.1

Material: 5S Powdered Metal, 6S-14S Cast Iron

To order, combine Flange Size and Bore Size as listed above (ex: 6S-1 1/8 or 10S-45mm)

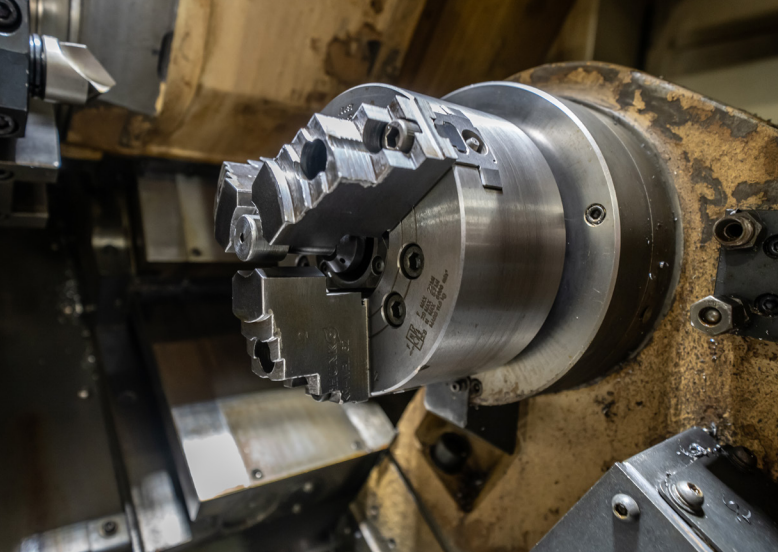
# MD FLEX COUPLING SLEEVES

## MD Flex Couplings Sleeves



Shape	Part Number Suffix	Material	Coupling Sizes Available	Typical Use	Rel. Rating	Wind-Up Angular	Misalignment	Operating Temperature (F)
1 Piece Unsplit	JE	EPDM	3, 4, 5, 6, 7, 8, 9, 10	General Purpose	1X	15°	1°	-30° to +272°
1 Piece Unsplit	JN	Neoprene	3, 4, 5, 6, 7, 8	Oil Resistant (Non-flame)	1X	15°	1°	0° to +200°
1 Piece Unsplit	H	Hytrel	6, 7, 8, 9, 10	General Purpose	4X	7°	1/4°	-65° to +250°
1 Piece Split	JES	EPDM	3, 4, 5, 6, 7, 8, 9, 10	General Purpose	1X	15°	1°	-30° to +272°
1 Piece Split	JNS	Neoprene	3, 4, 5, 6, 7, 8	Oil Resistant (Non-flame)	1X	15°	1°	0° to +200°
2 Pieces	HS	Hytrel	6, 7, 8, 9, 10	General Purpose	4X	7°	1/4°	-65° to +250°
2 Pieces	E	EPDM	3, 4, 5, 6, 7, 8, 9, 10	General Purpose	1X	15°	1°	-30° to +272°
2 Pieces	N	Neoprene	3, 4, 5, 6, 7, 8	Oil Resistant (Non-flame)	1X	15°	1°	0° to +200°





## QUALITY, SERVICE + COMMITMENT

As an international manufacturer and supplier, MasterDrive proudly serves the power transmission industry throughout North America, Latin America and South America. Our parts are distributed from multiple locations in the U.S. and Canada. We offer web services, engineering assistance and unbeatable centralized customer service.

## UNPARALLELED CUSTOMER SERVICE

Our centralized customer service guarantees you will speak directly to one of our highly-trained representatives every time you call. With ongoing product training, our representatives can provide you with accurate technical support.

### Complete Manufacturing + Engineering Support

In addition to our full line of power transmission products, MasterDrive offers foundry and machining options for all types of gray and ductile iron MTO items.

### Commitment to Distributors + OEMs

We promise to serve and protect every distributor's customer base and the OEM marketplace across multiple industries:

- Air Handling & HVAC/R
- Aggregate
- Wood Handling
- Power Generators/Engine
- Oil & Mining
- Agricultural Equipment
- Air & Fluid Handling/Pumping
- Construction



# POWER TRANSMISSION PRODUCTS

---

MasterDrive is your partner for power transmission products. We can help you with:

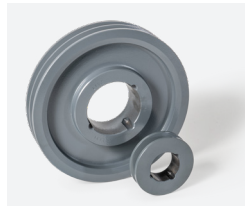
- **Service** — We understand your industrial distribution needs and are ready to meet them with responsive customer service, a broad sales and distribution network, and local inventory through our 10 warehouses.
- **Availability** — Our warehouses are monitored and restocked using a logistics ordering system ensuring that you get the product you need.
- **Speed** — 95% of orders are processed the same day.
- **Quality** — From the selection and certification of raw materials used by our foundry operations through our exacting machining, balancing, and warehousing, our Quality Management System is in compliance with ISO 9001:2015.



QD Sheaves



DST Sheaves



TB Sheaves



BTS Sheaves



QD Bushings



DST Bushings



TB Bushings



HTD Timing Pulleys



L & H Timing Pulleys



BCS Couplings



Jaw Couplings



MD Flex Couplings



Weld-On Hubs



V-Belts



Timing Belts



**SCAN FOR MORE INFORMATION  
ON MD FLEX COUPLINGS.**

**SOLVE**   
INDUSTRIAL MOTION GROUP

 **MASTERDRIVE**

MasterDrive is part of Solve Industrial Motion Group, an industry-leading manufacturer and supplier of precision bearings and power transmission components.

**Toll Free Phone:** 888-922-8767

**Phone:** 920-563-5838

**Fax:** 920-563-5650

**E-mail:** [md.orders@solveindustrial.com](mailto:md.orders@solveindustrial.com)

**[masterdrives.com](http://masterdrives.com)**

©2023 MasterDrive Inc. 02/24



Proudly distributed by:

